



US00D701950S

(12) **United States Design Patent**  
**Chan**

(10) **Patent No.:** **US D701,950 S**  
(45) **Date of Patent:** **\*\* Apr. 1, 2014**

(54) **CEILING ELECTRONIC HEATER**

(56)

**References Cited**

(71) Applicant: **Perfect Union Co., Ltd.**, New Taipei  
(TW)

(72) Inventor: **Ching Chan**, New Taipei (TW)

(73) Assignee: **Perfect Union Co., Ltd.**, New Taipei  
(TW)

(\*\*) Term: **14 Years**

(21) Appl. No.: **29/452,648**

(22) Filed: **Apr. 19, 2013**

(51) **LOC (10) Cl.** ..... **23-03**

(52) **U.S. Cl.**  
USPC ..... **D23/342**

(58) **Field of Classification Search**  
USPC ..... D23/314, 323, 330, 386, 499, 353, 393,  
D23/342; 165/499, 450, 152, 182, DIG. 501,  
165/176, 165; 454/309, 275-277, 284,  
454/287-289

See application file for complete search history.

U.S. PATENT DOCUMENTS

D323,209 S *	1/1992	Fukumoto et al. ....	D23/351
D452,906 S *	1/2002	Peng .....	D23/370
D466,598 S *	12/2002	Shih-Ying .....	D23/335
D590,927 S *	4/2009	Park .....	D23/314
D590,928 S *	4/2009	Park .....	D23/314
D635,238 S *	3/2011	Zakula et al. ....	D23/388

\* cited by examiner

*Primary Examiner* — T. Chase Nelson

*Assistant Examiner* — Ania Aman

(74) *Attorney, Agent, or Firm* — Jackson IPG PLLC

(57)

**CLAIM**

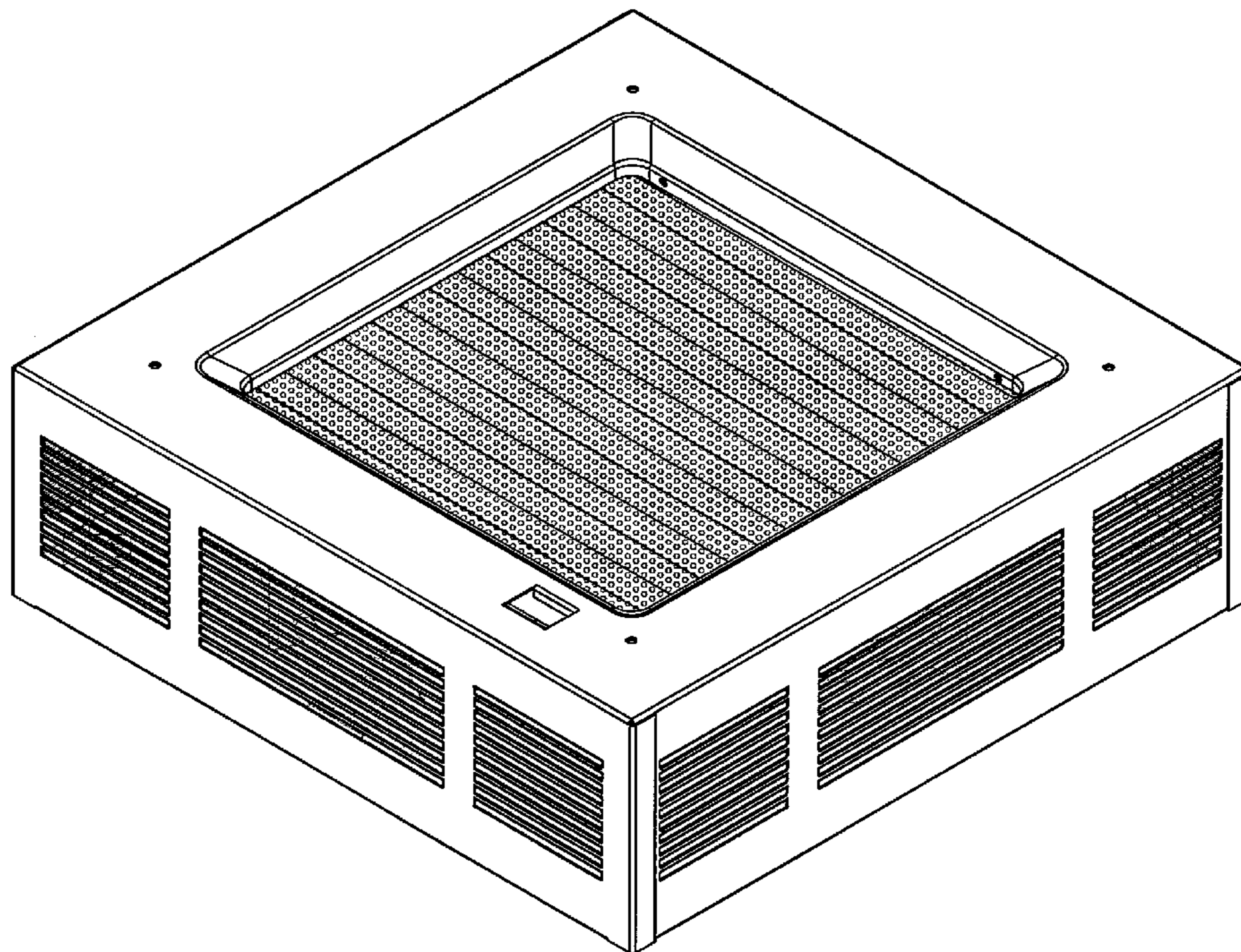
The ornamental design for a ceiling electronic heater, as shown and described.

**DESCRIPTION**

FIG. 1 is a top front and left side perspective view of ceiling electronic heater showing my new design; FIG. 2 is a front elevational view thereof; FIG. 3 is a rear elevational view thereof; FIG. 4 is a left side elevational view thereof; FIG. 5 is a right side elevational view thereof; FIG. 6 is a top plan view thereof; and, FIG. 7 is a bottom plan view thereof.

Those portions of the illustrated design indicated by broken lines form no part of the claimed design.

**1 Claim, 5 Drawing Sheets**



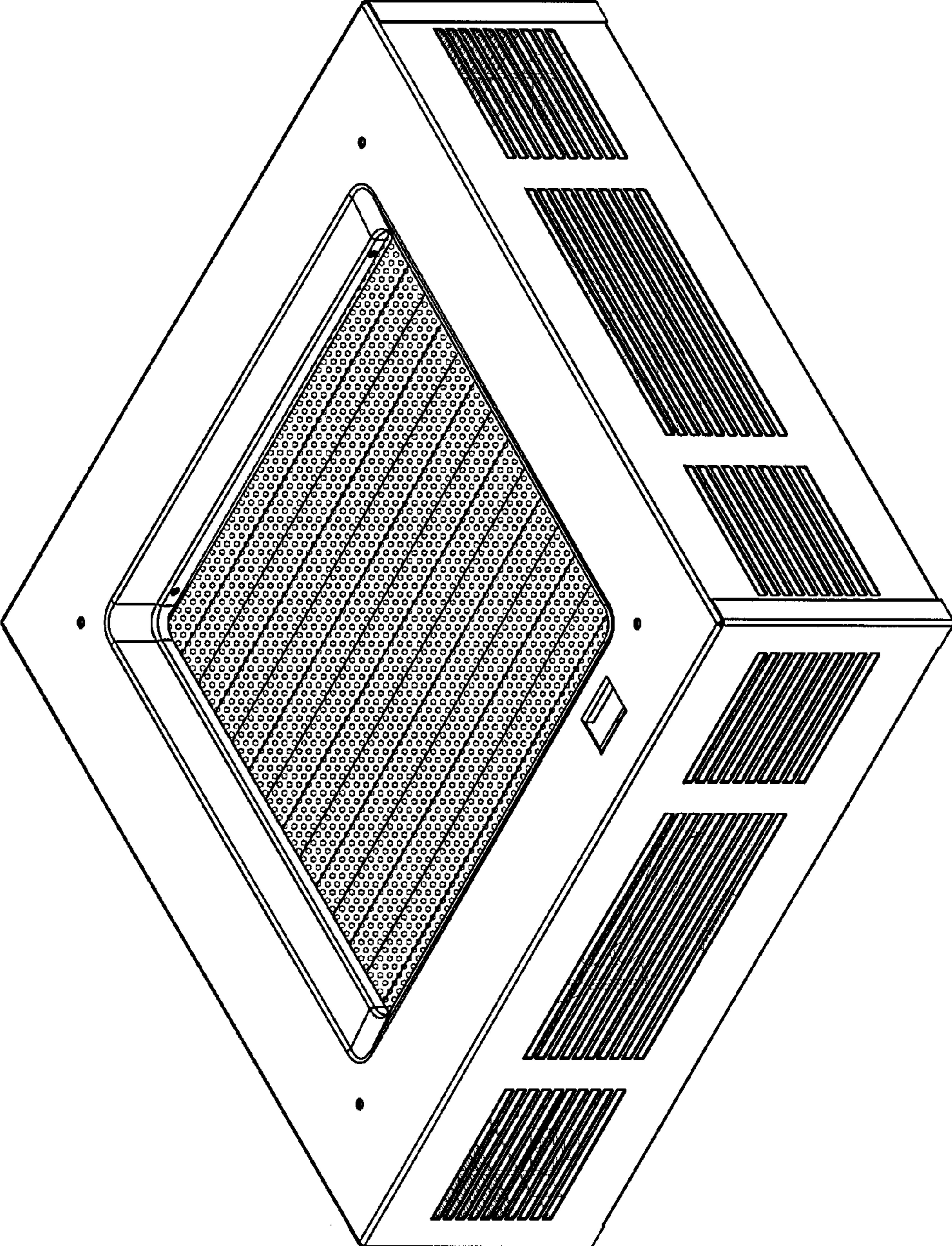
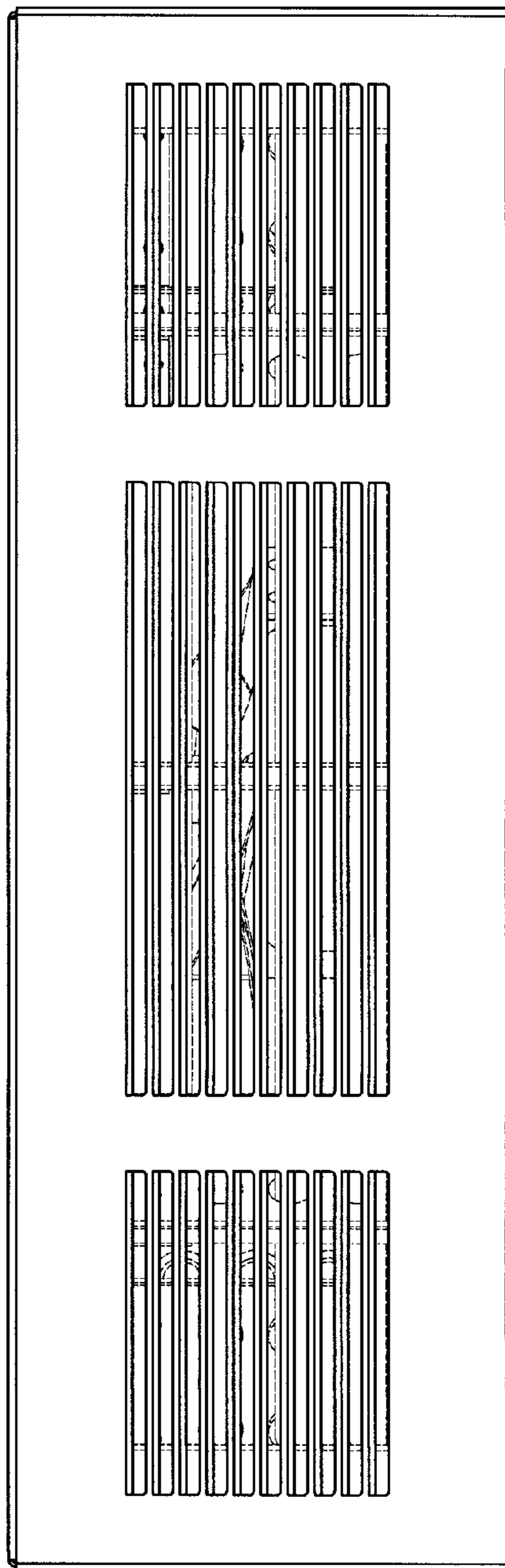
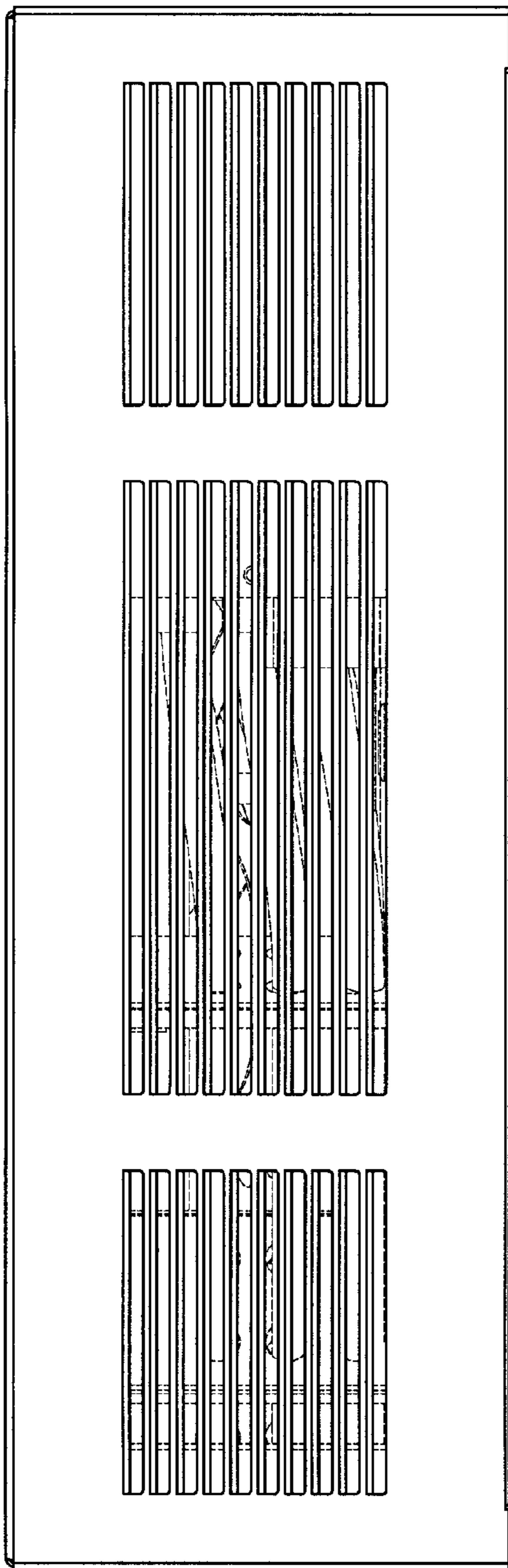


Fig. 1



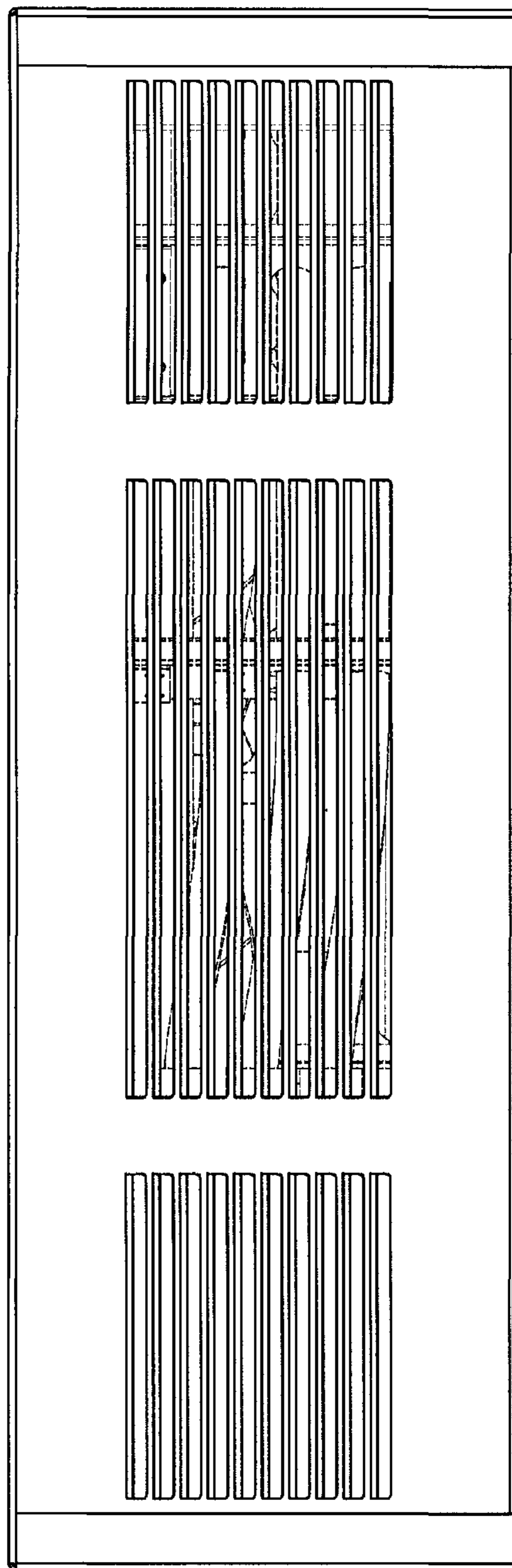


Fig. 4

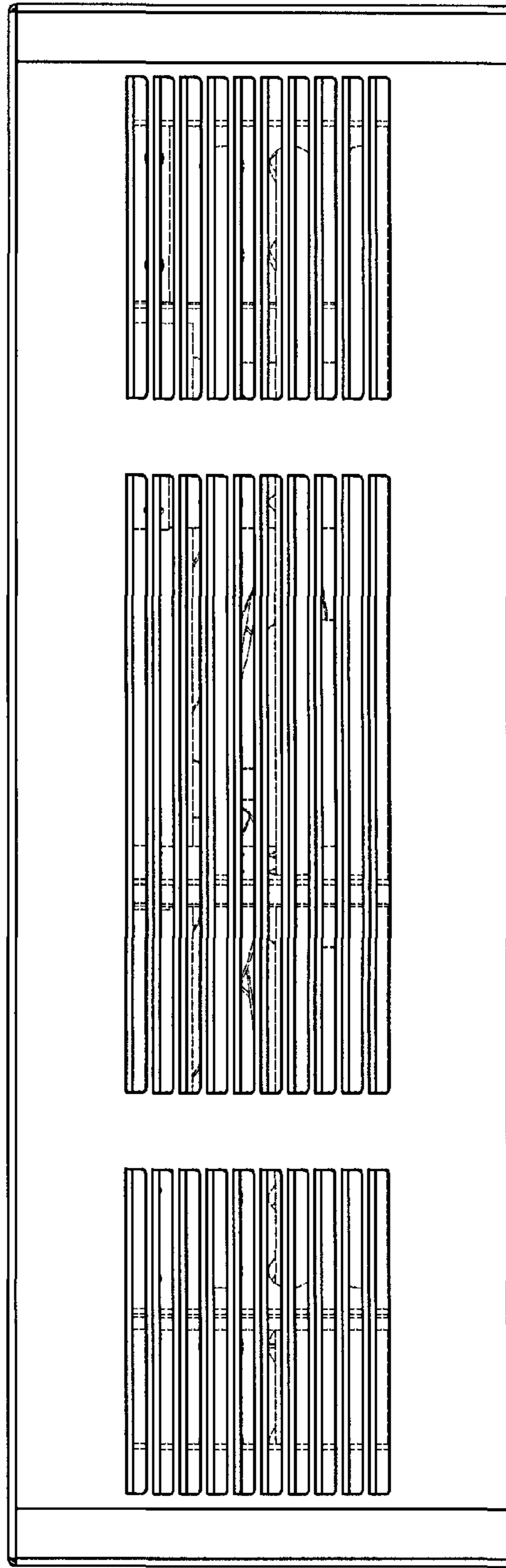


Fig. 5

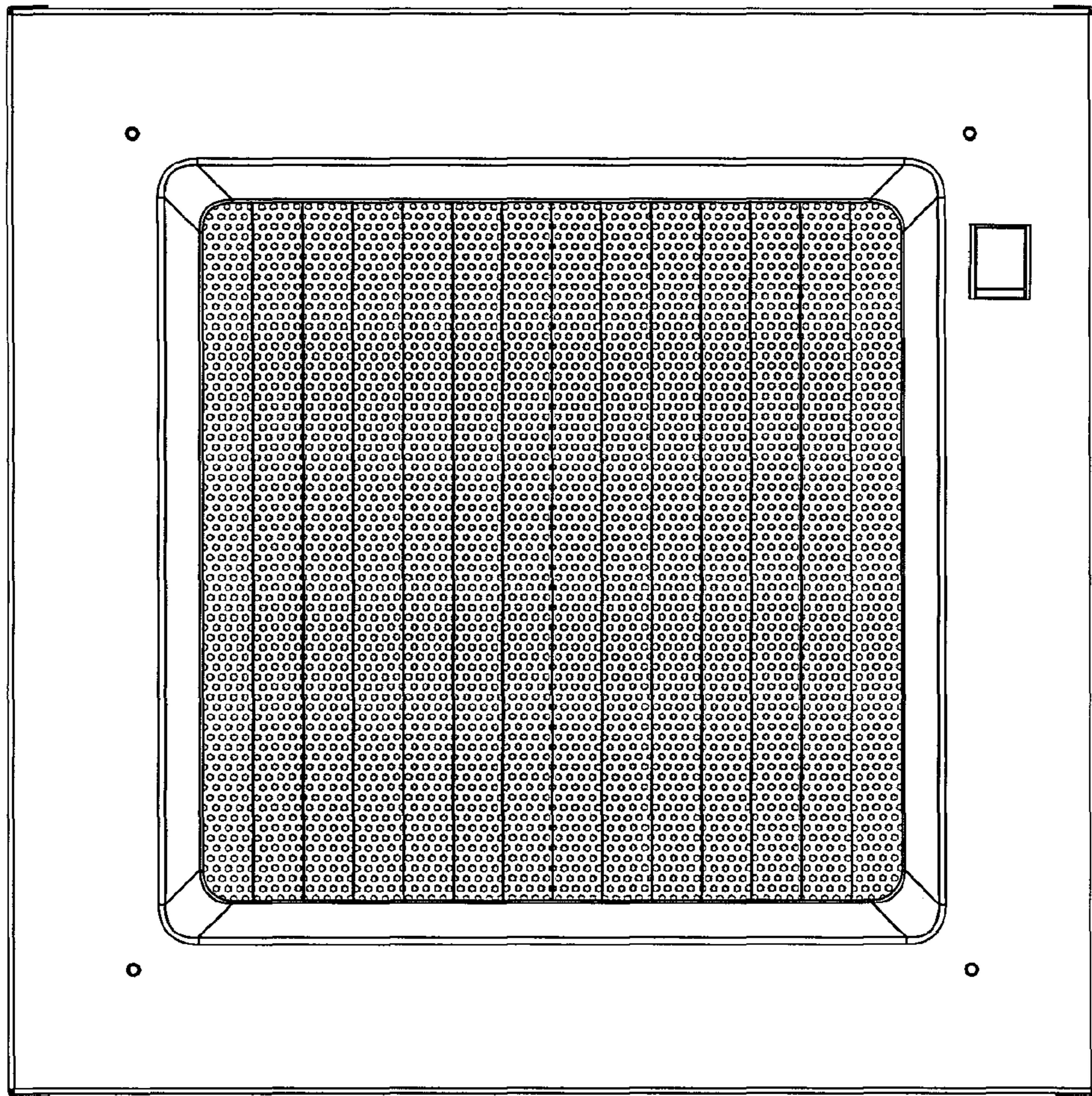


Fig. 6

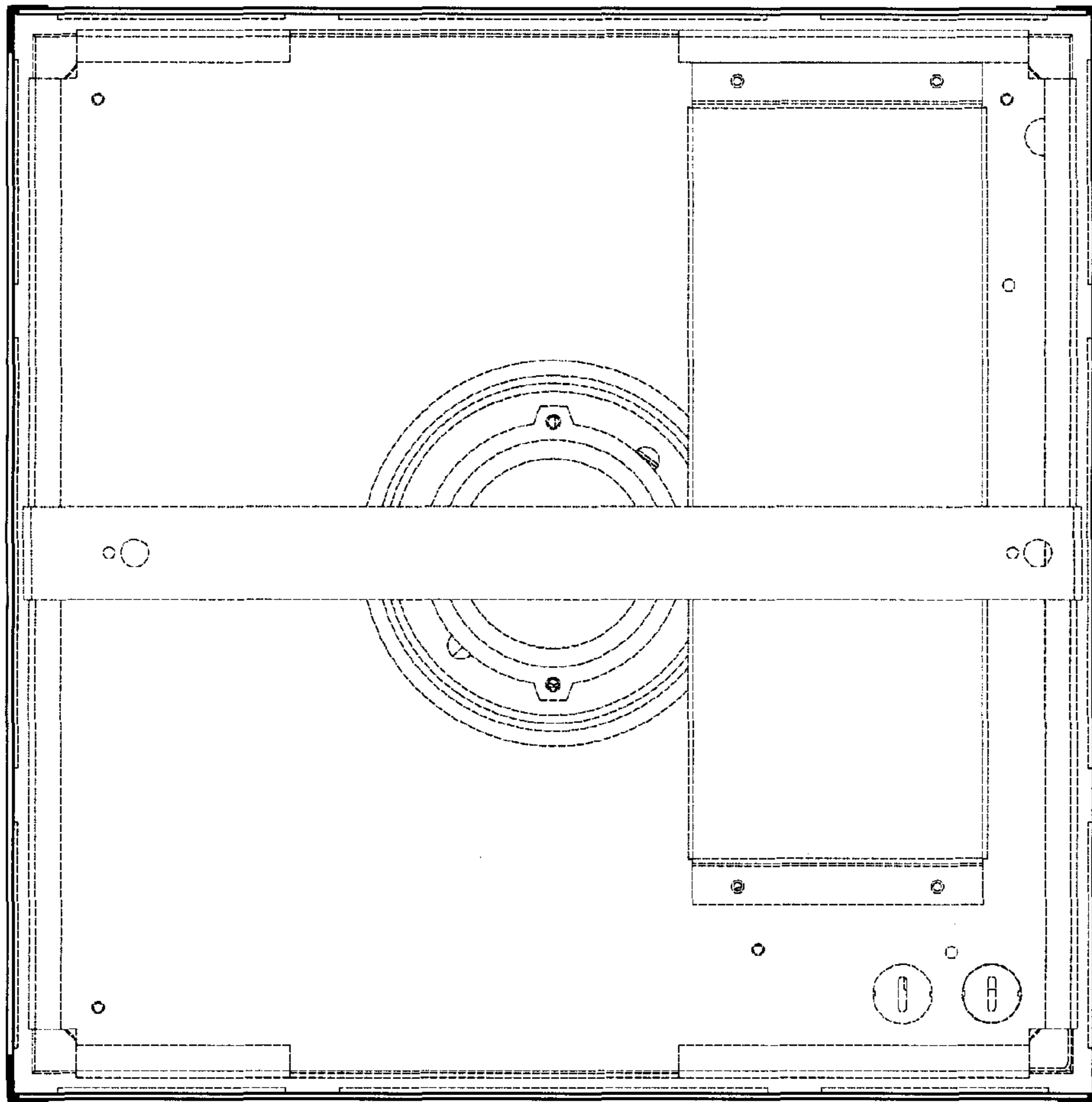


Fig. 7