



US00D701949S

(12) **United States Design Patent**
Bates et al.

(10) **Patent No.:** **US D701,949 S**
(45) **Date of Patent:** **** Apr. 1, 2014**

(54) **TOILET**

FOREIGN PATENT DOCUMENTS

(71) Applicant: **Kohler Co.**, Kohler, WI (US)
(72) Inventors: **Michael R. Bates**, Kohler, WI (US);
Herbert V. Kohler, Jr., Kohler, WI (US)

JP D1335527 6/2009
JP D1382322 3/2010
JP D1336299 7/2011

(73) Assignee: **Kohler Co.**, Kohler, WI (US)

OTHER PUBLICATIONS

<http://www.sz-wholesaler.com/usering/1172/1187sw1/wall---hung-toilet-528.jpg> (1pg).

(**) Term: **14 Years**

(Continued)

(21) Appl. No.: **29/469,480**

Primary Examiner — Robert Delehanty
(74) *Attorney, Agent, or Firm* — Foley & Lardner LLP

(22) Filed: **Oct. 10, 2013**

(57) **CLAIM**

We claim the ornamental design for a toilet, as shown and described.

Related U.S. Application Data

DESCRIPTION

(62) Division of application No. 29/448,058, filed on Mar. 8, 2013, now Pat. No. Des. 693,910.

(51) **LOC (10) Cl.** **23-02**

(52) **U.S. Cl.**

USPC **D23/295**

(58) **Field of Classification Search**

USPC D23/295, 301, 309, 300, 311; 4/300,
4/420, 234, 237, 239, 242.1

See application file for complete search history.

FIG. 1 is a perspective view of an embodiment of the claimed design;
FIG. 2 is a front view of the embodiment of the claimed design shown in FIG. 1;
FIG. 3 is a rear view of the embodiment of the claimed design shown in FIG. 1;
FIG. 4 is a side view of the embodiment of the claimed design shown in FIG. 1;
FIG. 5 is another side view of the embodiment of the claimed design shown in FIG. 1;
FIG. 6 is top view of the embodiment of the claimed design shown in FIG. 1; and,
FIG. 7 is bottom view of the embodiment of the claimed design shown in FIG. 1.

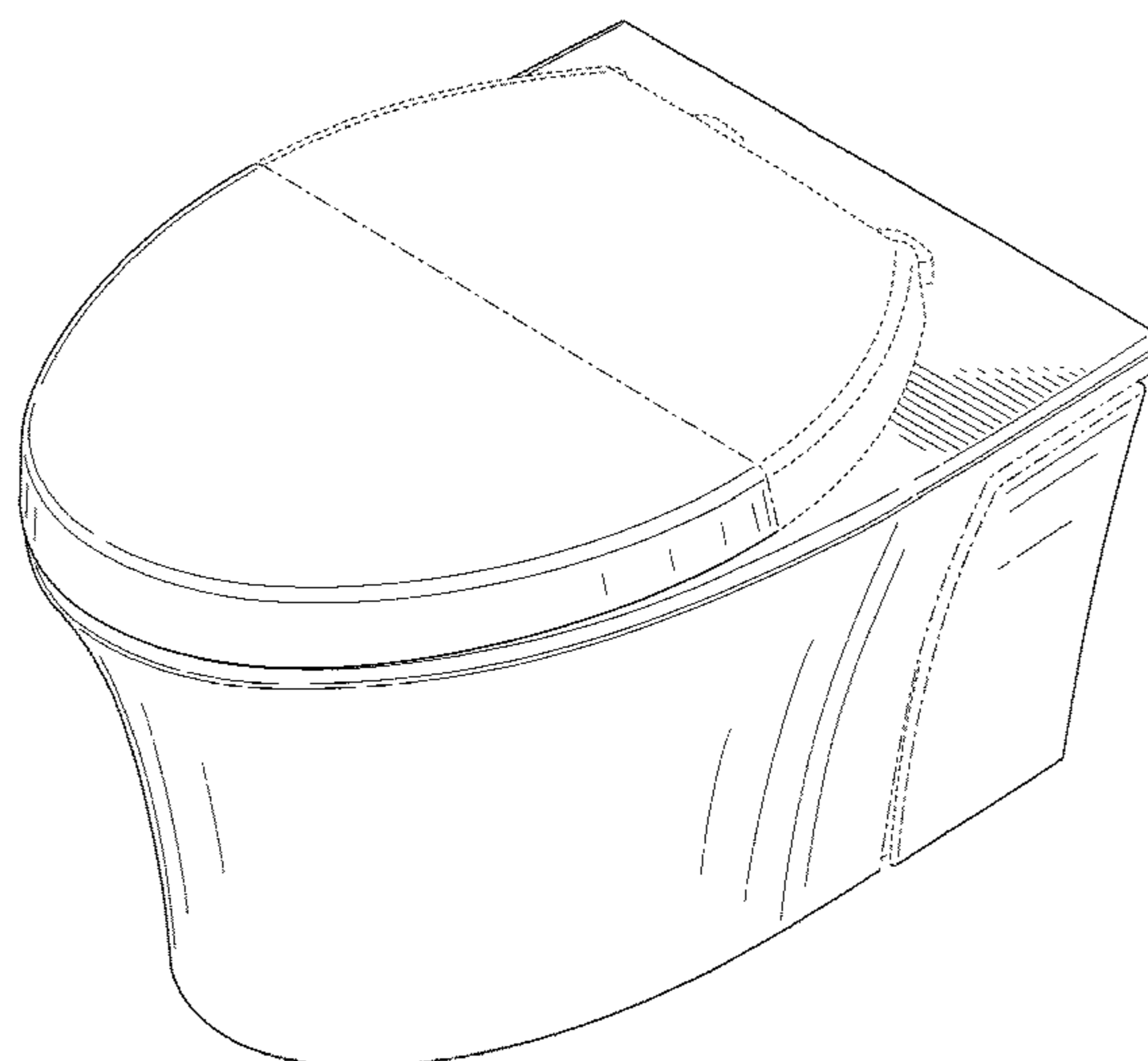
The ornamental design which is claimed is shown in solid lines in the drawings. The broken lines in the drawings are for illustrative purposes only and form no part of the claimed design. Broken lines formed by equal length dashes show unclaimed portions of the design. Broken lines formed of unequal length dashes (i.e., dash-dot) show boundaries between claimed and unclaimed portions of the design.

(56) **References Cited**

U.S. PATENT DOCUMENTS

5,926,863	A	7/1999	Arita et al.
6,986,176	B1	1/2006	Lin
7,325,258	B2	2/2008	Asada et al.
7,661,153	B2	2/2010	Nakamura et al.
D621,487	S	8/2010	Toyohara
7,827,628	B2	11/2010	Ichiki et al.
8,037,552	B2	10/2011	Ichiki et al.
D653,315	S	1/2012	Yoshioka
D658,277	S	4/2012	Irani et al.
2008/0271234	A1	11/2008	Okada et al.
2010/0186158	A1	7/2010	Morita et al.

1 Claim, 7 Drawing Sheets



(56)

References Cited

OTHER PUBLICATIONS

Wall Hung Toilet—Wall Hung Toilet Distributor; <http://www.sz-wholesaler.com/p/1172/1187-1/wall-hung-toilet-615932.html> (2 pgs).
Toilet Accessories—And More Toilet Accessories Distributor Information; <http://www.sz-wholesaler.com/cn-cat/1172/1187/toilet-accessories-27.html> (4 pgs).

Duravit wall-hung toilet on the Geberit frame system with tank, etc.; Dec. 14, 2010 (3 pgs).
Installation Instructions Care and Maintenance; Porcher Solutions; Wall Hung Dual Flush Toilet with Seat Model 47010-11 (4 pgs).
Porcher Solutions; Wall Mounted Dual Flush Water Closet with Standard Carrier; 97010-11—Standard Carrier Kit (2 pgs).
Faucet.com; Porcher 97010-11.001 White Solutions 1.6 to .8 GPF Wall Mounted Dual Flush Toilet (2 pgs).

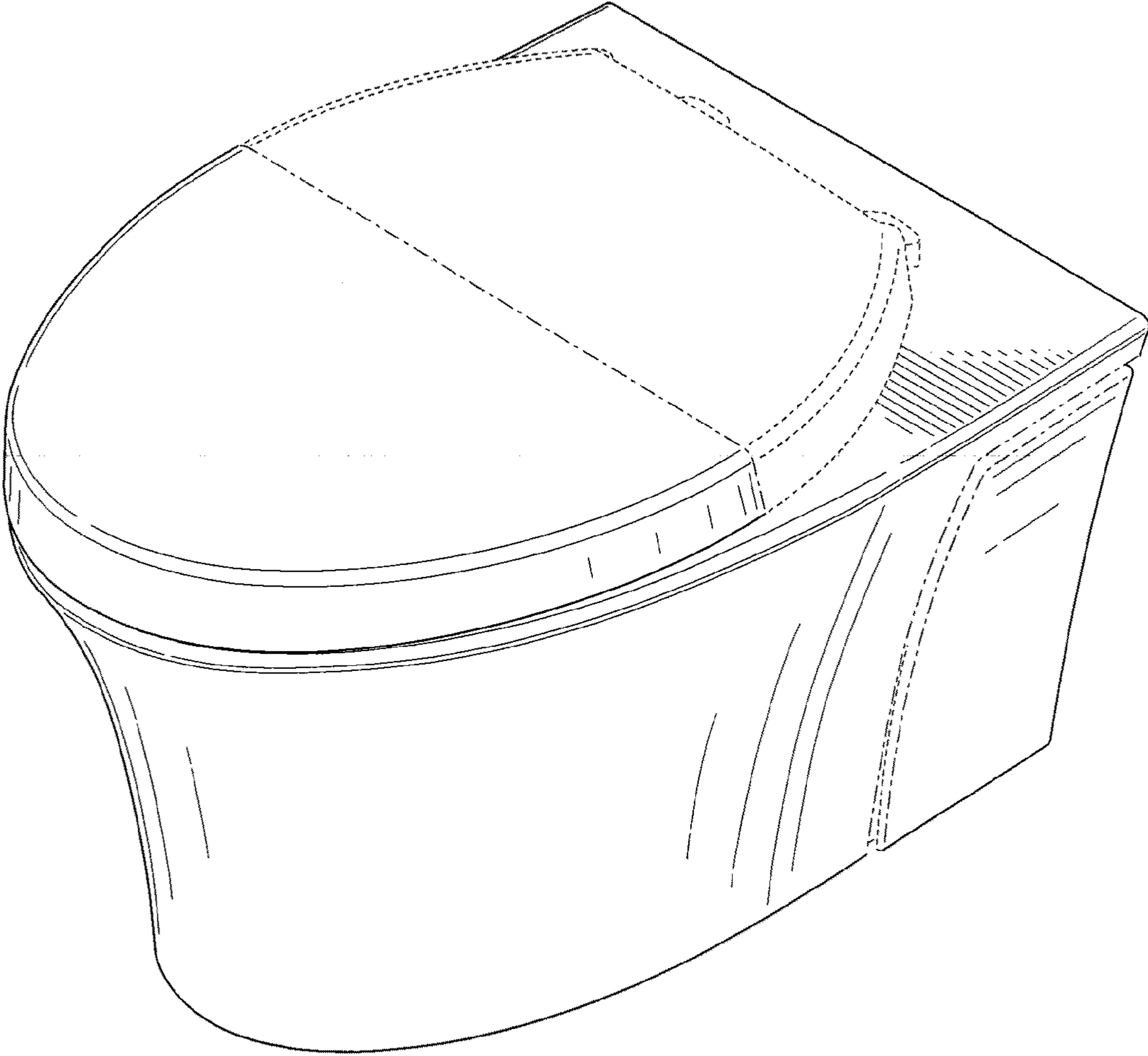


FIG. 1

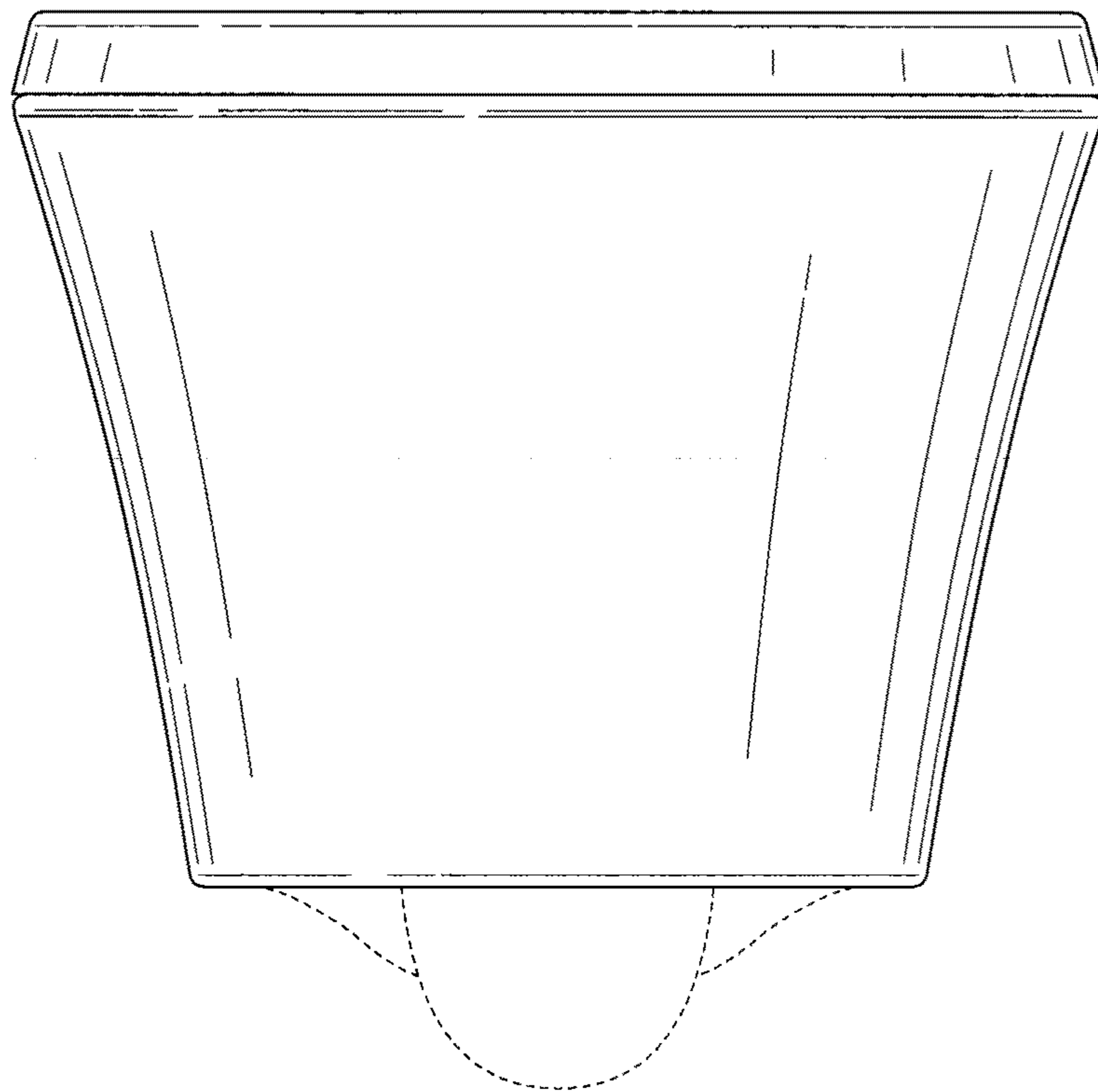


FIG. 2

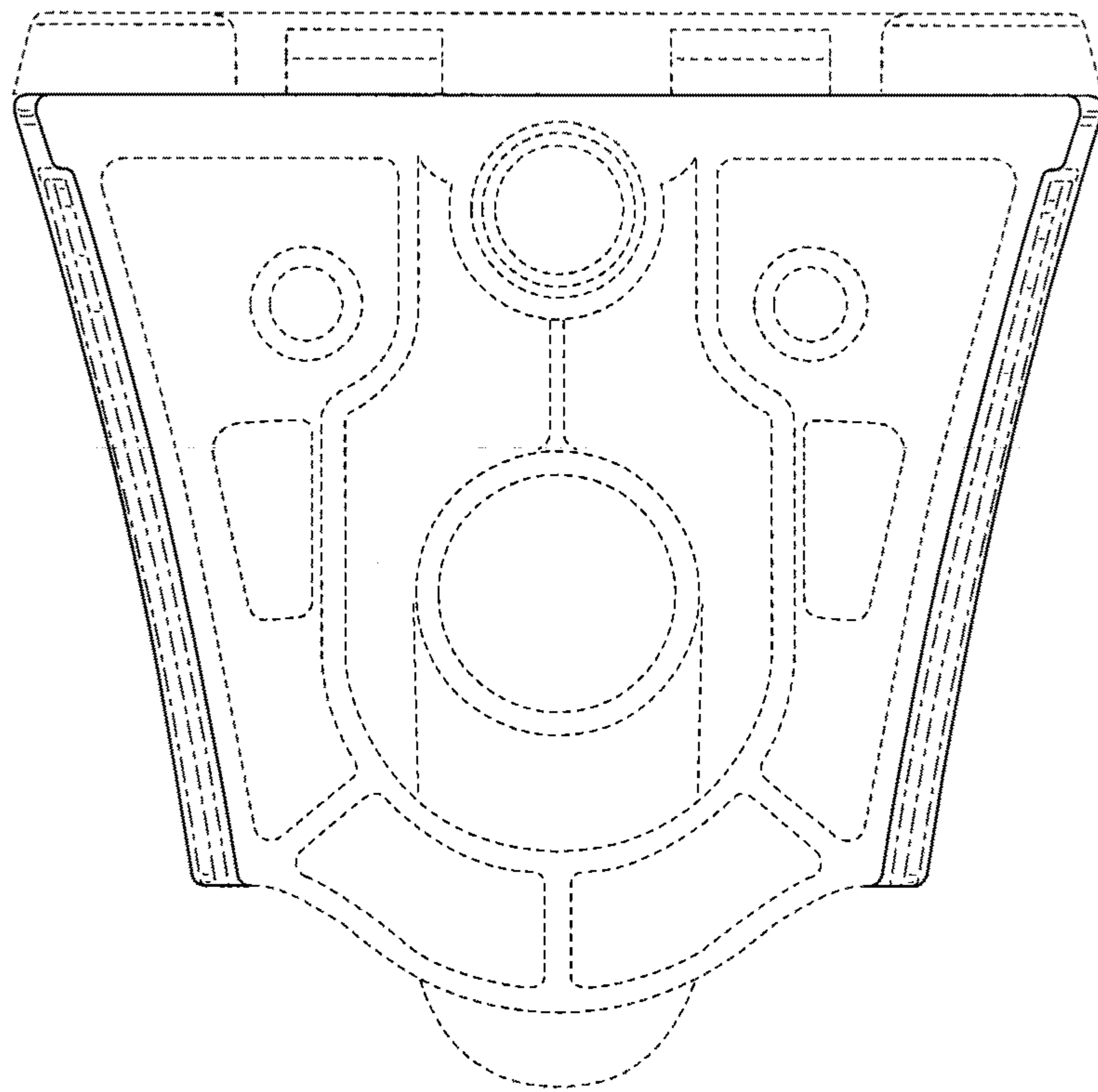


FIG. 3

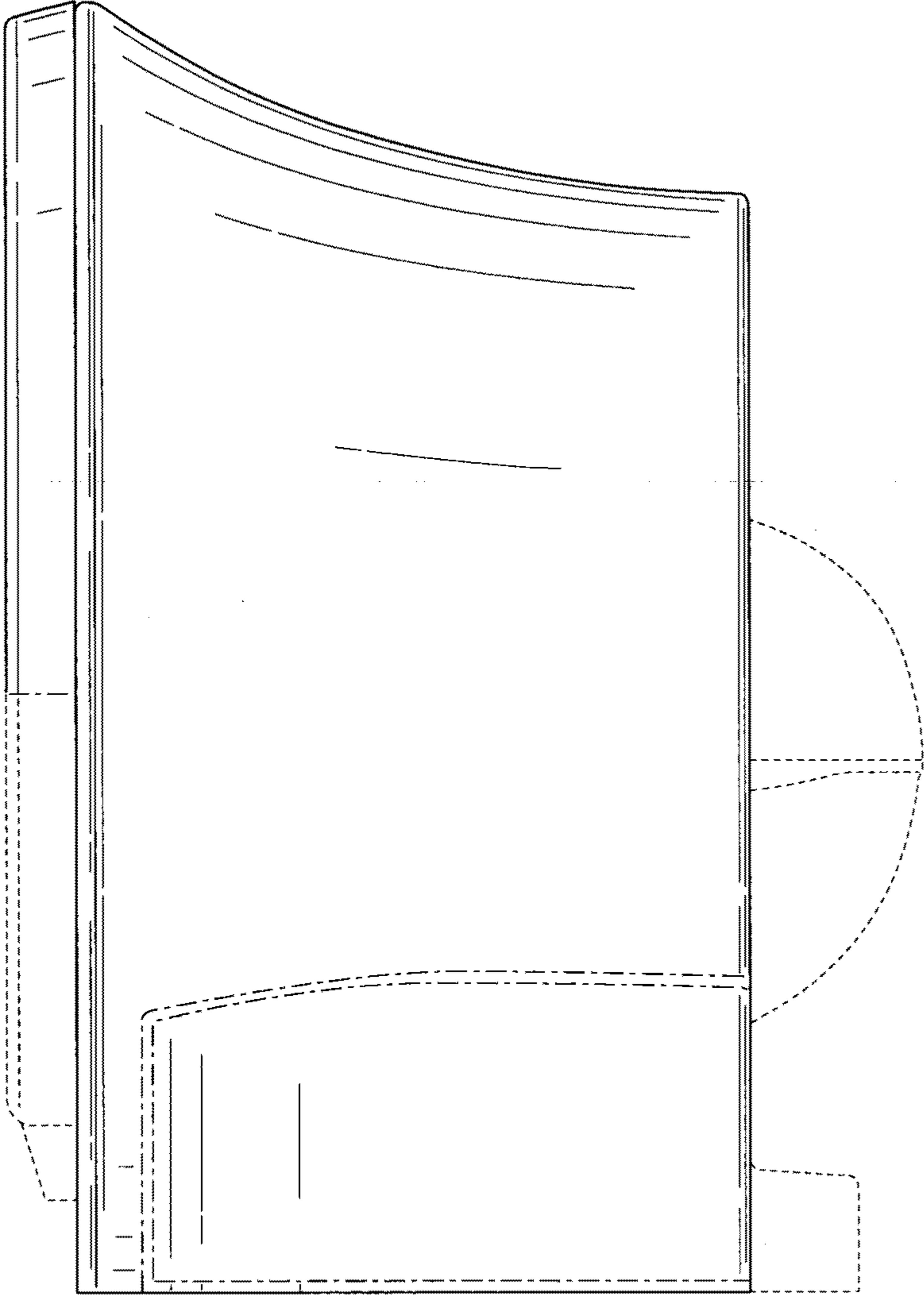


FIG. 4

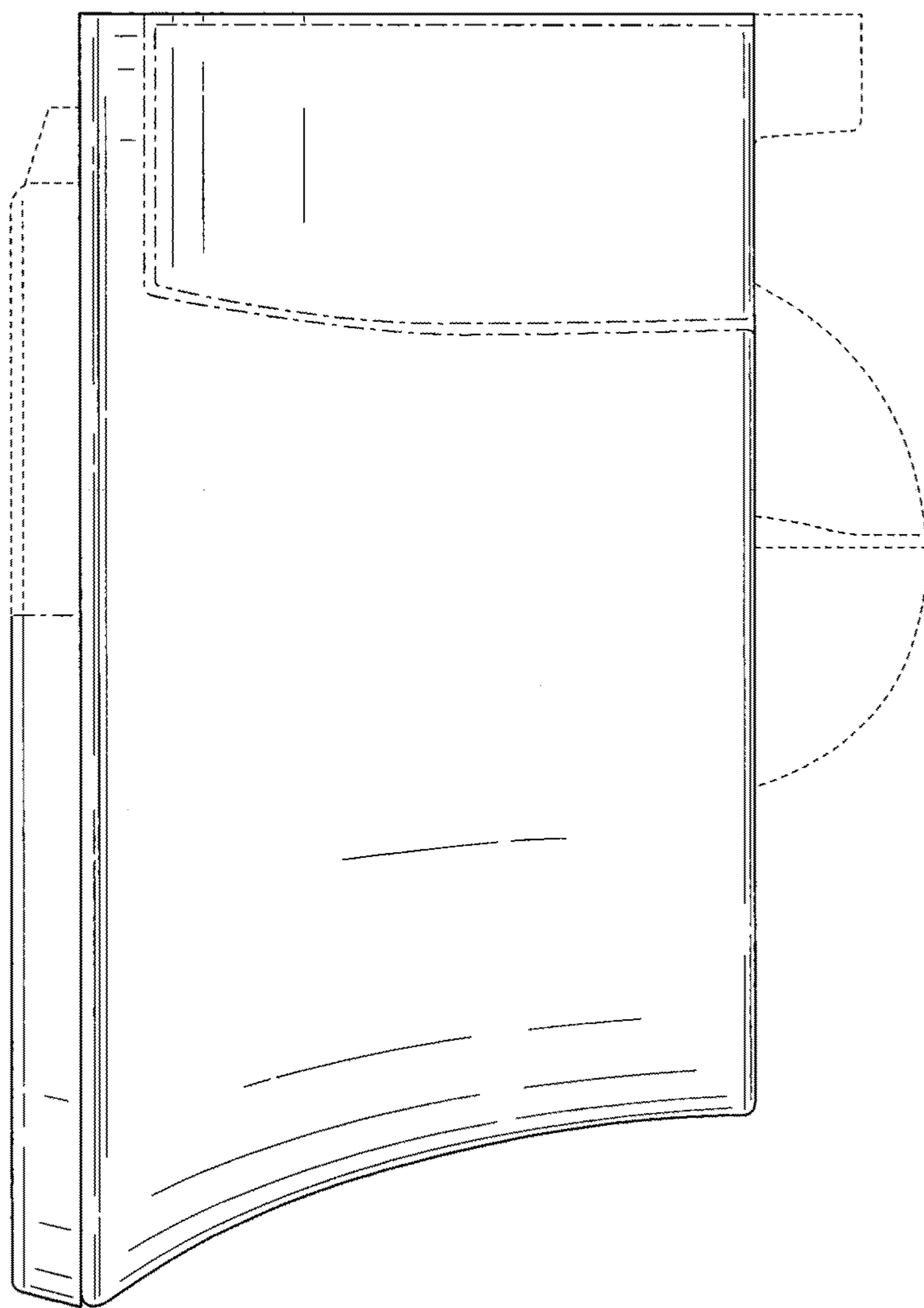


FIG. 5

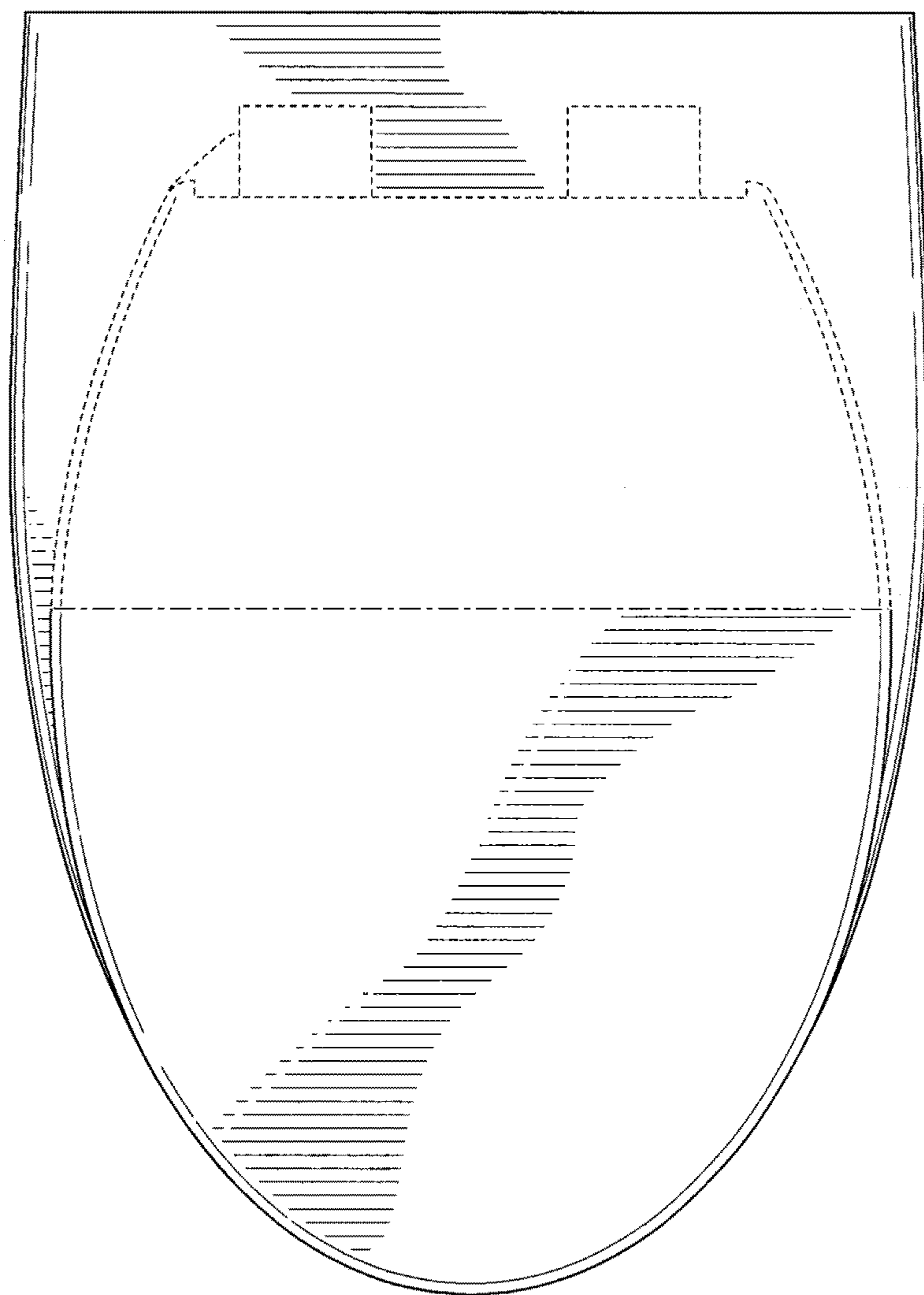


FIG. 6

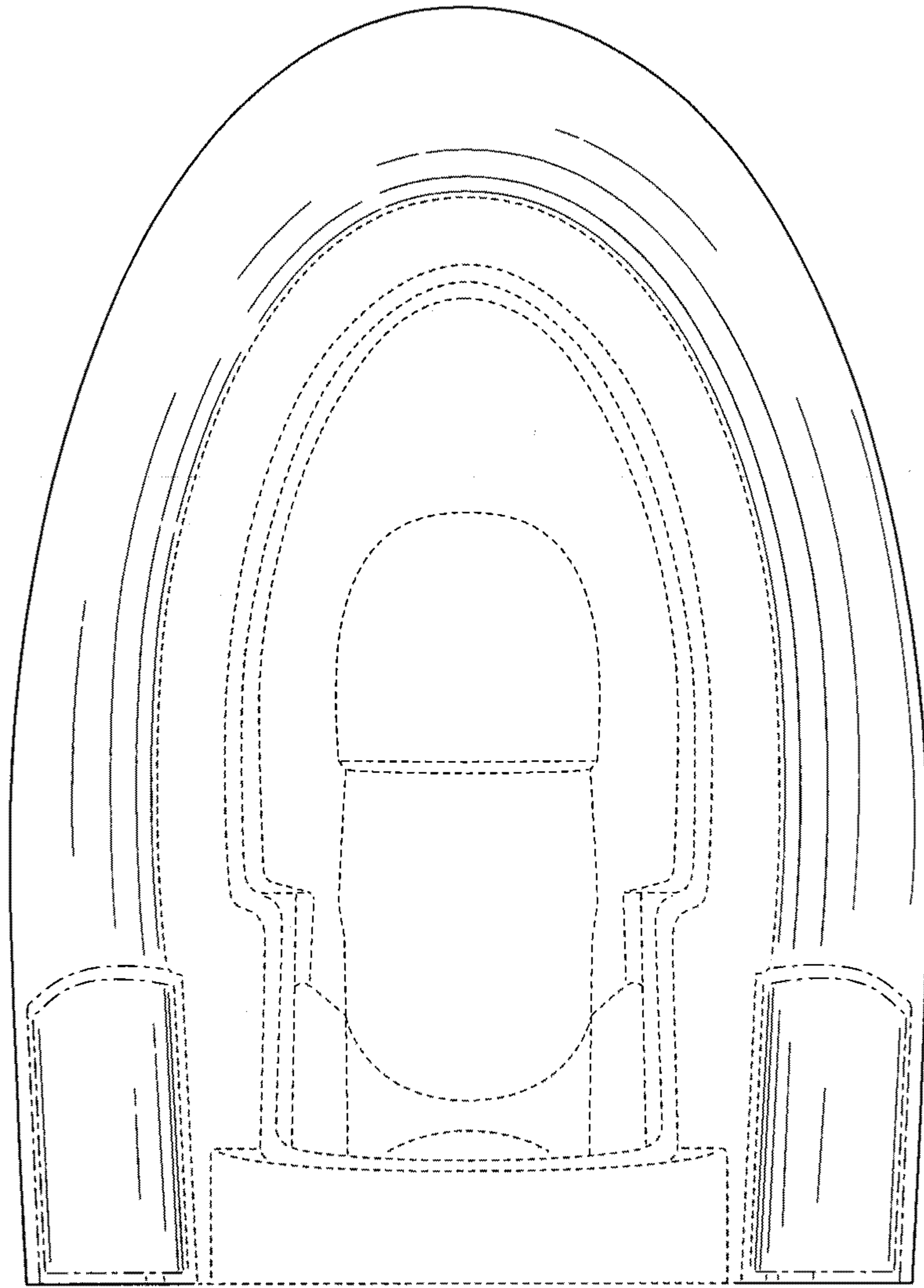


FIG. 7