



US00D701948S

(12) **United States Design Patent**
Schliwa et al.

(10) **Patent No.:** **US D701,948 S**

(45) **Date of Patent:** **** Apr. 1, 2014**

(54) **URINAL**

(75) Inventors: **Ralf Schliwa**, Dollern (DE); **Maria T. Strasdas**, Jork (DE); **Florian Schüphaus**, Hamburg (DE); **Christian Seibt**, Buchholz i.d. Nordheide (DE)

(73) Assignee: **Airbus Operations GmbH**, Hamburg (DE)

(**) Term: **14 Years**

(21) Appl. No.: **29/431,652**

(22) Filed: **Sep. 10, 2012**

(30) **Foreign Application Priority Data**

Mar. 9, 2012 (EM) 001317473

(51) **LOC (10) Cl.** **23-02**

(52) **U.S. Cl.**
USPC **D23/274**

(58) **Field of Classification Search**
USPC D23/302, 303, 274; 4/301, 663-665
See application file for complete search history.

(56) **References Cited**

U.S. PATENT DOCUMENTS

D341,193 S *	11/1993	Hart	D23/302
D458,355 S *	6/2002	Tanner	D23/301
D501,675 S *	2/2005	Iranyi	D23/302
D547,845 S *	7/2007	Paterson	D23/302
D619,229 S *	7/2010	Kwak	D23/309

* cited by examiner

Primary Examiner — Robert Delehanty

(74) *Attorney, Agent, or Firm* — Nixon & Vanderhye P.C.

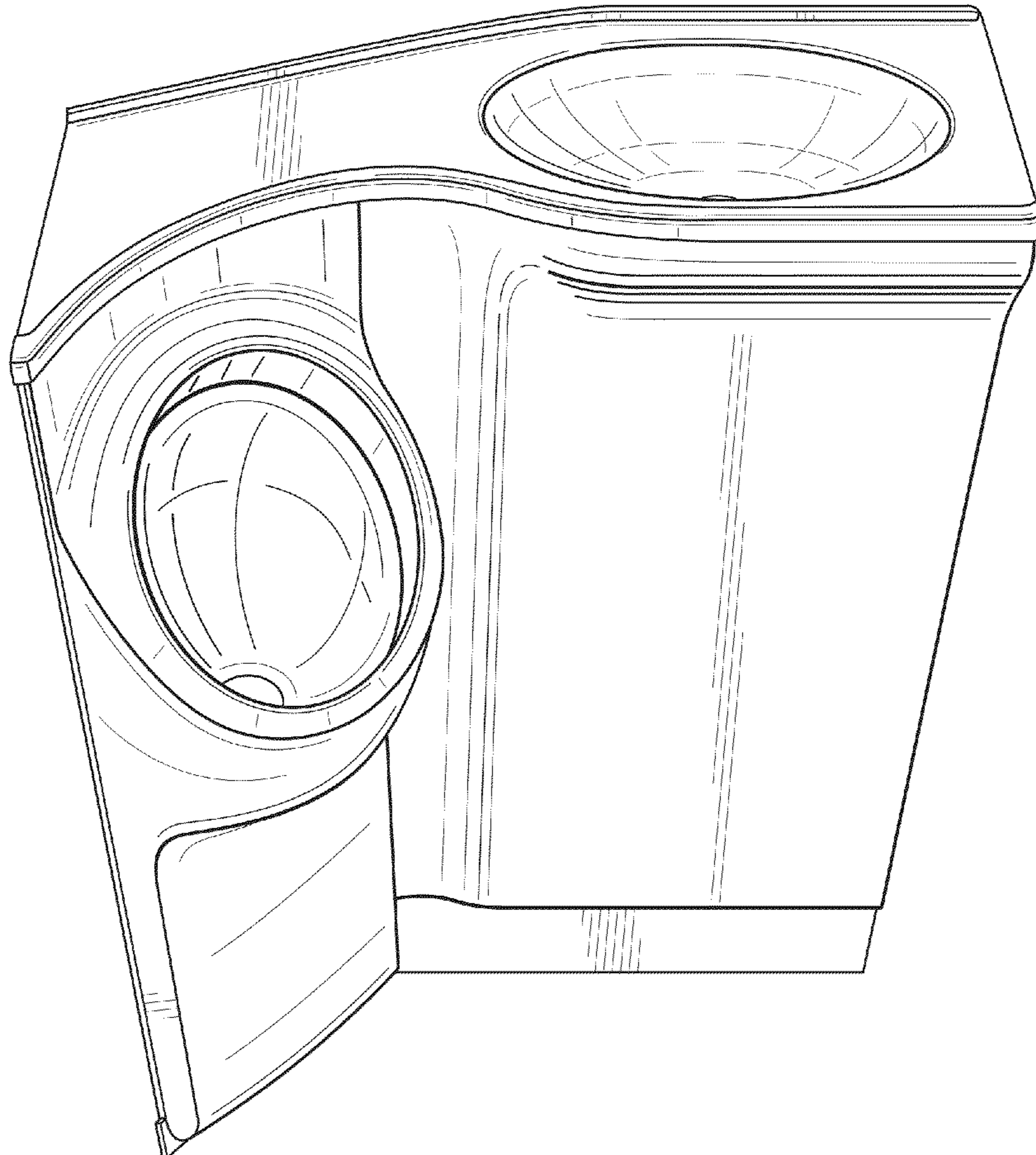
(57) **CLAIM**

The ornamental design for a urinal, as shown and described.

DESCRIPTION

FIG. 1 is a first front perspective view;
FIG. 2 is a second front perspective view;
FIG. 3 is a third front perspective view;
FIG. 4 is a left side view;
FIG. 5 is a right side view; and,
FIG. 6 is a top view.

1 Claim, 6 Drawing Sheets



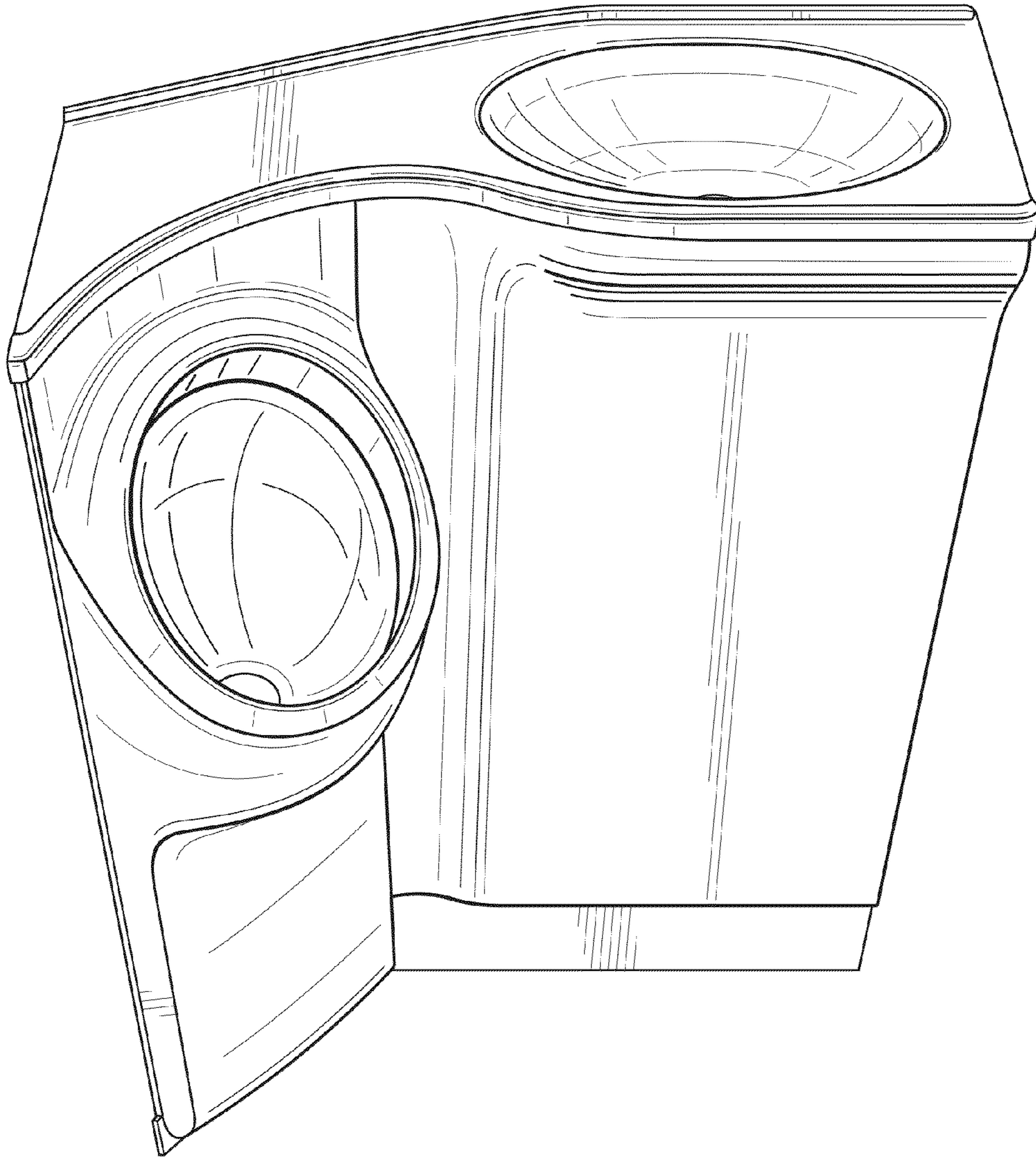


FIG. 1

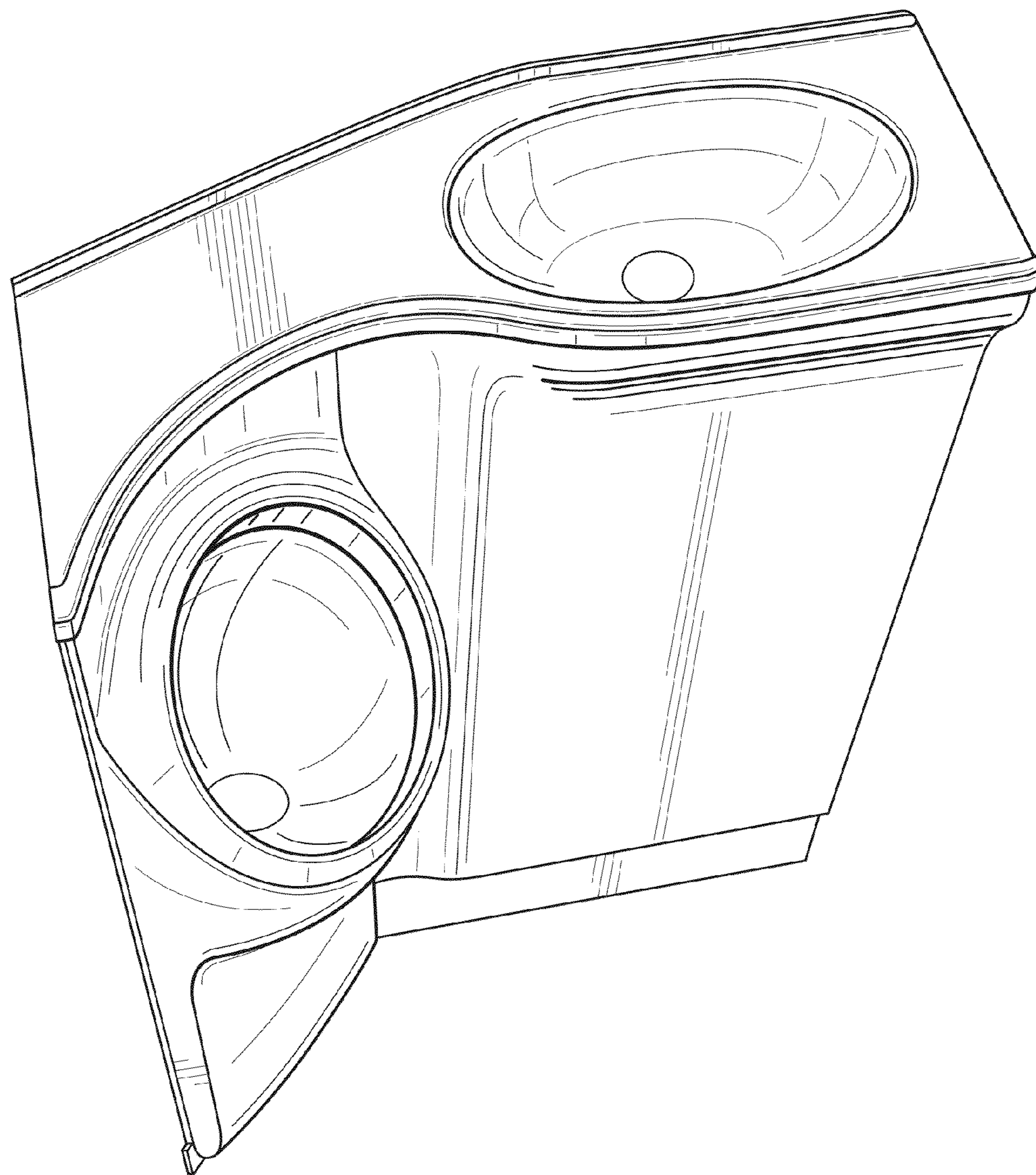


FIG. 2

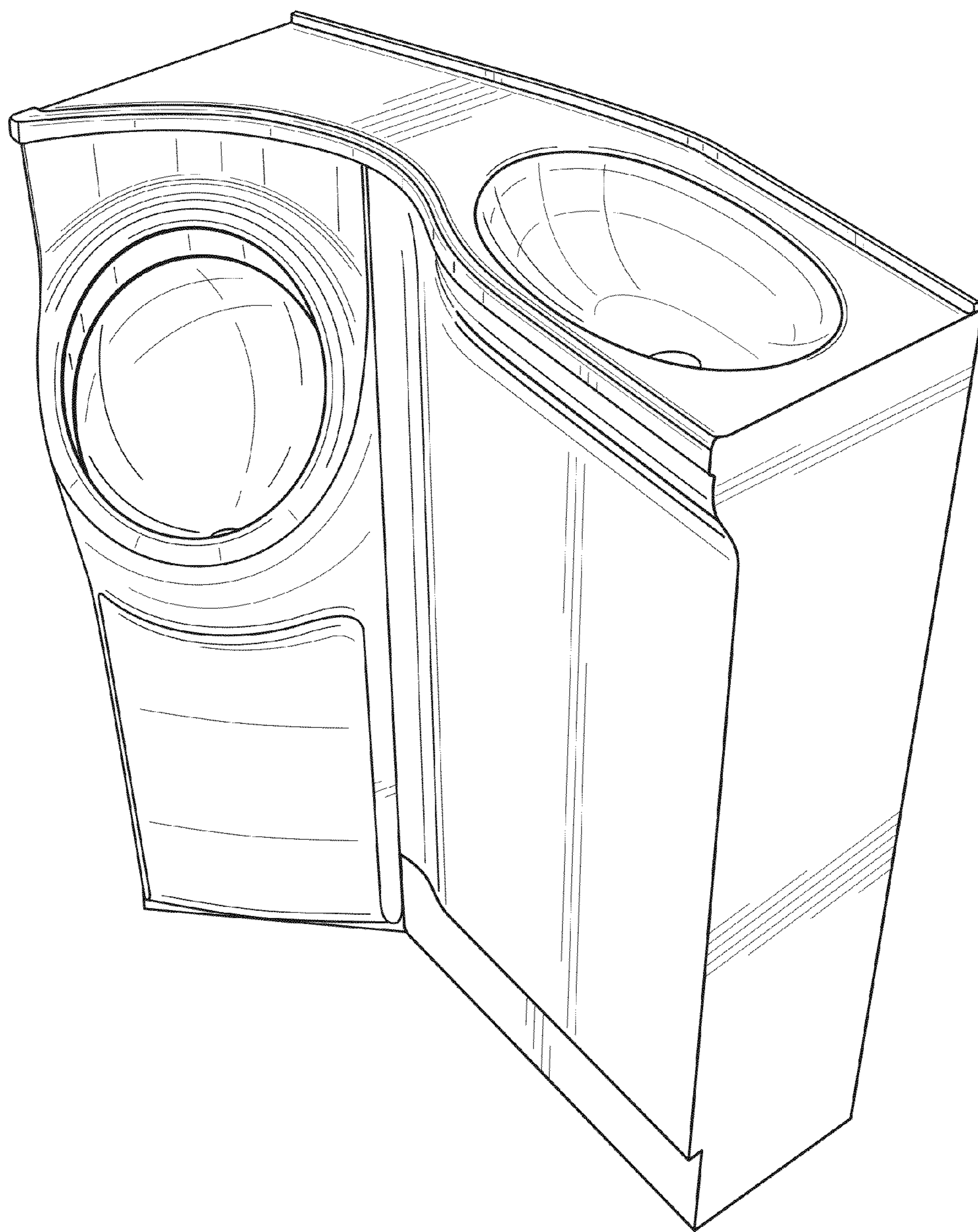


FIG. 3

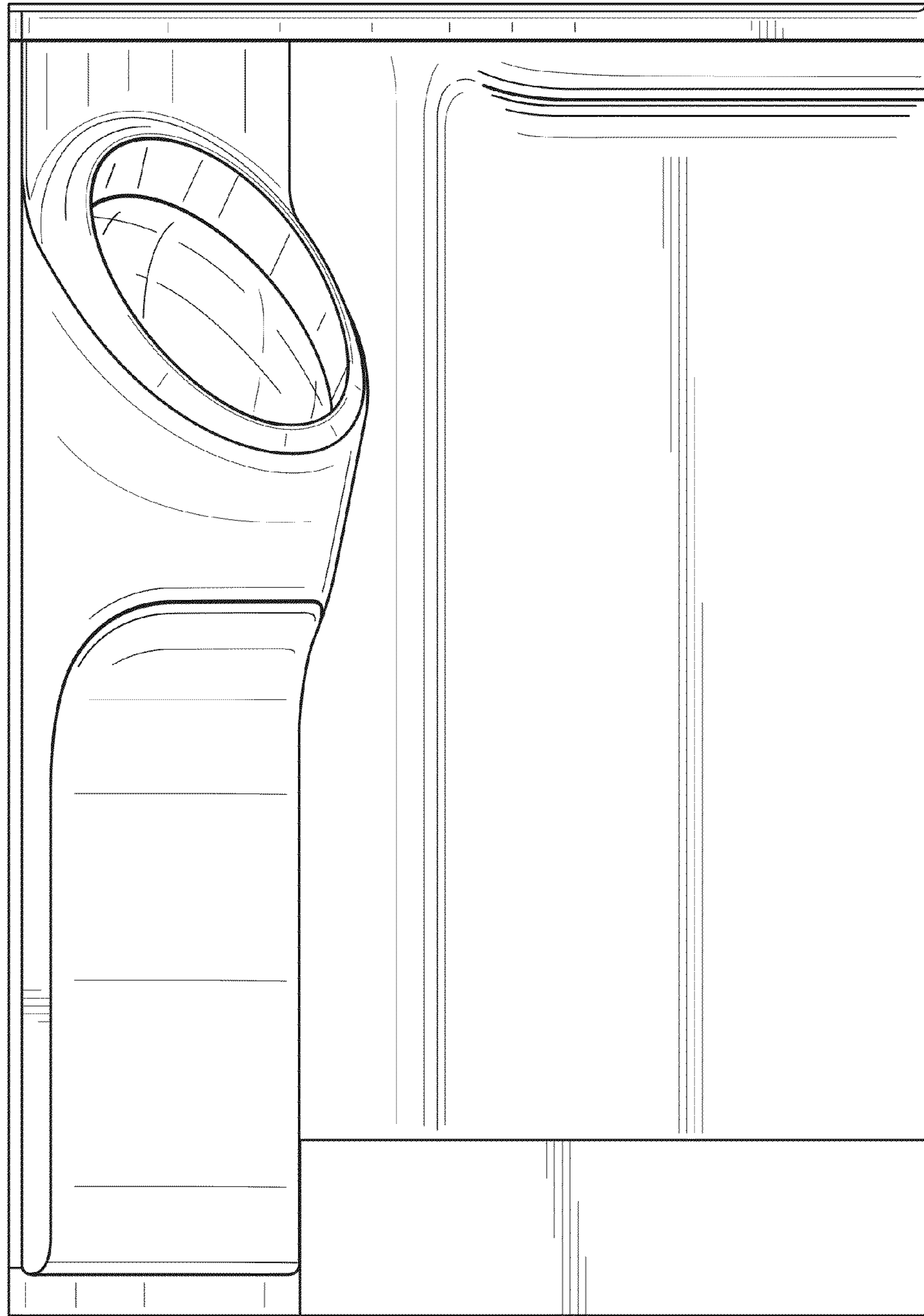


FIG. 4

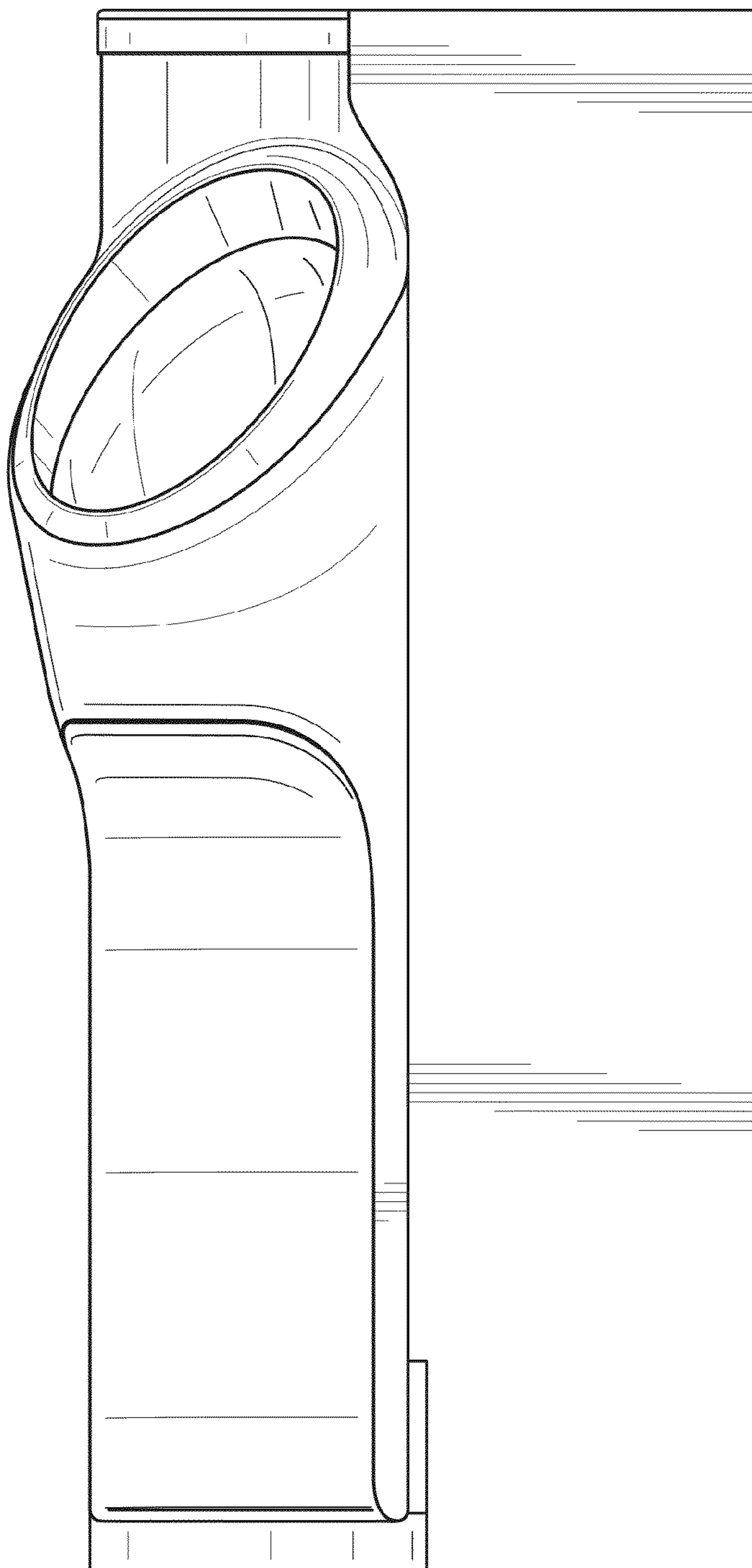


FIG. 5

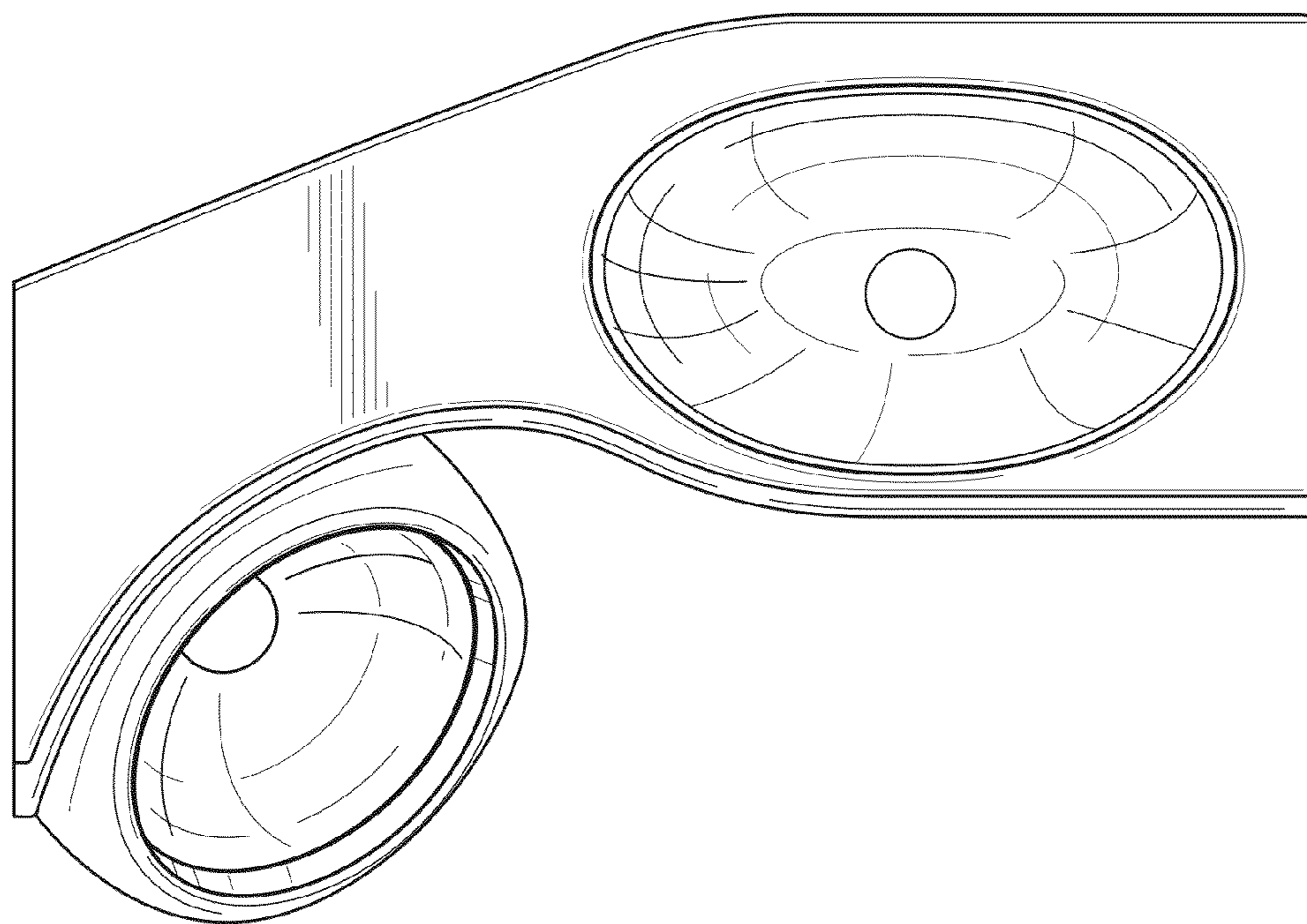


FIG. 6