



US00D701946S

(12) **United States Design Patent**
Mitsuoka

(10) **Patent No.:** **US D701,946 S**

(45) **Date of Patent:** **** Apr. 1, 2014**

(54) **OIL DRAIN VALVE**

(71) Applicant: **Norio Mitsuoka**, Redmond, WA (US)

(72) Inventor: **Norio Mitsuoka**, Redmond, WA (US)

(**) Term: **14 Years**

(21) Appl. No.: **29/453,742**

(22) Filed: **May 2, 2013**

(51) **LOC (10) Cl.** **23-01**

(52) **U.S. Cl.**
USPC **D23/245**

(58) **Field of Classification Search**
USPC D23/233–237, 244–249; 137/625.5,
137/625.27, 625.44, 625.48, 385, 382, 549;
251/315.1

See application file for complete search history.

(56) **References Cited**

U.S. PATENT DOCUMENTS

2,953,165	A *	9/1960	Reynolds	137/625.4
3,605,792	A *	9/1971	Westbrook	137/312
4,078,763	A	3/1978	Yamamoto		
4,414,995	A *	11/1983	Spencer	137/77
4,546,790	A *	10/1985	Huber et al.	137/315.19
5,275,200	A	1/1994	Yamamoto		

D455,818	S	4/2002	Naoyuki		
D677,363	S *	3/2013	Norlander et al.	D23/233
D681,170	S	4/2013	Yamamoto		
D681,171	S	4/2013	Yamamoto		
2008/0245428	A1 *	10/2008	Jorgensen	137/627.5
2009/0095353	A1 *	4/2009	Arsin	137/15.01
2010/0126598	A1 *	5/2010	Peric et al.	137/468
2010/0288952	A1 *	11/2010	Christensen	251/129.15
2012/0055558	A1 *	3/2012	Miller et al.	137/1
2013/0074961	A1 *	3/2013	Hong et al.	137/597

* cited by examiner

Primary Examiner — Cynthia Ramirez

(74) *Attorney, Agent, or Firm* — Dean A Craine

(57) **CLAIM**

The ornamental design for an oil drain valve, as shown and described.

DESCRIPTION

FIG. 1 is a perspective view of an oil drain valve showing my new design;

FIG. 2 is a top plan view thereof;

FIG. 3 is a left side elevational view thereof;

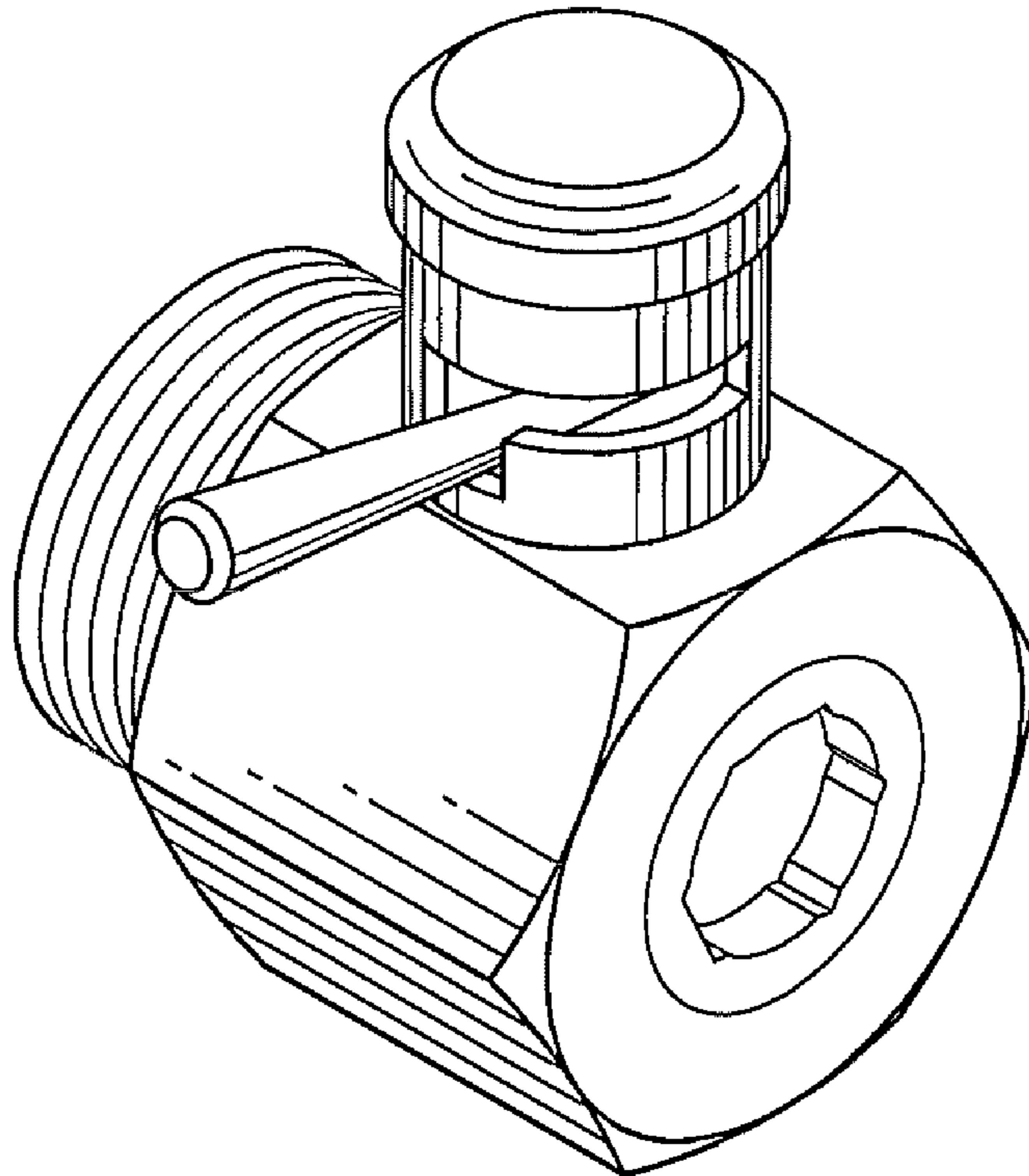
FIG. 4 is a right side elevational view thereof;

FIG. 5 is a front elevational view thereof;

FIG. 6 is a rear elevational view thereof; and,

FIG. 7 is a bottom plan view thereof.

1 Claim, 2 Drawing Sheets



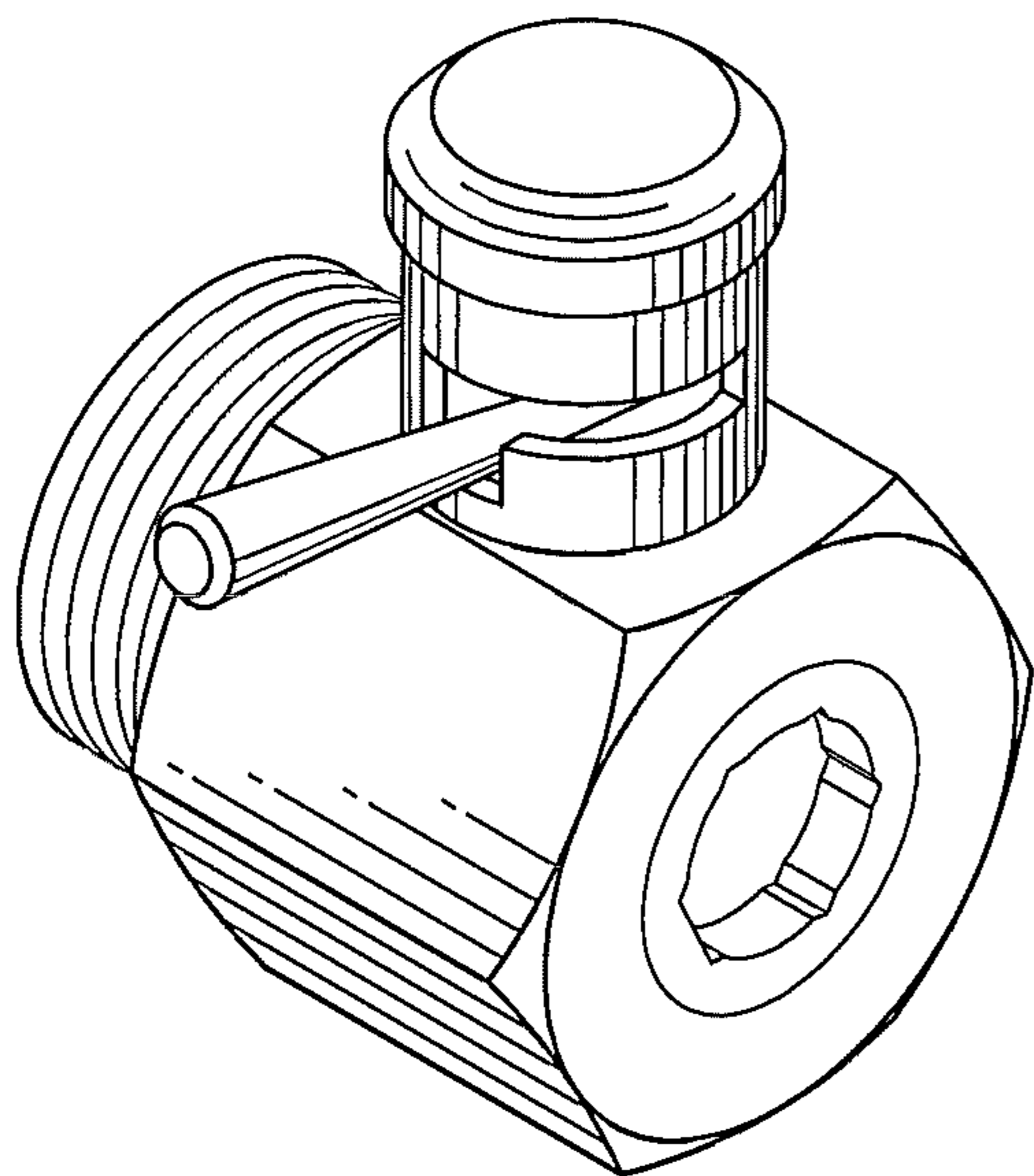


Fig. 1

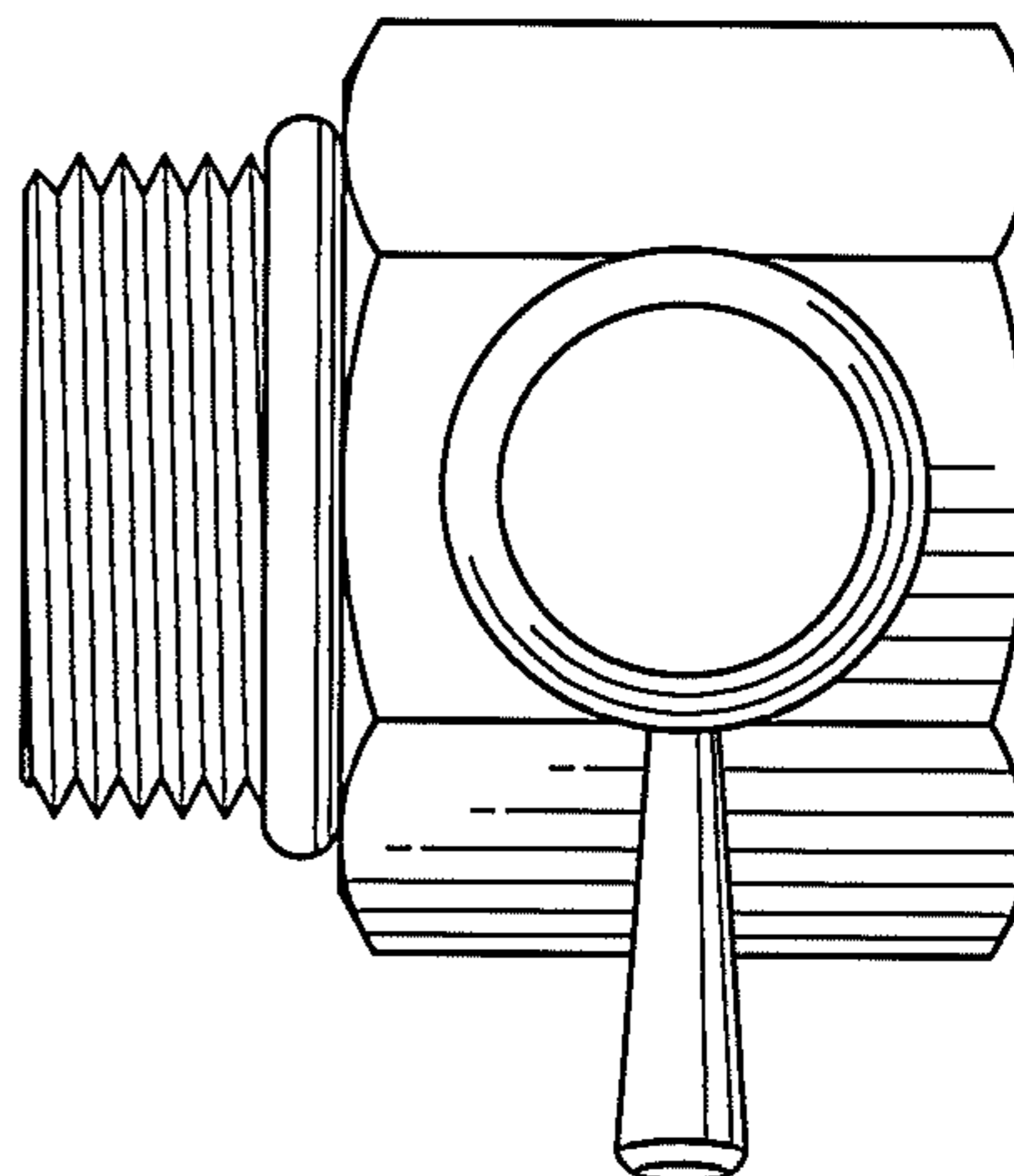


Fig. 2

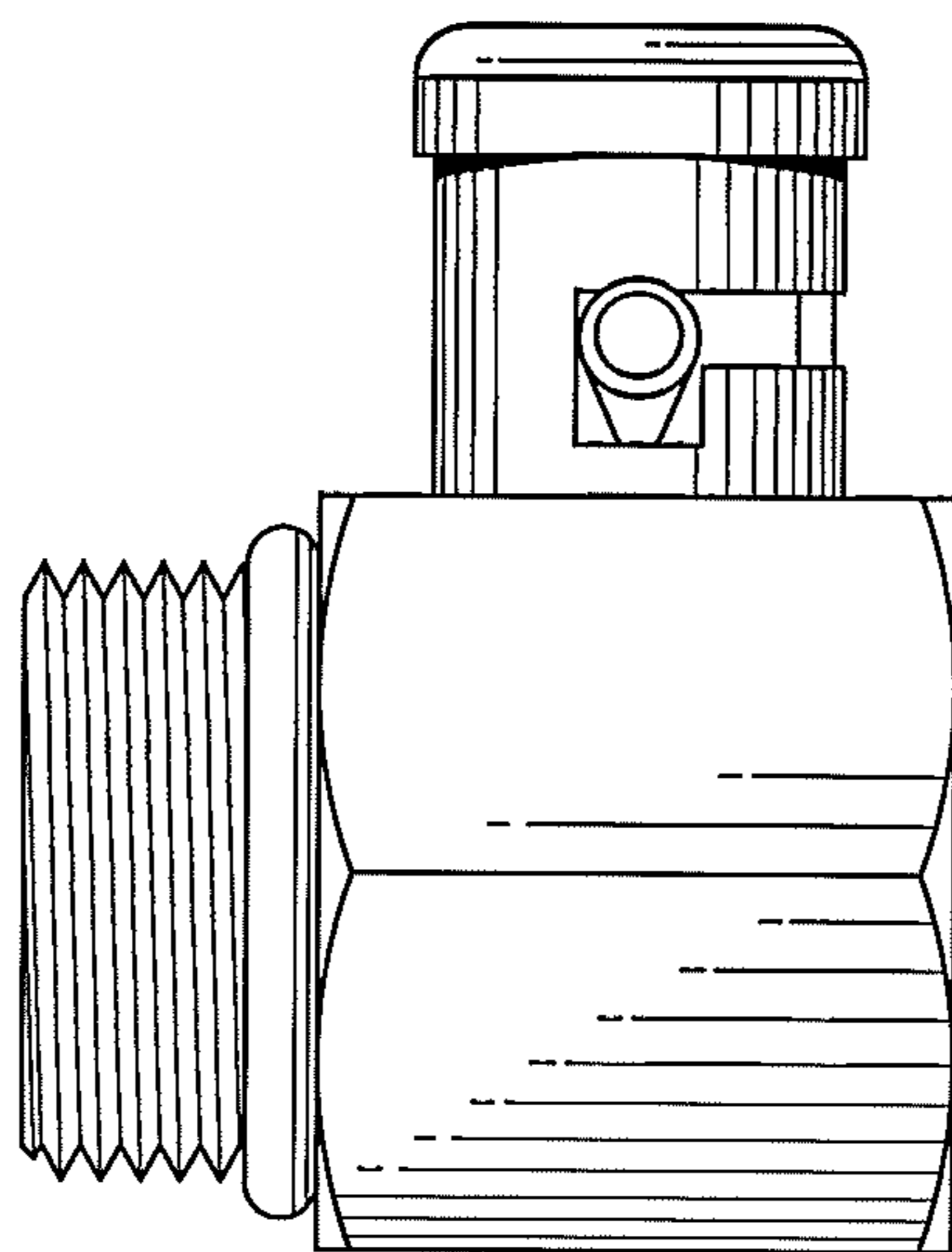


Fig. 3

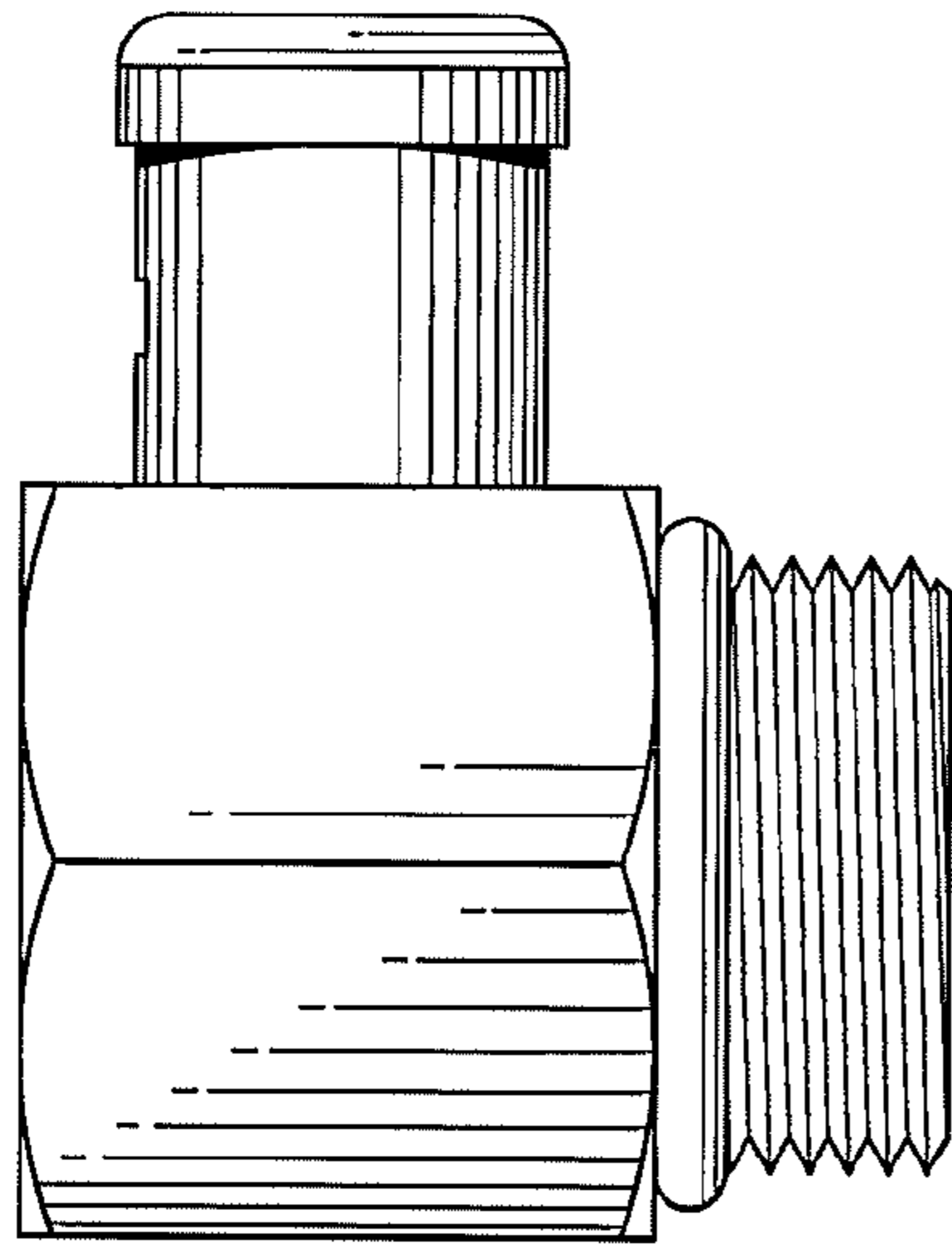


Fig. 4

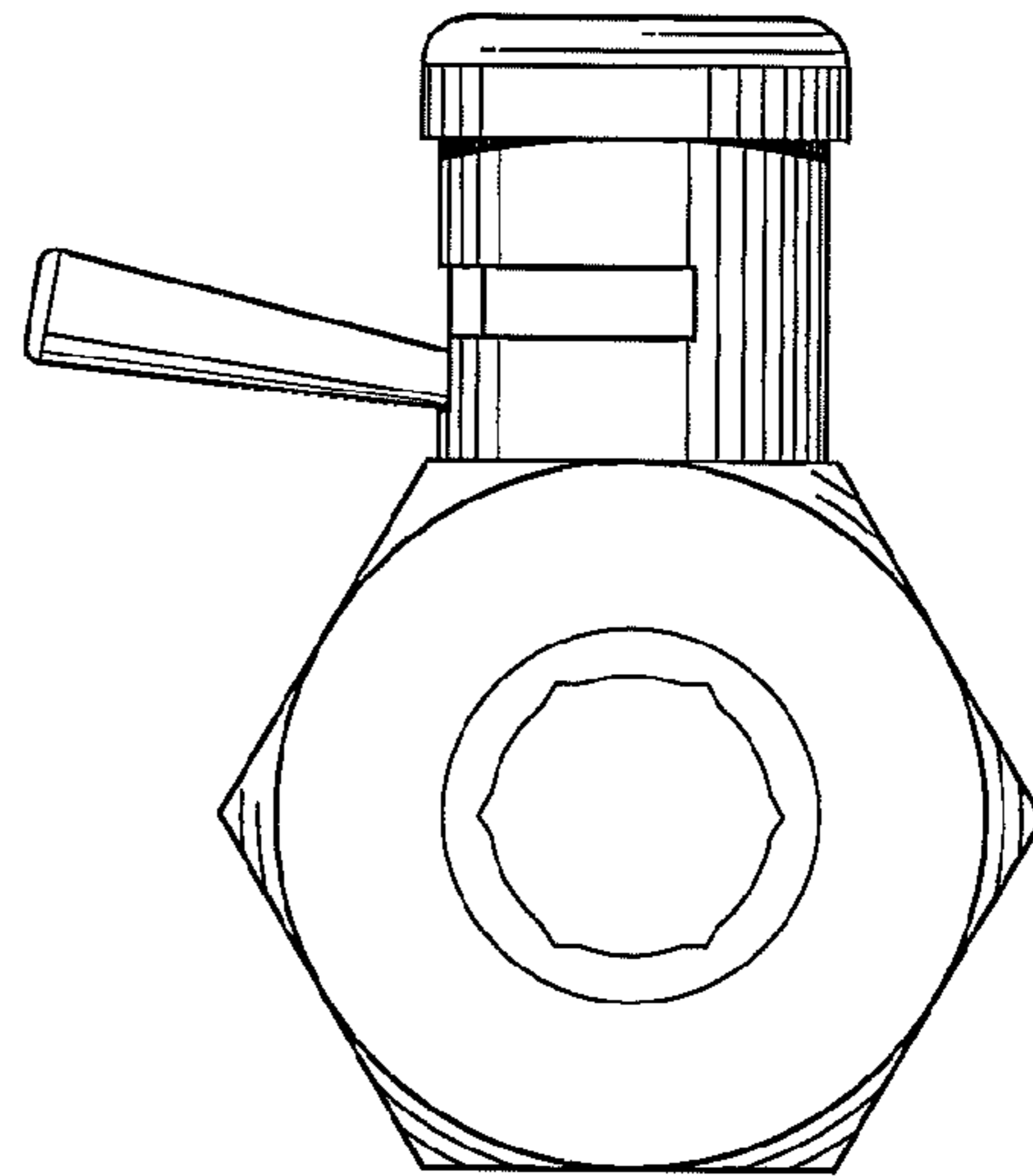


Fig. 5

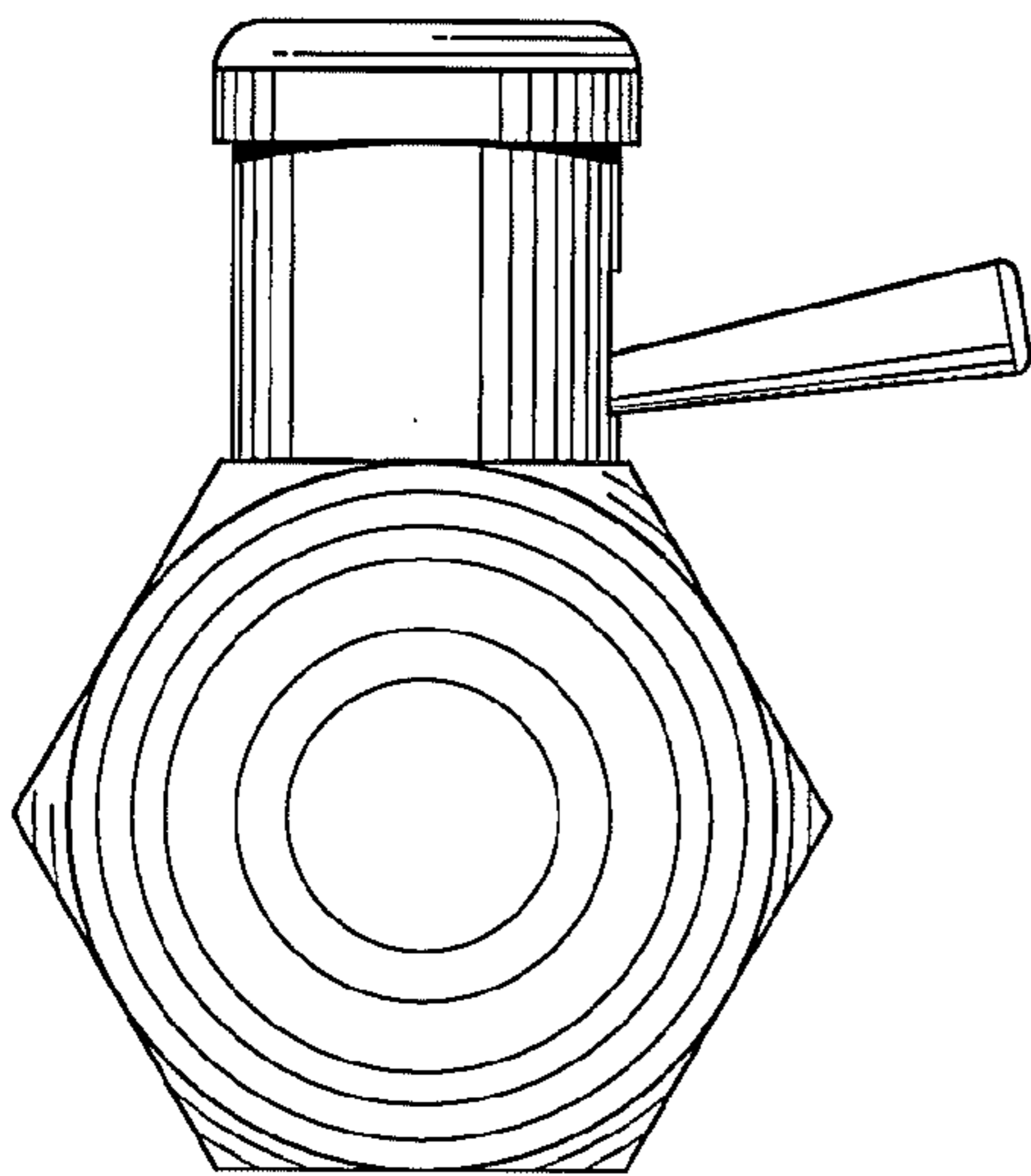


Fig. 6

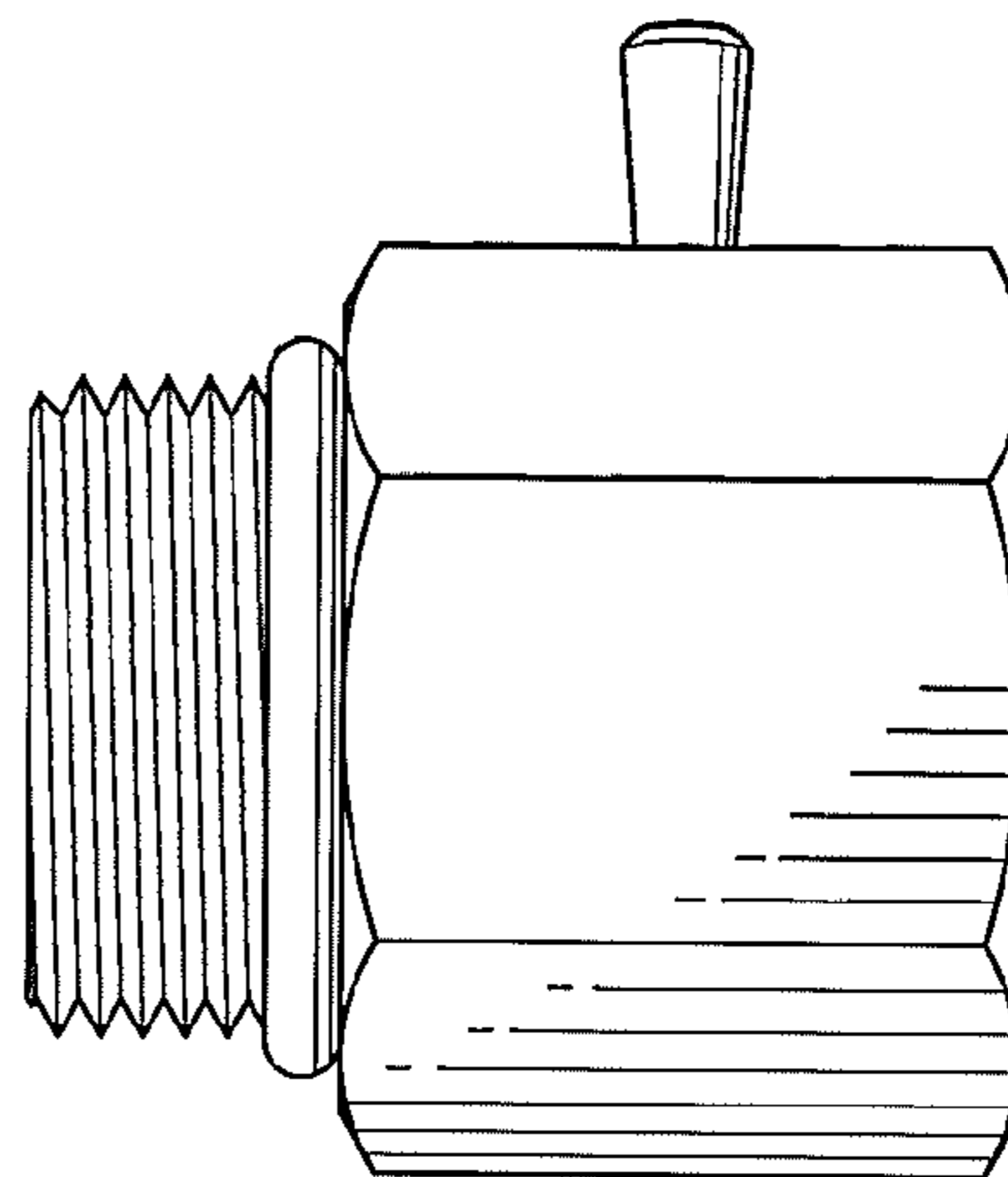


Fig. 7