



US00D701943S

(12) **United States Design Patent**
Gaertner

(10) **Patent No.:** **US D701,943 S**

(45) **Date of Patent:** **** Apr. 1, 2014**

(54) **VALVES**

(75) Inventor: **Frank T. Gaertner**, Ladenburg (DE)

(73) Assignee: **Buerkert Werke GmbH**, Ingelfingen (DE)

(**) Term: **14 Years**

(21) Appl. No.: **29/410,446**

(22) Filed: **Jan. 9, 2012**

(30) **Foreign Application Priority Data**

Jul. 11, 2011	(EM)	001889221-0001
Jul. 11, 2011	(EM)	001889221-0002
Jul. 11, 2011	(EM)	001889221-0003
Jul. 11, 2011	(EM)	001889221-0004

(51) **LOC (10) Cl.** **23-01**

(52) **U.S. Cl.**
USPC **D23/233**

(58) **Field of Classification Search**
USPC D23/233-237, 244-249; 137/43, 197,
137/202, 209, 433; 251/901
See application file for complete search history.

(56) **References Cited**

U.S. PATENT DOCUMENTS

D100,707	S *	8/1936	McCracken	D23/235
5,957,150	A *	9/1999	Perkins	137/202
D538,890	S *	3/2007	Park	D23/233

D674,467	S *	1/2013	Weingarten	D23/233
D674,468	S *	1/2013	Weingarten	D23/233
8,402,994	B2 *	3/2013	Smit	137/391
D687,124	S *	7/2013	Weingarten	D23/233
2010/0108156	A1 *	5/2010	Katzman	137/202

* cited by examiner

Primary Examiner — Cynthia Ramirez

(74) *Attorney, Agent, or Firm* — Carlson, Gaskey & Olds, PC

(57) **CLAIM**

The ornamental design for a valve, as shown and described.

DESCRIPTION

FIG. 1 is a perspective view of a first embodiment of a valve including a transparent cap.

FIG. 2 is a right side view of the valve of FIG. 1.

FIG. 3 is a rear view of the valve of FIG. 1.

FIG. 4 is a top view of the valve of FIG. 1.

FIG. 5 is a front view of the valve of FIG. 1.

FIG. 6 is a bottom view of the valve of FIG. 1.

FIG. 7 is a left side view of the valve of FIG. 1.

FIG. 8 is a perspective view of a second embodiment of a valve, and is substantially similar to the embodiment of FIGS. 1-7, but includes an opaque cap.

FIG. 9 is a right side view of the valve of FIG. 8.

FIG. 10 is a rear view of the valve of FIG. 8.

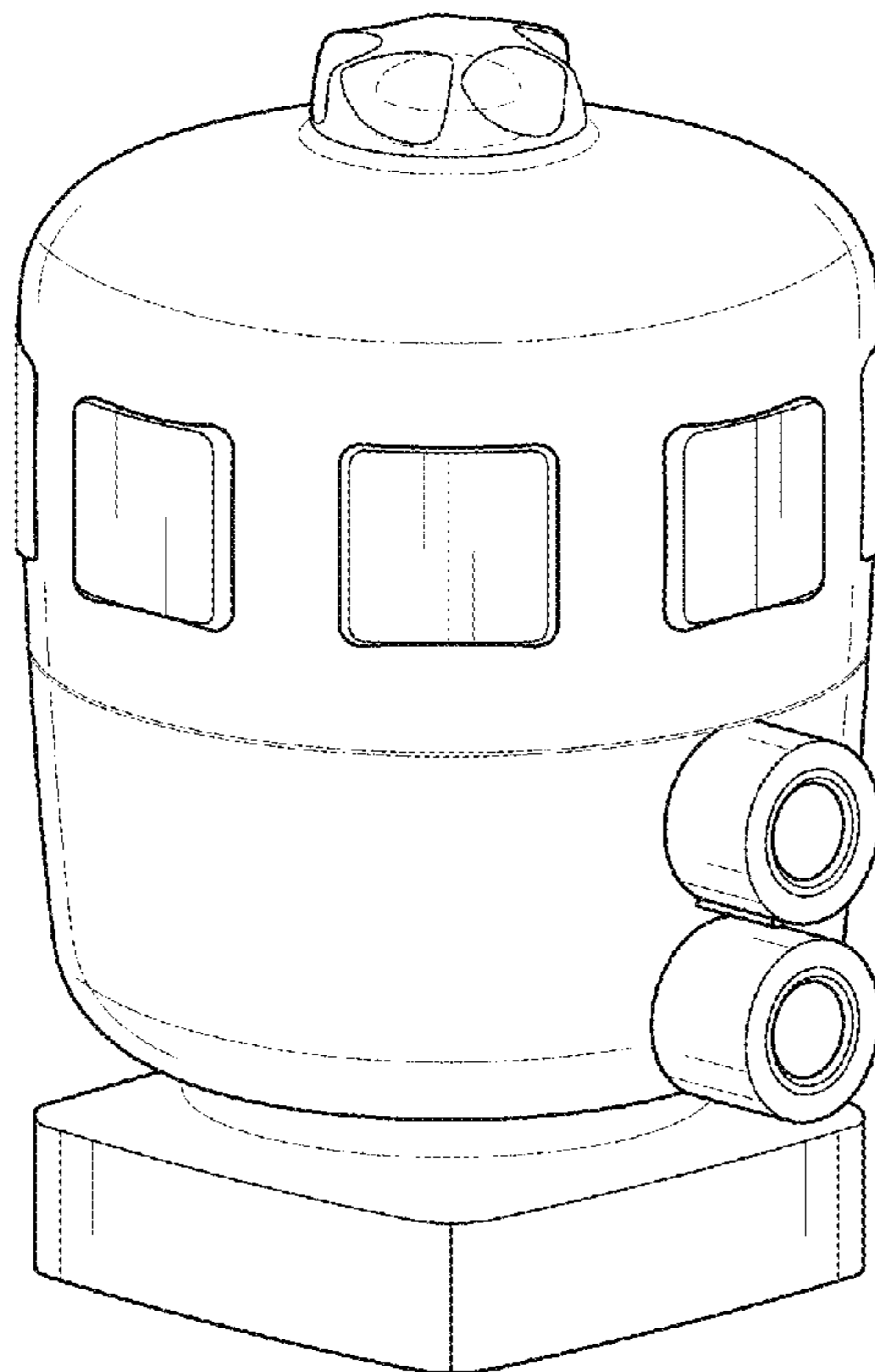
FIG. 11 is a top view of the valve of FIG. 8.

FIG. 12 is a front view of the valve of FIG. 8.

FIG. 13 is a bottom view of the valve of FIG. 8; and,

FIG. 14 is a left side view of the valve of FIG. 8.

1 Claim, 7 Drawing Sheets



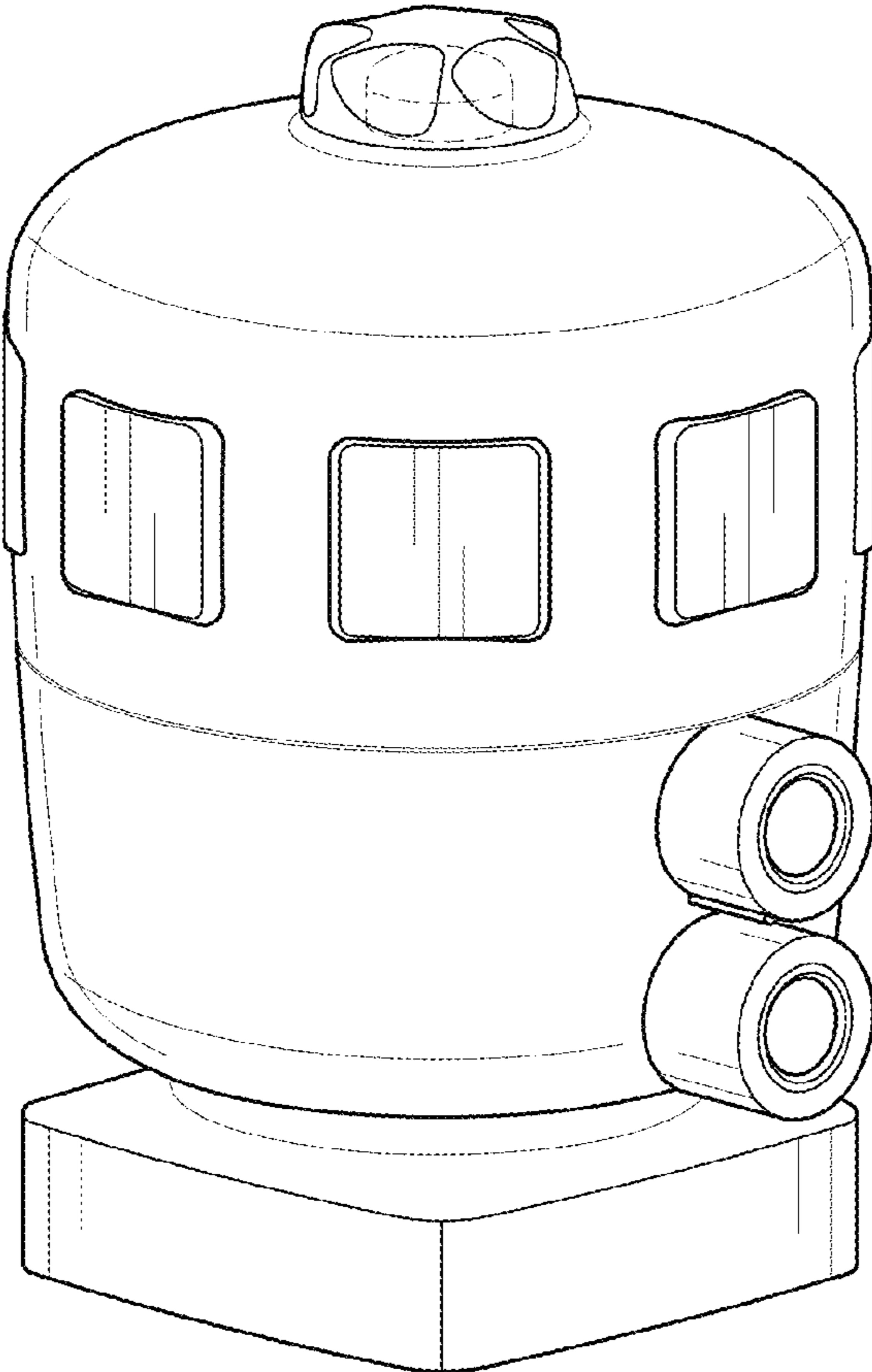


Fig-1

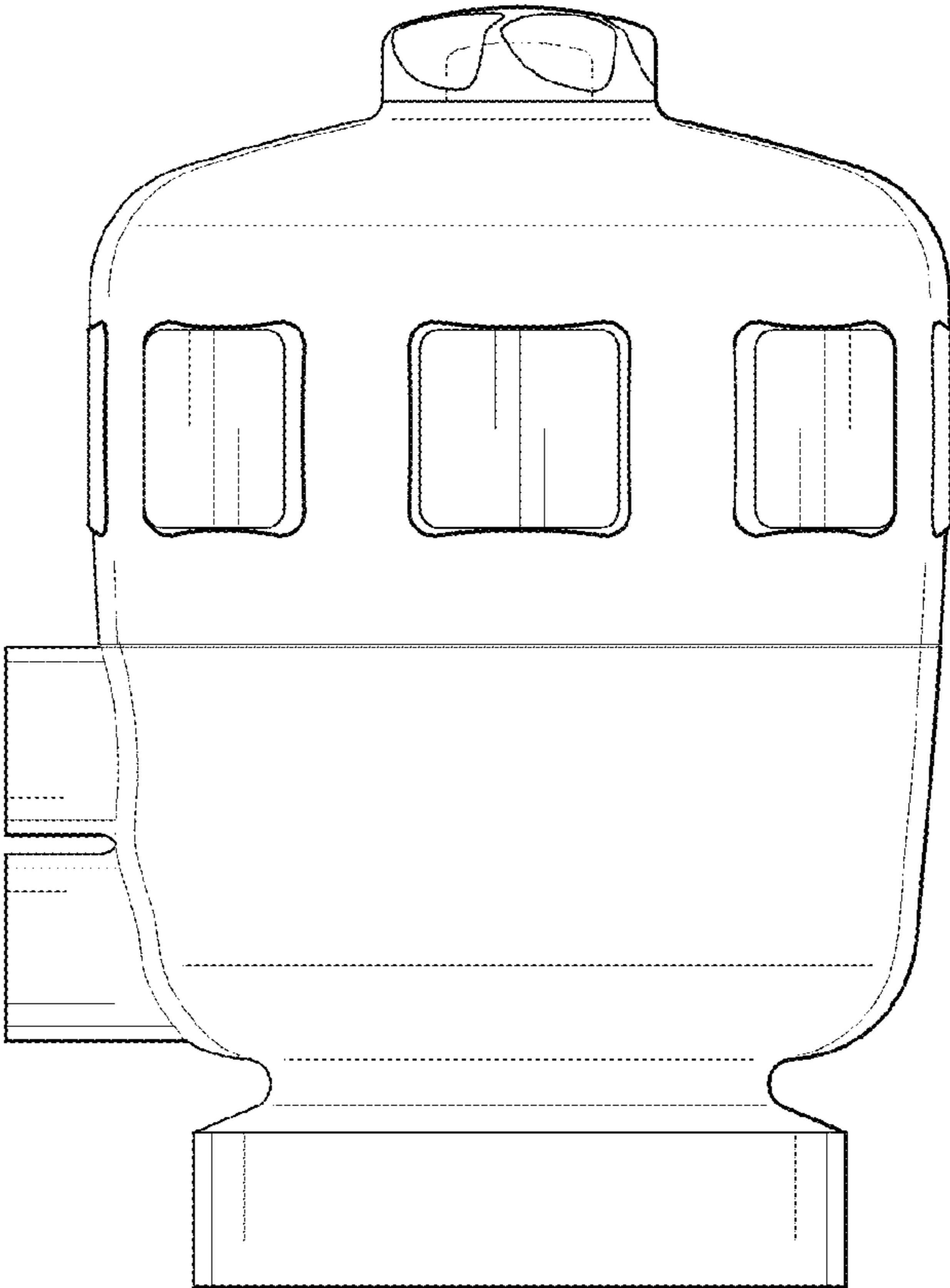


Fig-2

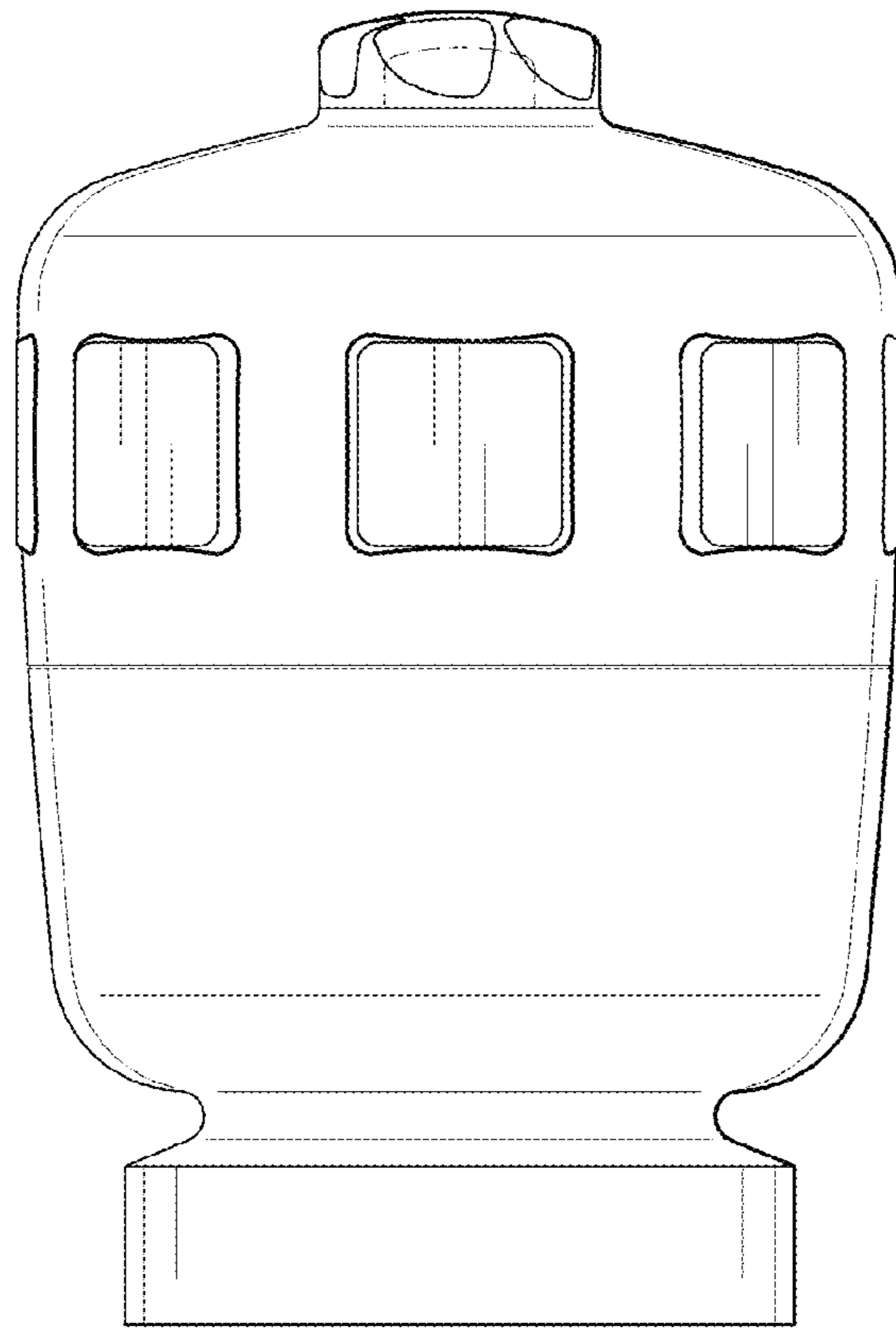


Fig-3

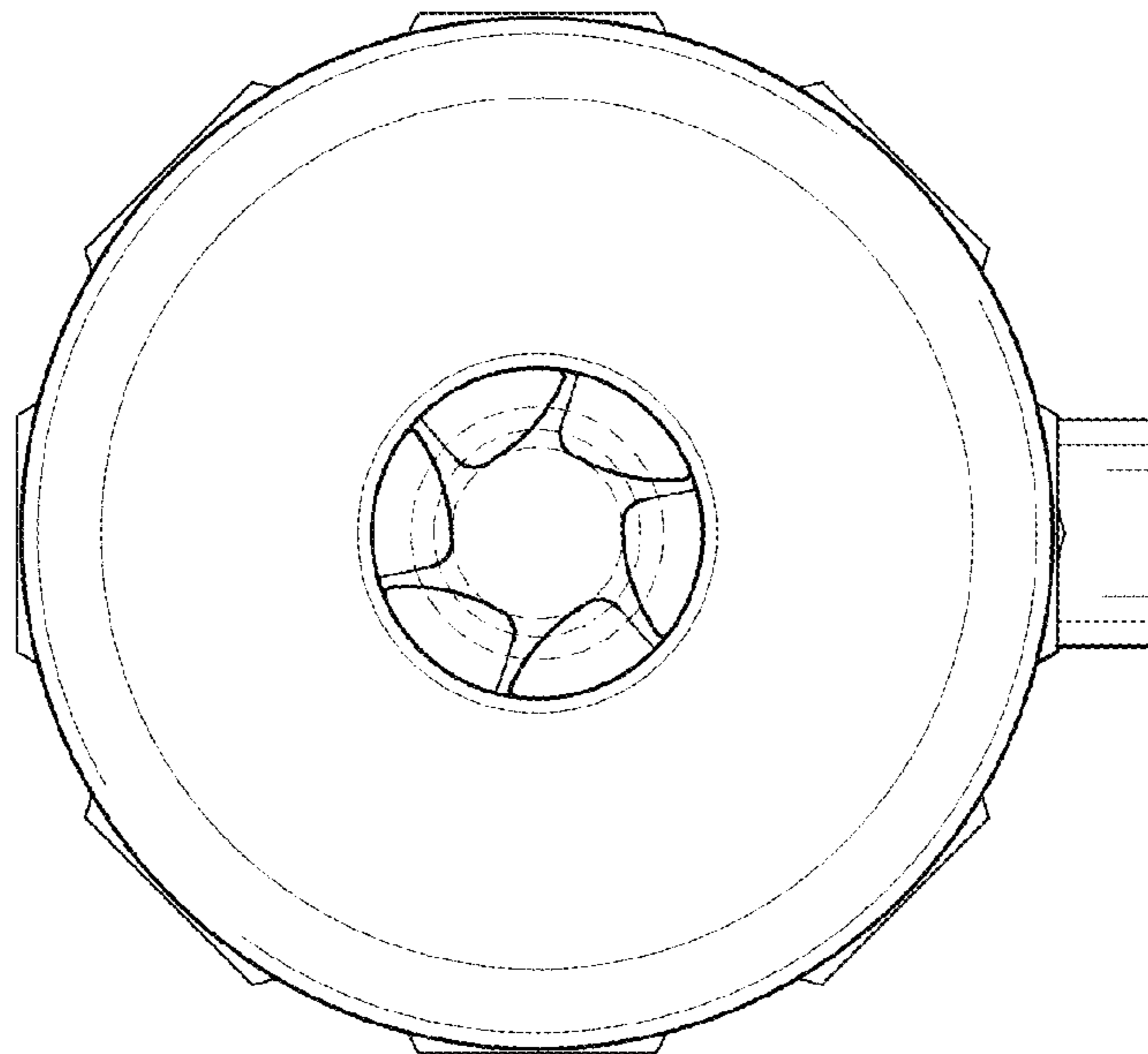


Fig-4

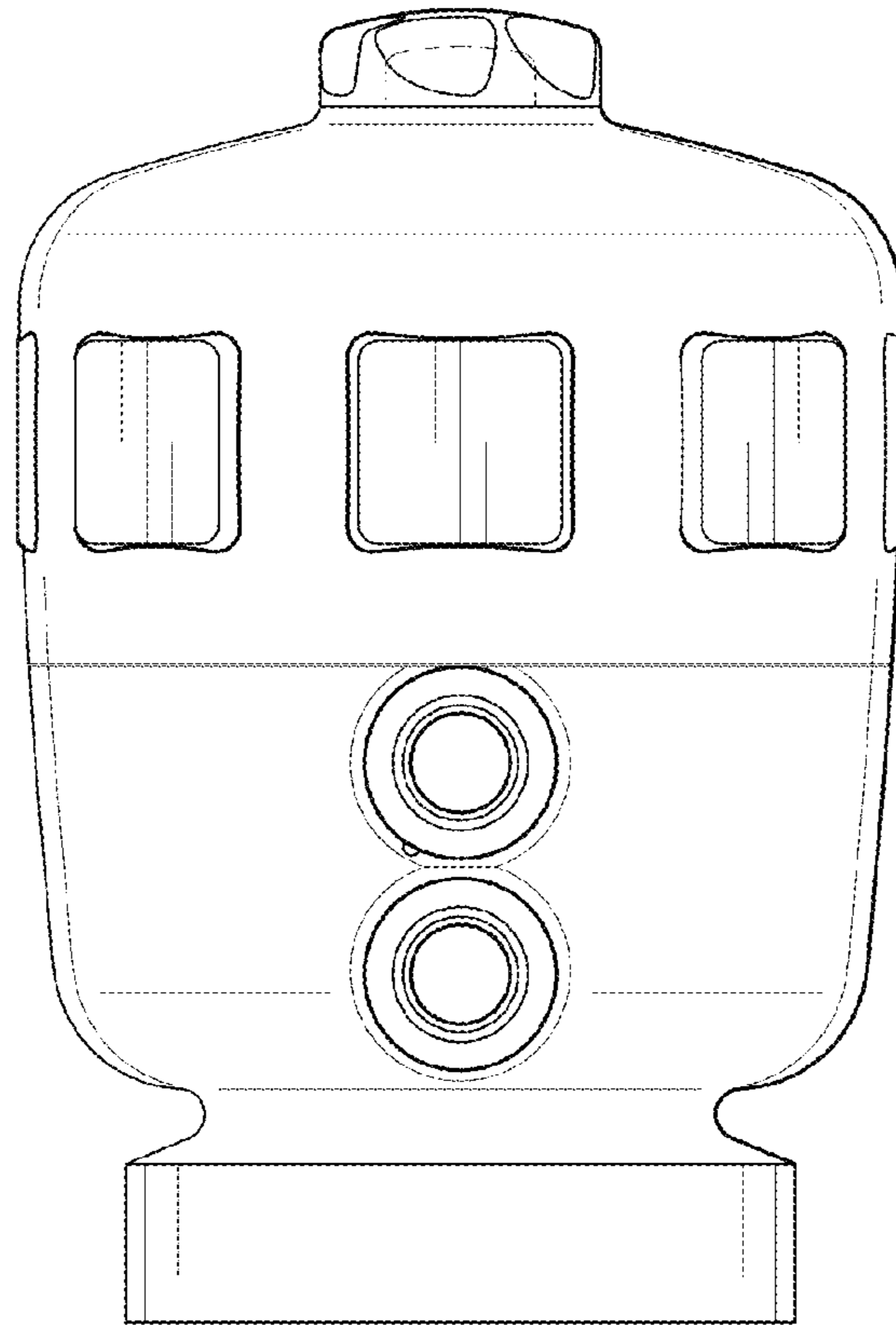


Fig-5

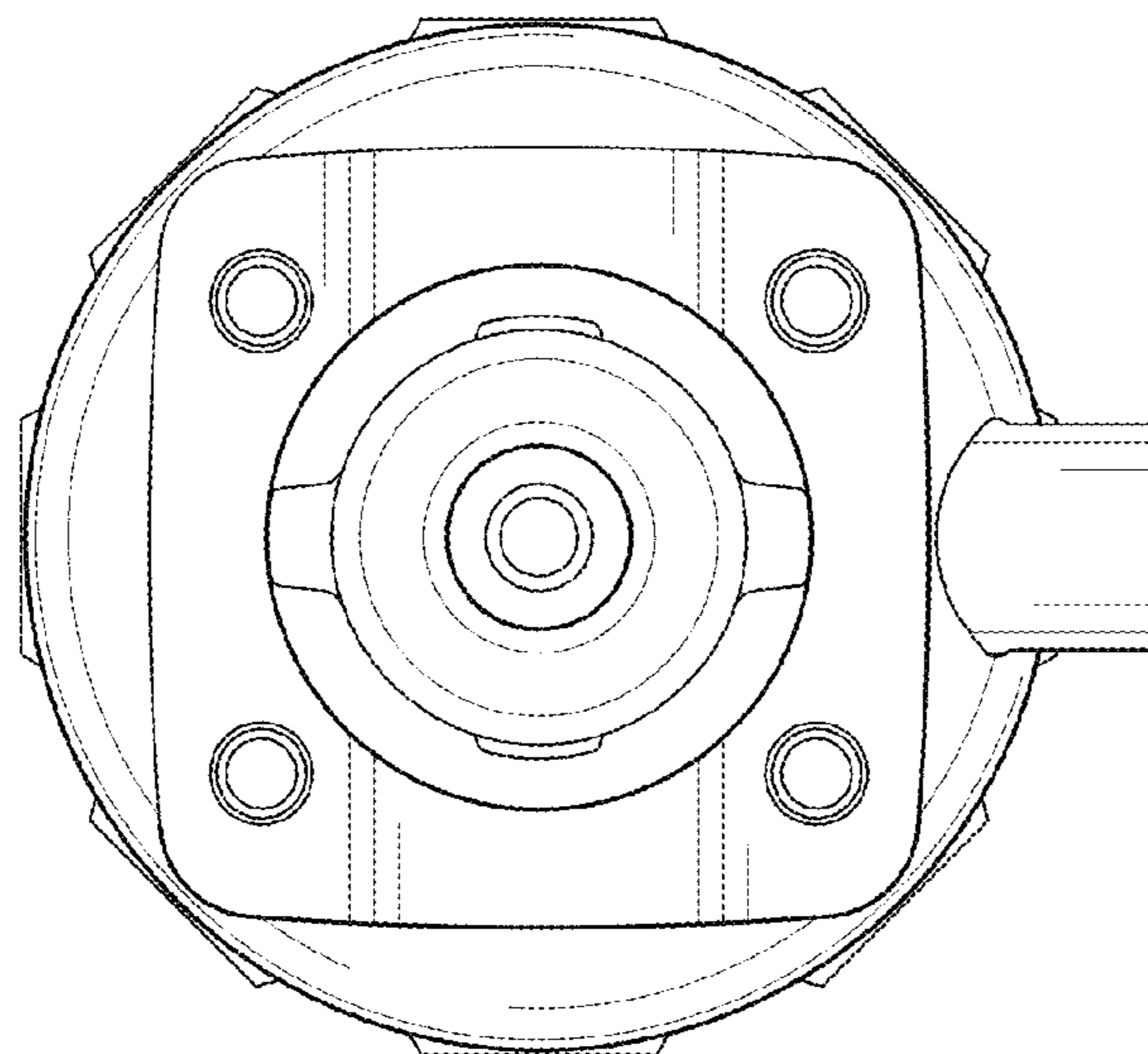


Fig-6

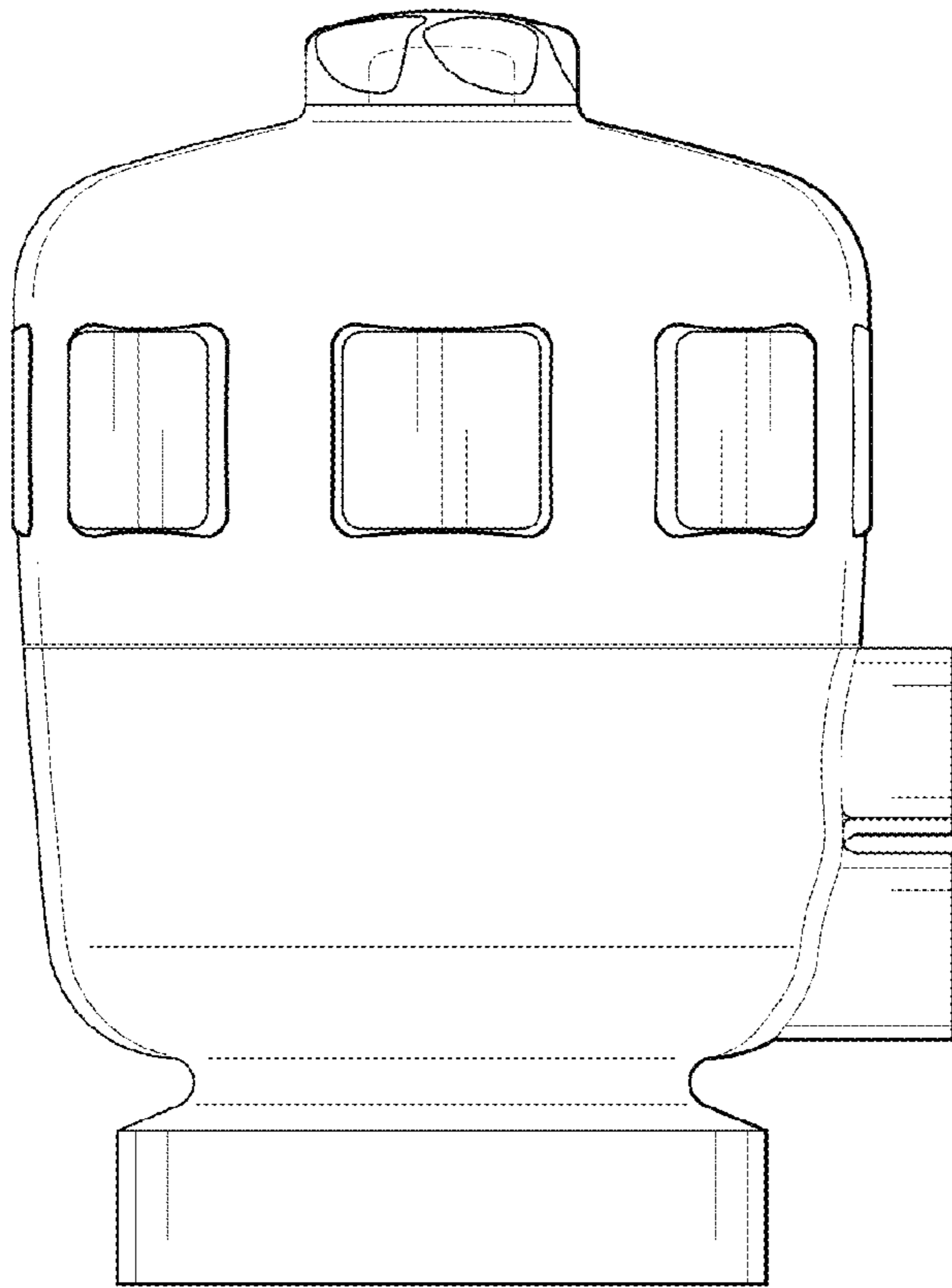


Fig-7

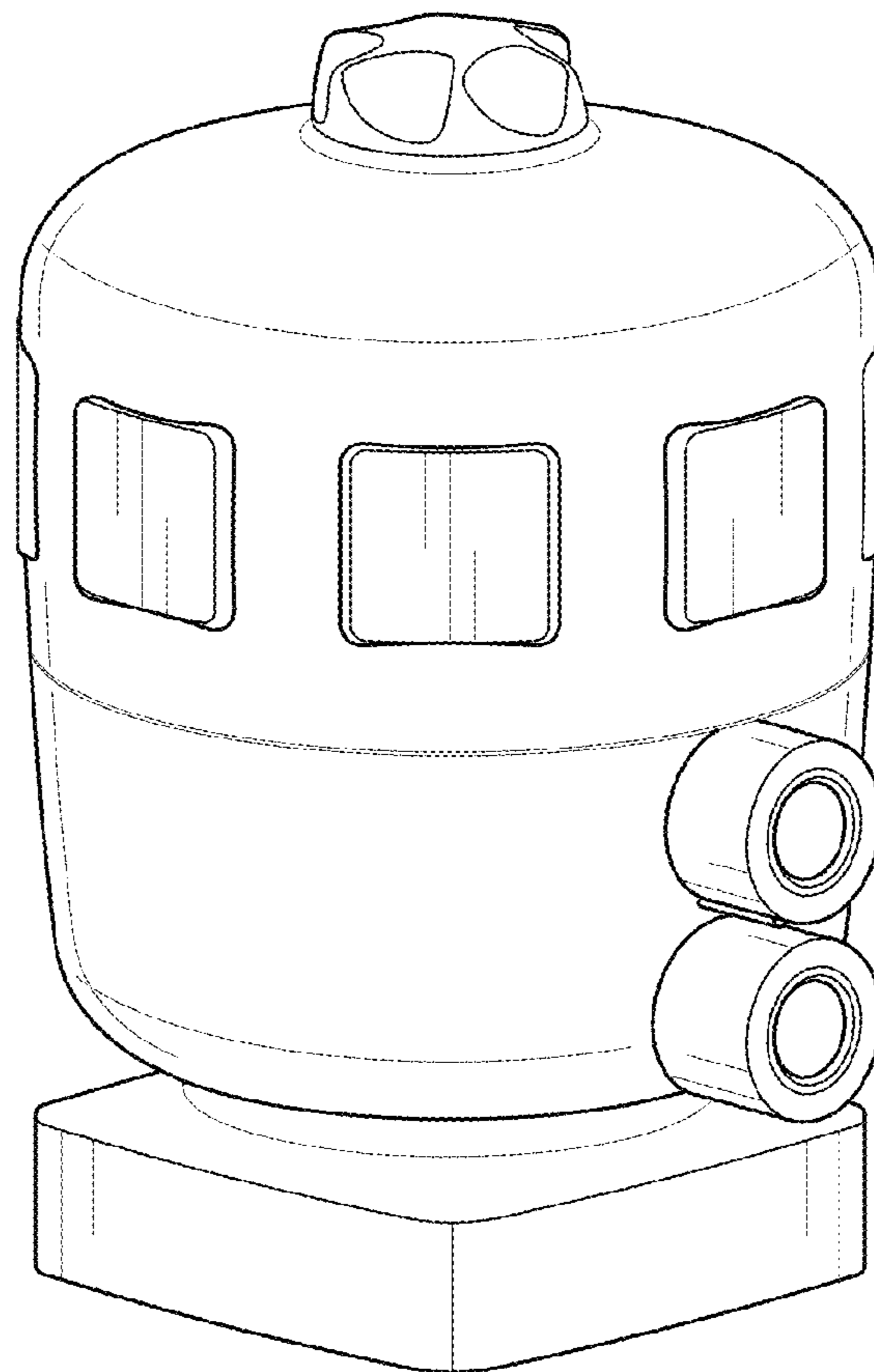


Fig-8

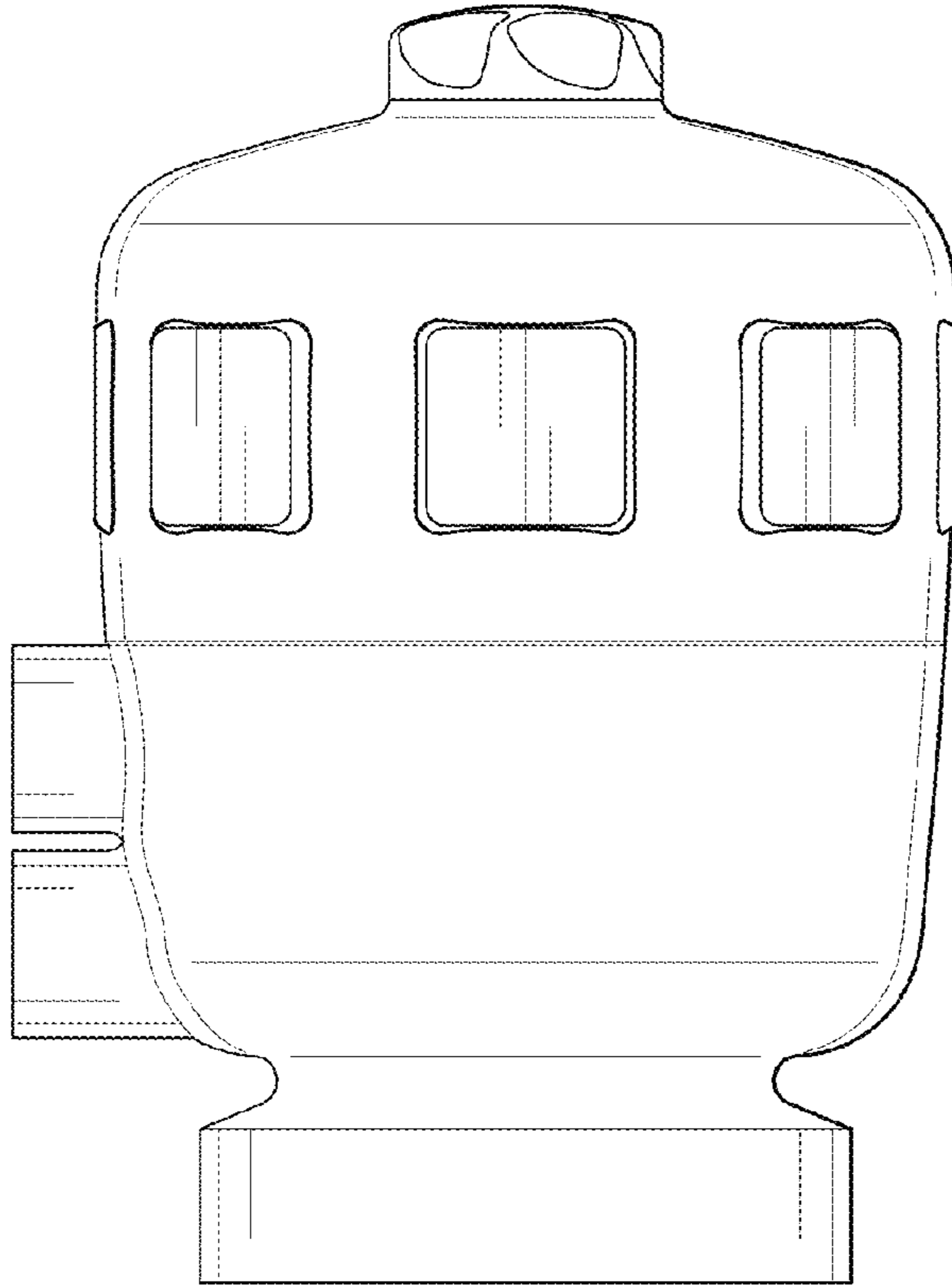


Fig-9

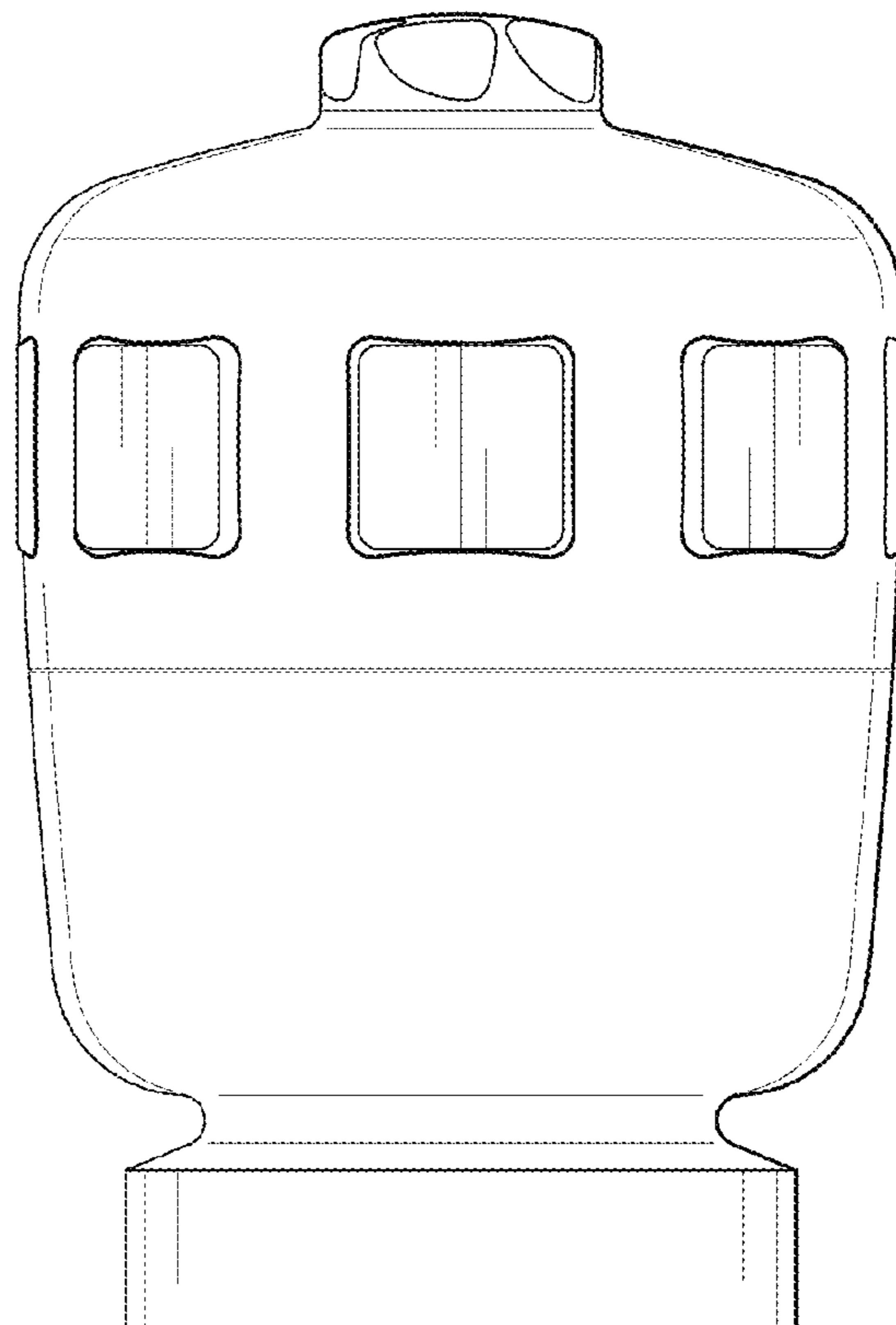


Fig-10

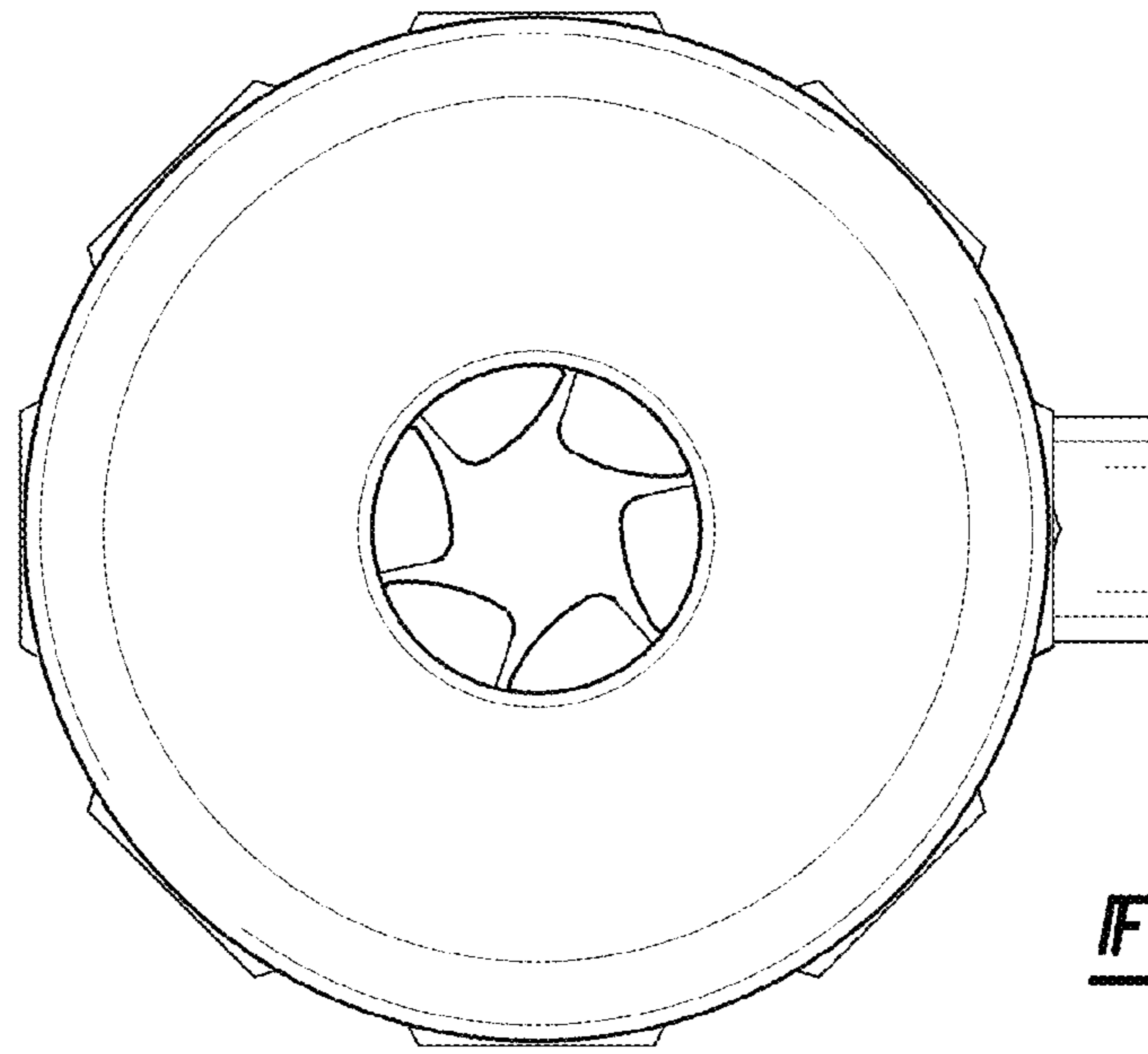


Fig-11

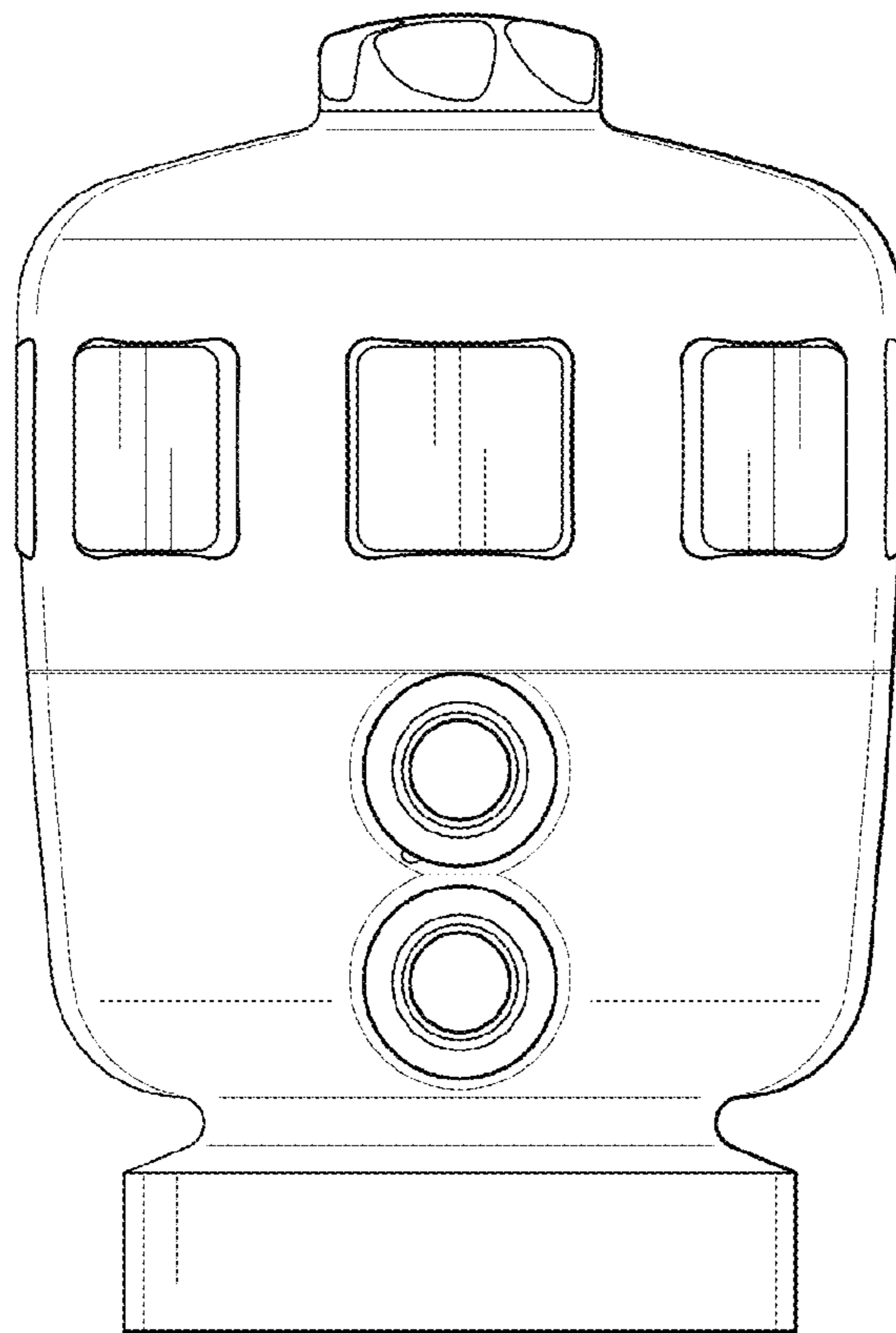


Fig-12

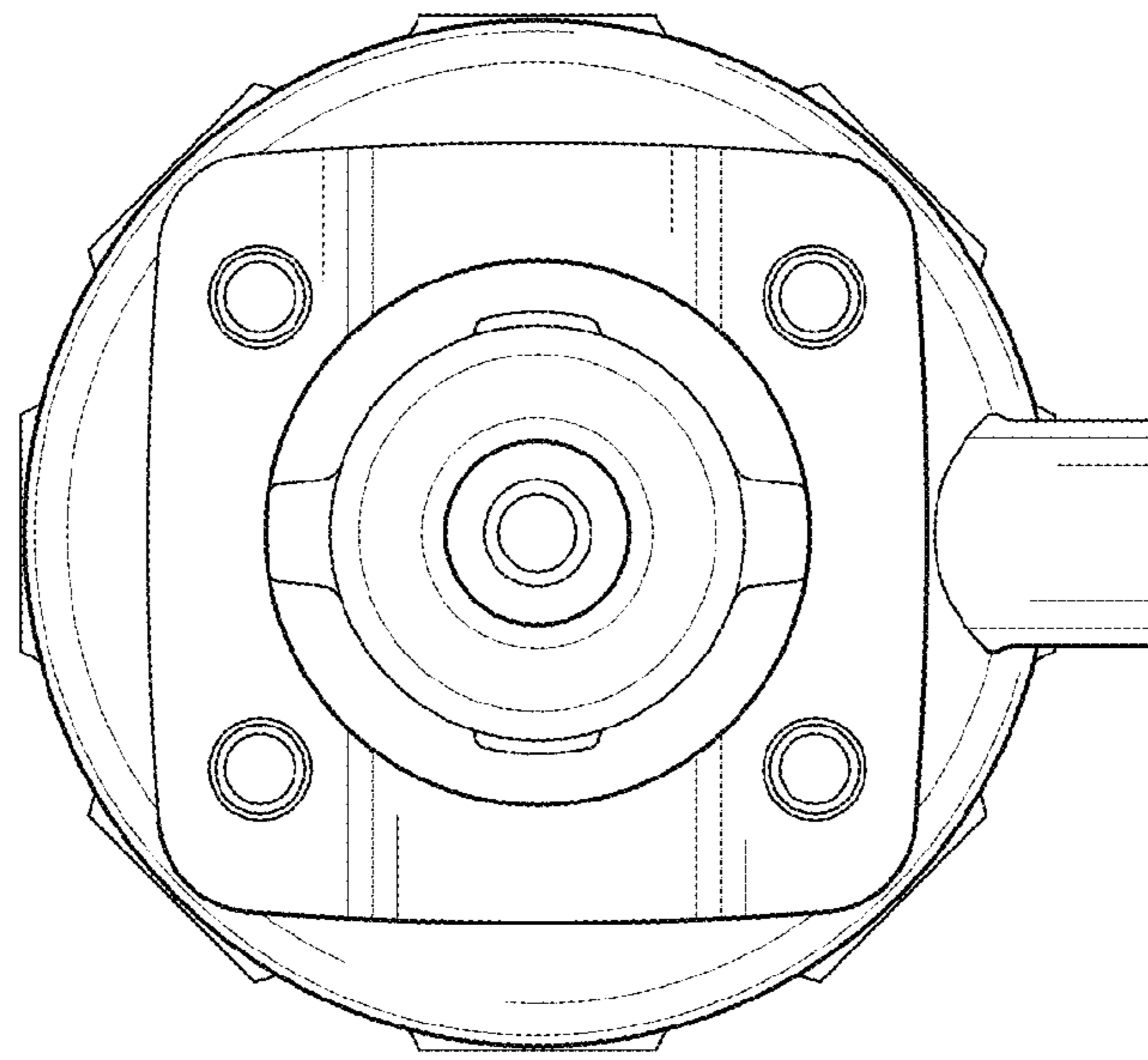


Fig-13

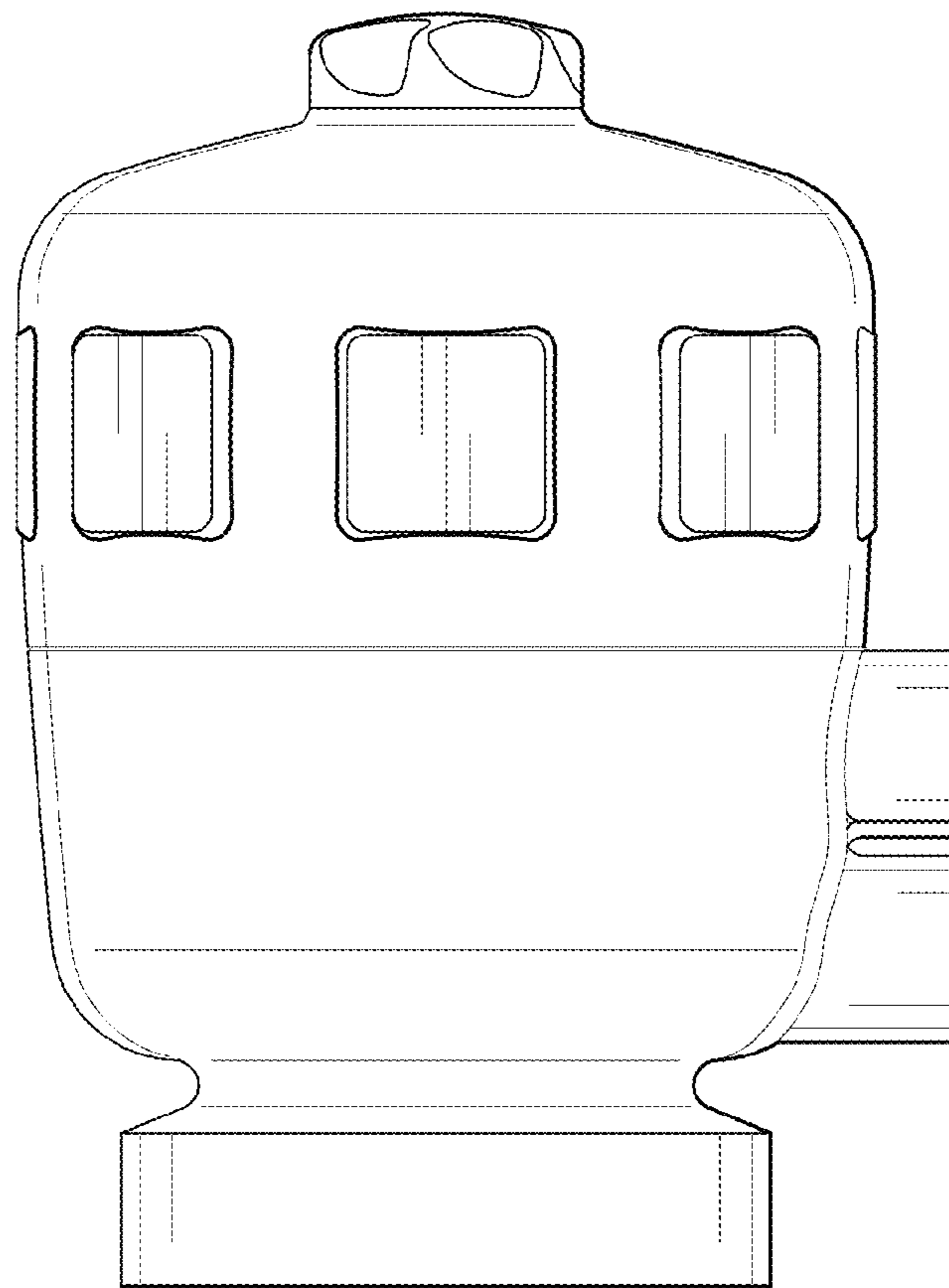


Fig-14

UNITED STATES PATENT AND TRADEMARK OFFICE
CERTIFICATE OF CORRECTION

PATENT NO. : D701,943 S
APPLICATION NO. : 29/410446
DATED : April 1, 2014
INVENTOR(S) : Gaertner

Page 1 of 1

It is certified that error appears in the above-identified patent and that said Letters Patent is hereby corrected as shown below:

ON THE TITLE PAGE:

In the Claim

Claim should read as:

--"We claim:

The ornamental design for a valve as shown and described."--

Signed and Sealed this
Twenty-second Day of July, 2014



Michelle K. Lee
Deputy Director of the United States Patent and Trademark Office