



US00D701937S

(12) **United States Design Patent**  
**Mancuso, Jr.**

(10) **Patent No.:** **US D701,937 S**  
(45) **Date of Patent:** **\*\* Apr. 1, 2014**

(54) **SET OF TWO IDENTICAL TOTE COMPONENTS FOR DRAGGING A GAME CARCASS**

(71) Applicant: **Joseph R Mancuso, Jr.**, Lagrange, OH (US)

(72) Inventor: **Joseph R Mancuso, Jr.**, Lagrange, OH (US)

(\*\*) Term: **14 Years**

(21) Appl. No.: **29/442,991**

(22) Filed: **Jun. 27, 2013**

**Related U.S. Application Data**

(63) Continuation-in-part of application No. 29/442,319, filed on Feb. 4, 2013, now Pat. No. Des. 690,388.

(51) **LOC (10) Cl.** ..... **22-99**

(52) **U.S. Cl.**  
USPC ..... **D22/199**

(58) **Field of Classification Search**  
USPC ..... D22/199; 224/103, 184, 576, 259-260, 224/638, 921; 294/150, 152-153, 137, 142, 294/81.2, 74, 167, 141, 146, 165; 43/5; 119/799; D34/28

See application file for complete search history.

D312,164 S	11/1990	Pierotti	.....	D34/28
D333,695 S	3/1993	Gatto et al.	.....	D22/199
5,316,356 A	5/1994	Nutting	.....	294/118
5,382,064 A	1/1995	Blais	.....	294/26
5,461,890 A	10/1995	LeFavor	.....	70/16
5,848,816 A	12/1998	Hancock	.....	294/15
5,901,999 A	5/1999	Brock	.....	294/153
5,951,080 A	9/1999	Wessner	.....	294/153
6,006,968 A	12/1999	McCarthy et al.	.....	224/184
6,089,636 A	7/2000	Harris	.....	294/150
6,129,399 A	10/2000	Burch, Sr.	.....	294/153
D434,199 S	11/2000	Alviso	.....	D34/28
6,142,547 A	11/2000	Bowerman	.....	294/150
6,250,699 B1	6/2001	Robertson	.....	294/153
6,334,444 B1	1/2002	Sisco	.....	128/869
6,360,747 B1	3/2002	Velarde et al.	.....	128/869
6,637,242 B2	10/2003	Masters	.....	70/16
D486,879 S	2/2004	Powell et al.	.....	D22/199
6,755,454 B1	6/2004	Cary	.....	294/150
7,487,565 B1	2/2009	Sundling et al.	.....	294/153
D603,014 S	10/2009	Rice	.....	D22/199
7,896,416 B2	3/2011	Carter	.....	294/167
D643,991 S	8/2011	Miller et al.	.....	D34/28
8,062,107 B1	11/2011	Sauer	.....	452/197
8,292,341 B1	10/2012	Sokoly	.....	294/152

*Primary Examiner* — Catheri Oliver-Garcia

(74) *Attorney, Agent, or Firm* — David A. Burge

(57) **CLAIM**

I claim the ornamental design for a set of two identical tote components for dragging a game carcass, substantially as shown and described.

**DESCRIPTION**

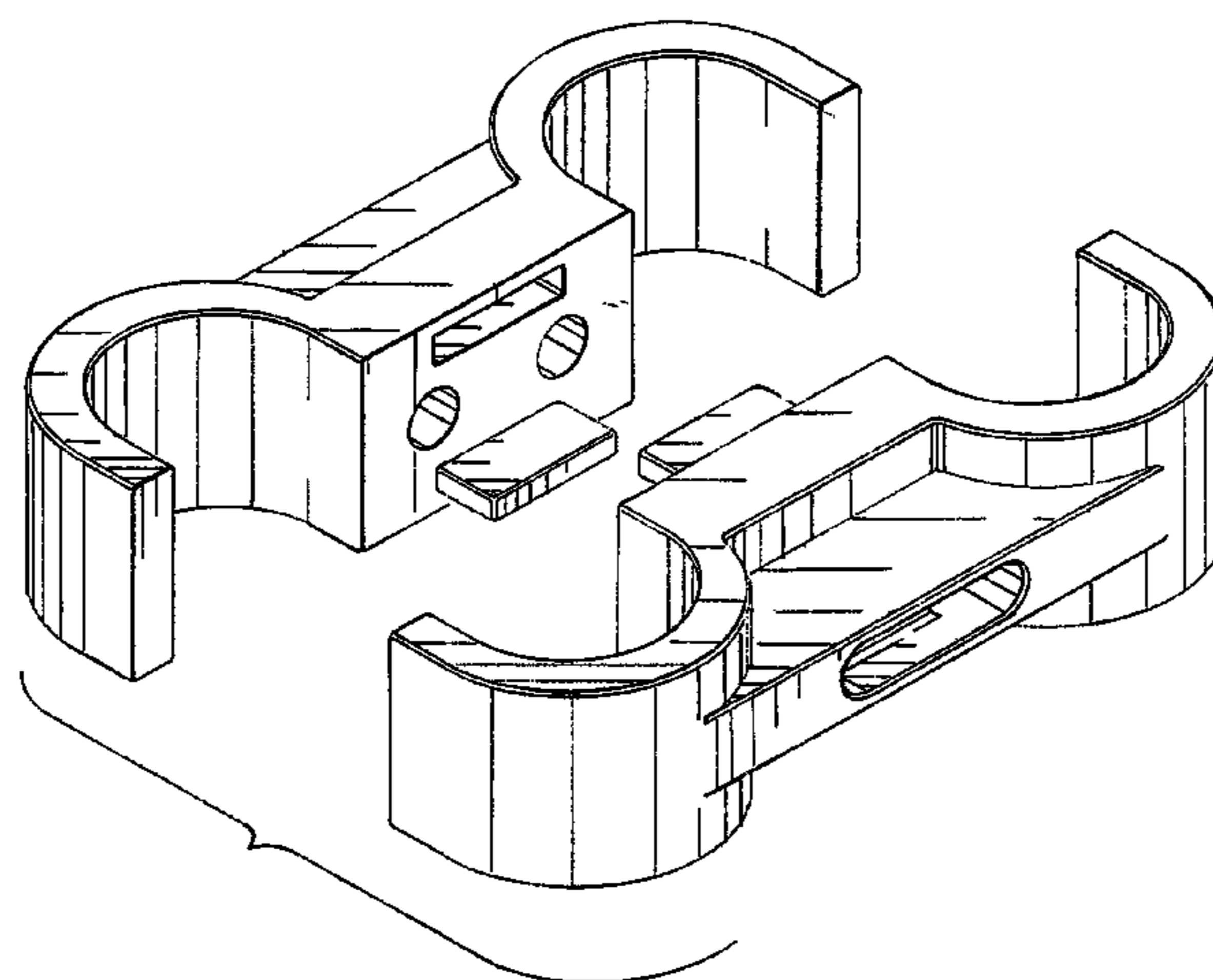
FIG. 1 is a perspective view of a set of two identical tote components showing my new design;  
FIG. 2 is a top view of one of the two identical components, it being understood that a bottom view is identical thereto;  
FIG. 3 is a rear view thereof;  
FIG. 4 is a front view thereof; and,  
FIG. 5 is a right end view thereof, it being understood that a left end view is a mirror image thereof.

**1 Claim, 2 Drawing Sheets**

(56) **References Cited**

**U.S. PATENT DOCUMENTS**

115,691 A	6/1871	Brent	.....	119/861
738,983 A	9/1903	Burdick	.....	70/16
1,536,551 A	5/1925	Young	.....	119/819
3,038,644 A	6/1962	Johnson	.....	224/184
4,132,427 A	1/1979	McGee	.....	280/19
4,243,164 A	1/1981	Burlison et al.	.....	224/52
4,351,169 A	9/1982	Plymale	.....	70/16
4,638,764 A	1/1987	Anderson	.....	119/96
4,828,307 A	5/1989	Sokol et al.	.....	294/79
4,854,138 A	8/1989	Charland	.....	70/16



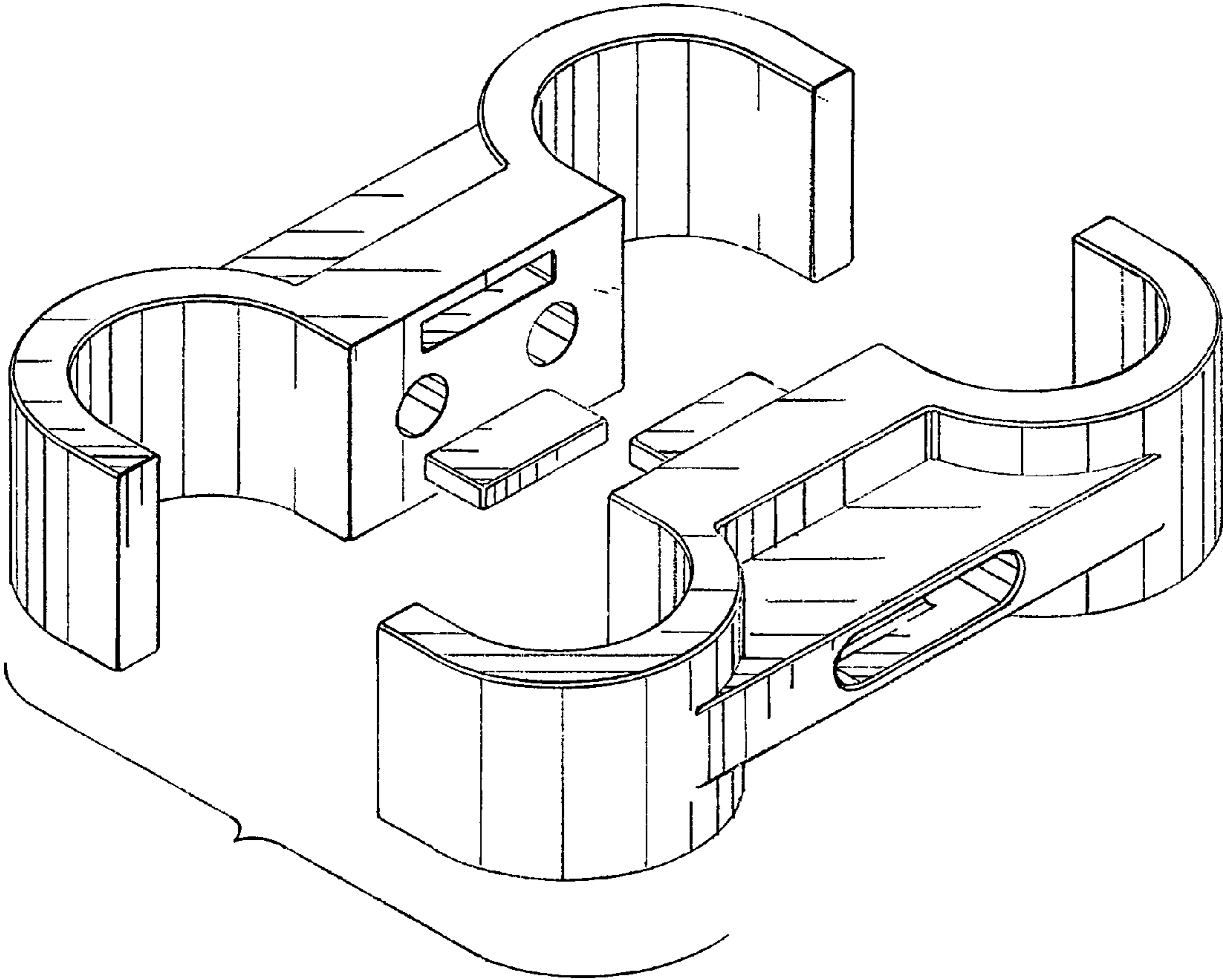


FIG. 1

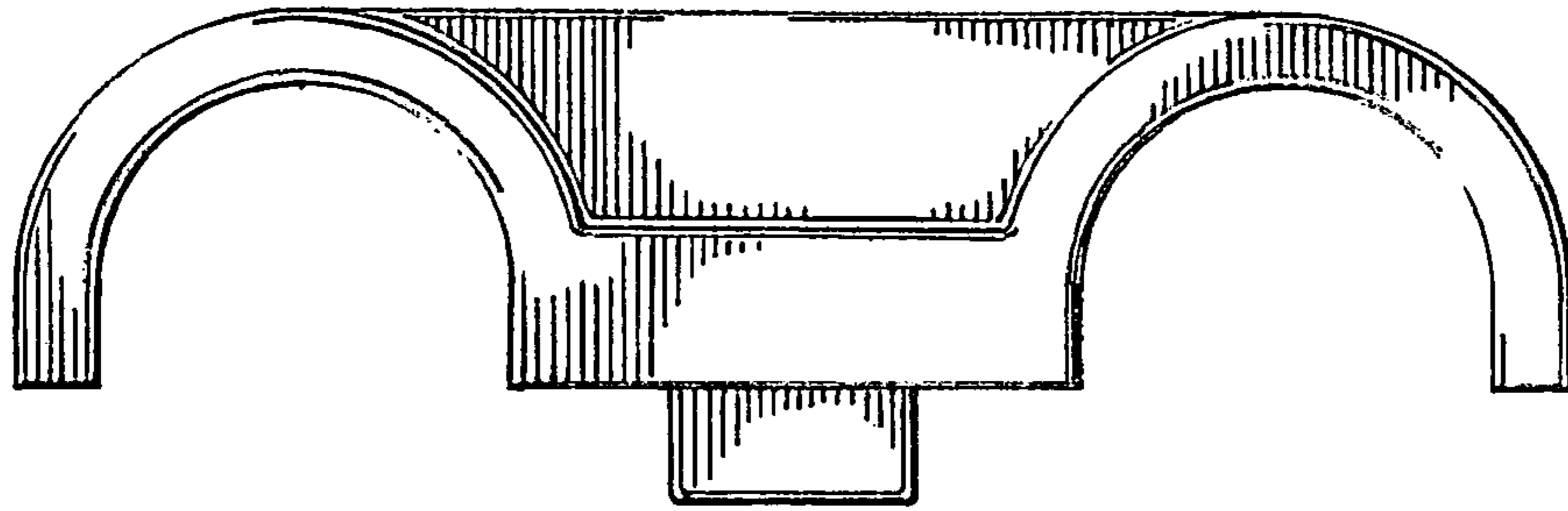


FIG. 2

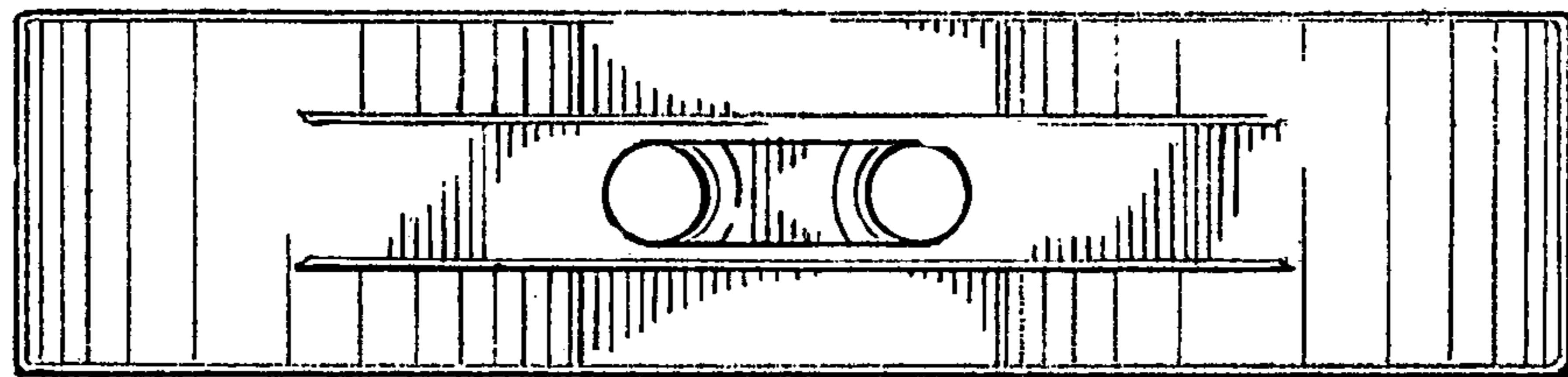


FIG. 3

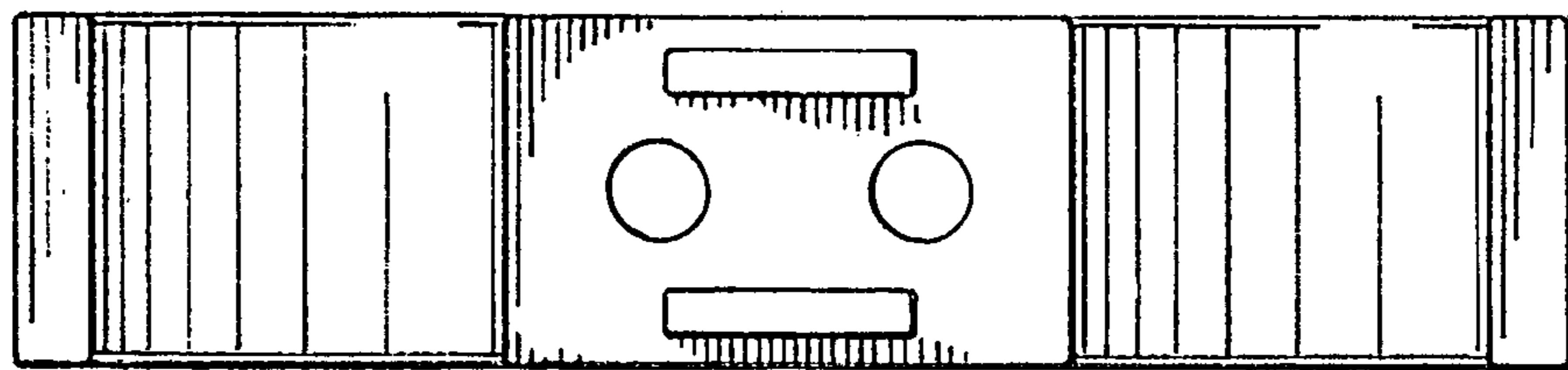


FIG. 4

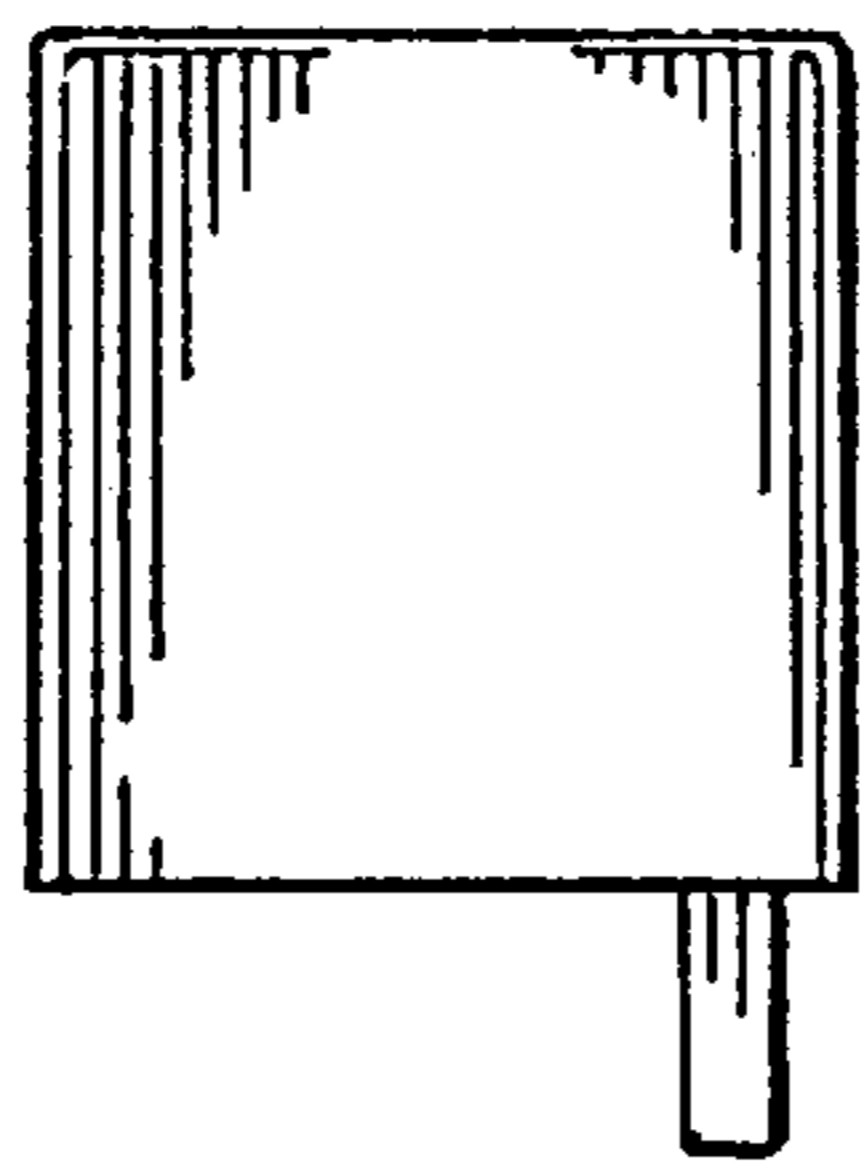


FIG. 5