



US00D701936S

(12) **United States Design Patent**  
**Kotze**

(10) **Patent No.:** **US D701,936 S**  
(45) **Date of Patent:** **\*\* Apr. 1, 2014**

(54) **BIRD REPELLENT DEVICE**

(71) Applicant: **Eagle Eye Bird Control Trust,**  
Kuilsriver (ZA)

(72) Inventor: **John Abraham Kotze,** Stellenbosch  
(ZA)

(73) Assignee: **Eagle Eye Bird Control Trust,**  
Stellenbosch (ZA)

(\*\*) Term: **14 Years**

(21) Appl. No.: **29/461,337**

(22) Filed: **Jul. 22, 2013**

(51) **LOC (10) Cl.** ..... **22-06**

(52) **U.S. Cl.**  
USPC ..... **D22/120**

(58) **Field of Classification Search**  
USPC ..... D22/119-124; 43/1-2, 58; 119/537,  
119/713; D10/59

See application file for complete search history.

(56) **References Cited**

U.S. PATENT DOCUMENTS

D359,099	S	*	6/1995	Sugimoto	.....	D22/119
D377,960	S	*	2/1997	Wood	.....	D22/120
D388,151	S	*	12/1997	Shaw	.....	D22/120
D404,107	S	*	1/1999	Dimston	.....	D22/120
D534,236	S	*	12/2006	Zecher	.....	D22/120
7,671,280	B1	*	3/2010	Fairchild	.....	52/101

\* cited by examiner

*Primary Examiner* — Catheri Oliver-Garcia  
(74) *Attorney, Agent, or Firm* — Haugen Law Firm PLLP

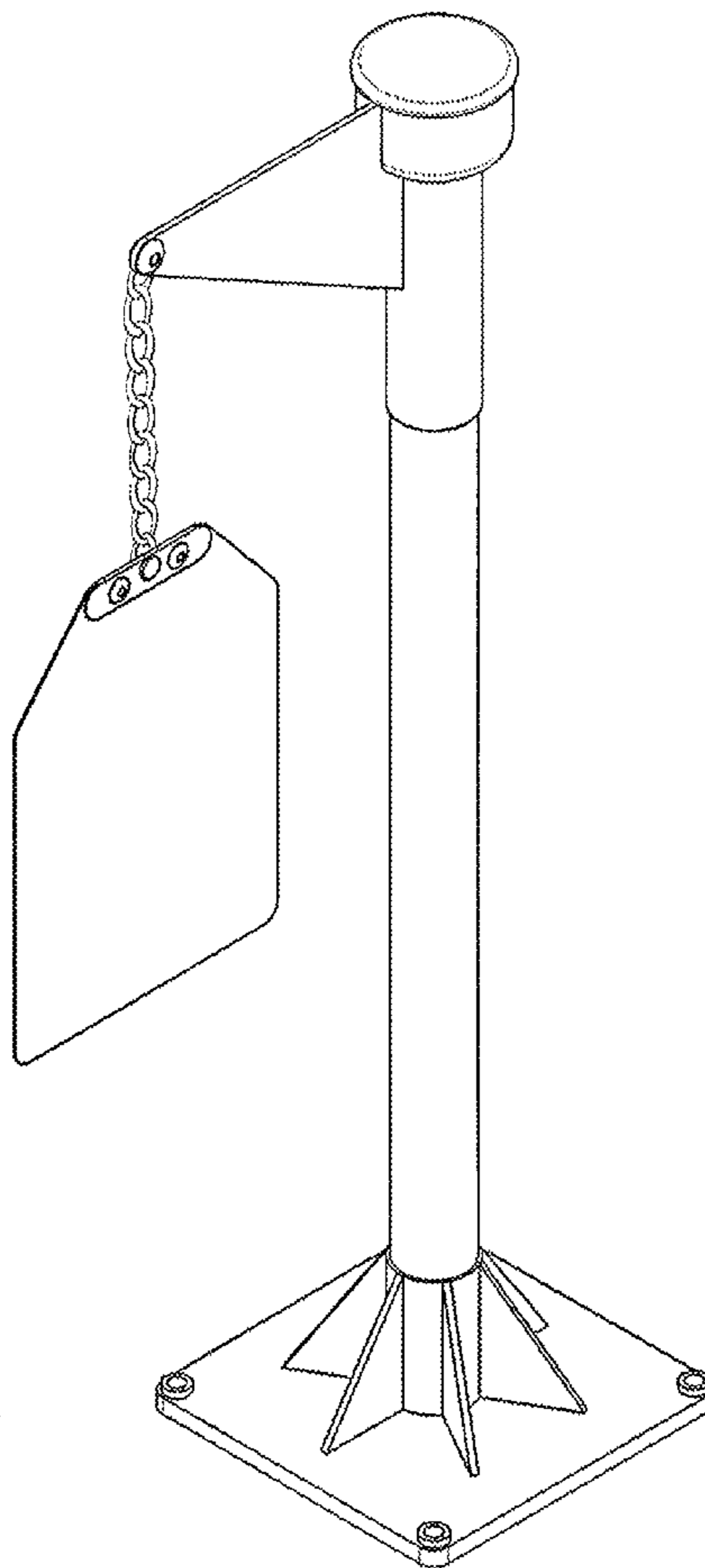
(57) **CLAIM**

The ornamental design for a bird repellent device, as shown and described.

**DESCRIPTION**

FIG. 1 is a perspective view of the design;  
FIG. 2 is a front elevational view of the design;  
FIG. 3 is a rear elevational view of the design;  
FIG. 4 is a left side elevational view of the design;  
FIG. 5 is a right side elevational view of the design;  
FIG. 6 is a top plan view of the design; and,  
FIG. 7 is a bottom plan view of the design.

**1 Claim, 4 Drawing Sheets**



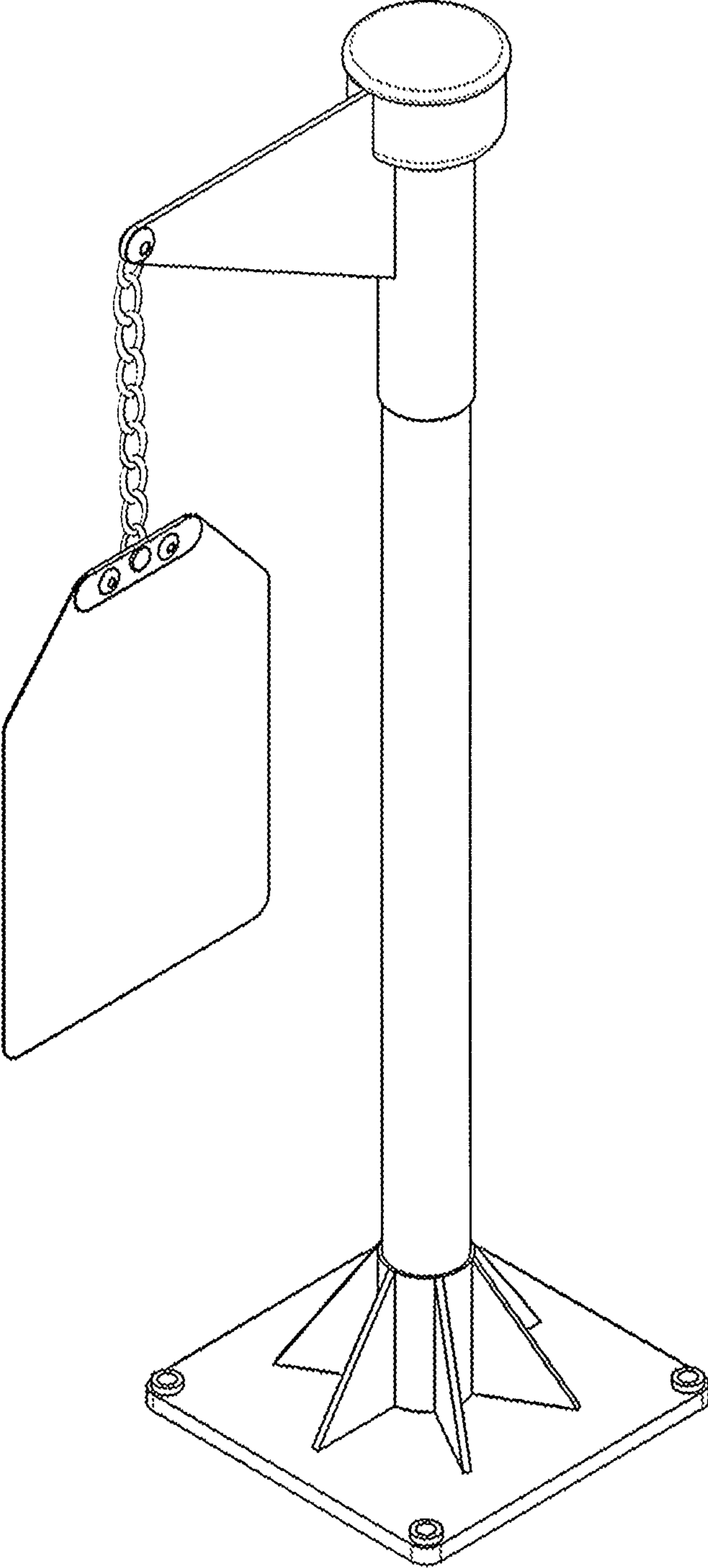


FIGURE 1

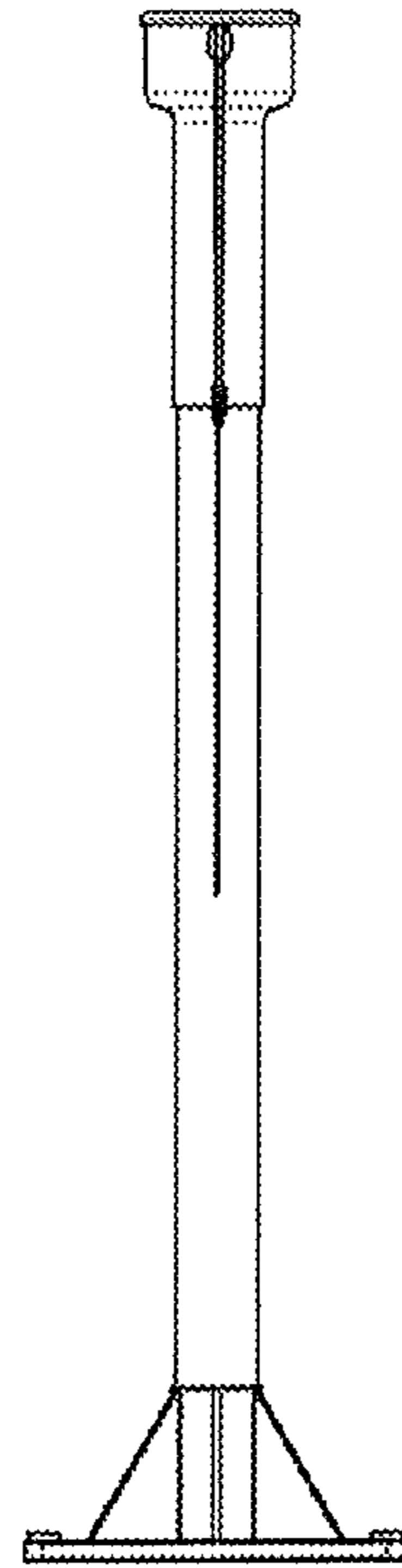


FIGURE 2

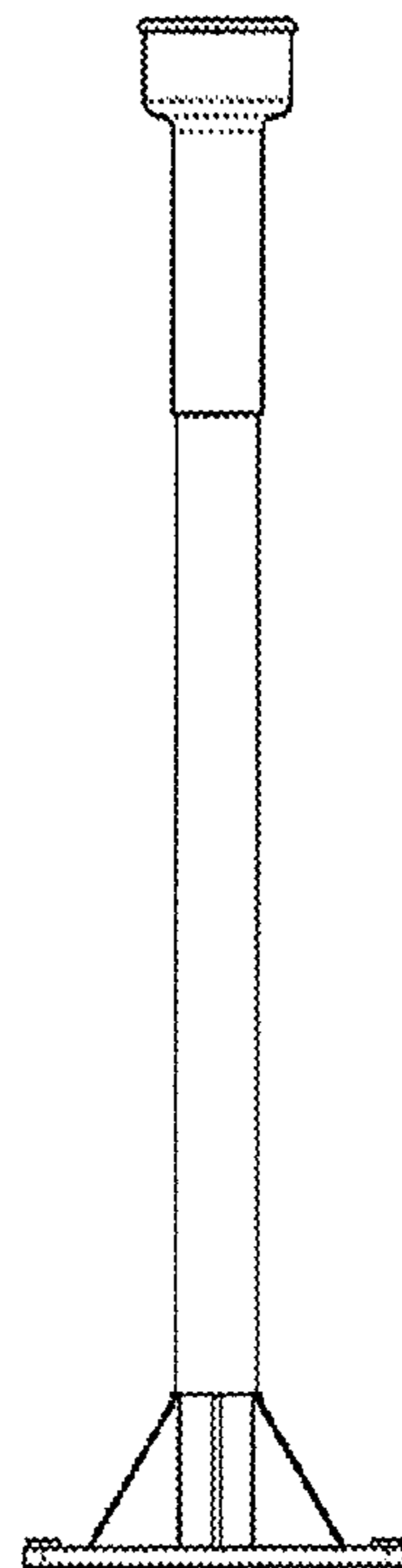


FIGURE 3

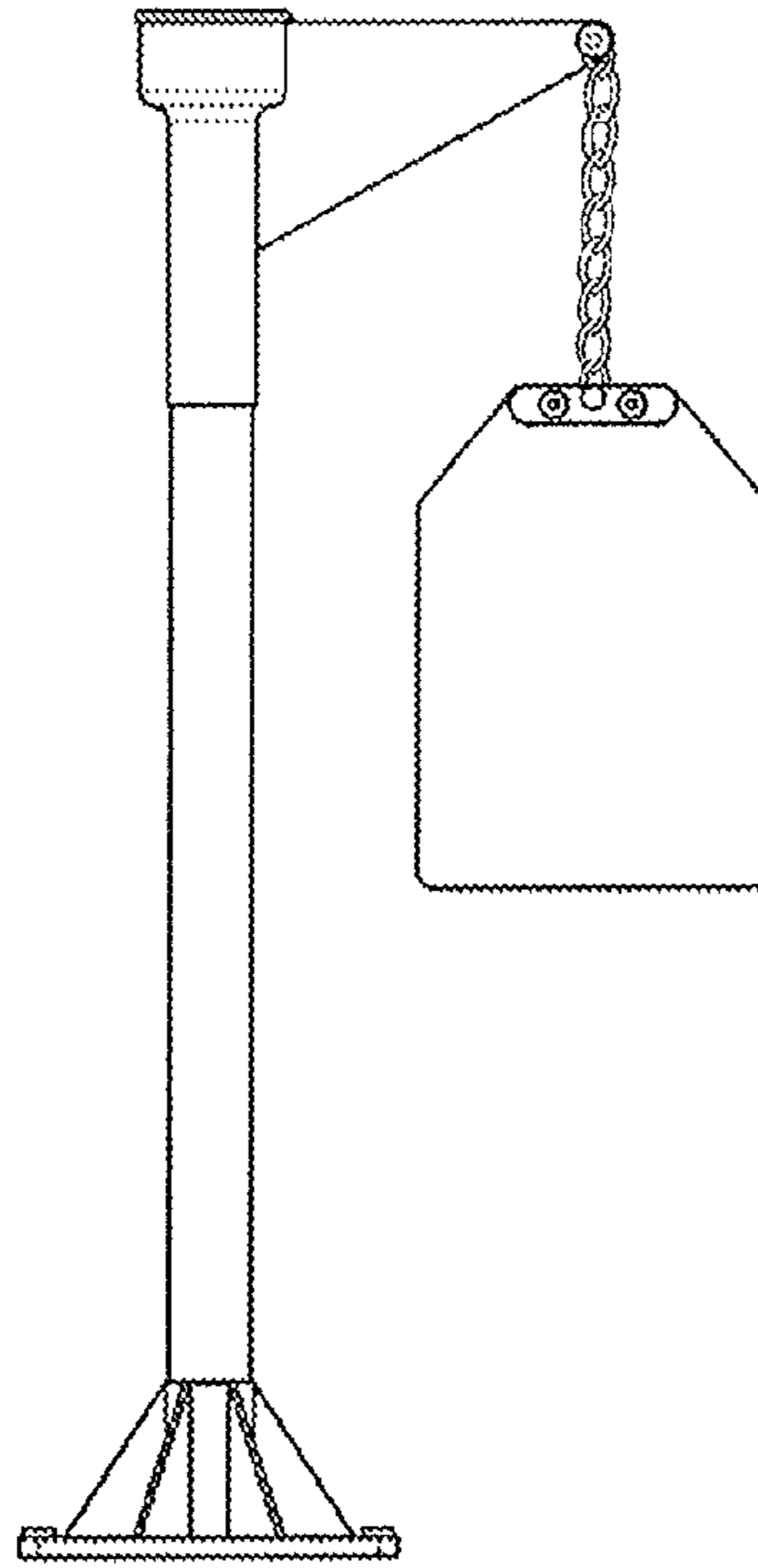


FIGURE 4

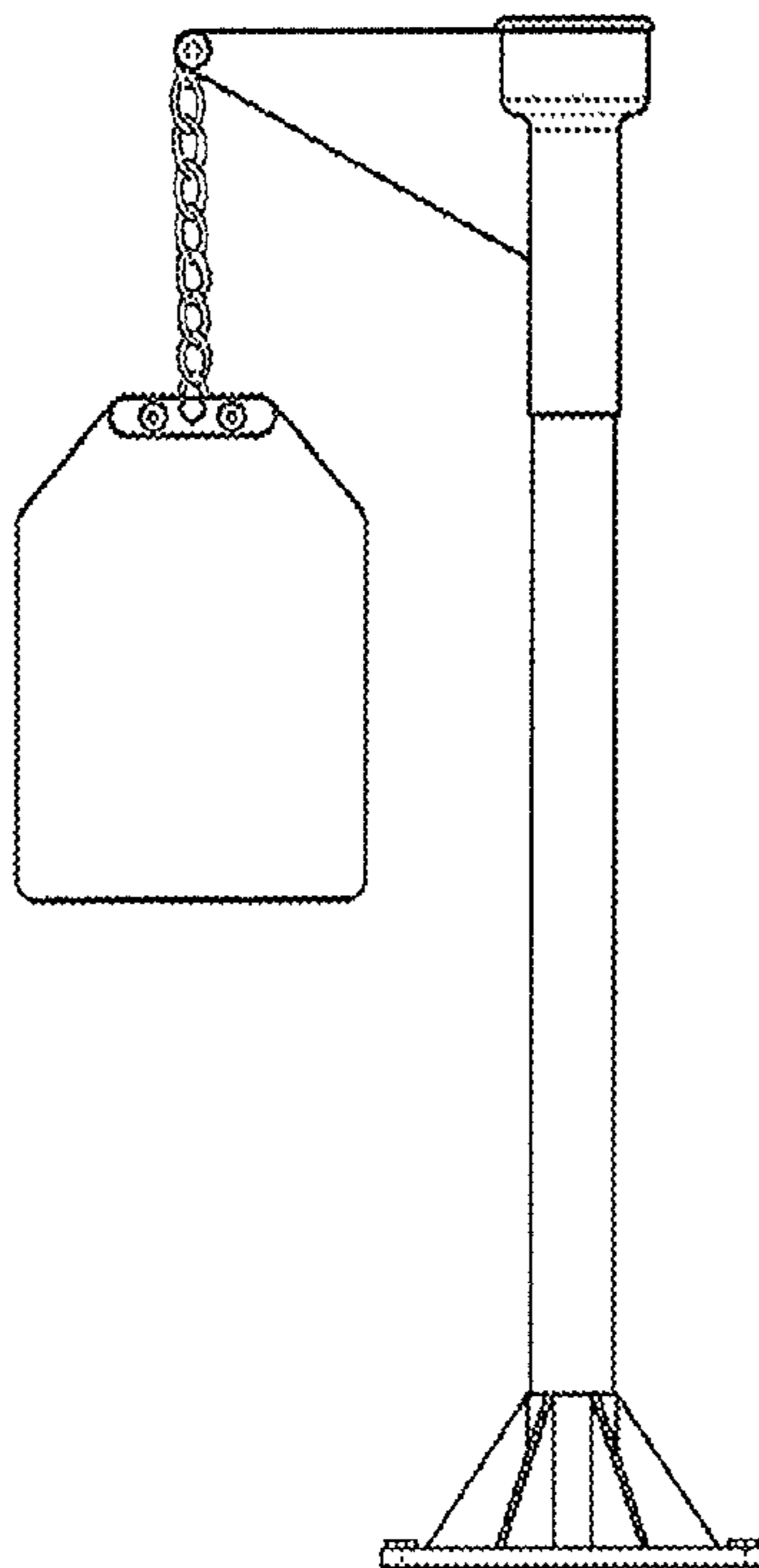


FIGURE 5

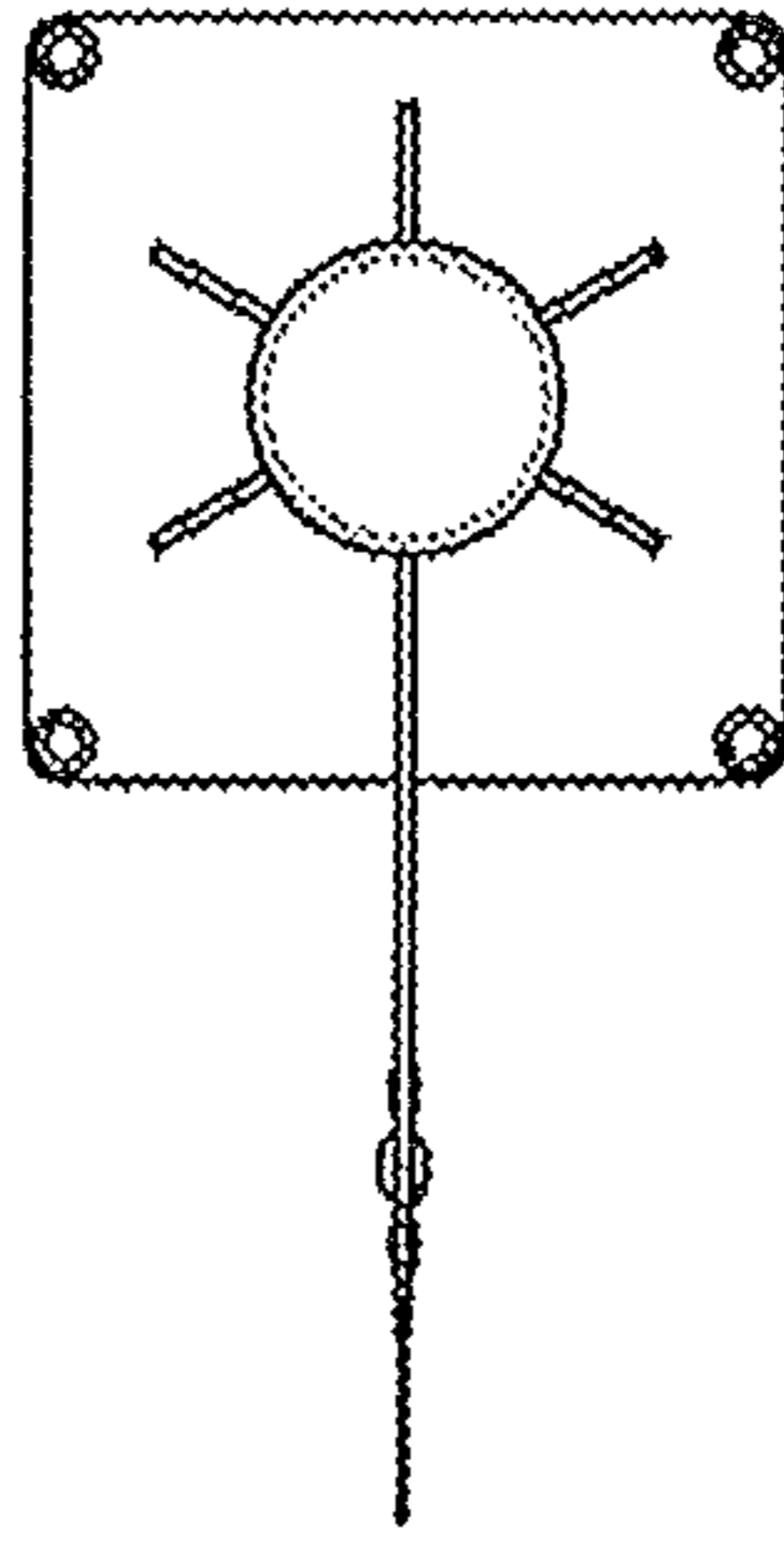


FIGURE 6

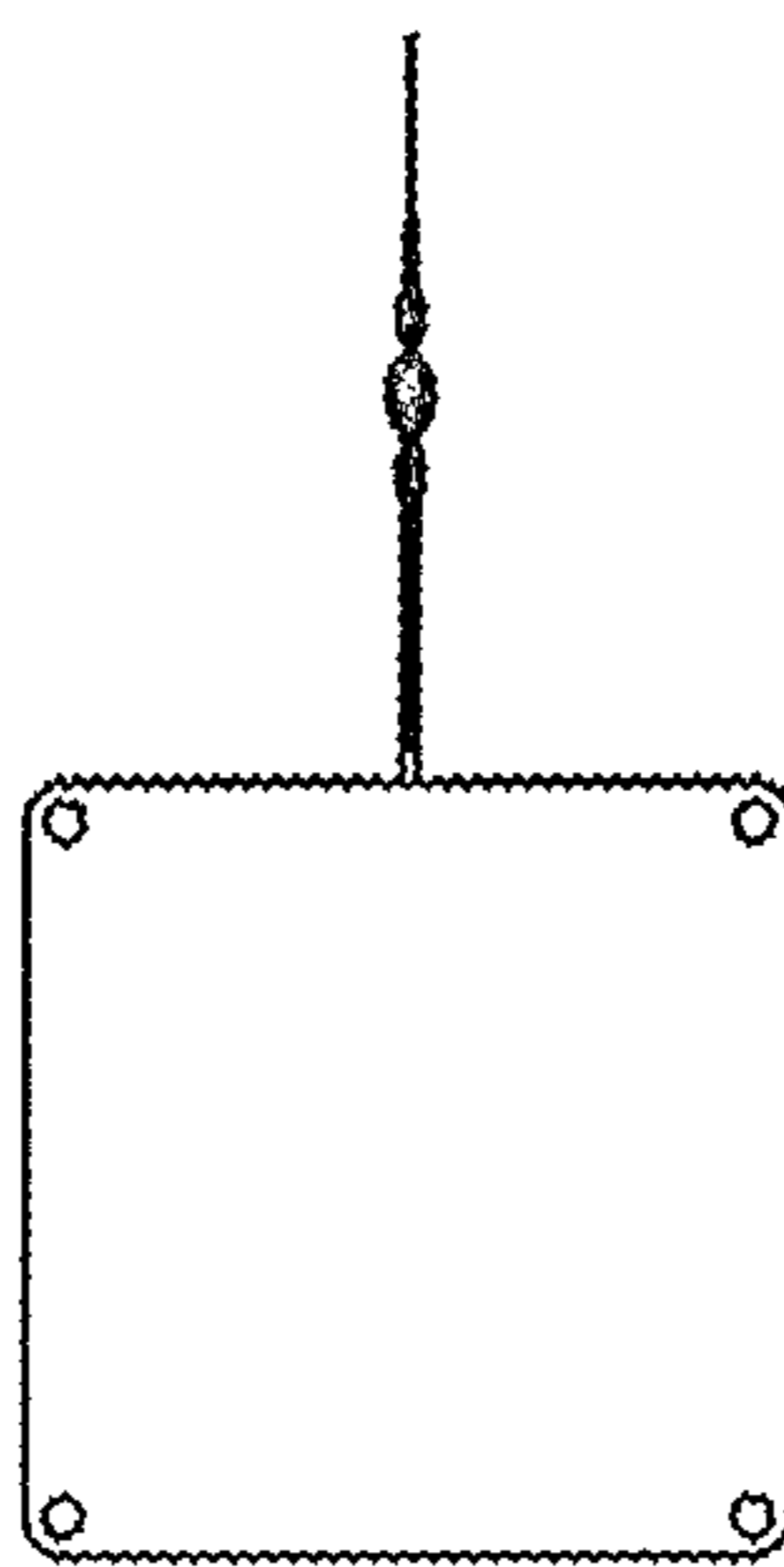


FIGURE 7