



US00D701935S

(12) **United States Design Patent**
Gokay et al.

(10) **Patent No.:** **US D701,935 S**

(45) **Date of Patent:** **** *Apr. 1, 2014**

(54) **INTEGRATED TARGETING SYSTEM**

(75) Inventors: **M. Cem Gokay**, Dayton, OH (US);
Michael O. Clark, Dayton, OH (US)

(73) Assignee: **Innova, Inc.**, Centerville, OH (US)

(*) Notice: This patent is subject to a terminal disclaimer.

(**) Term: **14 Years**

(21) Appl. No.: **29/414,519**

(22) Filed: **Feb. 29, 2012**

(51) **LOC (10) Cl.** **22-01**

(52) **U.S. Cl.**
USPC **D22/109**

(58) **Field of Classification Search**
USPC D22/108-109; 359/399, 823, 744;
42/111, 133, 119, 122; D16/132, 130,
D16/133, 330, 134; 33/DIG. 21
See application file for complete search history.

(56) **References Cited**

U.S. PATENT DOCUMENTS

D256,129	S *	7/1980	Mitsui	D16/132
5,025,149	A	6/1991	Hatfield, Jr.		
D325,041	S *	3/1992	Wissing et al.	D16/132
5,336,899	A	8/1994	Nettleton et al.		
5,497,266	A	3/1996	Owen		
5,530,246	A	6/1996	Hawkins		
5,892,617	A	4/1999	Wallace		
5,903,996	A	5/1999	Morley		
5,973,315	A	10/1999	Saldana et al.		
6,072,565	A	6/2000	Porter		
6,204,961	B1	3/2001	Anderson et al.		
D453,301	S *	2/2002	Vermillion	D10/66
6,362,872	B1	3/2002	Berdanier		
6,422,508	B1	7/2002	Barnes		

6,781,127	B1	8/2004	Wolff et al.		
6,826,358	B2	11/2004	Partynski et al.		
D547,780	S *	7/2007	Meinzer	D16/132
7,283,307	B2	10/2007	Couture et al.		
7,333,270	B1	2/2008	Pochapsky et al.		
7,345,277	B2	3/2008	Zhang		
7,352,790	B2	4/2008	Tabirian et al.		
7,483,213	B2	1/2009	Pochapsky		
7,784,192	B2	8/2010	Jancic et al.		
7,864,432	B2	1/2011	Ottney		
7,872,794	B1	1/2011	Minelly et al.		
7,961,301	B2	6/2011	Earhart et al.		
D643,758	S *	8/2011	Foley	D10/69
2005/0268521	A1 *	12/2005	Cox et al.	42/130
2008/0297885	A1	12/2008	Pochapsky et al.		
2011/0121159	A1	5/2011	Mourar et al.		
2011/0200319	A1	8/2011	Kravitz et al.		
2012/0317862	A1 *	12/2012	Samson et al.	42/125

* cited by examiner

Primary Examiner — Michael A Pratt

(74) *Attorney, Agent, or Firm* — Dinsmore & Shohl LLP

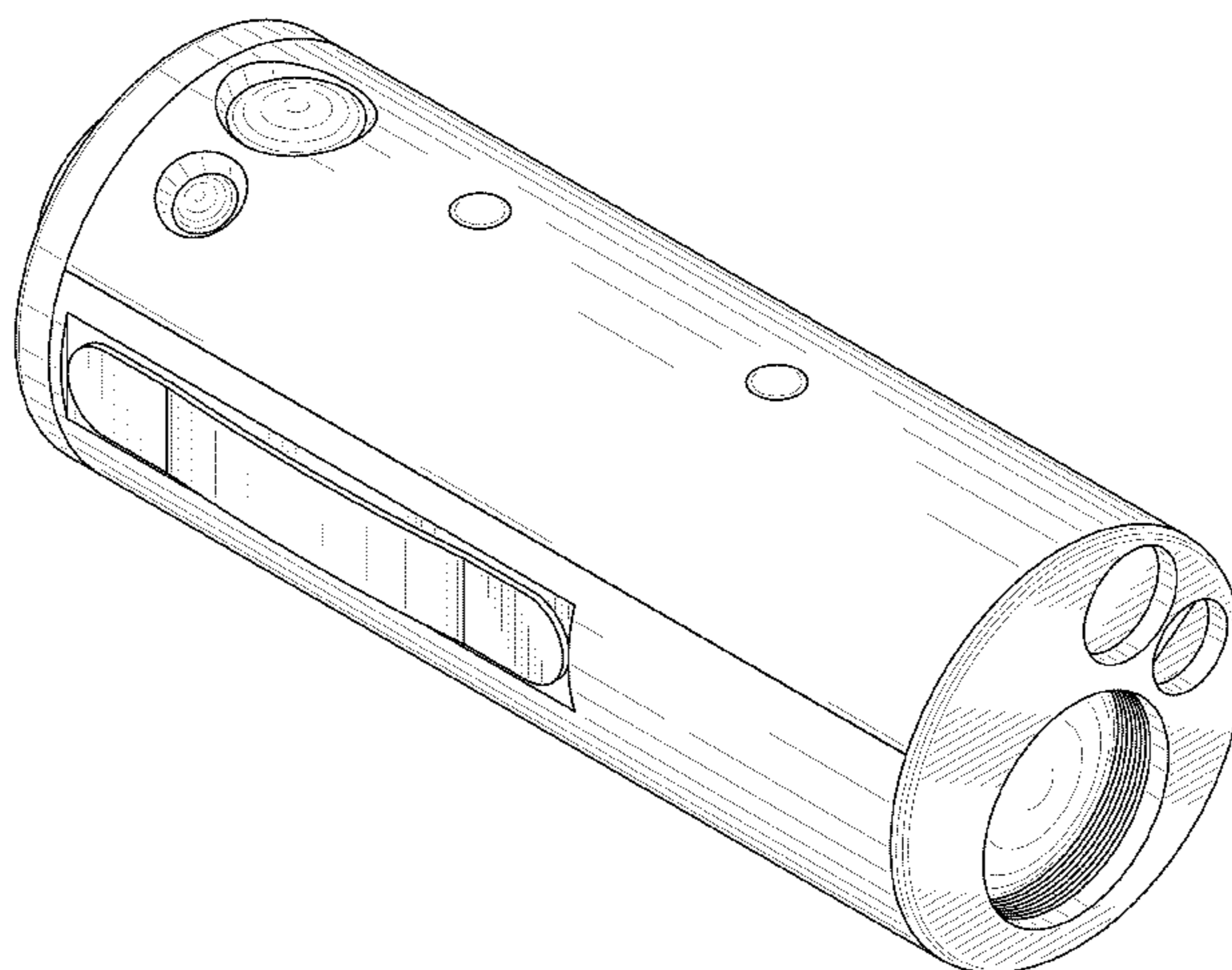
(57) **CLAIM**

The ornamental design for an integrated targeting system, as shown and described.

DESCRIPTION

FIG. 1 is a perspective view of an embodiment of an integrated targeting system illustrating our new design; FIG. 2 is a front side elevational view thereof; FIG. 3 is a back side elevational view thereof; FIG. 4 is a left side elevational view thereof; FIG. 5 is a right side elevational view thereof; FIG. 6 is a top planar elevational view thereof; and, FIG. 7 is a bottom planar view thereof. The broken lines in FIG. 6 are included for the purpose of illustrating a portion of the integrated targeting system that forms no part of the claimed design.

1 Claim, 6 Drawing Sheets



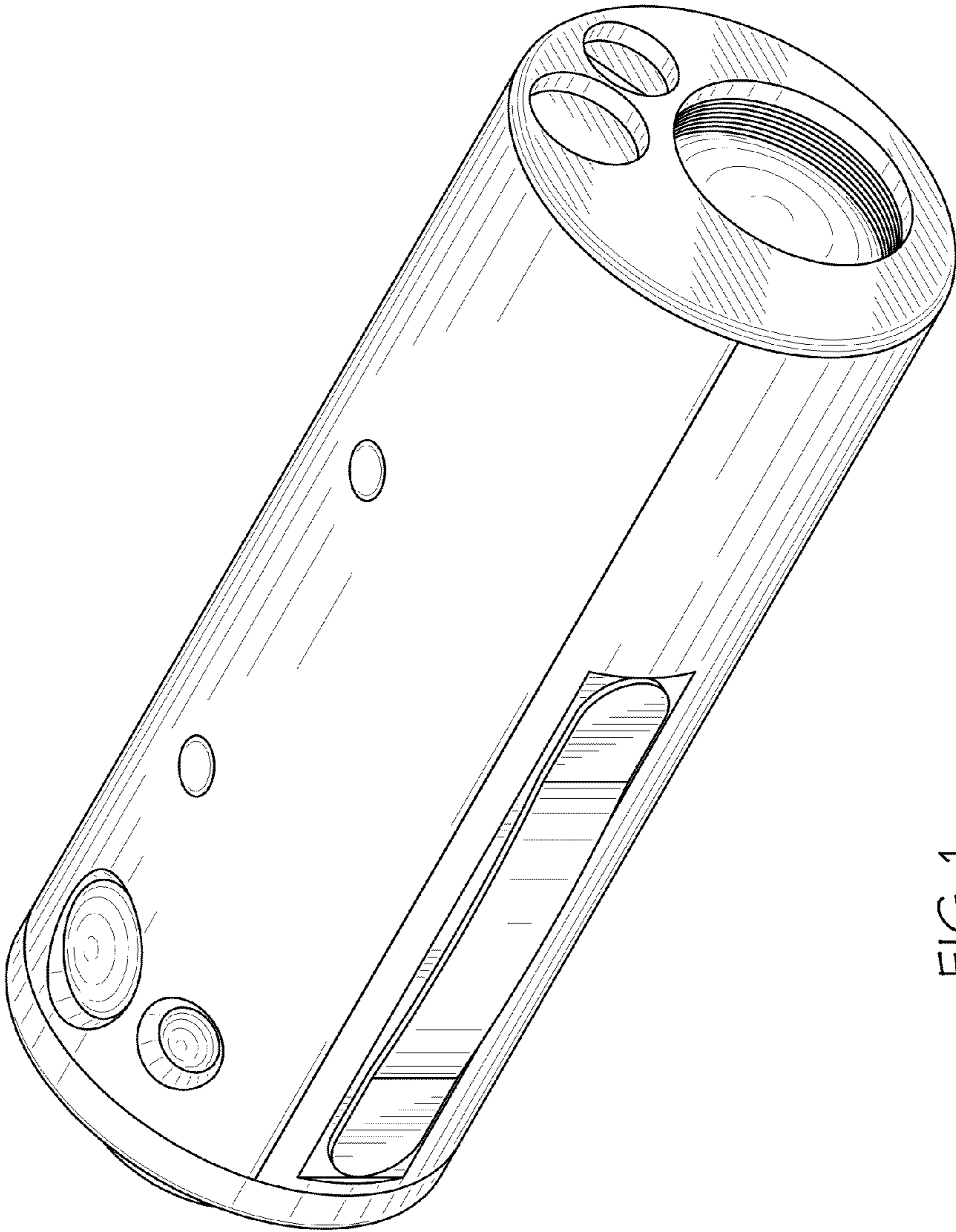


FIG. 1

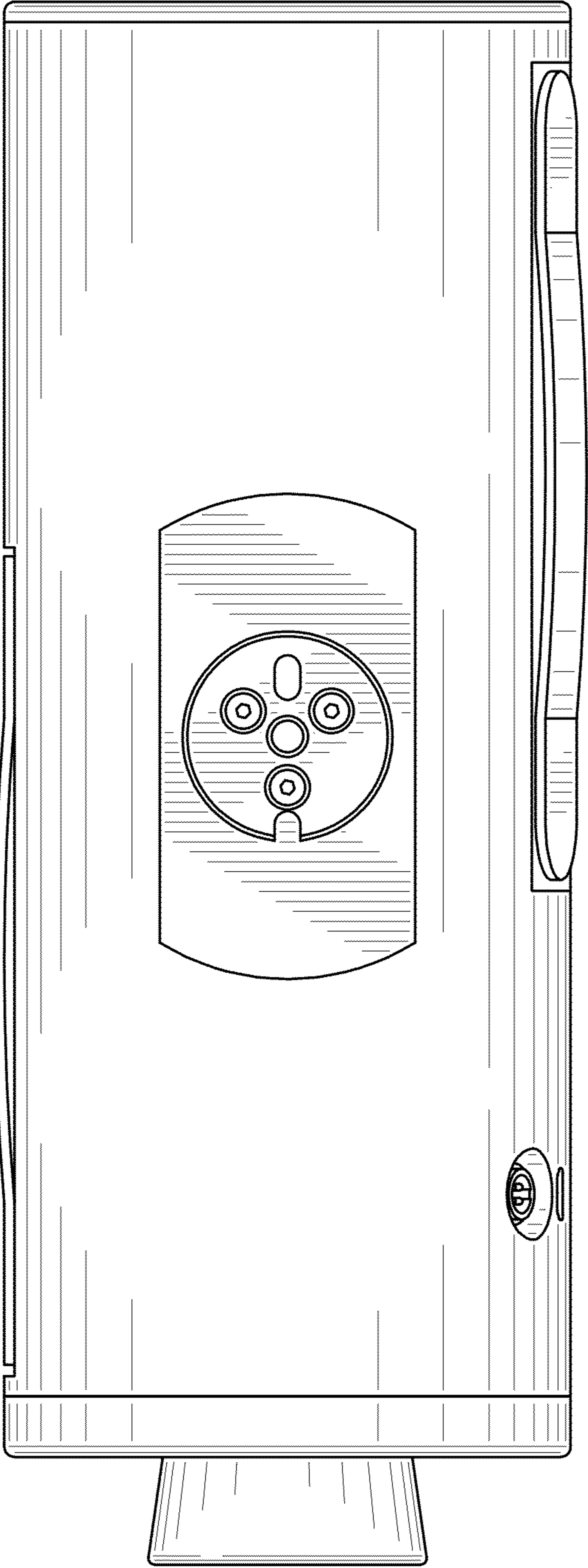


FIG. 2

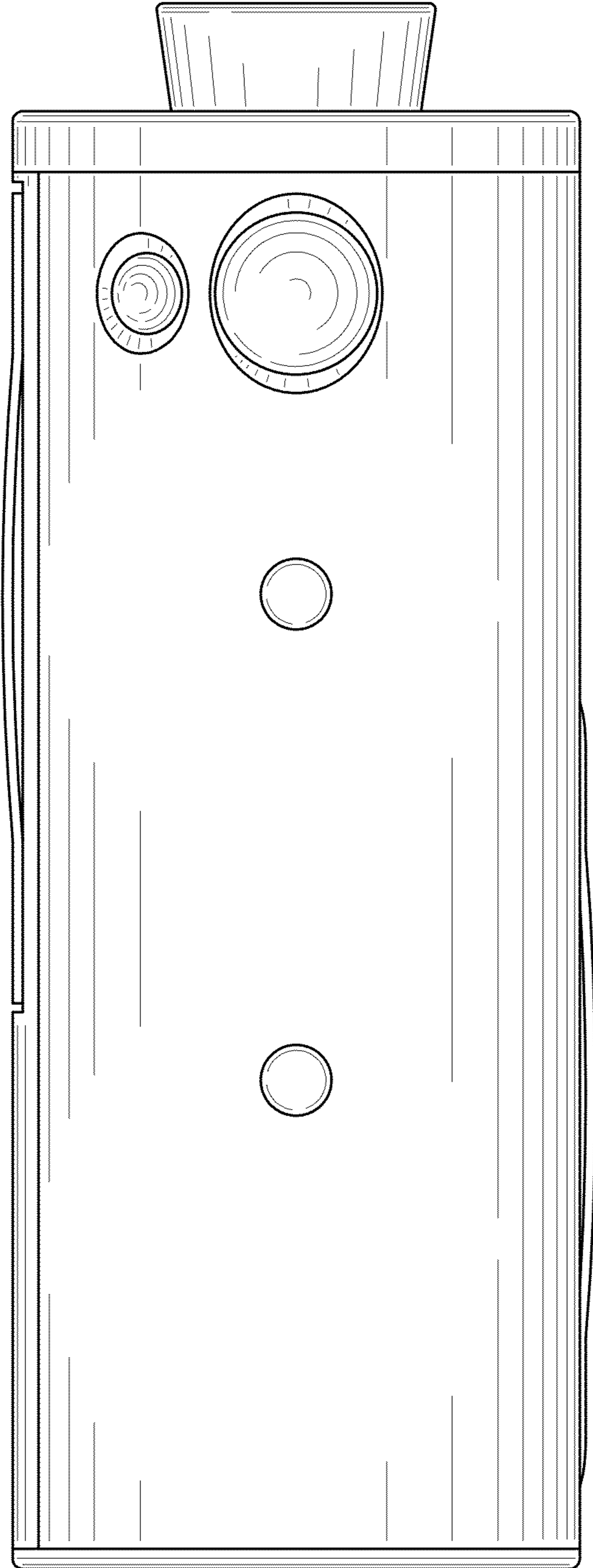


FIG. 3

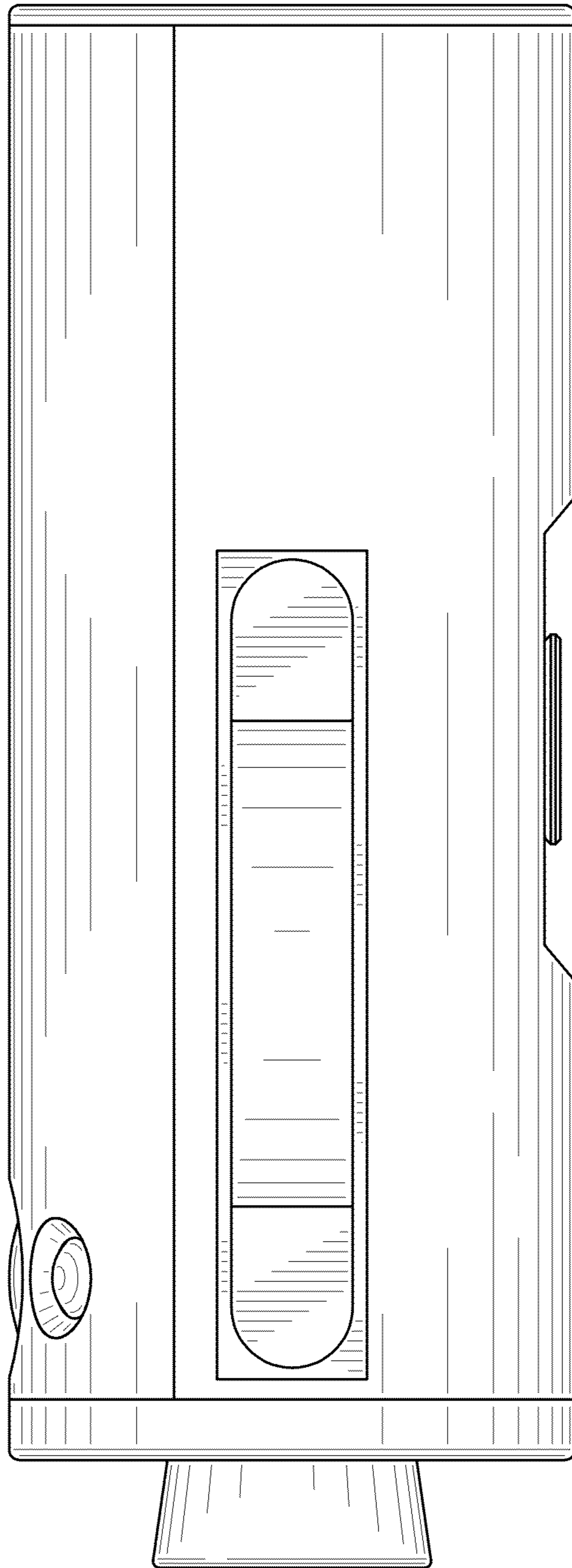


FIG. 4

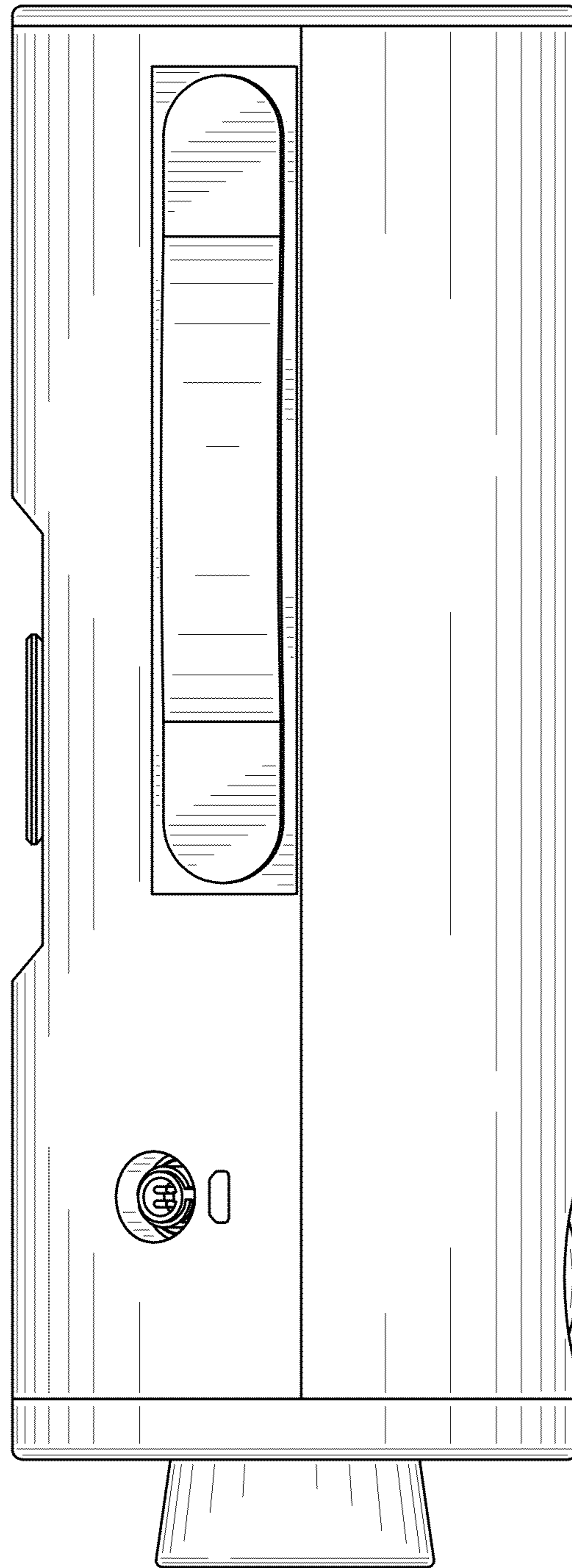


FIG. 5

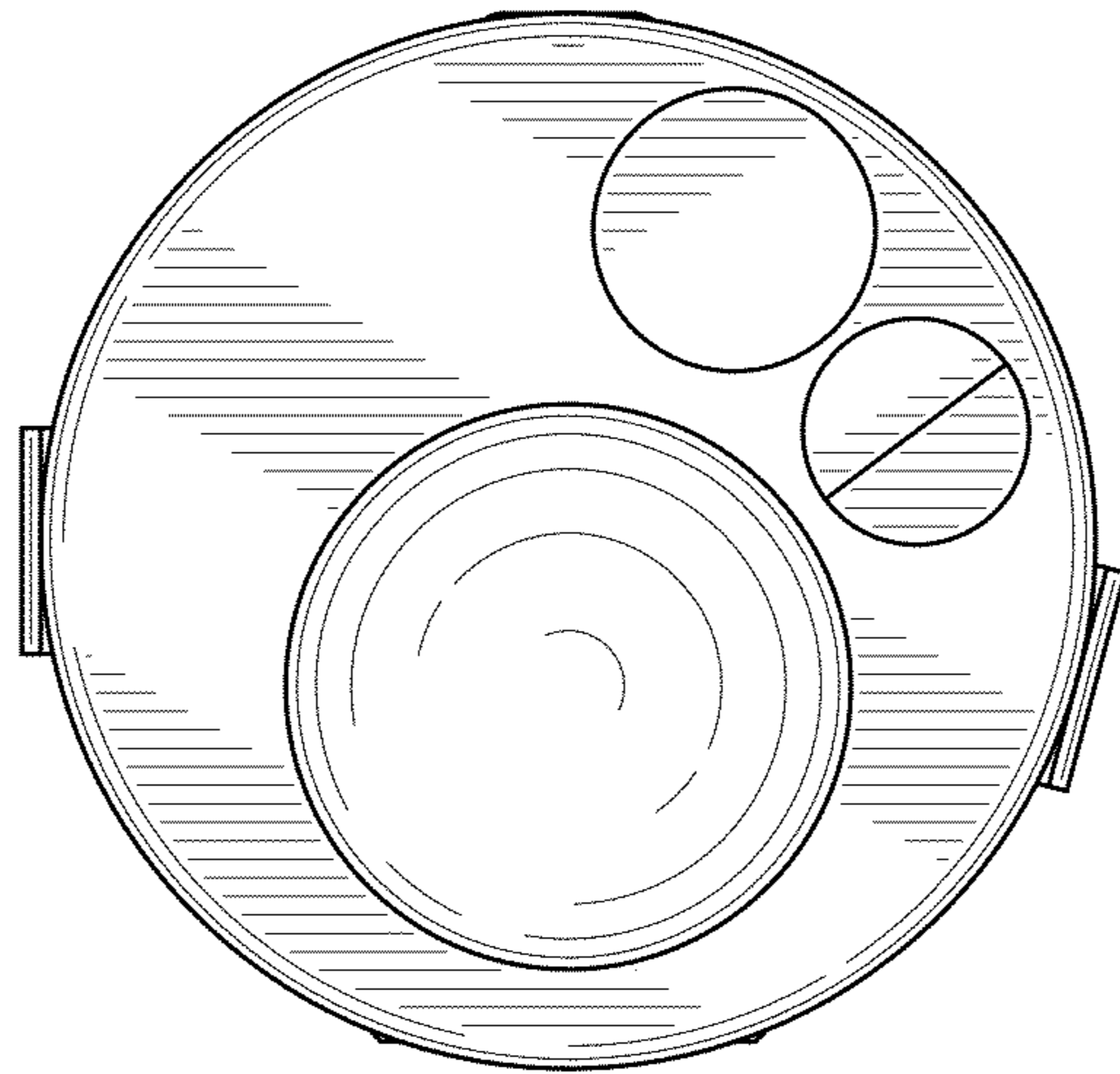


FIG. 7

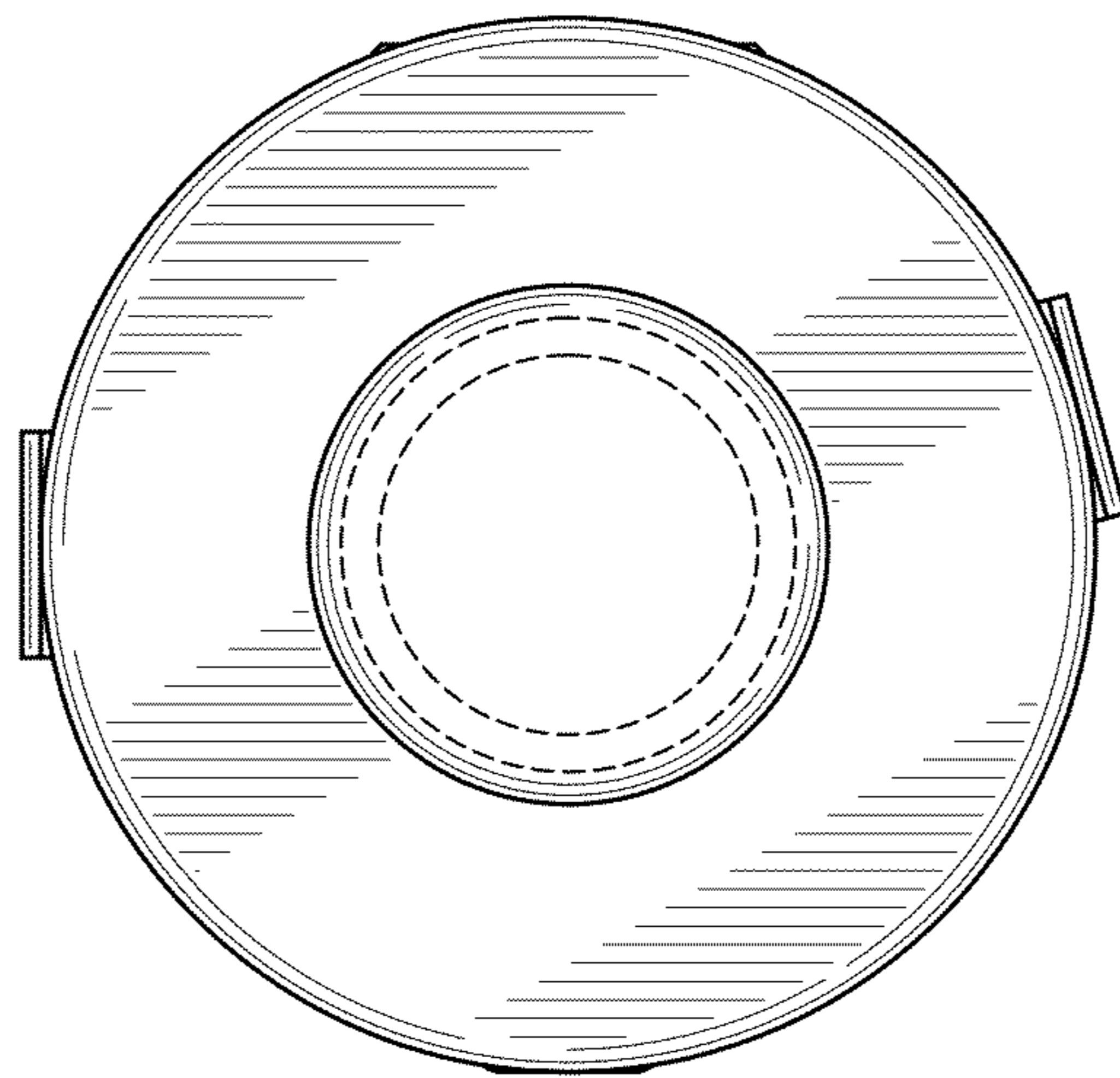


FIG. 6