



US00D701930S

(12) **United States Design Patent**
McKenney et al.

(10) **Patent No.:** **US D701,930 S**
(45) **Date of Patent:** **** Apr. 1, 2014**

(54) **MODULAR MARTIAL ARTS TRAINING TOOL**

(76) Inventors: **Ray McKenney**, Cynthiana, KY (US);
Gordon Burkett, Cynthiana, KY (US)

(**) Term: **14 Years**

(21) Appl. No.: **29/428,570**

(22) Filed: **Aug. 1, 2012**

(51) **LOC (10) Cl.** **21-02**

(52) **U.S. Cl.**
USPC **D21/798**; D22/118

(58) **Field of Classification Search**
USPC D21/798; D22/117, 118; 43/6;
463/47.2, 47.5, 47.4

See application file for complete search history.

(56) **References Cited**

U.S. PATENT DOCUMENTS

2,196,610 A * 4/1940 Schlademan et al. 482/20
4,024,665 A * 5/1977 Payne 43/6

(Continued)

Primary Examiner — Phillip S Hyder

(74) *Attorney, Agent, or Firm* — Michael Coblenz

(57) **CLAIM**

The ornamental design for a modular martial arts training tool, as shown and described.

DESCRIPTION

FIG. 1 is a perspective view showing the modular martial arts training tool in an assembled configuration;
FIG. 2 is an exploded perspective view thereof, showing the invention in a disassembled configuration comprising from left to right, a Kwando sword head, two short pole segments, a long pole segment, and a spear head;
FIG. 3 is a front elevation view of the modular martial arts training tool, with the back a mirror image of the front;

FIG. 4 is a top elevation view thereof, with the bottom a mirror image of the top;

FIG. 5 is an exploded front elevation, showing the invention in a disassembled configuration comprising from left to right, the Kwando sword head, the two short pole segments, the long pole segment, and the spear head;

FIG. 6 is an enlarged right side elevation of the Kwando sword head, taken along the lines 6-6 of FIG. 5;

FIG. 7 is an enlarged left side elevation of the first short pole taken along the lines 7-7 of FIG. 5, and showing the female threaded end;

FIG. 8 is an enlarged right side elevation of the first short pole taken along the lines 8-8 of FIG. 5, and showing the female threaded end;

FIG. 9 is an enlarged left side elevation of the second short pole taken along the lines 9-9 of FIG. 5, and showing the male threaded end;

FIG. 10 is an enlarged right side elevation of the second short pole taken along the lines 10-10 of FIG. 5, and showing the female threaded end;

FIG. 11 is an enlarged left side elevation of the long pole taken along the lines 11-11 of FIG. 5, and showing the male threaded end;

FIG. 12 is an enlarged right side elevation of the long pole taken along the lines 12-12 of FIG. 5, and showing the female threaded end;

FIG. 13 is an enlarged left side elevation of the spear head, taken along the lines 13-13 of FIG. 5;

FIG. 14 is an enlarged front elevation of the first short pole, with the back, top and bottom a mirror image thereof;

FIG. 15 is an enlarged front elevation of the second short pole, with the back, top and bottom a mirror image thereof;

FIG. 16 is an enlarged front elevation of the long pole, with the back, top and bottom a mirror image thereof;

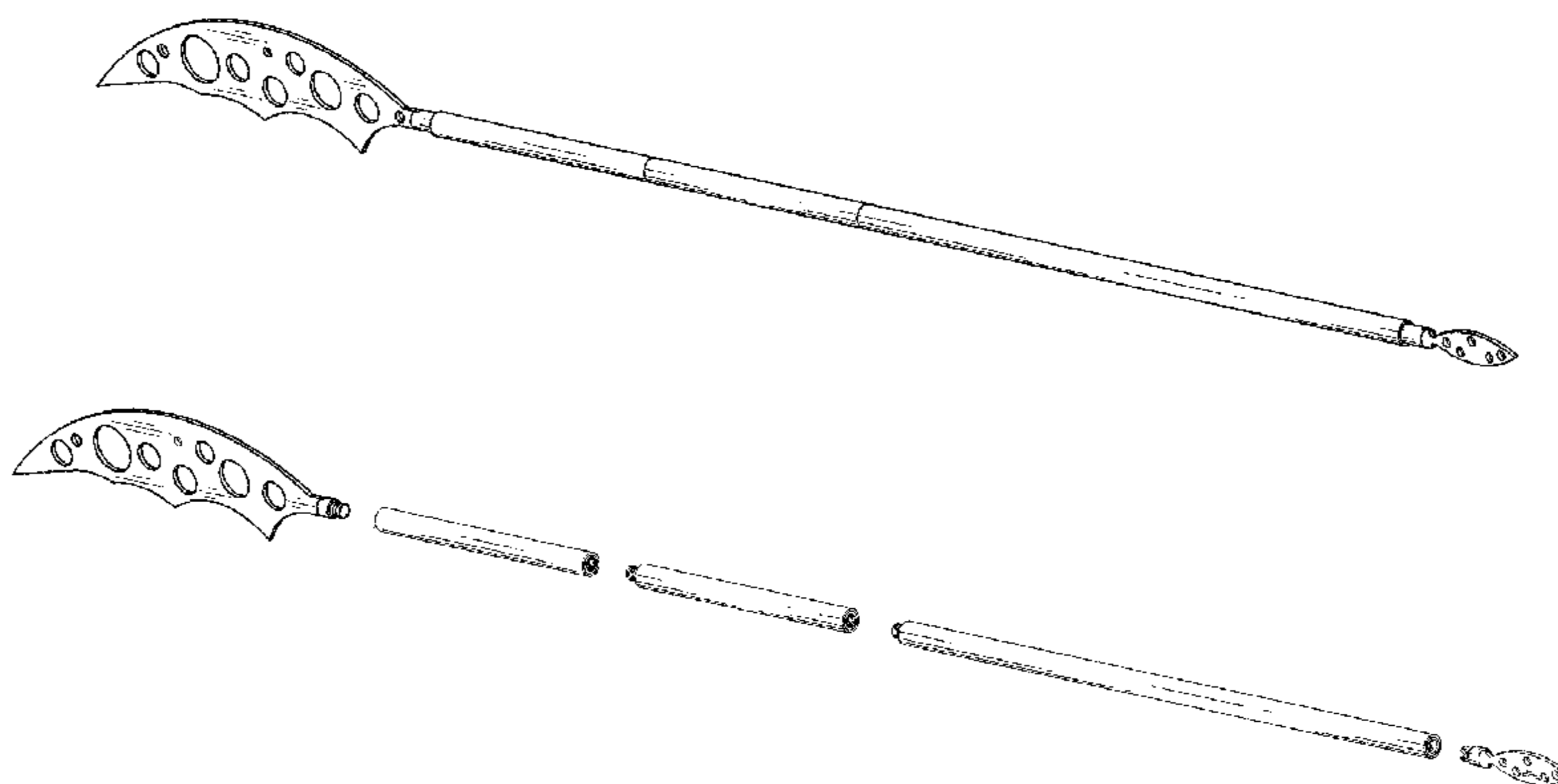
FIG. 17 is an enlarged left side elevation view of the Kwando sword head;

FIG. 18 is an enlarged front elevation view of the Kwando sword head, with the back a mirror image thereof;

FIG. 19 is an enlarged right side elevation view of the spear head; and,

FIG. 20 is an enlarged front elevation view of the spear head, with the back view a mirror image thereof.

1 Claim, 5 Drawing Sheets



(56)

References Cited

U.S. PATENT DOCUMENTS

4,655,456 A 4/1987 Chen Dai
4,682,774 A 7/1987 Holy
5,163,242 A * 11/1992 Smith 43/6
D341,182 S * 11/1993 Dube D22/118

D373,611 S * 9/1996 Thompson D22/118
D390,304 S * 2/1998 Thompson D22/118
6,196,921 B1 3/2001 Larson
7,625,289 B1 12/2009 Fagliarone
D639,885 S * 6/2011 Jimenez D21/798
2002/0120987 A1 9/2002 Wozniak
2005/0113218 A1 5/2005 Sewitch, Jr. et al.

* cited by examiner

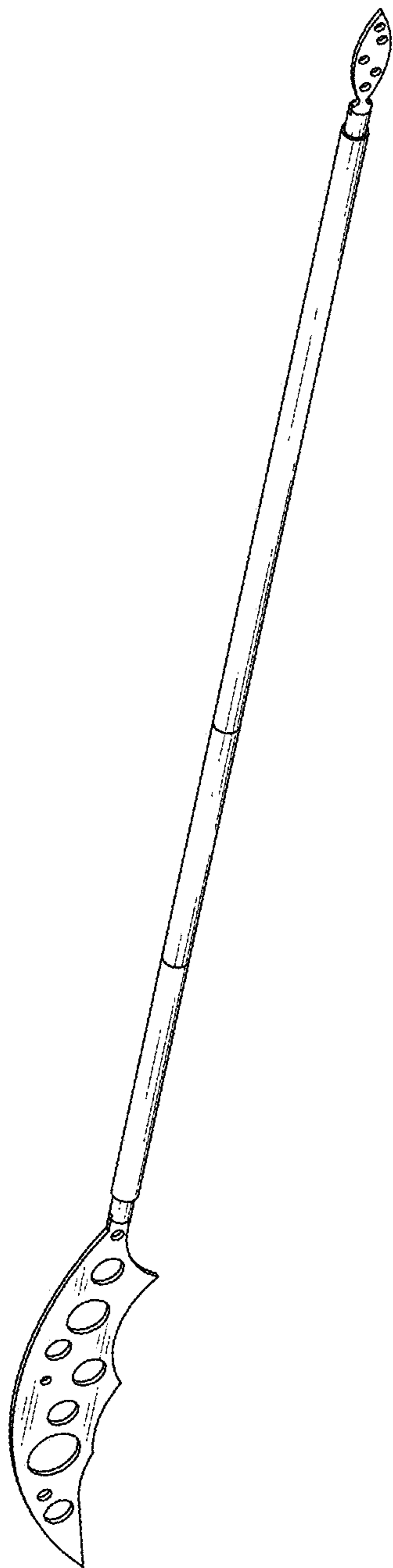


FIG. 1

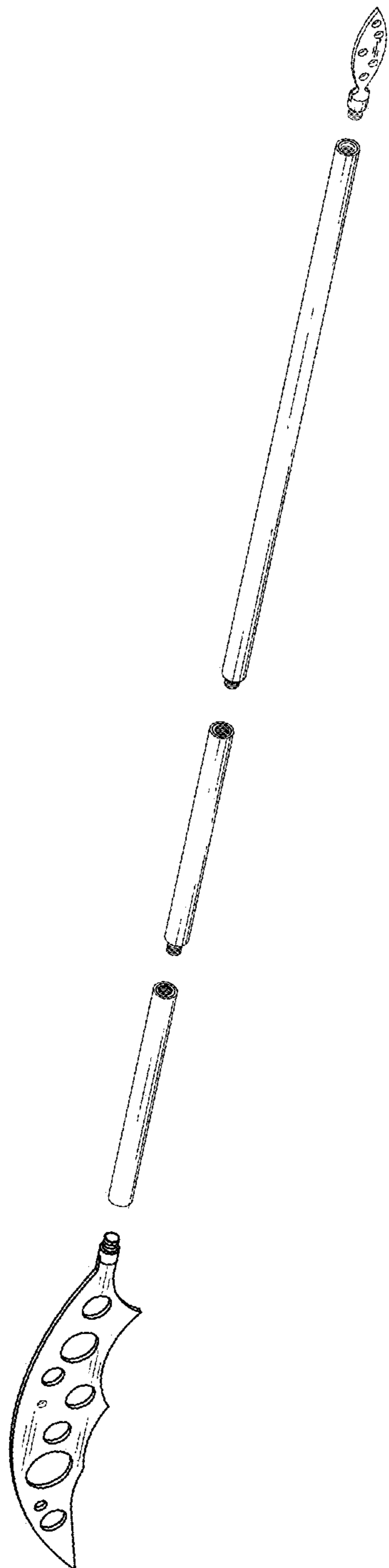


FIG. 2

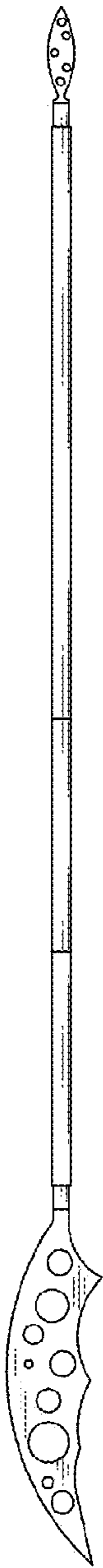


FIG. 3



FIG. 4

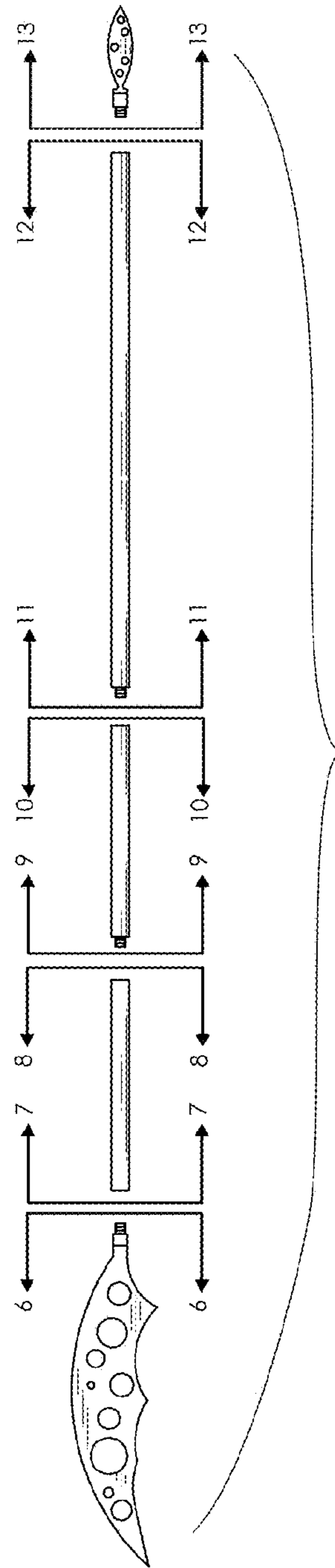


FIG. 5



FIG. 6



FIG. 7



FIG. 8



FIG. 9



FIG. 10



FIG. 11



FIG. 12

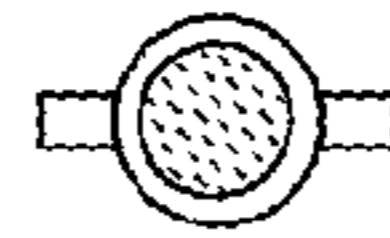


FIG. 13

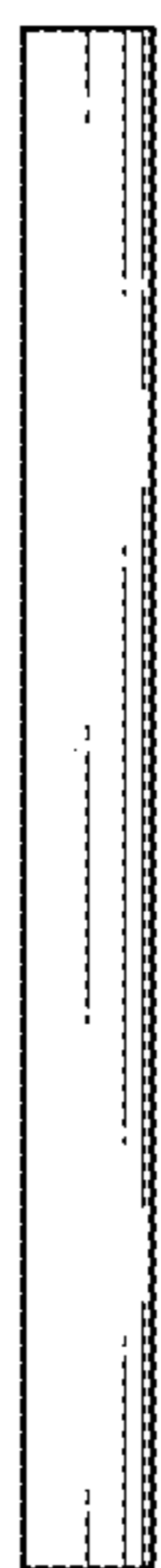


FIG. 14

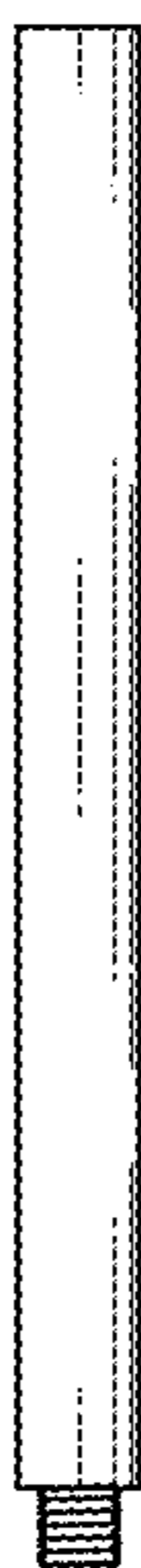


FIG. 15

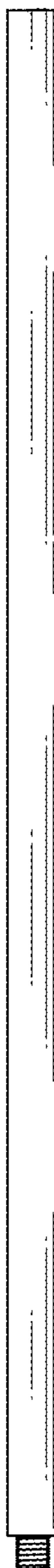


FIG. 16

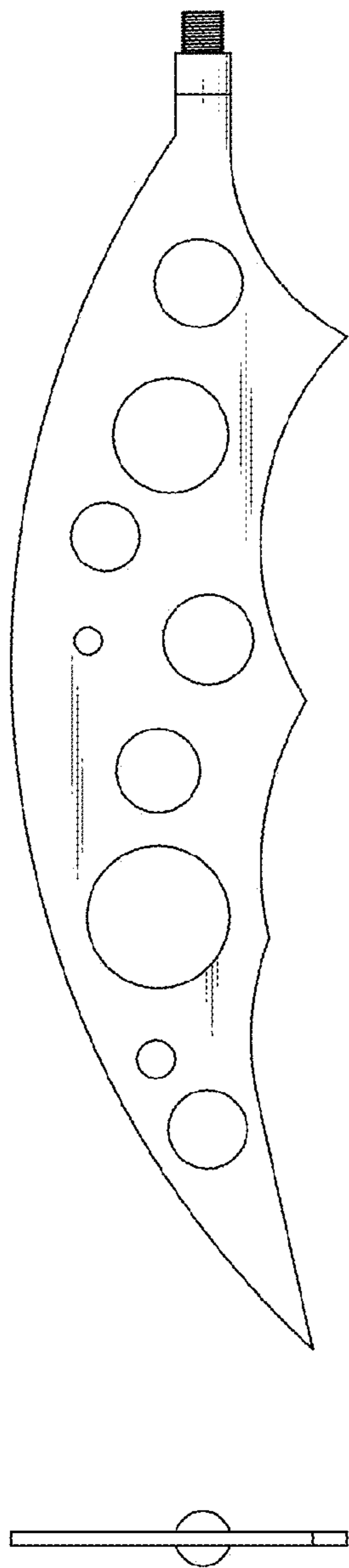


FIG. 17

FIG. 18



FIG. 19

FIG. 20