



US00D701929S

(12) **United States Design Patent**
Ansah

(10) **Patent No.:** **US D701,929 S**
(45) **Date of Patent:** **** Apr. 1, 2014**

(54) **SKATEBOARD APPARATUS**

(71) Applicant: **Theophilus Kweku Ansah**, Bronx, NY
(US)

(72) Inventor: **Theophilus Kweku Ansah**, Bronx, NY
(US)

(**) Term: **14 Years**

(21) Appl. No.: **29/441,493**

(22) Filed: **Jan. 7, 2013**

Related U.S. Application Data

(63) Continuation-in-part of application No. 29/378,248,
filed on Nov. 2, 2010, now abandoned.

(51) **LOC (10) Cl.** **21-02**

(52) **U.S. Cl.**
USPC **D21/765**

(58) **Field of Classification Search**
USPC D21/419, 421, 423, 426, 760, 765, 766,
D21/769, 771, 776, 803; D12/1; 280/7.14,
280/11.115, 11.19, 11.27, 11.28, 14.21,
280/87.01, 87.021, 87.03, 87.041, 87.042,
280/607, 608, 609, 809; 180/180, 181;
434/247, 253, 258

See application file for complete search history.

(56) **References Cited**

U.S. PATENT DOCUMENTS

D261,543 S * 10/1981 Morris, Sr. D21/765
5,067,058 A 11/1991 Standley

D355,946 S * 2/1995 Park D21/765
D412,351 S * 7/1999 Gambs D21/765
6,536,639 B1 3/2003 Frank
6,536,788 B1 3/2003 Kunz et al.
7,445,218 B2 11/2008 Esposito et al.
7,581,739 B2 9/2009 Fraley
D603,474 S * 11/2009 Hillman D21/765

FOREIGN PATENT DOCUMENTS

GB W02009071879 A9 6/2009

* cited by examiner

Primary Examiner — Cynthia M Chin

(74) *Attorney, Agent, or Firm* — Ash Tankha; Lipton,
Weinberger & Husick

(57) **CLAIM**

The ornamental design for a skateboard apparatus, as shown
and described.

DESCRIPTION

FIG. 1 is a perspective view of a new design for a skateboard
apparatus;

FIG. 2 is a top plan view thereof;

FIG. 3 is a partial cross sectional view thereof, taken from line
3-3 in FIG. 2, showing a textured transparent layer covering a
gel pad layer on the top surface of the skateboard apparatus;

FIG. 4 is a bottom plan view thereof;

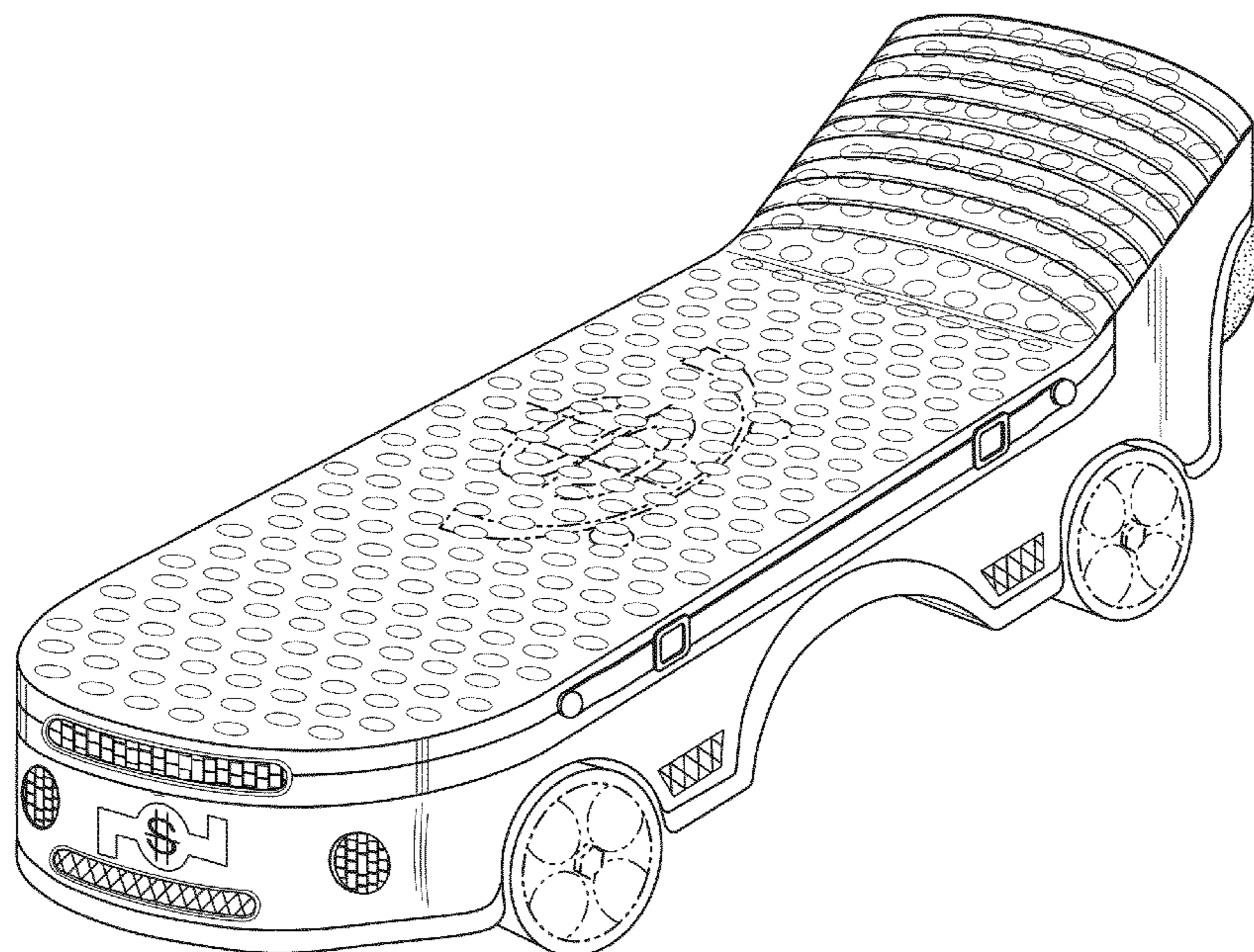
FIG. 5 is a front elevation view thereof;

FIG. 6 is a rear elevation view thereof; and,

FIG. 7 is a right side view thereof.

The phantom lines in the drawings represent unclaimed sub-
ject matter.

1 Claim, 7 Drawing Sheets



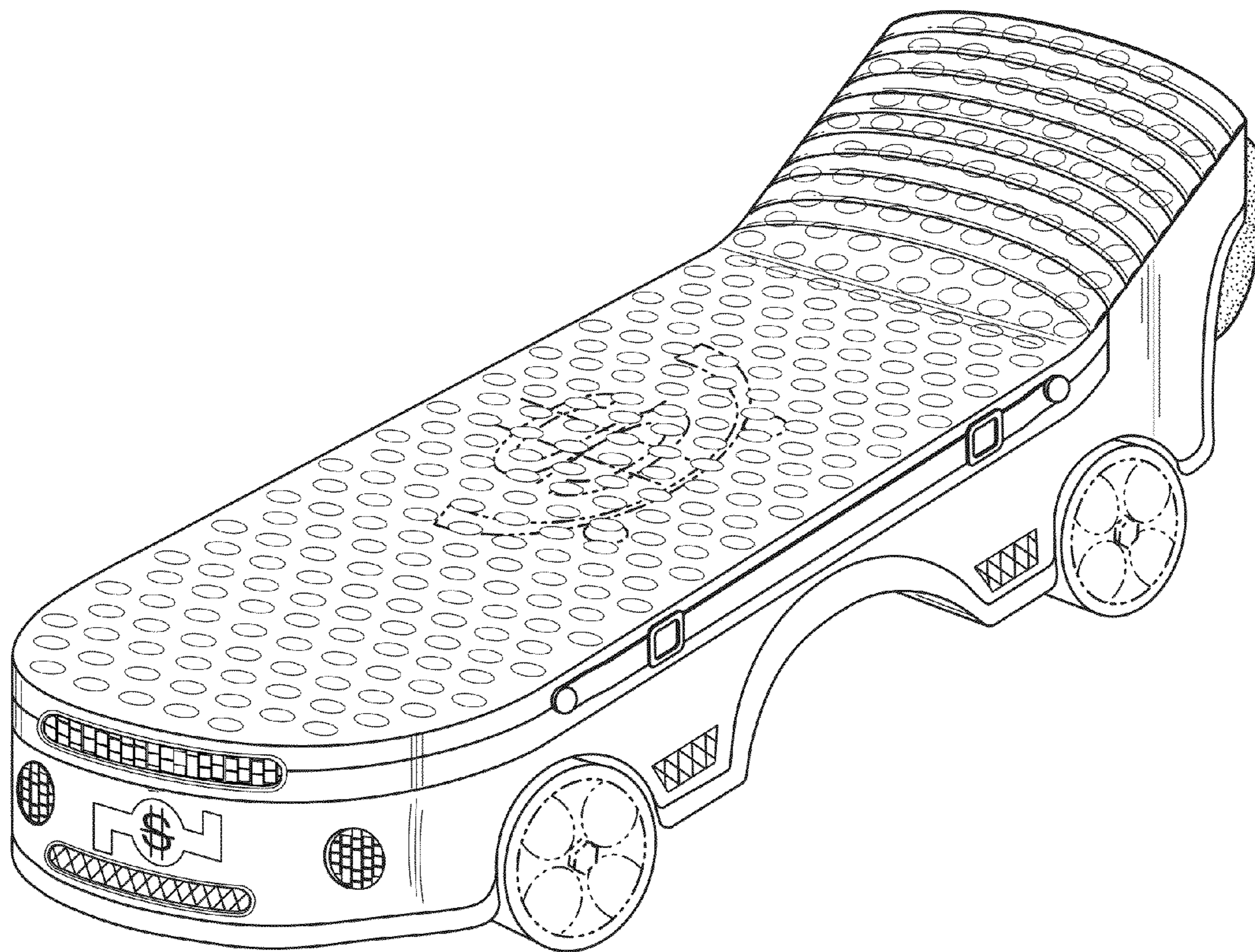


FIG. 1

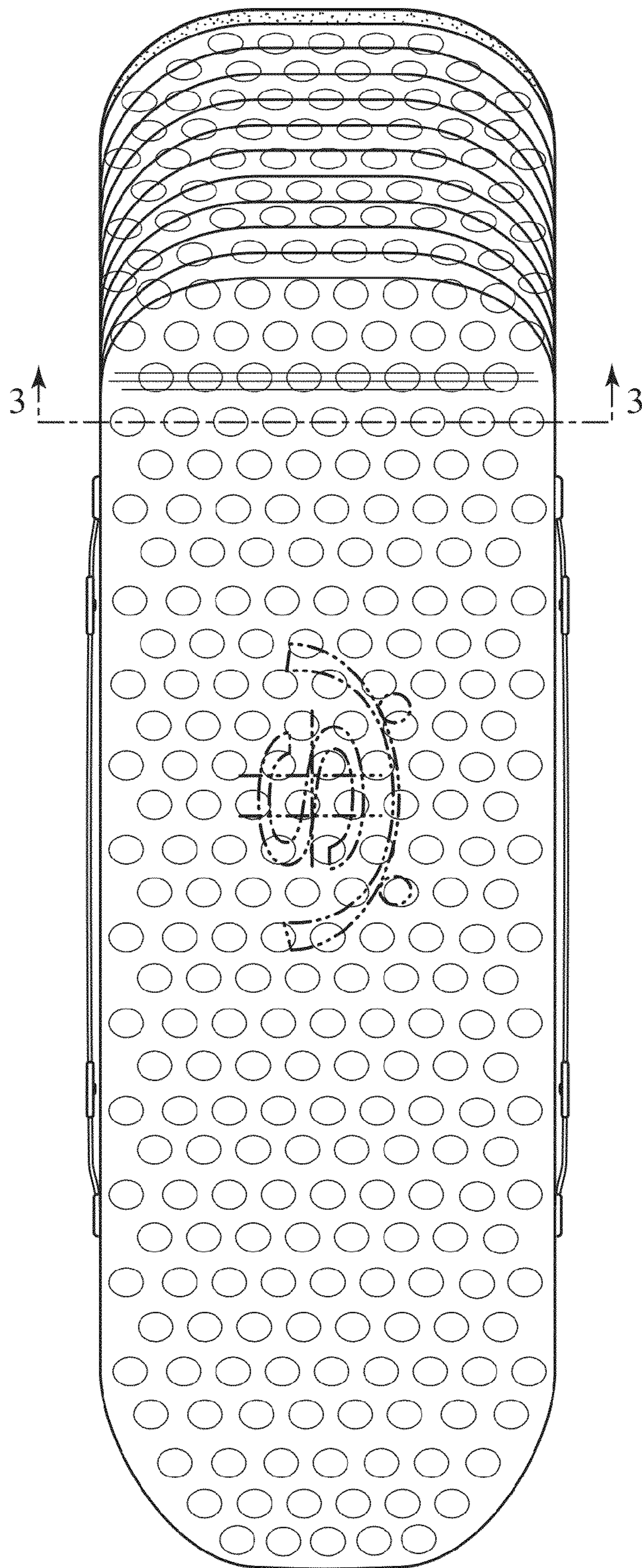


FIG. 2

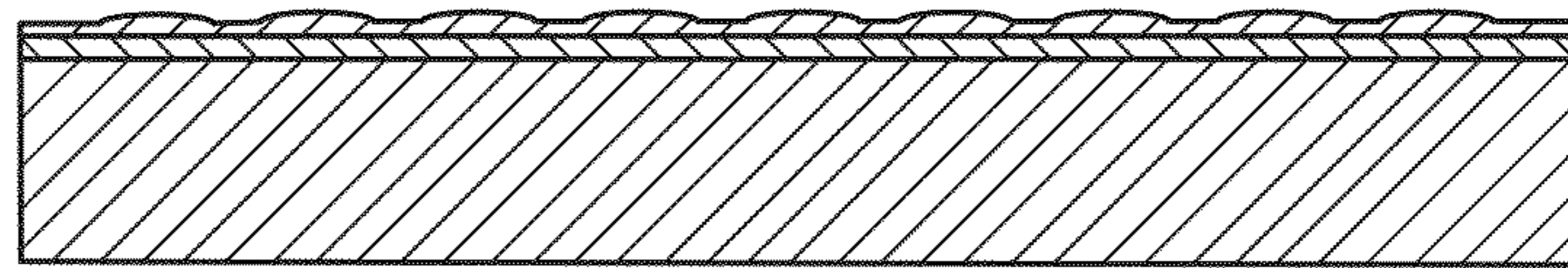


FIG. 3

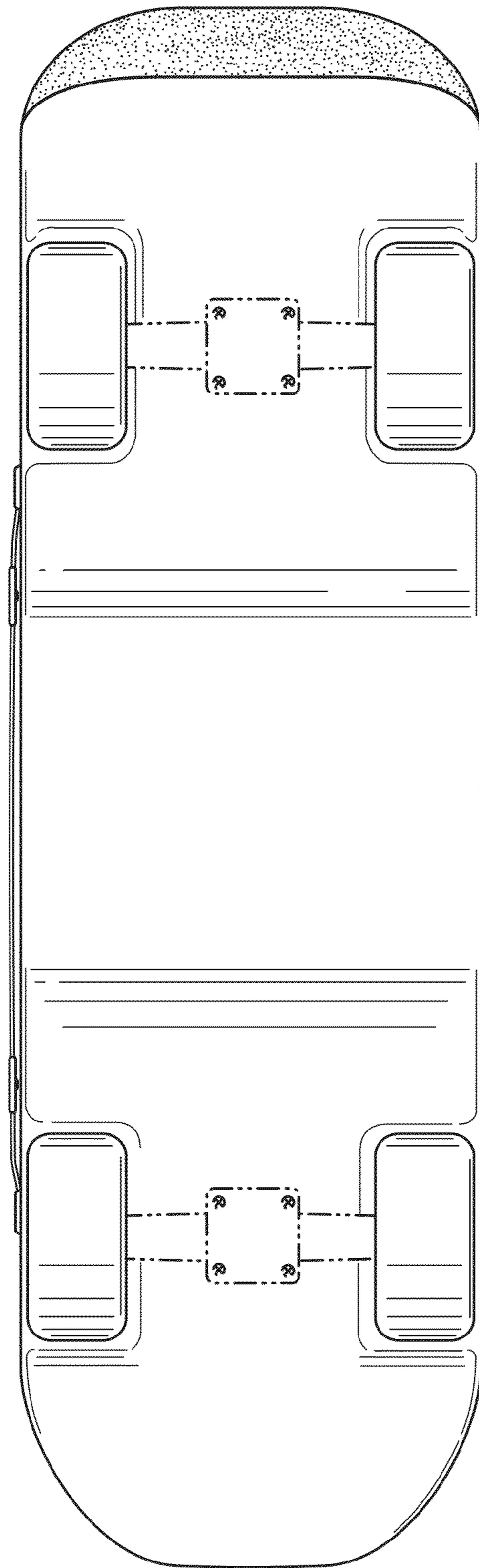


FIG. 4

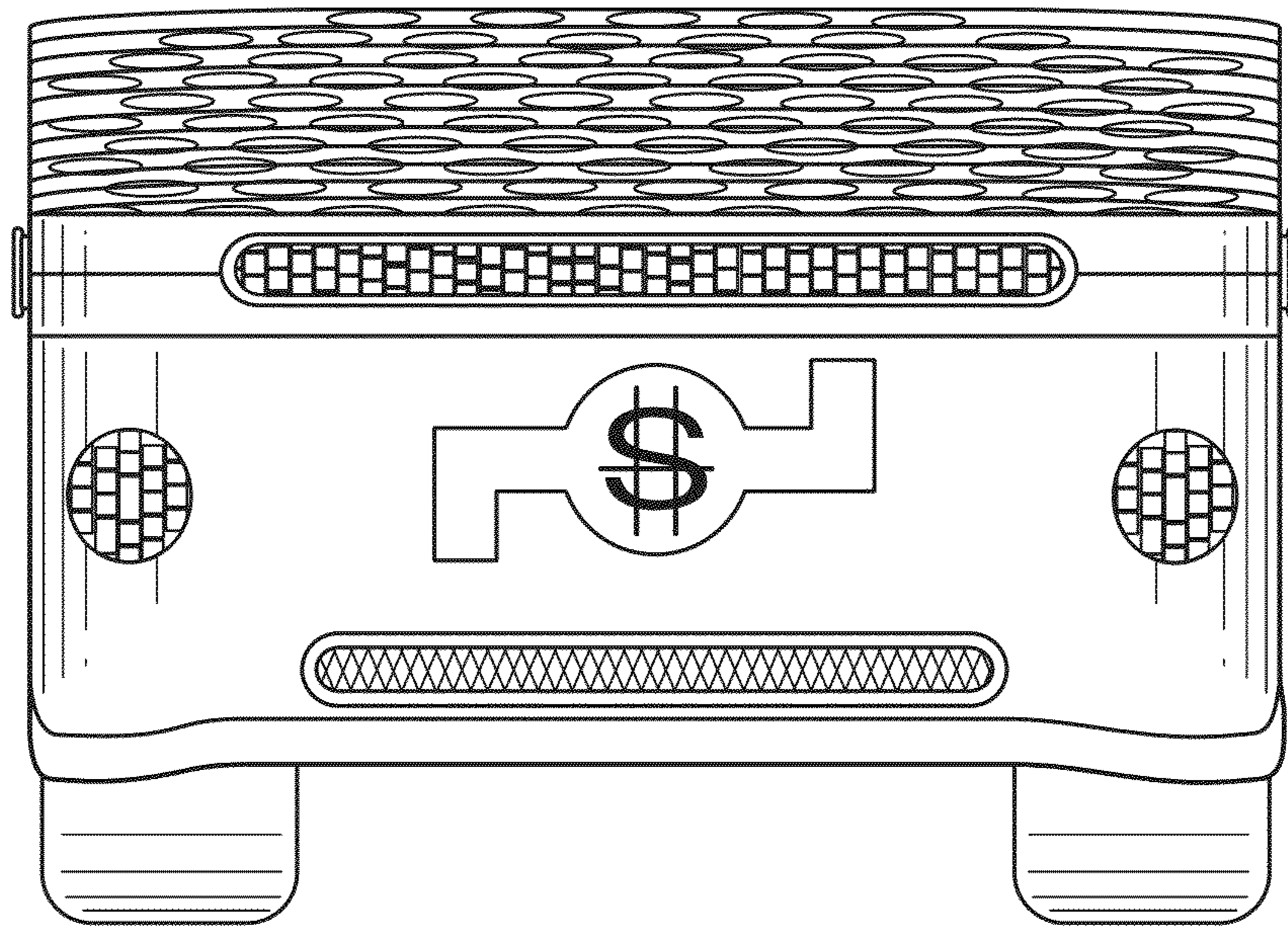


FIG. 5

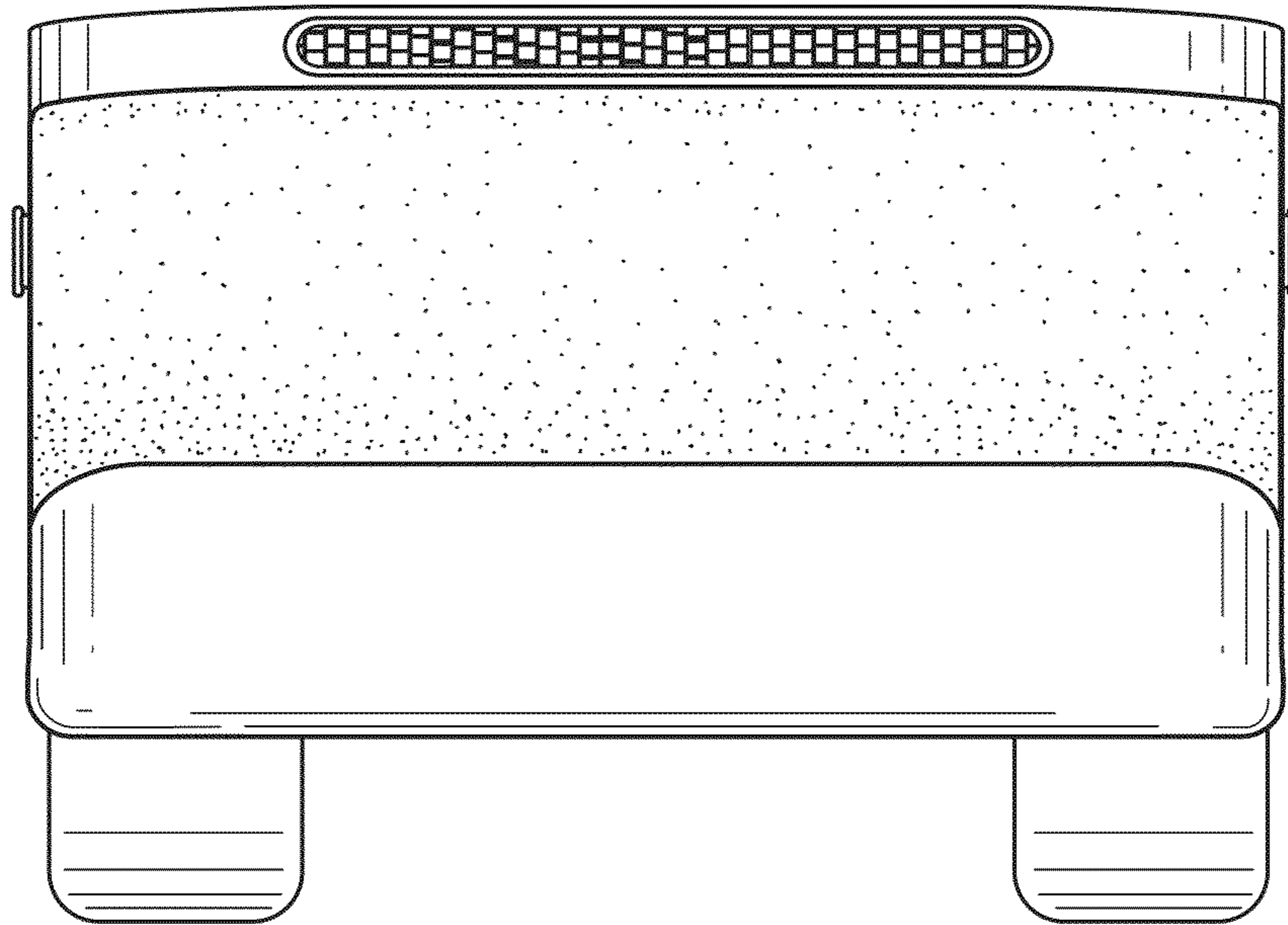


FIG. 6

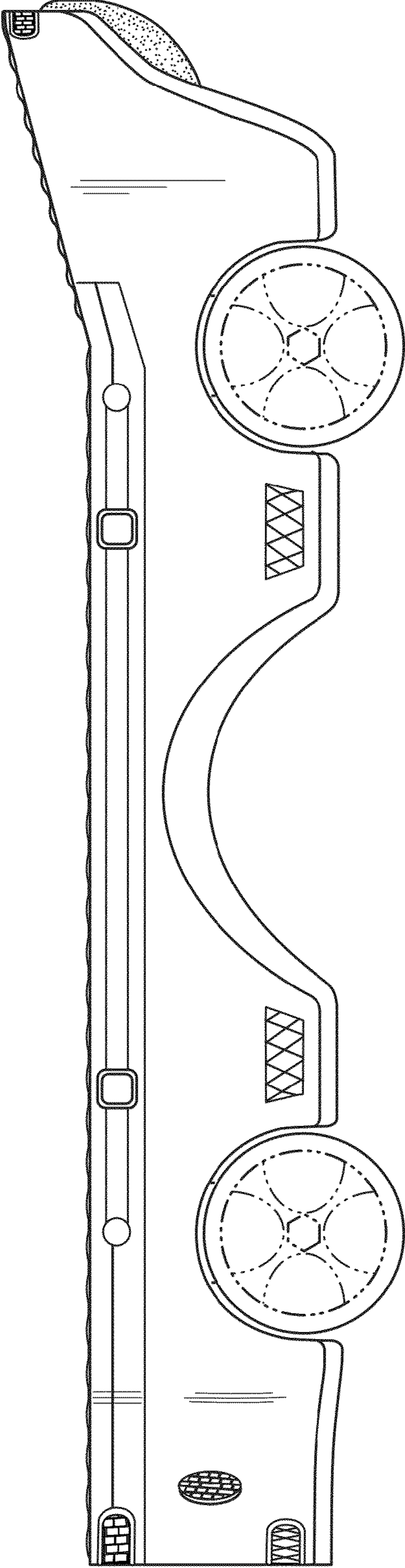


FIG. 7