

US00D701927S

(12) **United States Design Patent**  
**Van Der Erve**

(10) **Patent No.:** **US D701,927 S**

(45) **Date of Patent:** **\*\* Apr. 1, 2014**

(54) **TOY FIGURE**

(76) Inventor: **Martijn Van Der Erve**, Tervuren (BE)

(\*\*) Term: **14 Years**

(21) Appl. No.: **29/431,955**

(22) Filed: **Sep. 12, 2012**

(30) **Foreign Application Priority Data**

Jun. 8, 2012	(EM)	002054858-001
Jun. 8, 2012	(EM)	002054858-002
Jun. 8, 2012	(EM)	002054858-003
Jun. 8, 2012	(EM)	002054858-004
Jun. 8, 2012	(EM)	002054858-005
Jun. 8, 2012	(EM)	002054858-006
Jun. 8, 2012	(EM)	002054858-007
Jun. 8, 2012	(EM)	002054858-008

(51) **LOC (10) Cl.** ..... **09-01**

(52) **U.S. Cl.**  
USPC ..... **D21/653; D21/576**

(58) **Field of Classification Search**  
USPC ..... D11/158-159; D21/576-585, 587-588,  
D21/606-608, 653; D30/160; 446/72,  
446/97-98, 268-269, 278, 327, 368-369;  
D6/598

See application file for complete search history.

(56) **References Cited**

U.S. PATENT DOCUMENTS

D287,611 S *	1/1987	Sato	.....	D21/653
D287,866 S *	1/1987	Thomson et al.	.....	D21/585
D300,441 S *	3/1989	Ryland	.....	D21/653
D350,170 S *	8/1994	Bro et al.	.....	D21/653
D390,758 S *	2/1998	Henry et al.	.....	D21/653
D528,536 S *	9/2006	Topping	.....	D21/653
D532,456 S *	11/2006	Wu	.....	D21/576
D679,343 S *	4/2013	Yeh	.....	D21/576

\* cited by examiner

*Primary Examiner* — Sandra Morris

(74) *Attorney, Agent, or Firm* — Ostrolenk Faber LLP

(57) **CLAIM**

The ornamental design for toy figure, as shown and described.

**DESCRIPTION**

FIG. 1 is a front elevation view of the front toy figure of the invention;

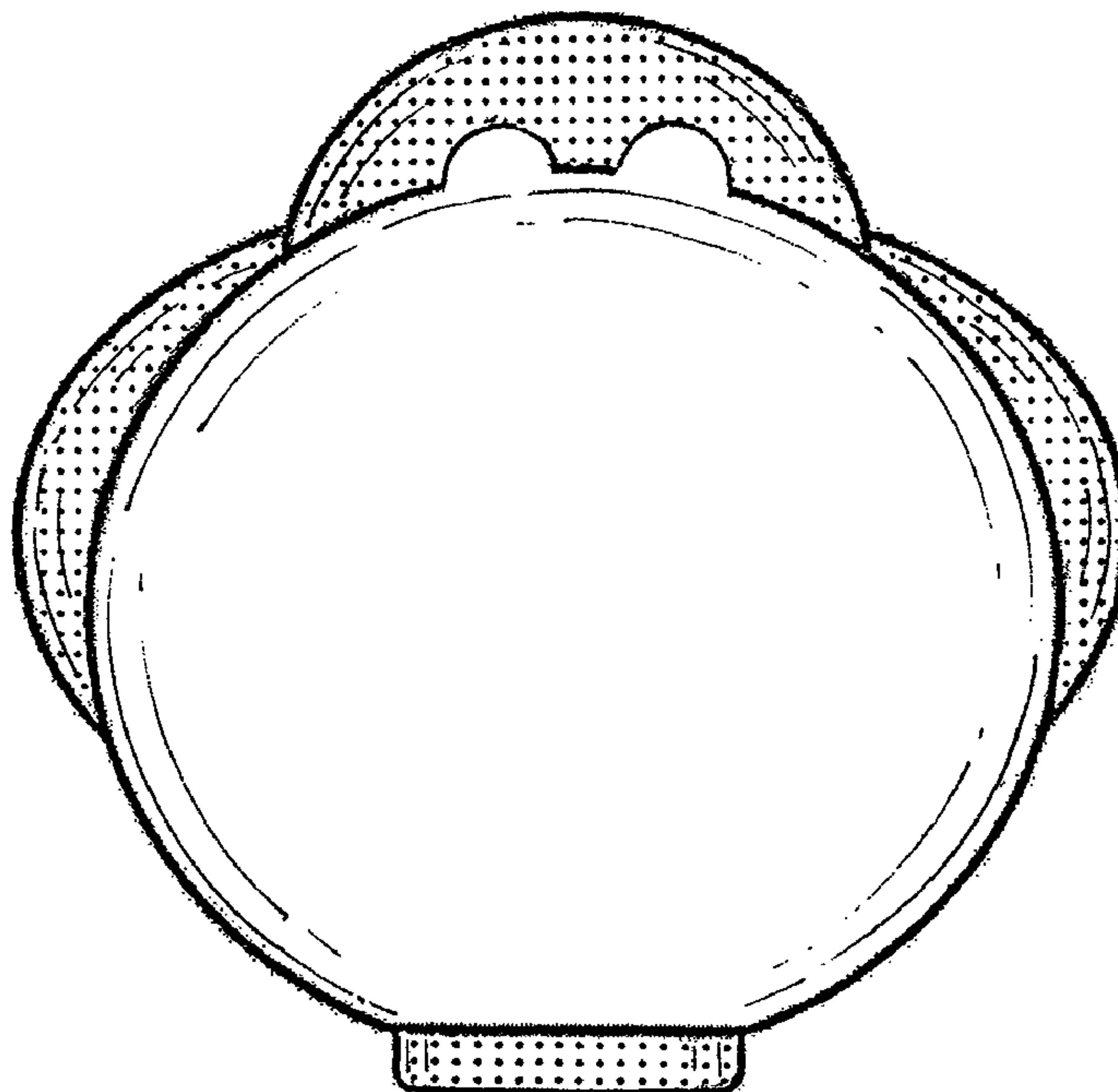
FIG. 2 is an elevational view of the right side of the toy figure, the left side being a mirror image;

FIG. 3 is an elevational view of the back of the toy figure;

FIG. 4 is a top view of FIGS. 1, 2 and 3; and,

FIG. 5 is a bottom view of FIGS. 1, 2 and 3.

**1 Claim, 2 Drawing Sheets**



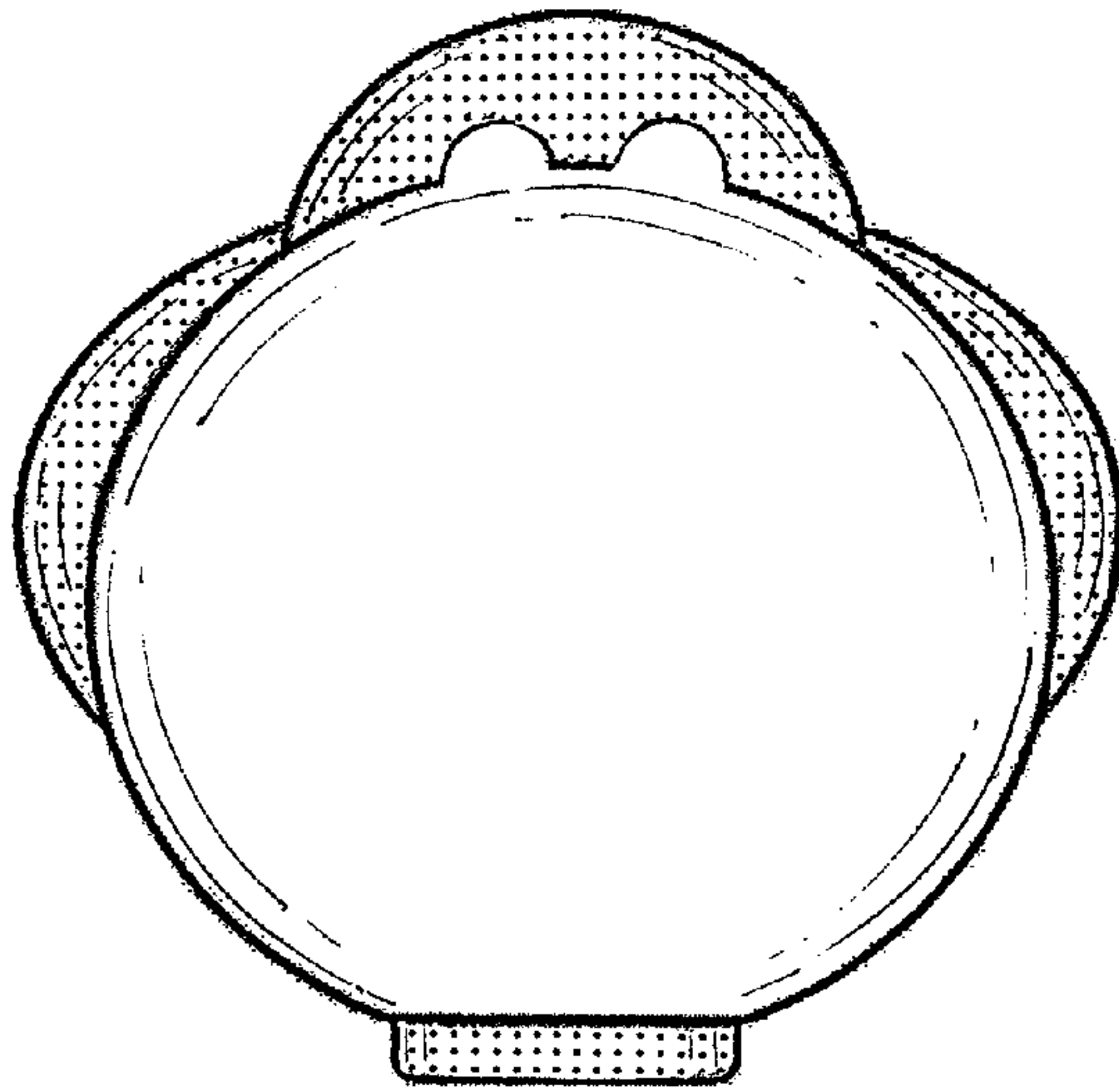


FIG. 1

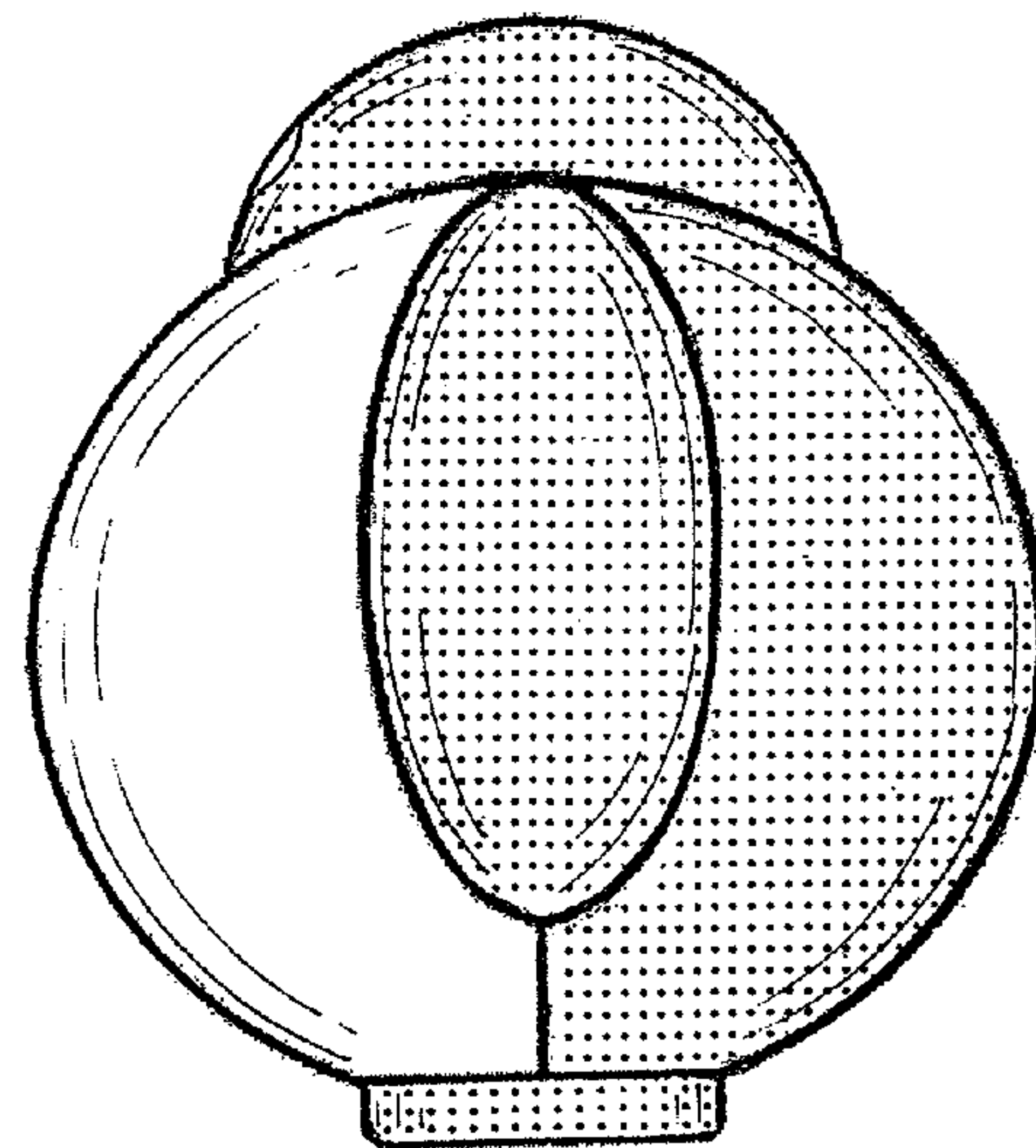


FIG. 2

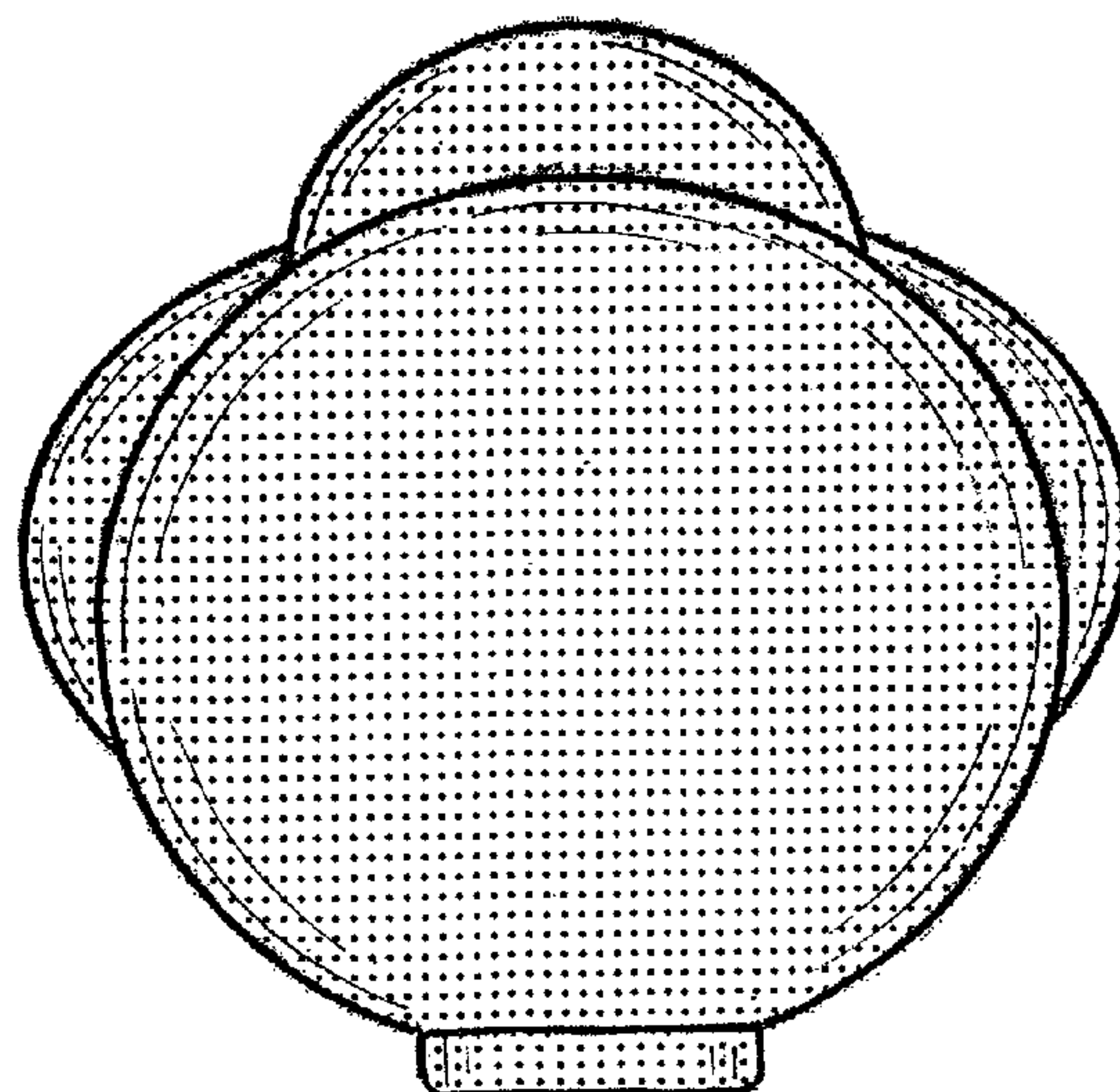


FIG. 3

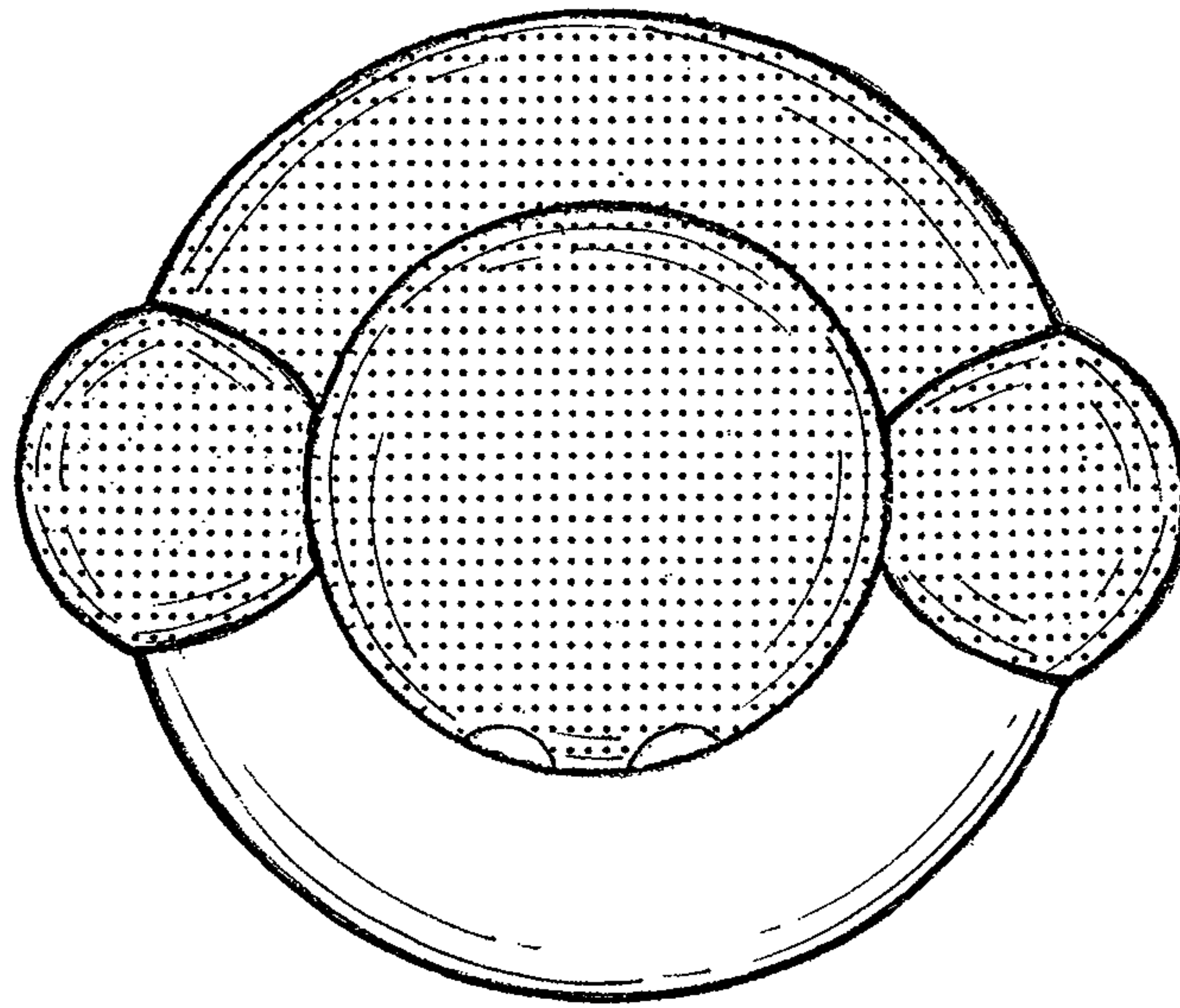


FIG. 4

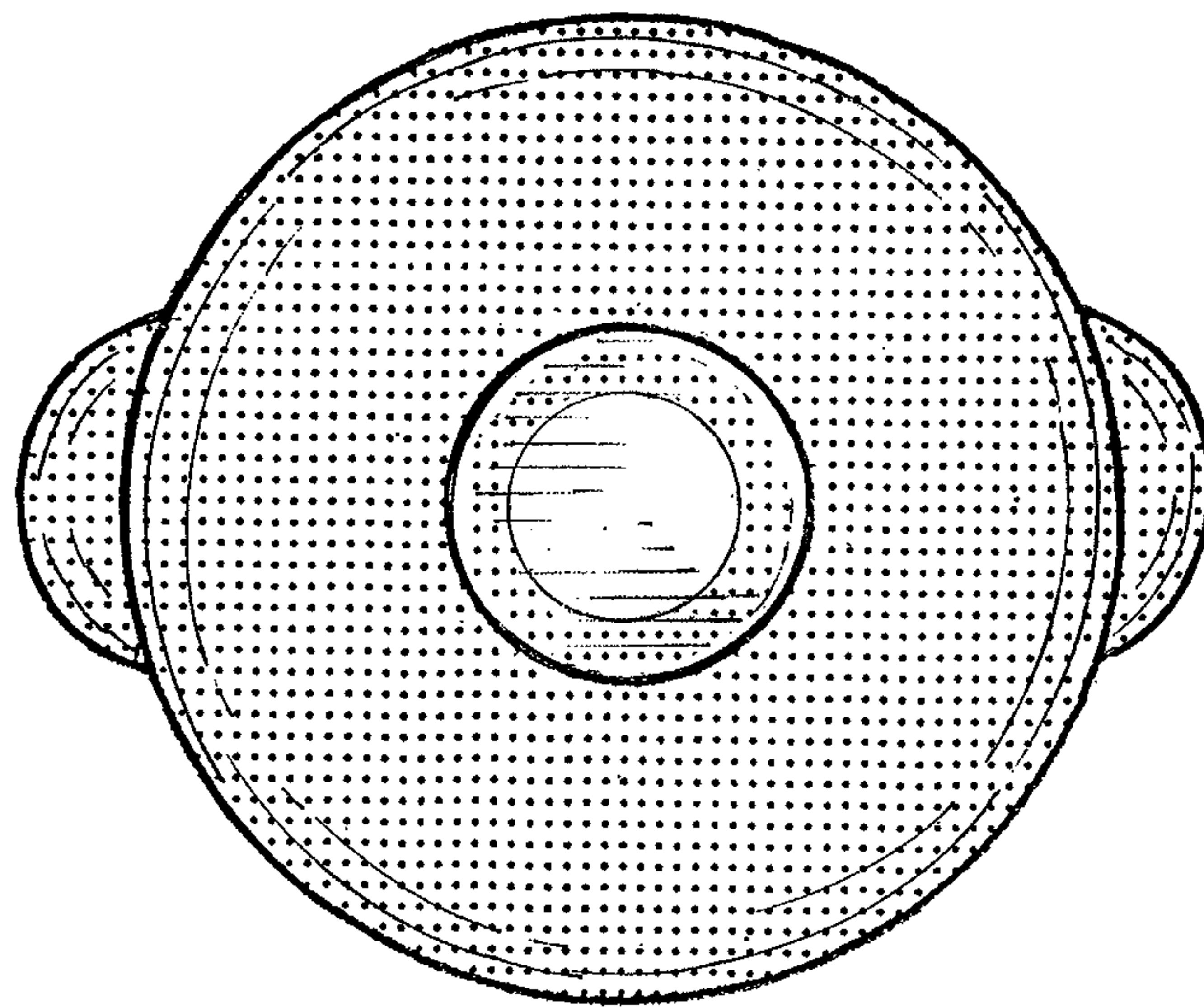


FIG. 5