



US00D701923S

(12) **United States Design Patent**  
**Jensen**

(10) **Patent No.:** **US D701,923 S**

(45) **Date of Patent:** **\*\* Apr. 1, 2014**

(54) **BUILDING BLOCK FROM A TOY BUILDING SET**

(71) Applicant: **Lego A/S**, Billund (DK)

(72) Inventor: **Stefan Jensen**, Odense SV (DK)

(73) Assignee: **Lego A/S**, Billund (DK)

(\*\*) Term: **14 Years**

(21) Appl. No.: **29/454,978**

(22) Filed: **May 16, 2013**

(30) **Foreign Application Priority Data**

Nov. 16, 2012 (EM) ..... 002137190

(51) **LOC (10) Cl.** ..... **21-01**

(52) **U.S. Cl.**  
USPC ..... **D21/500**

(58) **Field of Classification Search**

USPC ..... D21/453, 484, 489, 490, 492, 493, 504,  
D21/505, 564, 565, 802, 818; 446/168-174,  
446/84, 89, 108, 112, 114, 116, 124-128,  
446/429, 444-447; 463/58-69; 104/60, 69

See application file for complete search history.

(56) **References Cited**

U.S. PATENT DOCUMENTS

3,234,683	A *	2/1966	Christiansen	.....	446/103
D324,084	S *	2/1992	Knudsen	.....	D21/500
D336,120	S *	6/1993	Knudsen	.....	D21/500
D368,497	S *	4/1996	Schmidt et al.	.....	D21/501
D378,837	S *	4/1997	Olsen et al.	.....	D21/500

\* cited by examiner

*Primary Examiner* — Cynthia M Chin

(74) *Attorney, Agent, or Firm* — Day Pitney LLP

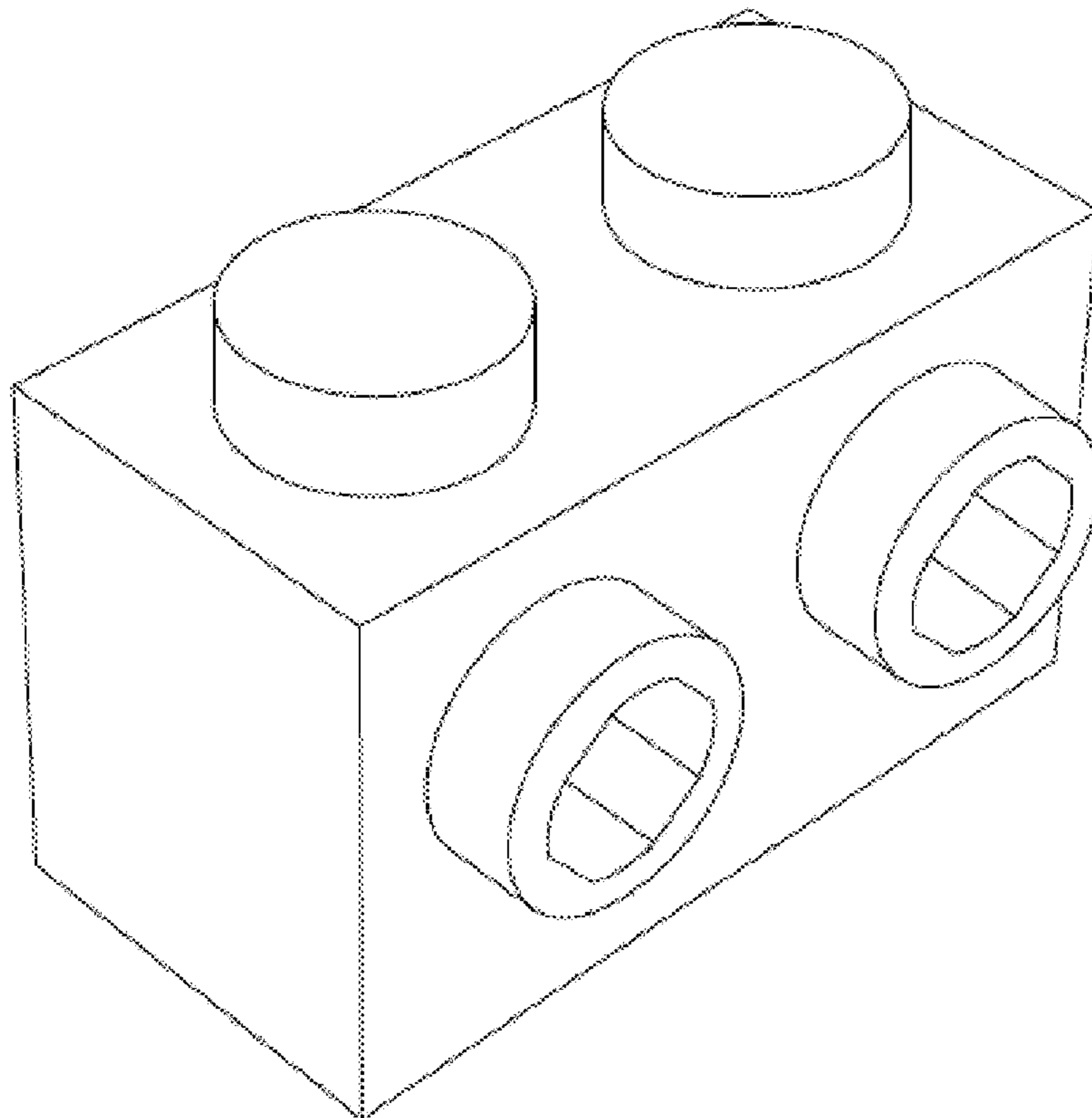
(57) **CLAIM**

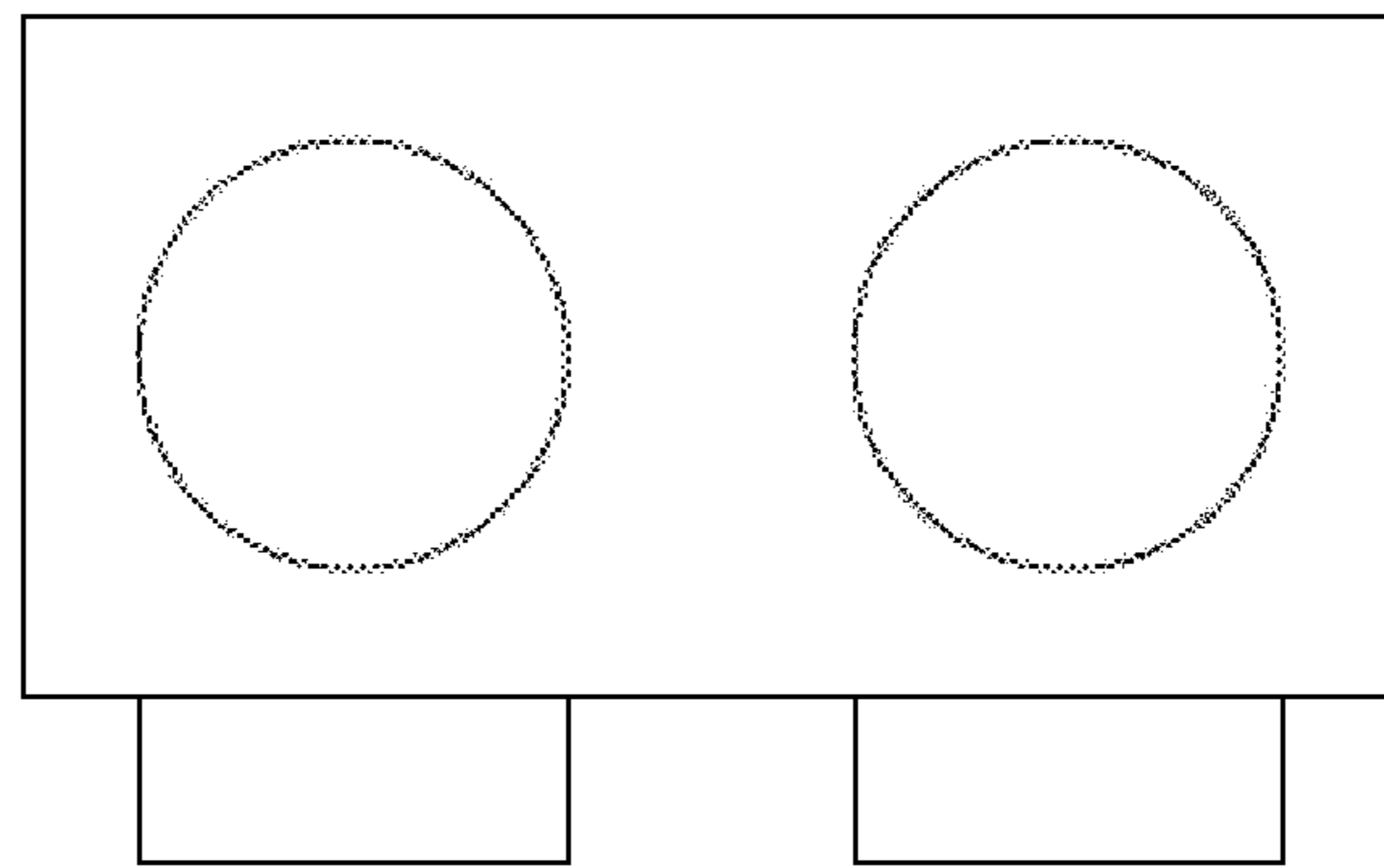
The ornamental design for a building block from a toy building set, as shown and described.

**DESCRIPTION**

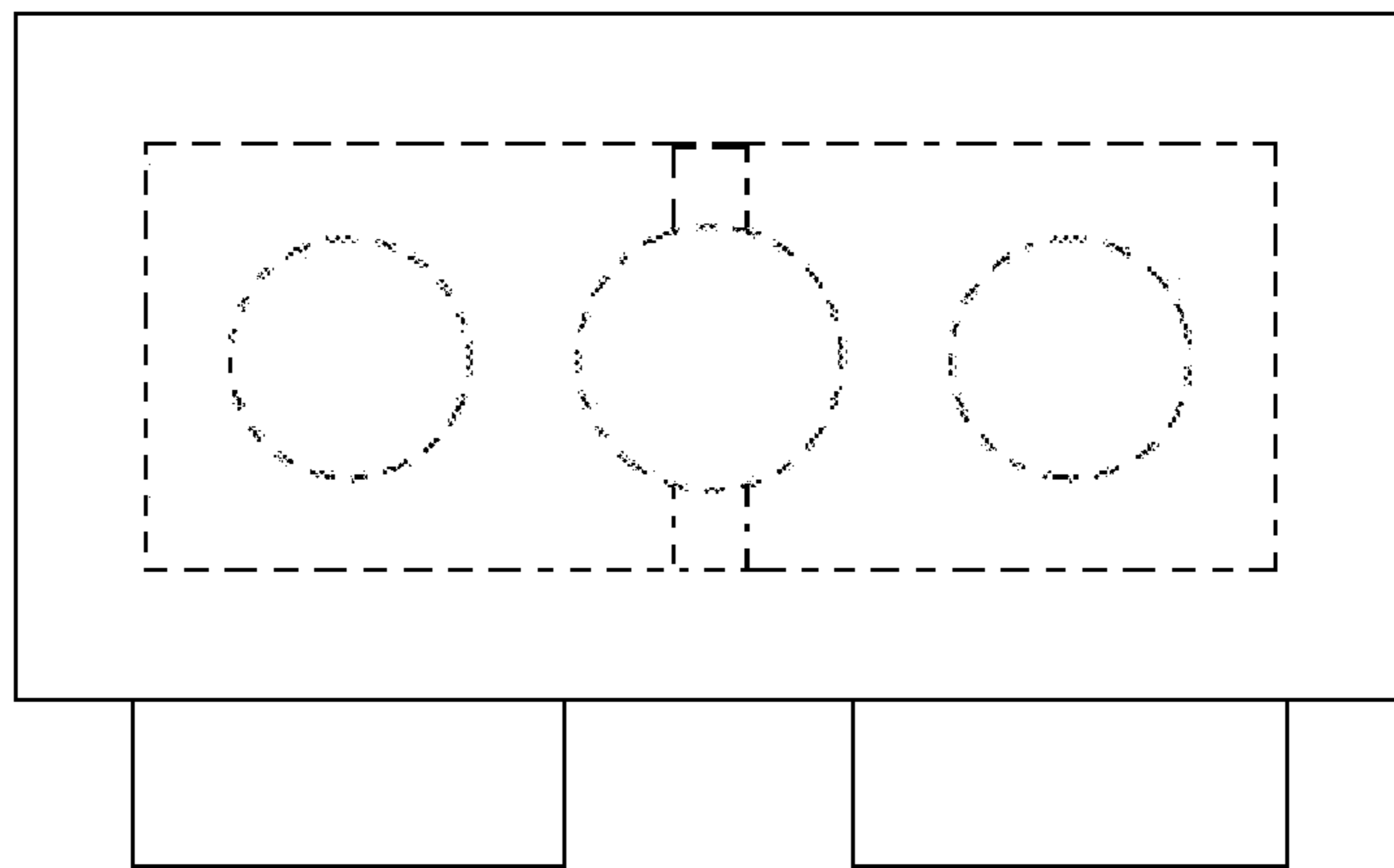
FIG. 1 is a top plan view of my ornamental design for a building block from a toy building set;  
FIG. 2 is a bottom view thereof;  
FIG. 3 is a left side view thereof;  
FIG. 4 is a front side view thereof;  
FIG. 5 is a right side view thereof;  
FIG. 6 is a rear side view thereof; and,  
FIG. 7 is a top, front perspective view thereof.  
The broken lines in each of the figures are for environmental purposes only and form no part of the claimed design.

**1 Claim, 7 Drawing Sheets**

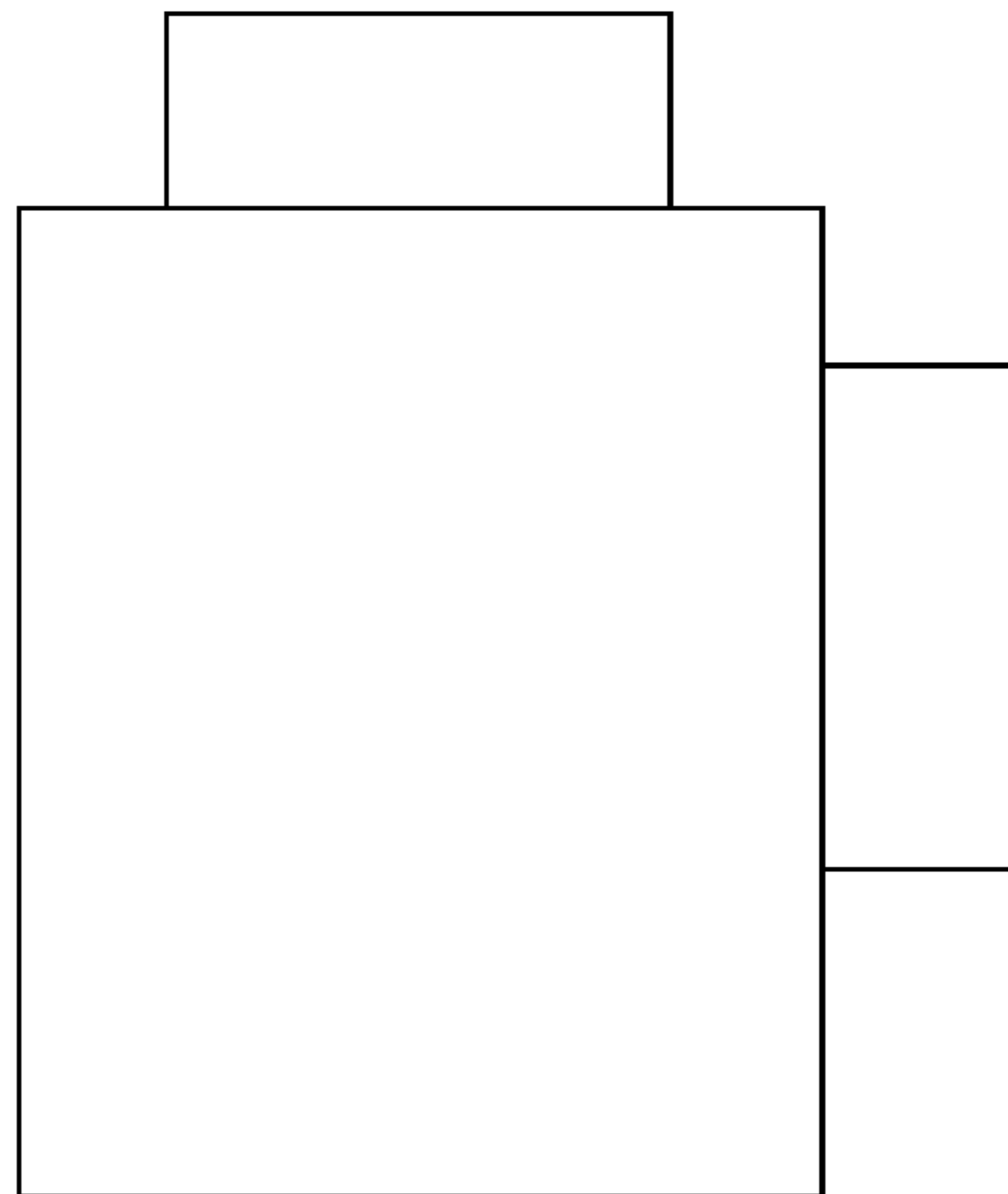




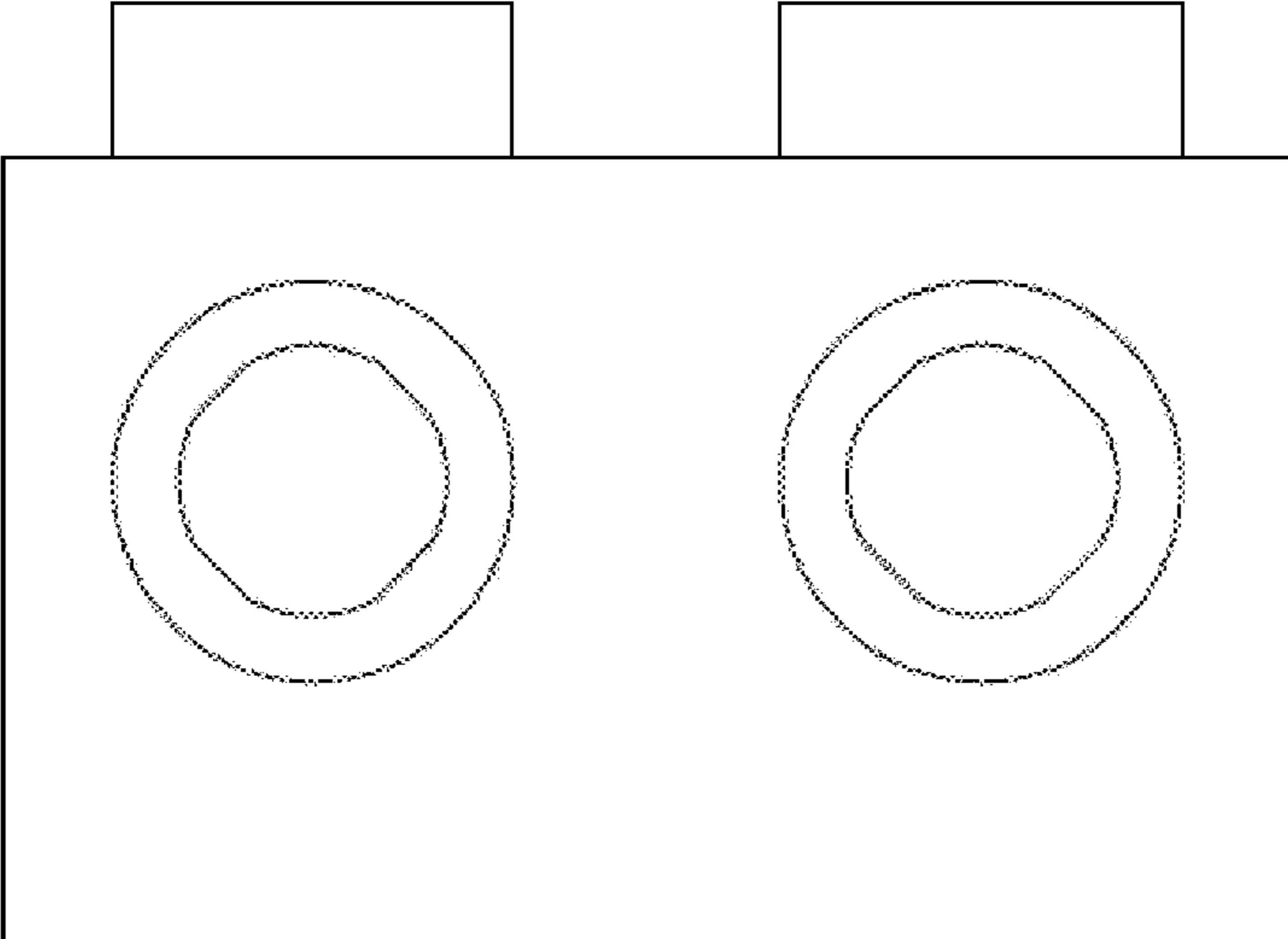
**FIG. 1**



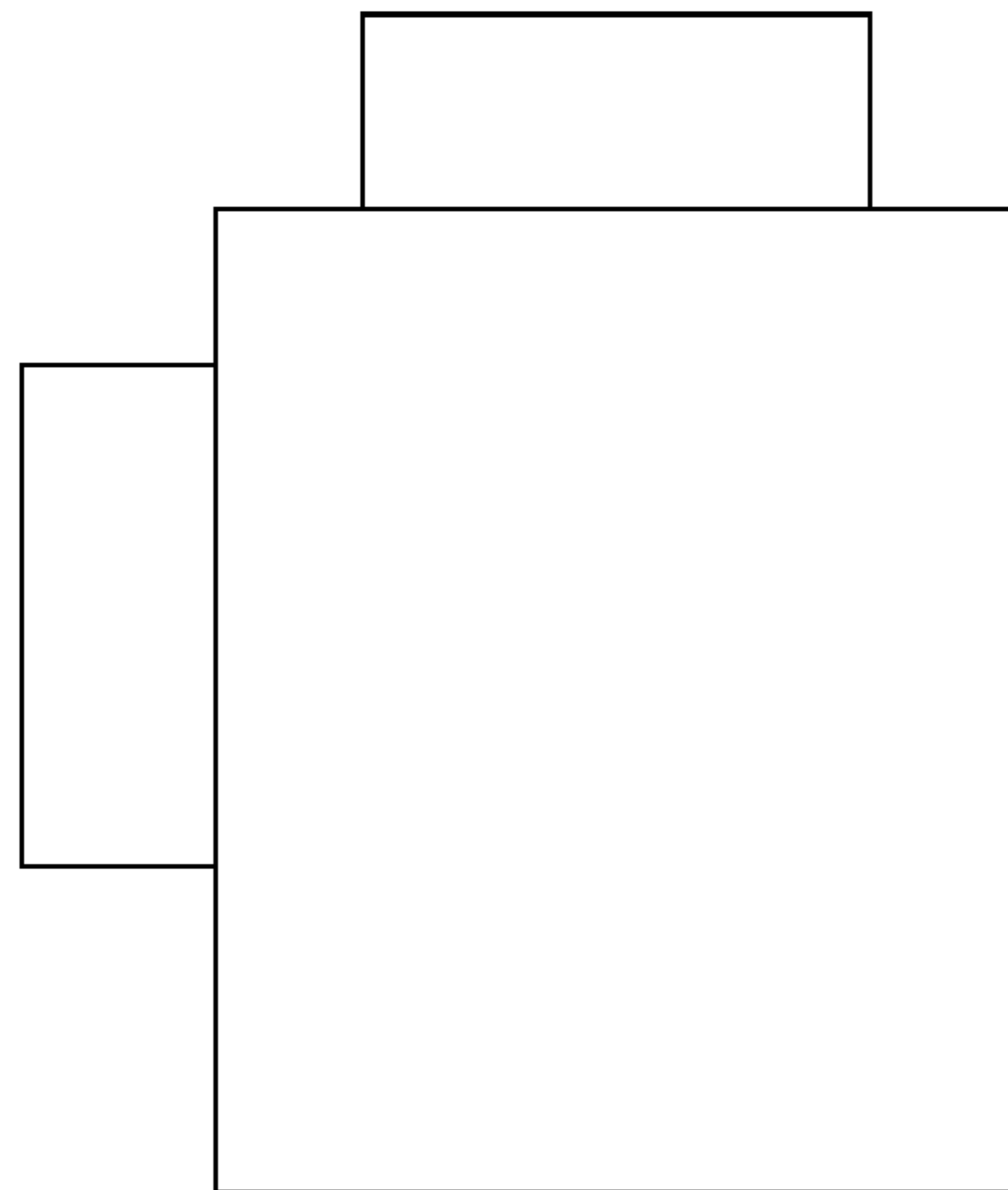
**FIG. 2**



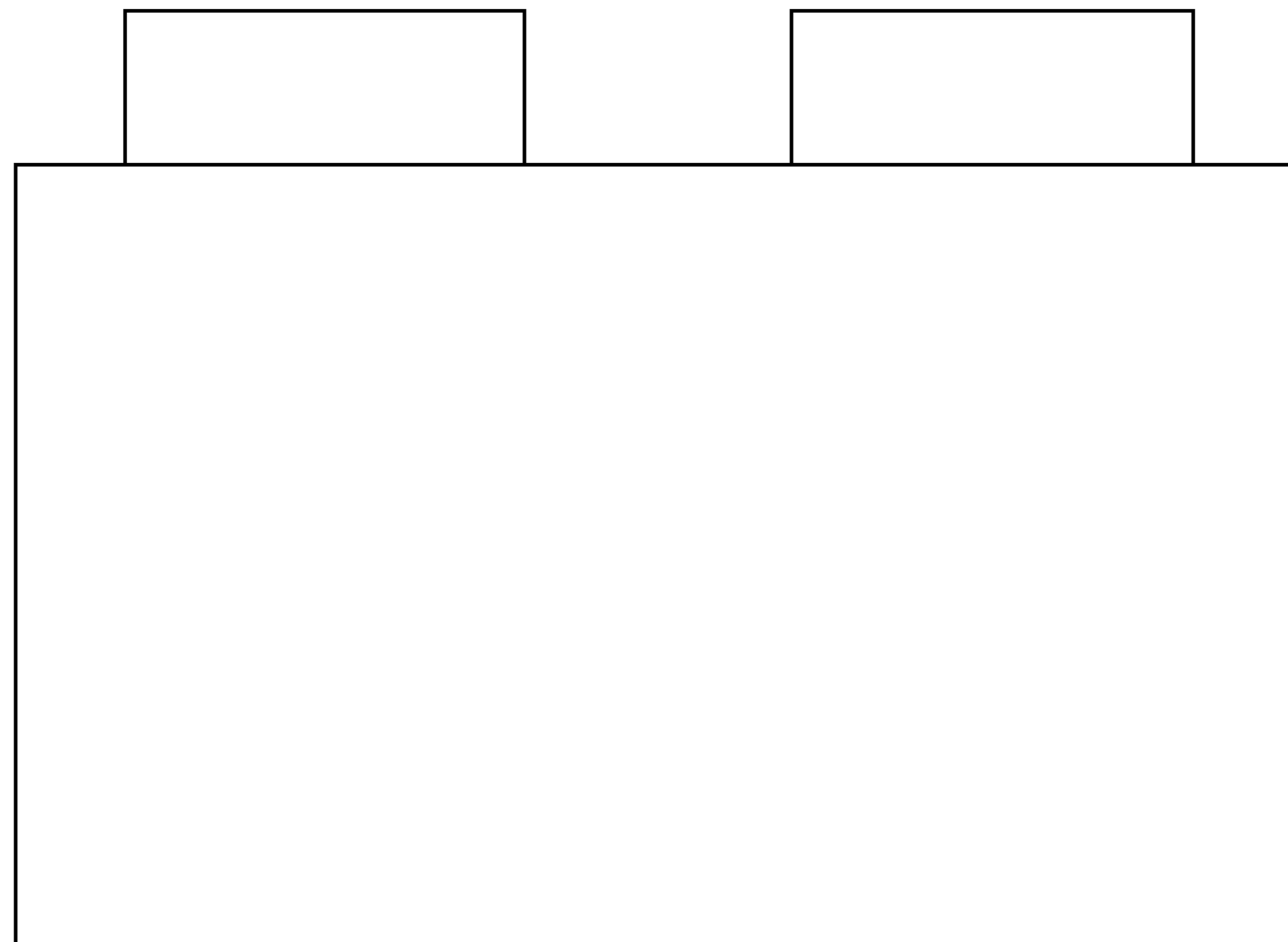
**FIG. 3**



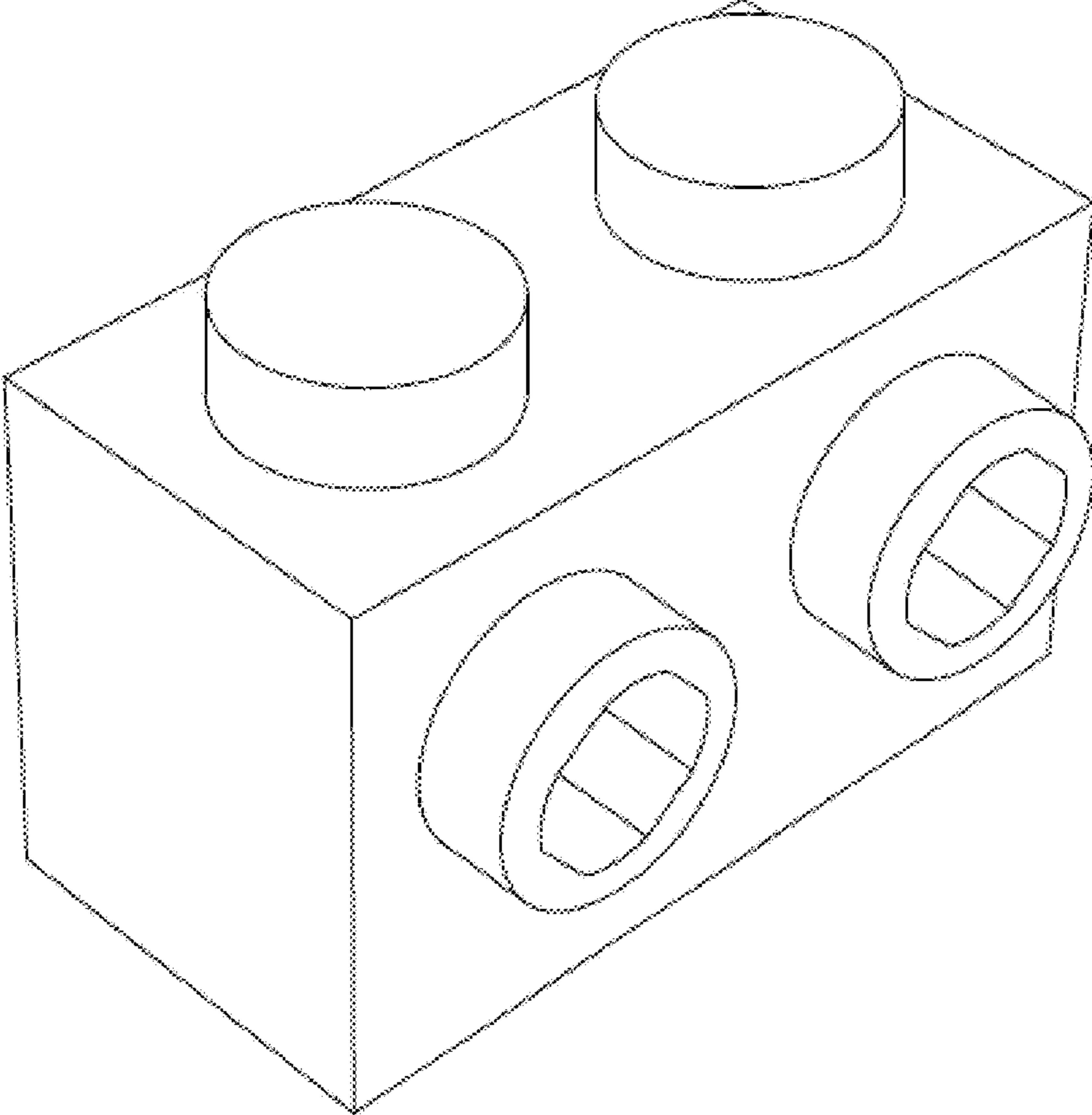
**FIG. 4**



**FIG. 5**



**FIG. 6**



**FIG. 7**