



US00D701920S

(12) **United States Design Patent**  
**Andersen**

(10) **Patent No.:** **US D701,920 S**

(45) **Date of Patent:** **\*\* Apr. 1, 2014**

(54) **BUILDING BLOCK FROM A TOY BUILDING SET**

(56)

**References Cited**

U.S. PATENT DOCUMENTS

(71) Applicant: **Lego A/S**, Billund (DK)  
(72) Inventor: **Henrik Andersen**, Vorbasse (DK)  
(73) Assignee: **Lego A/S**, Billund (DK)  
(\*\*) Term: **14 Years**

D325,053	S	*	3/1992	Skov	.....	D21/504
D325,054	S	*	3/1992	Skov	.....	D21/504
D325,055	S	*	3/1992	Skov	.....	D21/504
D328,930	S	*	8/1992	Jarnros	.....	D21/504
D332,641	S	*	1/1993	Skov	.....	D21/504
D335,154	S	*	4/1993	Knudsen	.....	D21/504
D353,629	S	*	12/1994	Skov	.....	D21/504
D375,983	S	*	11/1996	Olsen et al.	.....	D21/504
D380,020	S	*	6/1997	Nielsen	.....	D21/489
D672,405	S	*	12/2012	MacAdam	.....	D21/503

(21) Appl. No.: **29/454,992**

\* cited by examiner

(22) Filed: **May 16, 2013**

*Primary Examiner* — Cynthia M Chin

(74) *Attorney, Agent, or Firm* — Day Pitney LLP

(30) **Foreign Application Priority Data**

Nov. 16, 2012 (EM) ..... 002137190

(57) **CLAIM**

The ornamental design for a building block from a toy building set, as shown and described.

(51) **LOC (10) Cl.** ..... **21-01**

**DESCRIPTION**

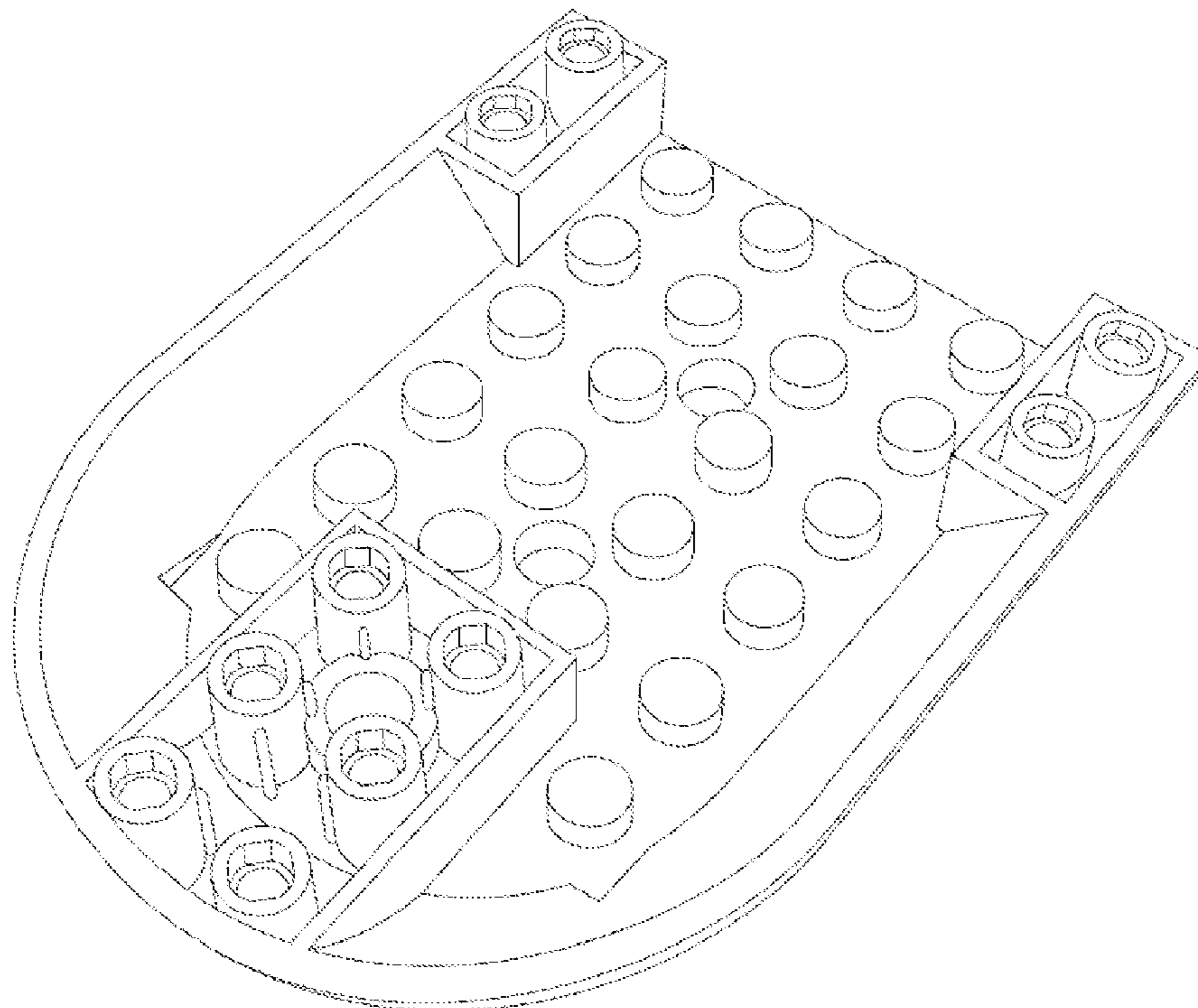
(52) **U.S. Cl.**  
USPC ..... **D21/495**; D21/492

(58) **Field of Classification Search**  
USPC ..... D21/453, 484, 489, 490, 492, 493, 495,  
D21/504, 505, 564, 565, 802, 818;  
446/168–174, 84, 89, 108, 112, 114,  
446/116, 124–128, 429, 444–447;  
463/58–69; 104/60, 69

FIG. 1 is a top plan view of my ornamental design for a building block from a toy building set;  
FIG. 2 is a bottom view thereof;  
FIG. 3 is a left side view thereof;  
FIG. 4 is a rear side view thereof;  
FIG. 5 is a right side view thereof;  
FIG. 6 is a front side view thereof; and,  
FIG. 7 is a top, front perspective view thereof.  
The broken lines in each of the figures are for environmental purposes only and form no part of the claimed design.

See application file for complete search history.

**1 Claim, 7 Drawing Sheets**



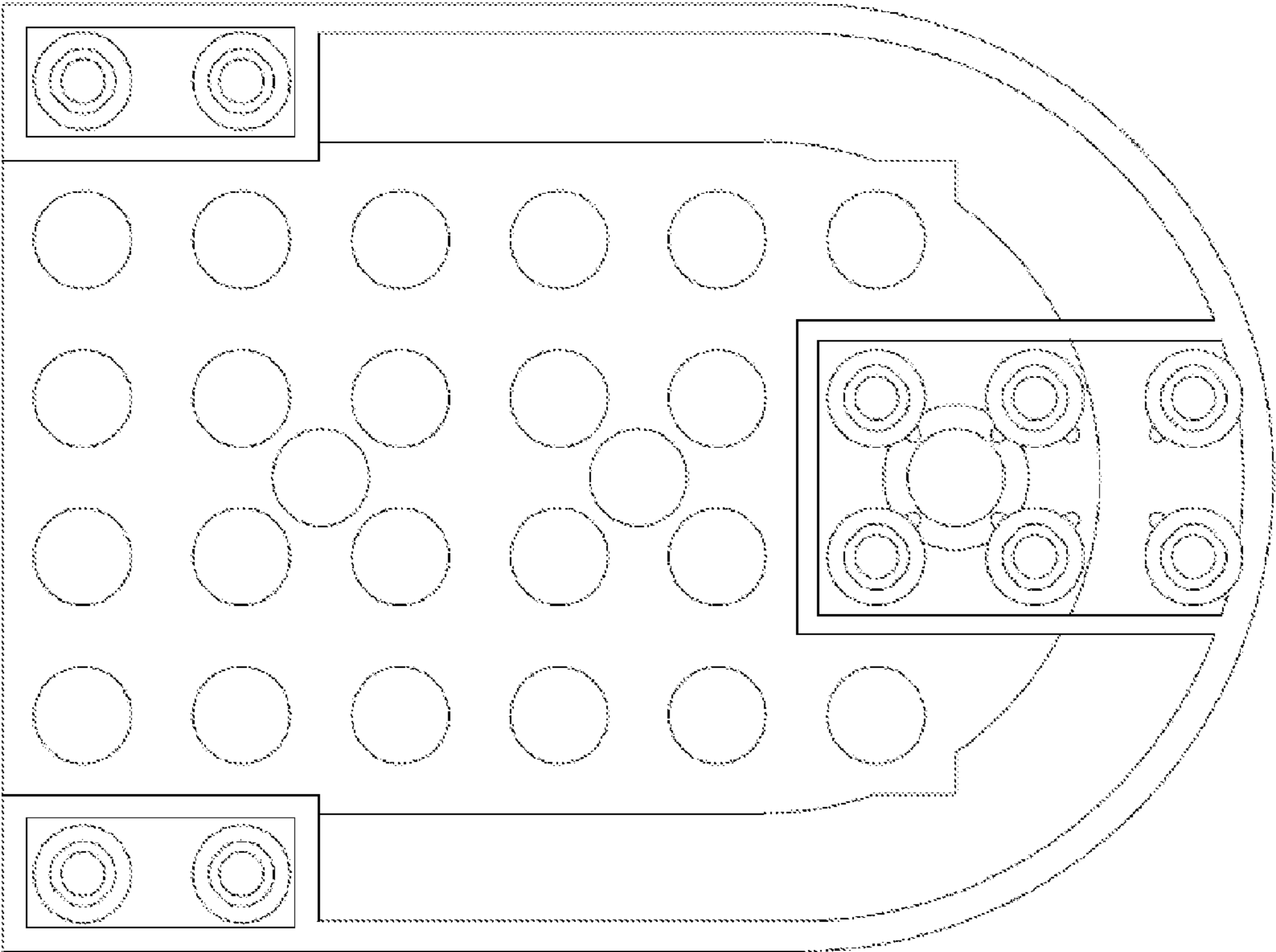


FIG. 1

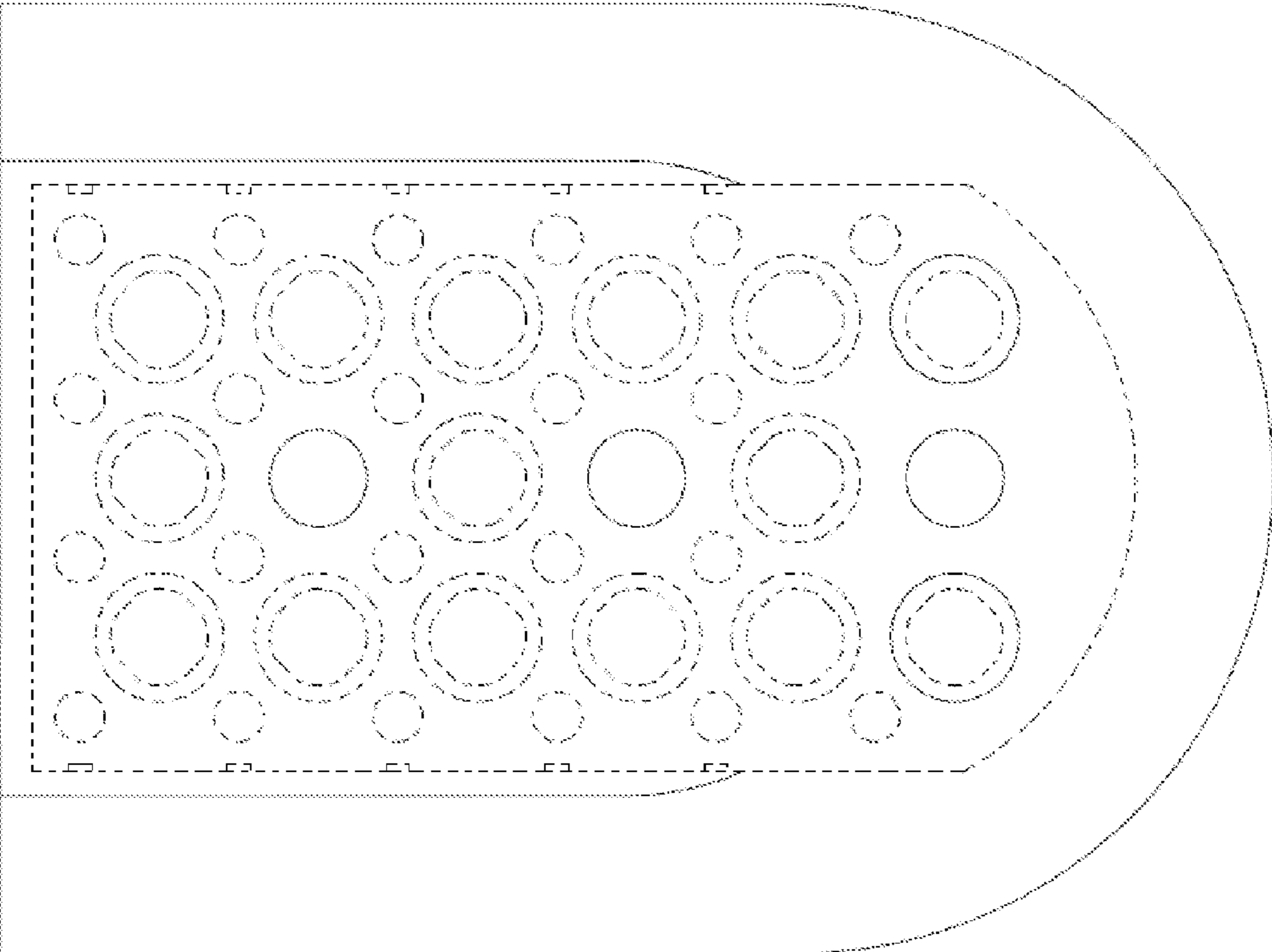


FIG. 2

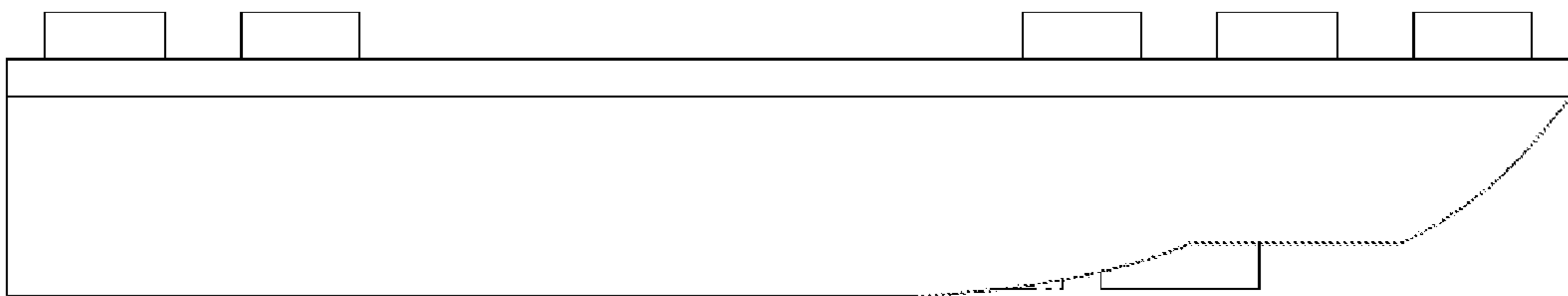


FIG. 3

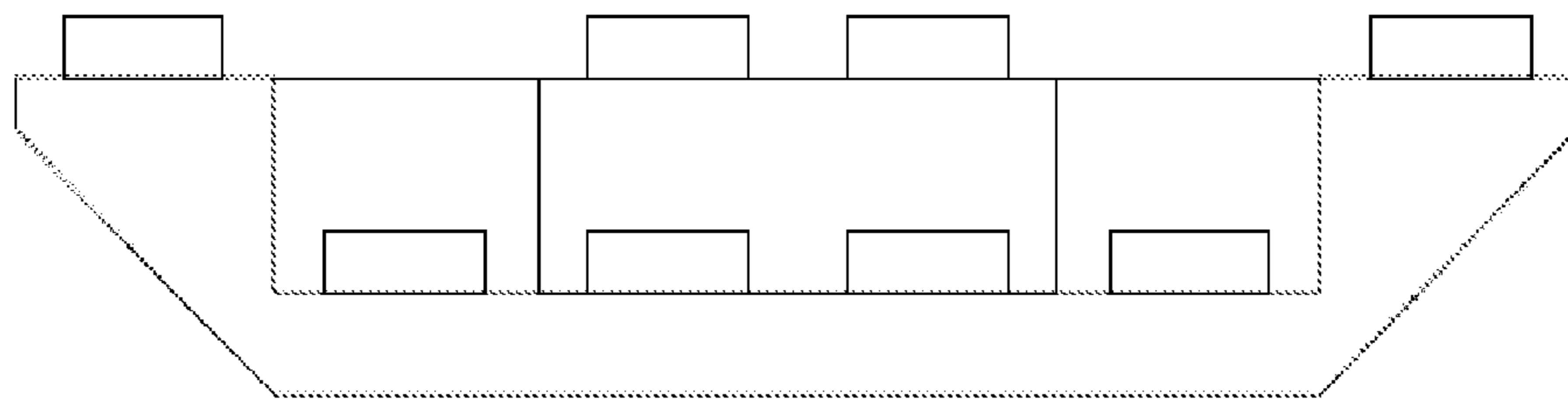


FIG. 4

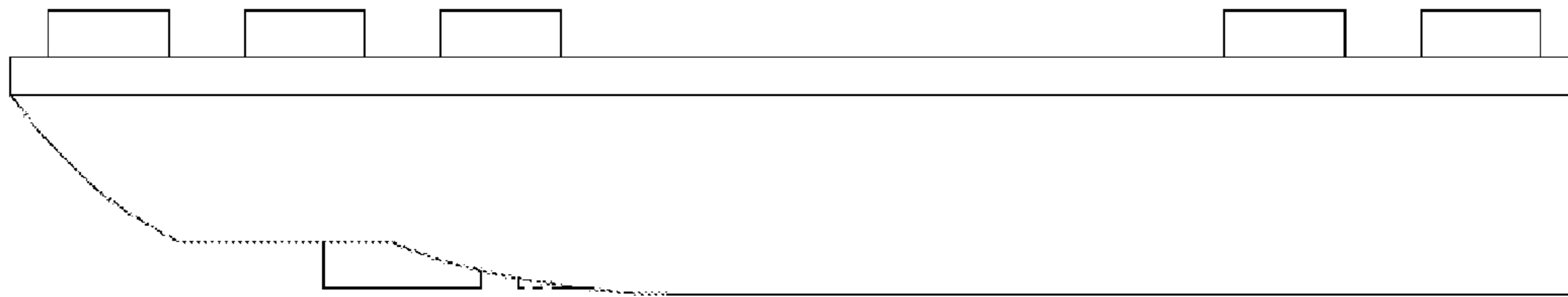


FIG. 5

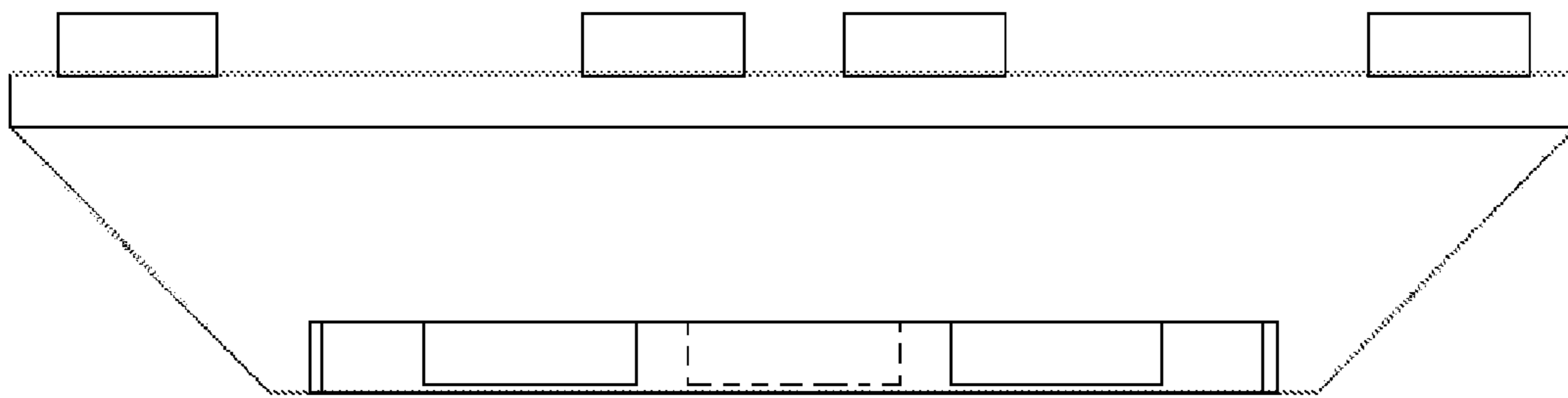


FIG. 6

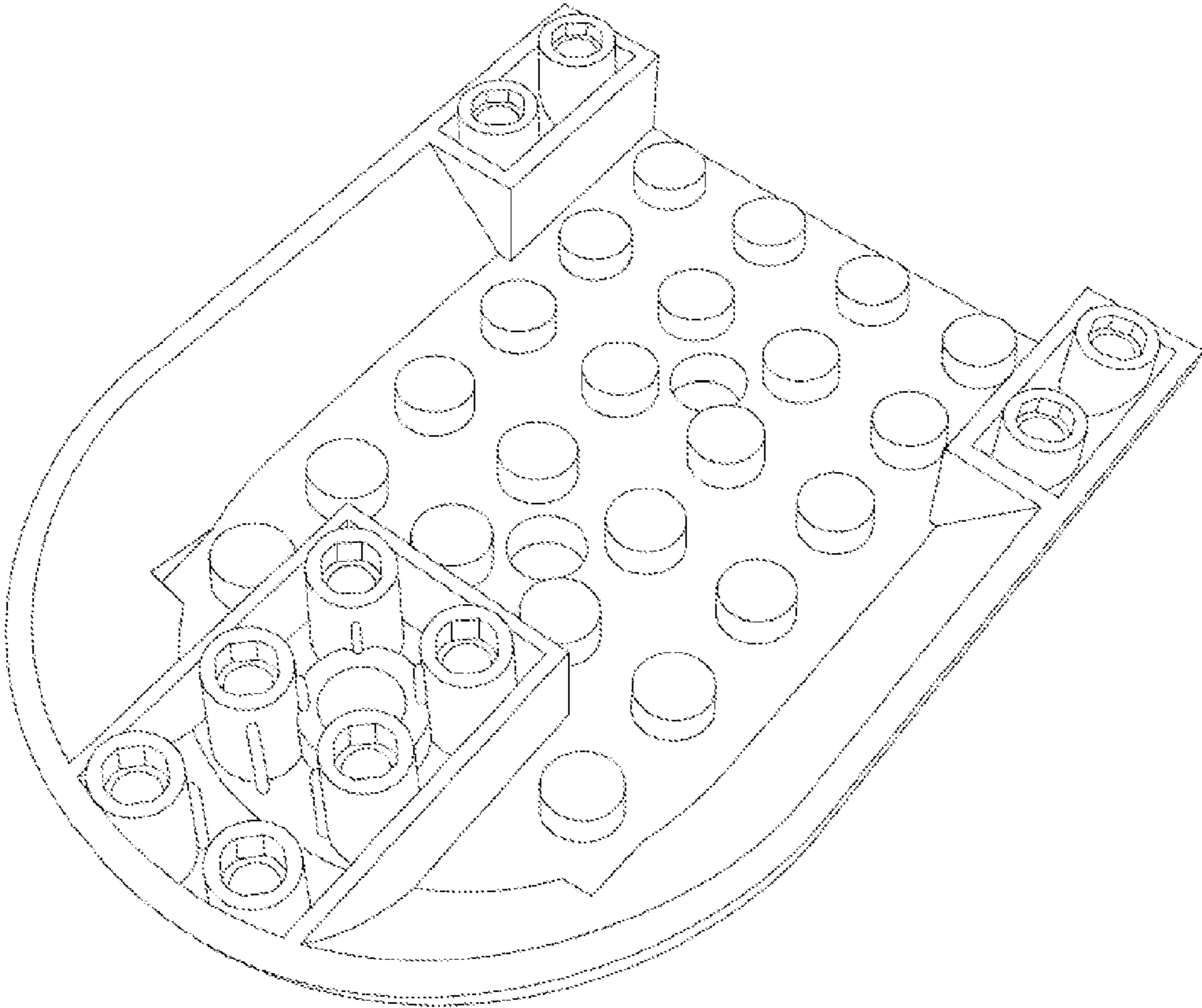


FIG. 7