



US00D701919S

(12) **United States Design Patent**
Madsen

(10) **Patent No.:** **US D701,919 S**

(45) **Date of Patent:** **** Apr. 1, 2014**

(54) **BUILDING BLOCK FROM A TOY BUILDING SET**

(71) Applicant: **Lego A/S**, Billund (DK)

(72) Inventor: **Bjarke Lykke Madsen**, Billund (DK)

(73) Assignee: **Lego A/S**, Billund (DK)

(**) Term: **14 Years**

(21) Appl. No.: **29/454,994**

(22) Filed: **May 16, 2013**

(30) **Foreign Application Priority Data**

Nov. 16, 2012 (EM) 002137190

(51) **LOC (10) Cl.** **21-01**

(52) **U.S. Cl.**
USPC **D21/488**

(58) **Field of Classification Search**
USPC D21/484-505; D25/113-118; 273/153,
273/156; 446/69, 85, 102-128

See application file for complete search history.

(56) **References Cited**

U.S. PATENT DOCUMENTS

D213,385 S *	2/1969	Molenaar	D21/488
D236,277 S *	8/1975	McAllister	D21/488
D297,033 S *	8/1988	Yamada	D21/501
D314,995 S *	2/1991	Poulsen et al.	D21/488
D360,659 S *	7/1995	Knudsen	D21/489
D380,789 S *	7/1997	Gabriel	D21/491
D689,955 S *	9/2013	Jensen	D21/488

* cited by examiner

Primary Examiner — Cynthia M Chin

(74) *Attorney, Agent, or Firm* — Day Pitney LLP

(57) **CLAIM**

The ornamental design for a building block from a toy building set, as shown and described.

DESCRIPTION

FIG. 1 is a top plan view of my ornamental design for a building block from a toy building set;

FIG. 2 is a bottom view thereof;

FIG. 3 is a side view thereof;

FIG. 4 is another side view thereof;

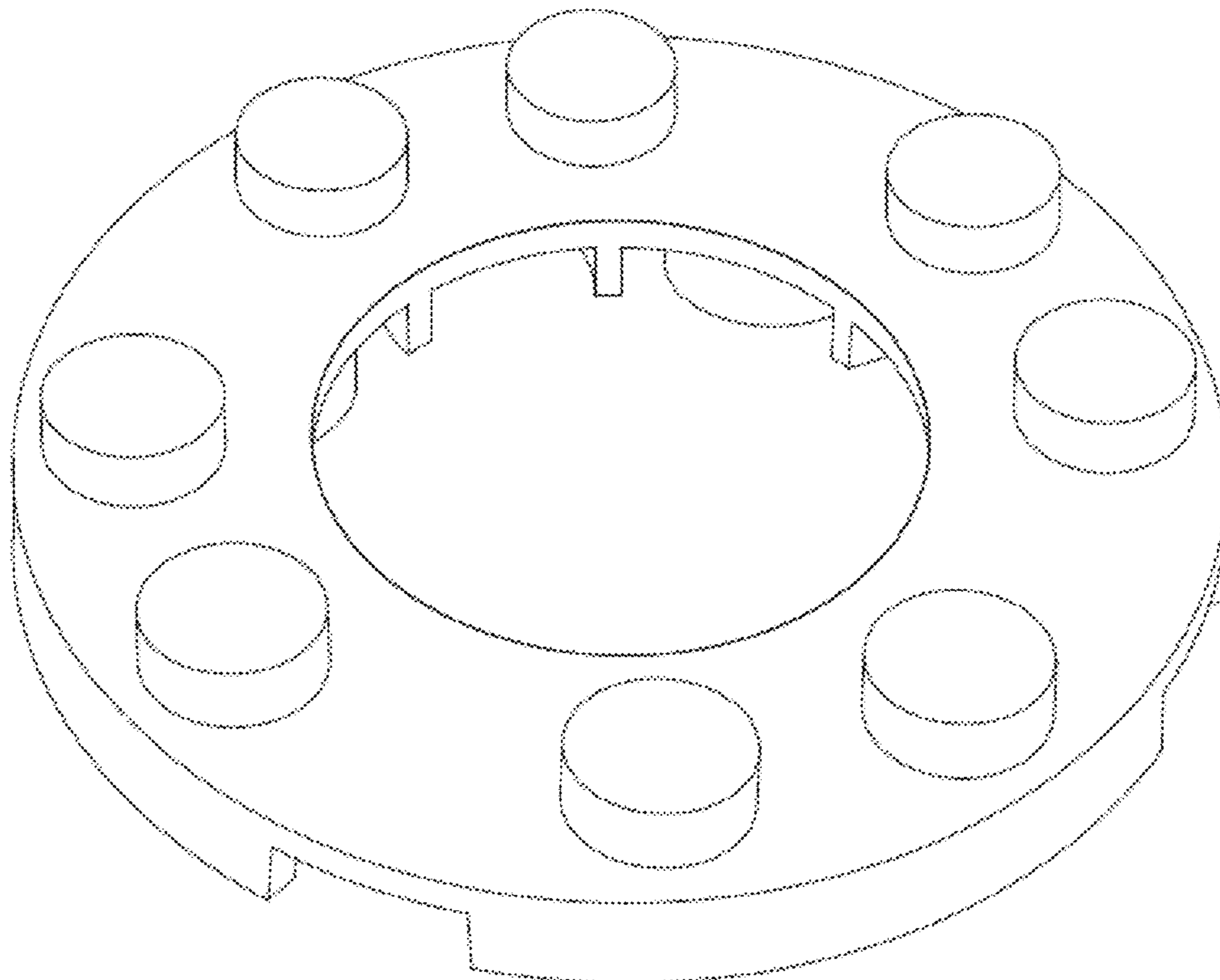
FIG. 5 is another side view thereof;

FIG. 6 is another side view thereof; and,

FIG. 7 is a top, front perspective view thereof.

The broken lines in each of the figures are for environmental purposes only and form no part of the claimed design.

1 Claim, 7 Drawing Sheets



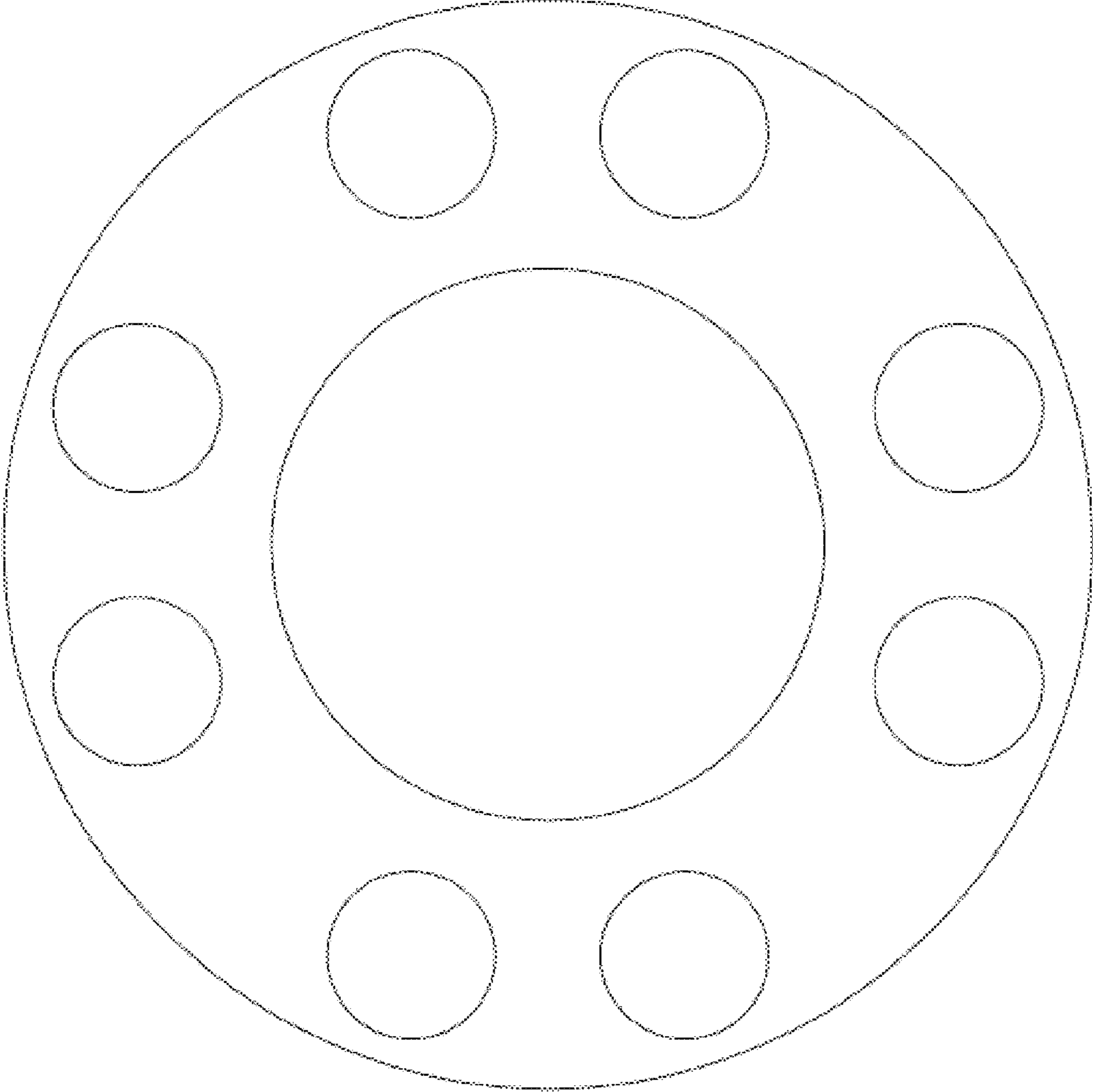


FIG. 1

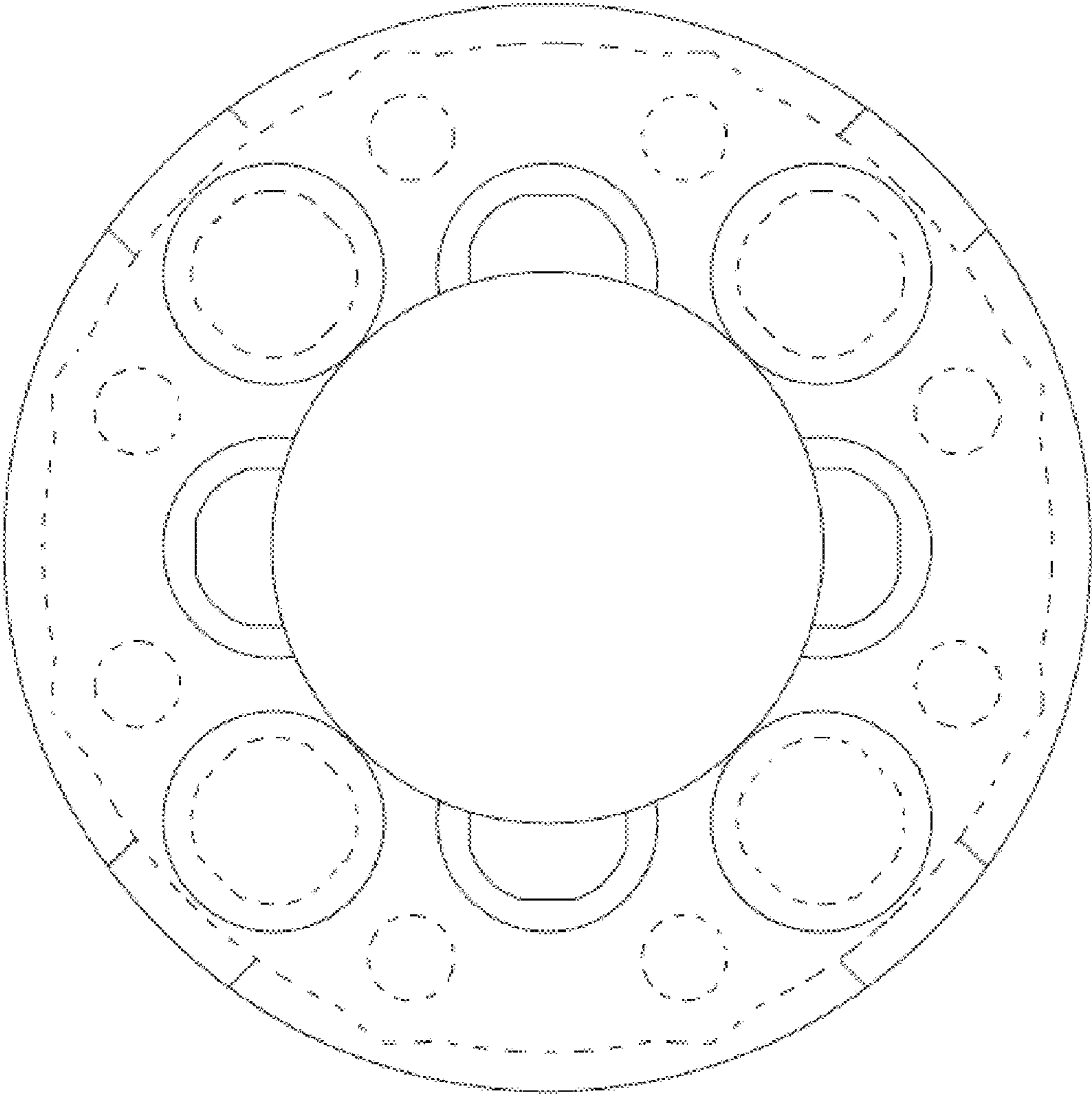


FIG. 2

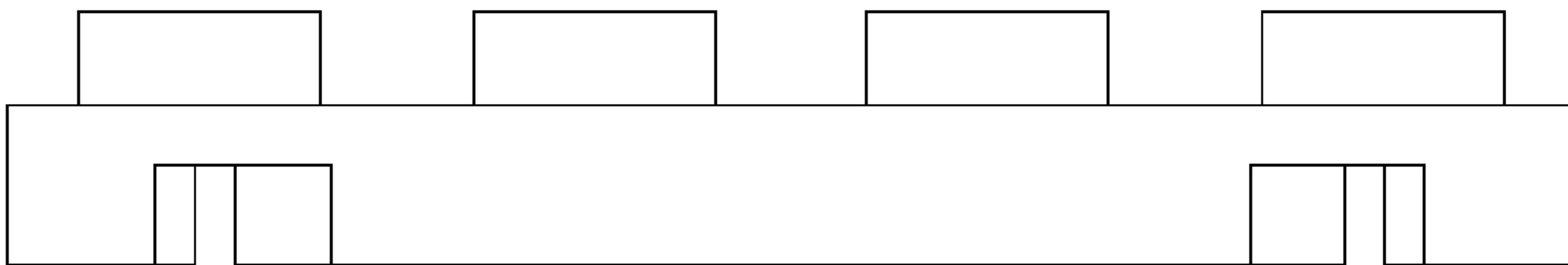


FIG. 3

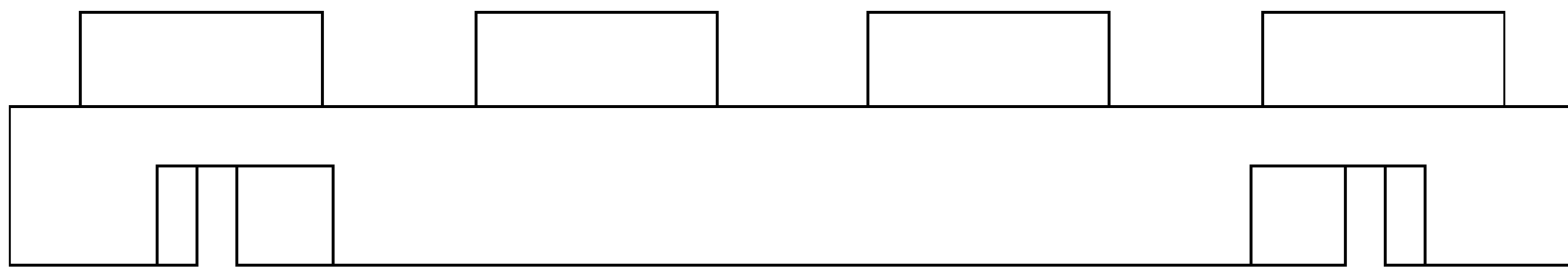


FIG. 4

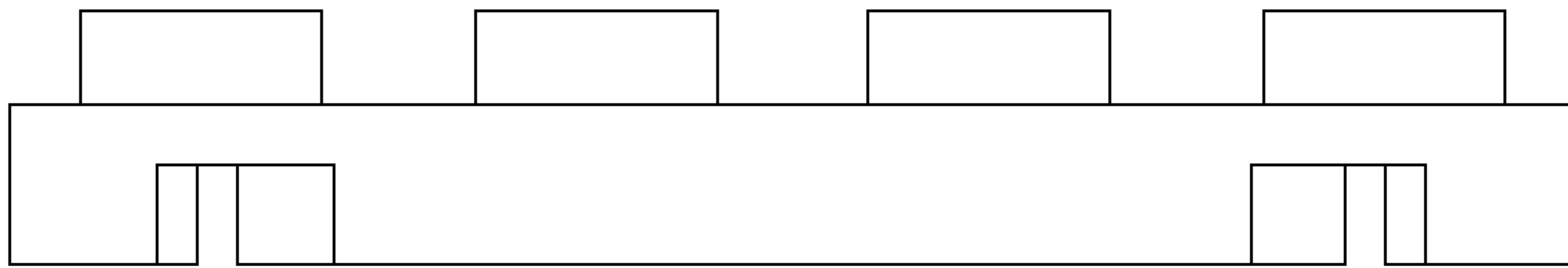


FIG. 5

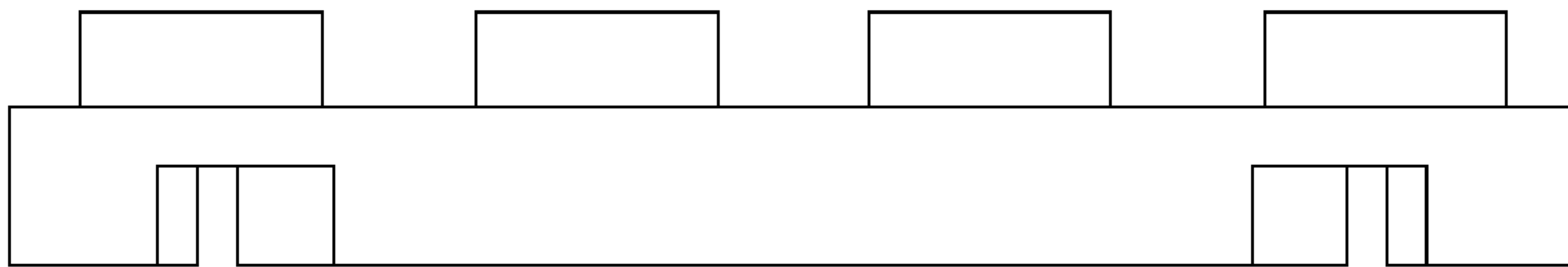


FIG. 6

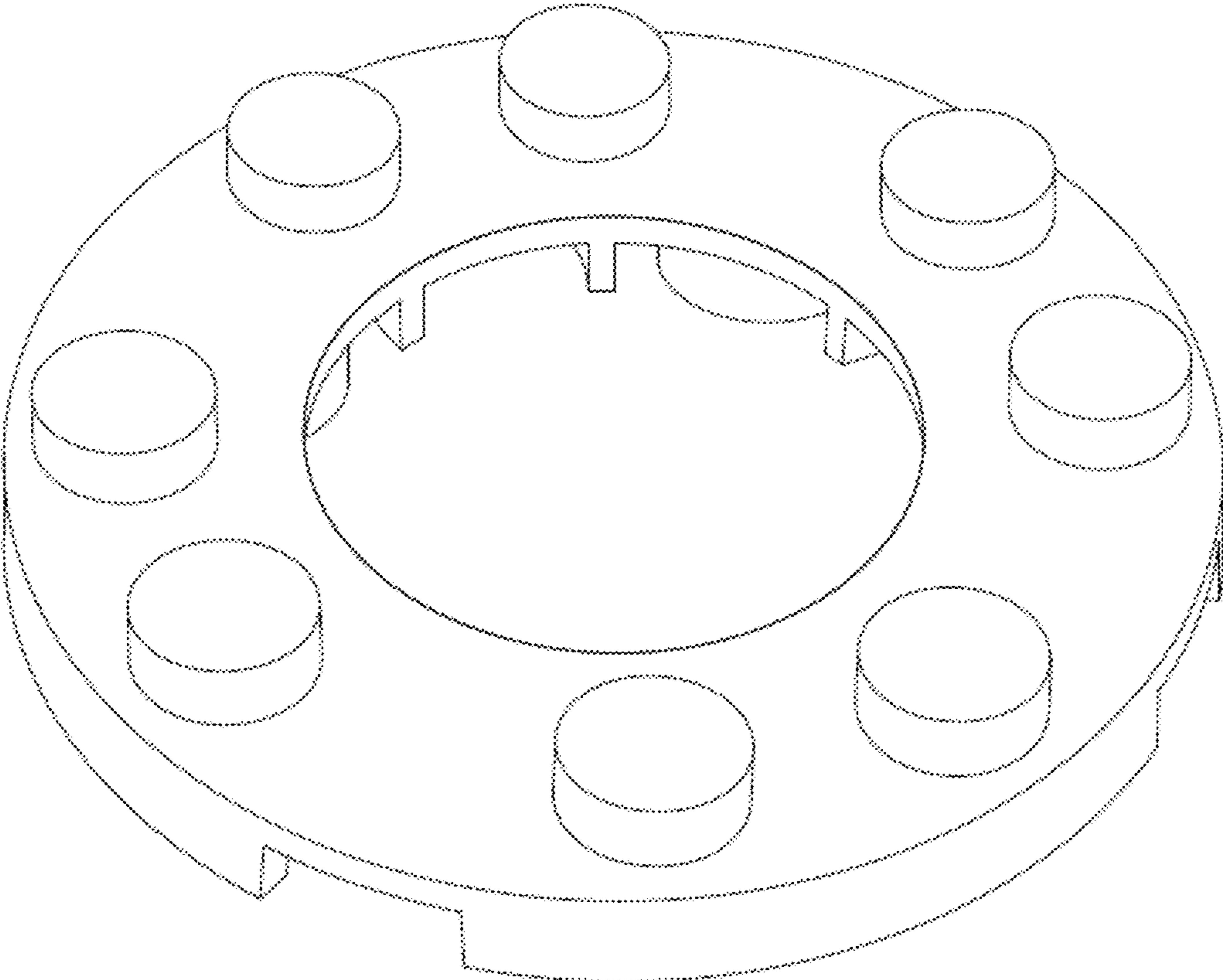


FIG. 7