



US00D701917S

(12) **United States Design Patent**  
**Ghahramanian**

(10) **Patent No.:** **US D701,917 S**

(45) **Date of Patent:** **\*\* Apr. 1, 2014**

(54) **GAMING SIMULATOR FRAME AND SEAT**

(75) Inventor: **Hessam Ghahramanian**, Benowa (AU)

(73) Assignee: **Pagnian Imports Pty Ltd**, Queensland (AU)

(\*\*) Term: **14 Years**

(21) Appl. No.: **29/426,183**

(22) Filed: **Jul. 2, 2012**

(51) **LOC (10) Cl.** ..... **21-01**

(52) **U.S. Cl.**  
USPC ..... **D21/326; D21/333**

(58) **Field of Classification Search**  
USPC ..... D21/325, 329, 333, 369-371, 385;  
273/148 B, 138.1; 463/1, 16-21, 25,  
463/42, 46, 47

See application file for complete search history.

(56) **References Cited**

**U.S. PATENT DOCUMENTS**

5,054,771	A *	10/1991	Mansfield	.....	463/36
5,437,453	A *	8/1995	Hineman	.....	463/38
D384,705	S *	10/1997	Muraki et al.	.....	D21/326
D392,688	S *	3/1998	Isetani et al.	.....	D21/326

5,911,634	A *	6/1999	Nidata et al.	.....	472/59
6,083,106	A *	7/2000	McDowell	.....	463/46
6,132,314	A *	10/2000	Aiki	.....	463/37
D446,263	S *	8/2001	Heys	.....	D21/477
6,471,586	B1 *	10/2002	Aiki et al.	.....	463/6
D467,977	S *	12/2002	Gatto et al.	.....	D21/326
D493,843	S *	8/2004	Jackson et al.	.....	D21/327
D545,912	S *	7/2007	Nunokawa	.....	D21/326
D656,553	S *	3/2012	Blaskov et al.	.....	D21/326

\* cited by examiner

*Primary Examiner* — Prabhakar Deshmukh

(74) *Attorney, Agent, or Firm* — Renner Kenner Grieve  
Bobak Taylor & Weber

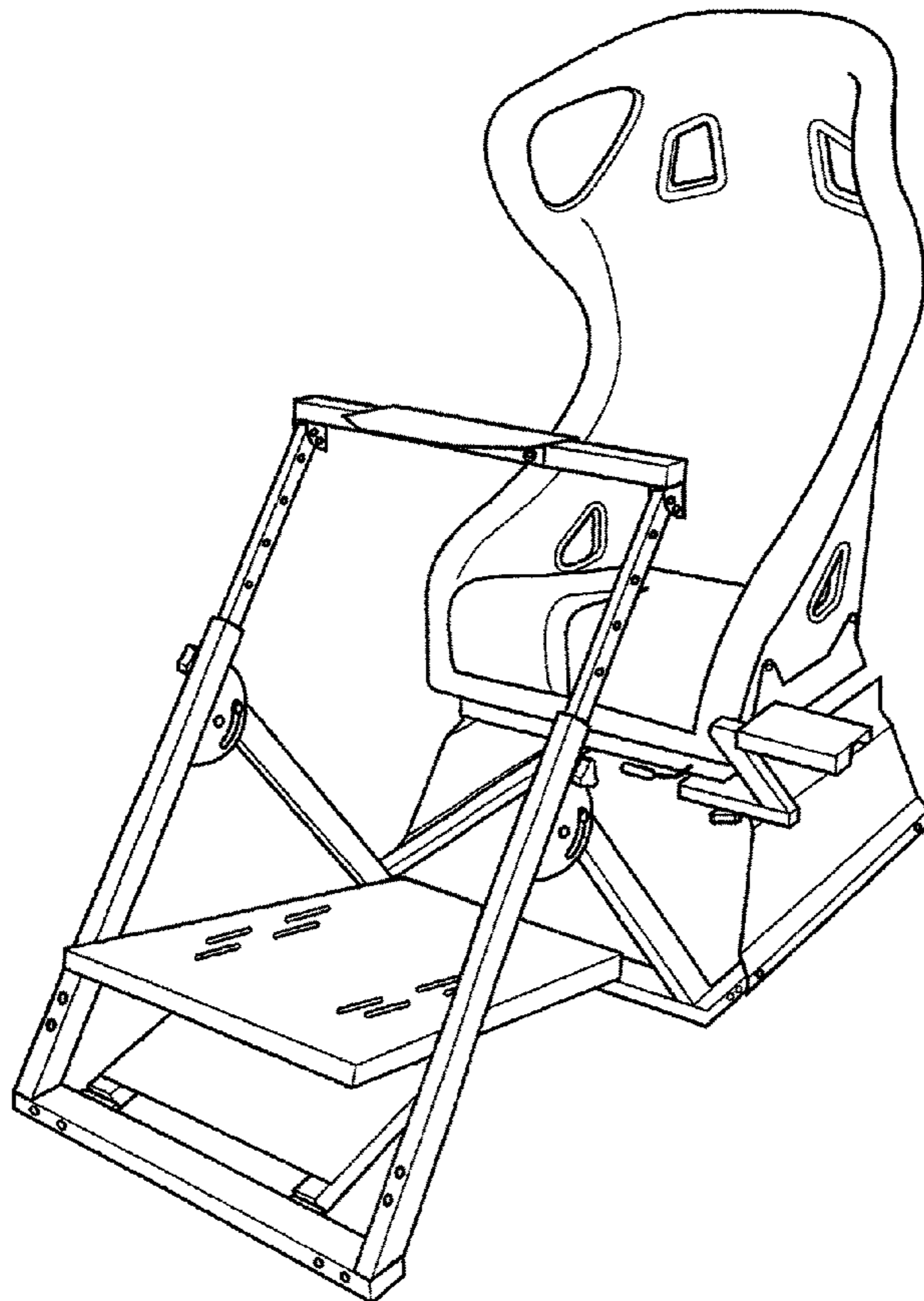
(57) **CLAIM**

The ornamental design for a gaming simulator frame and seat,  
as shown and described.

**DESCRIPTION**

FIG. 1 is a front view of a gaming simulator frame and seat  
showing my new design;  
FIG. 2 is a back view thereof;  
FIG. 3 is a side view thereof;  
FIG. 4 is a top view thereof;  
FIG. 5 is a bottom view thereof; and,  
FIG. 6 is a perspective view thereof.

**1 Claim, 4 Drawing Sheets**



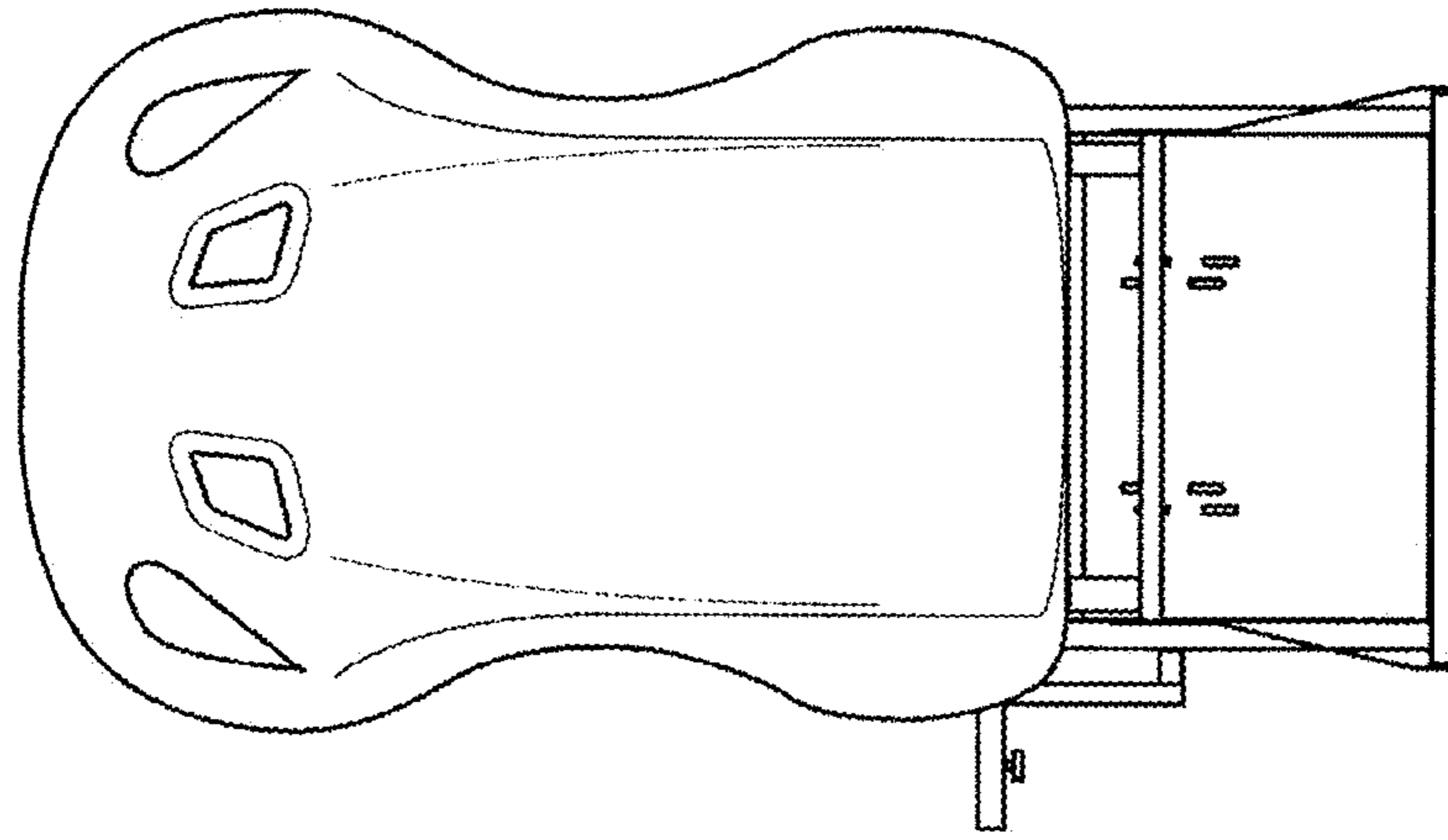


FIG 2

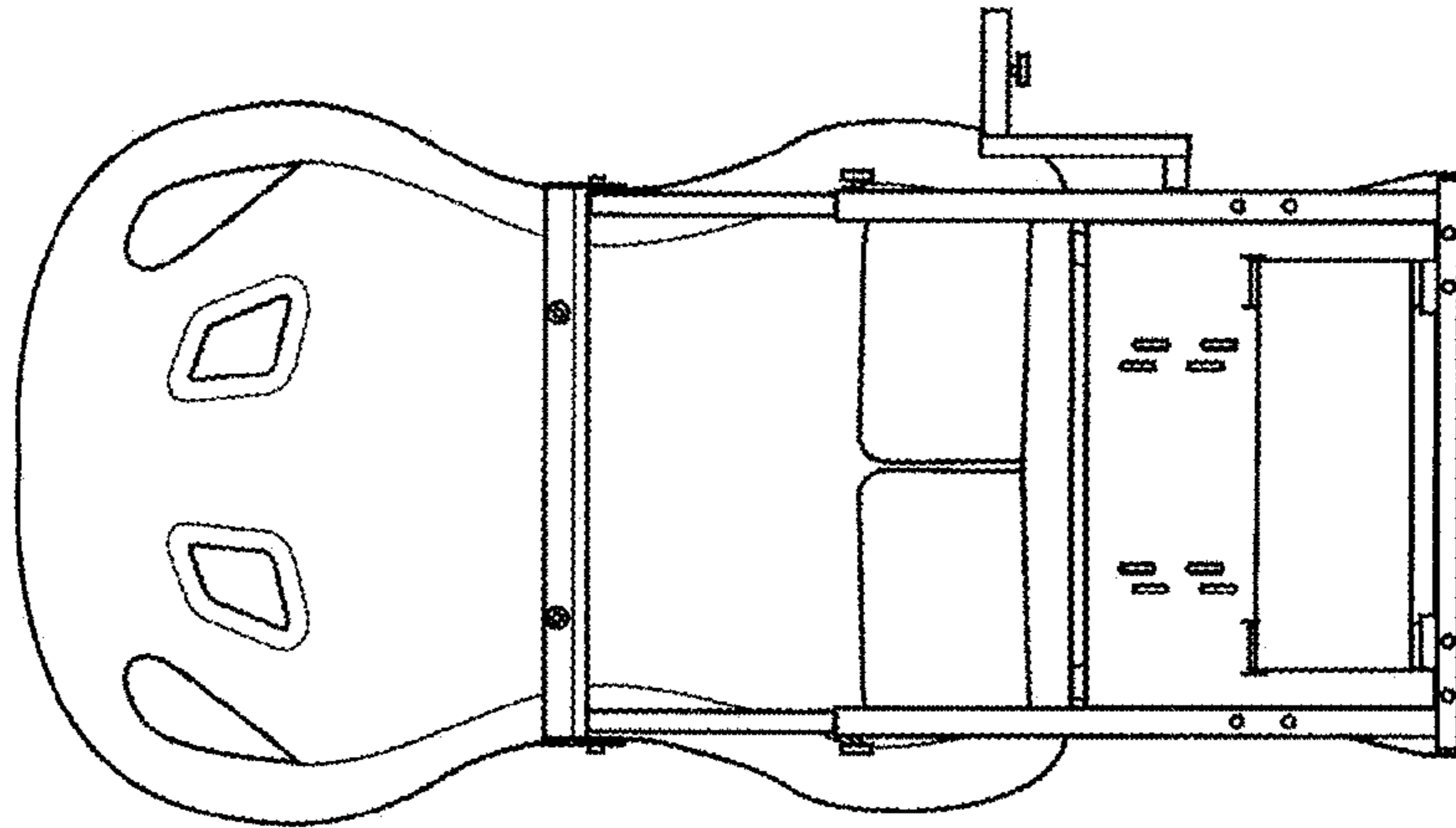


FIG 1

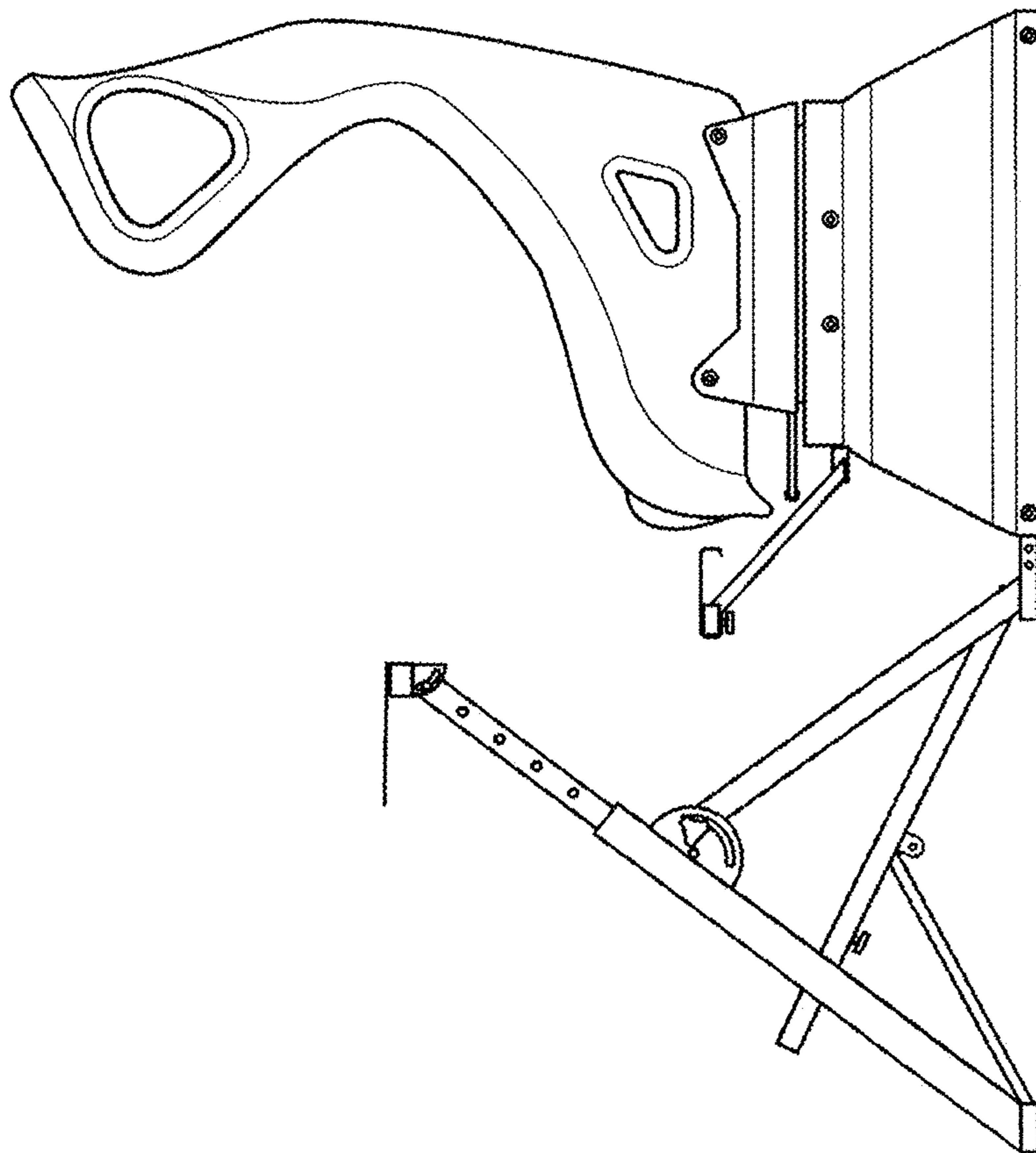


FIG 3

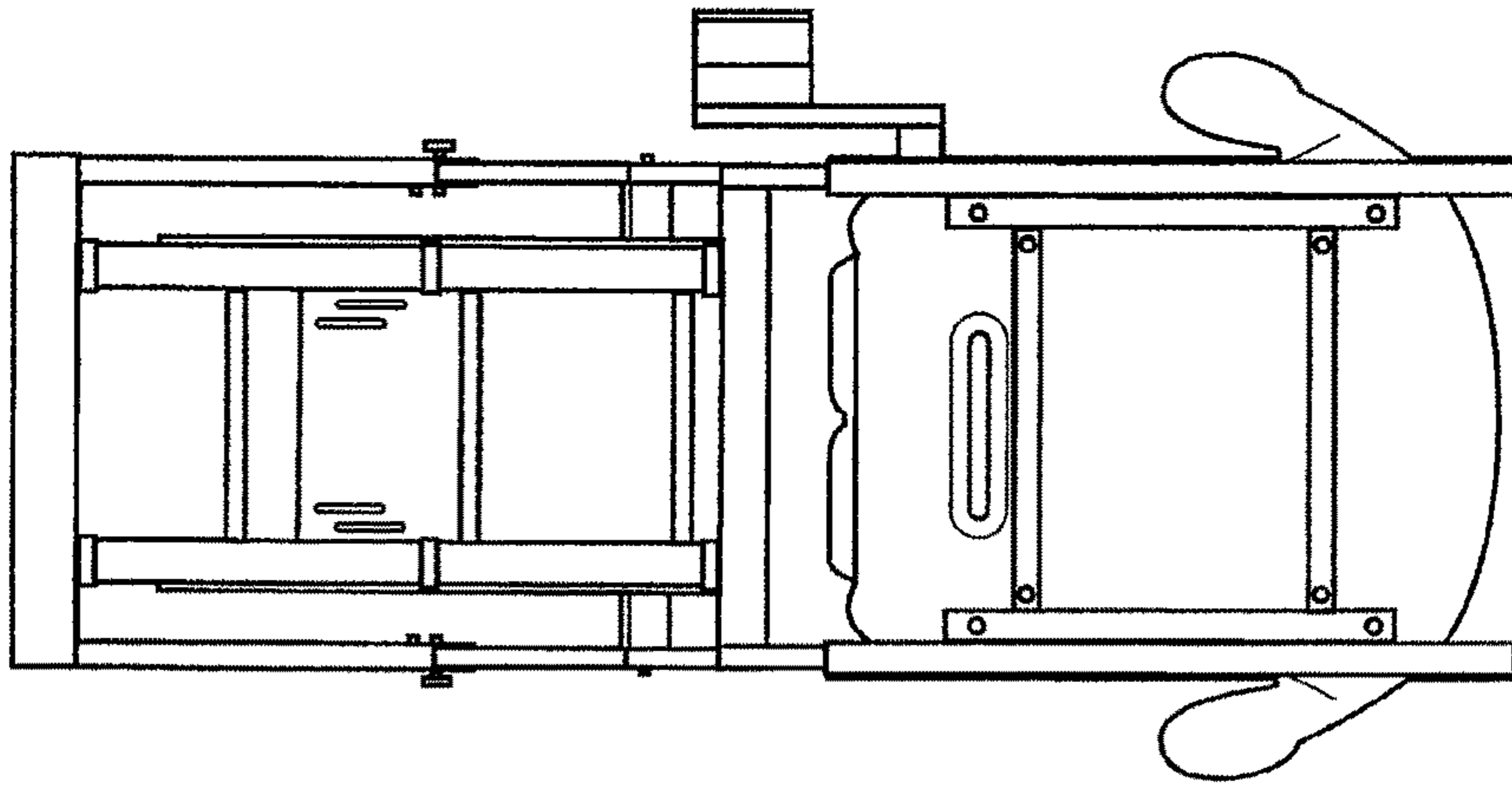


FIG 5

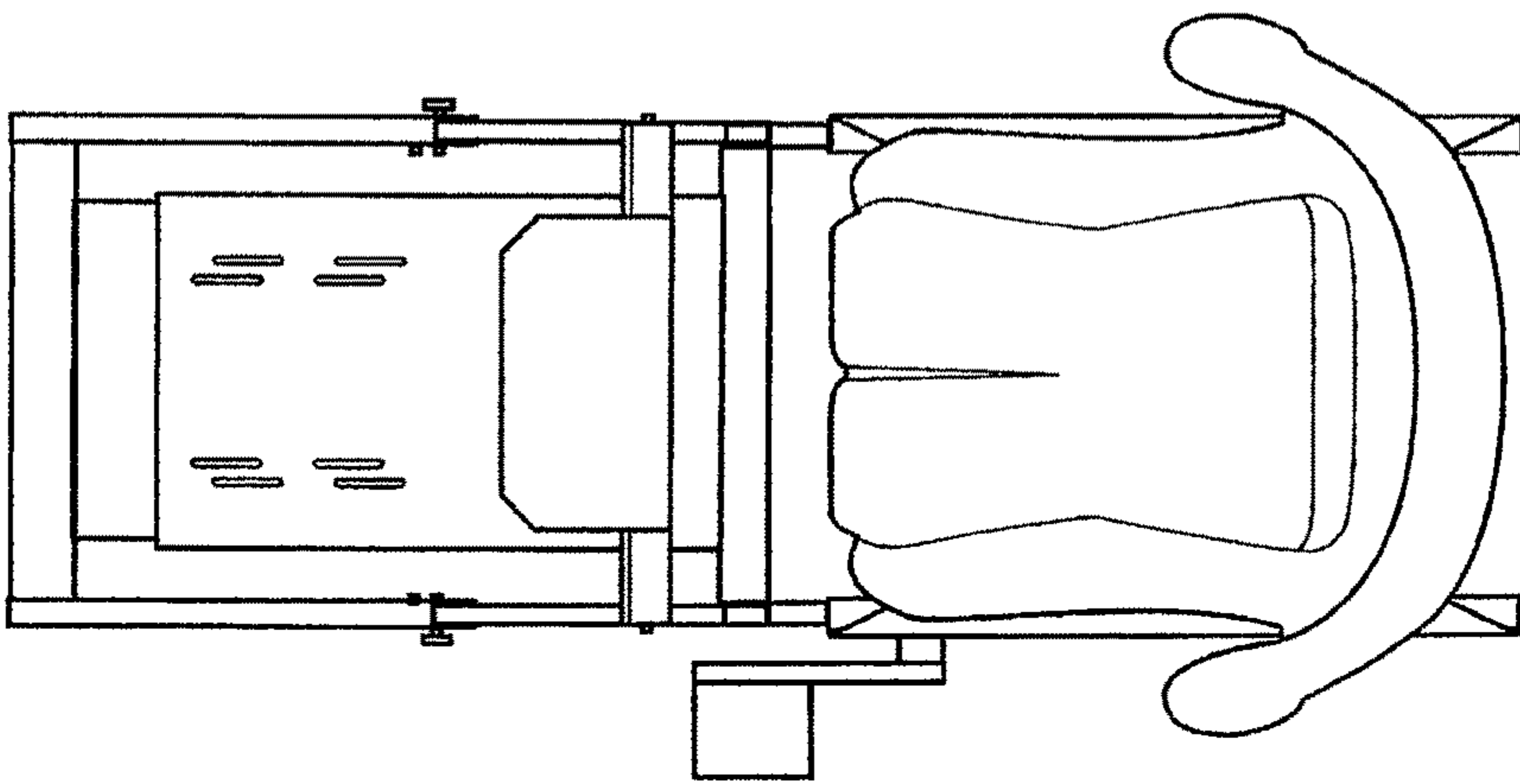


FIG 4

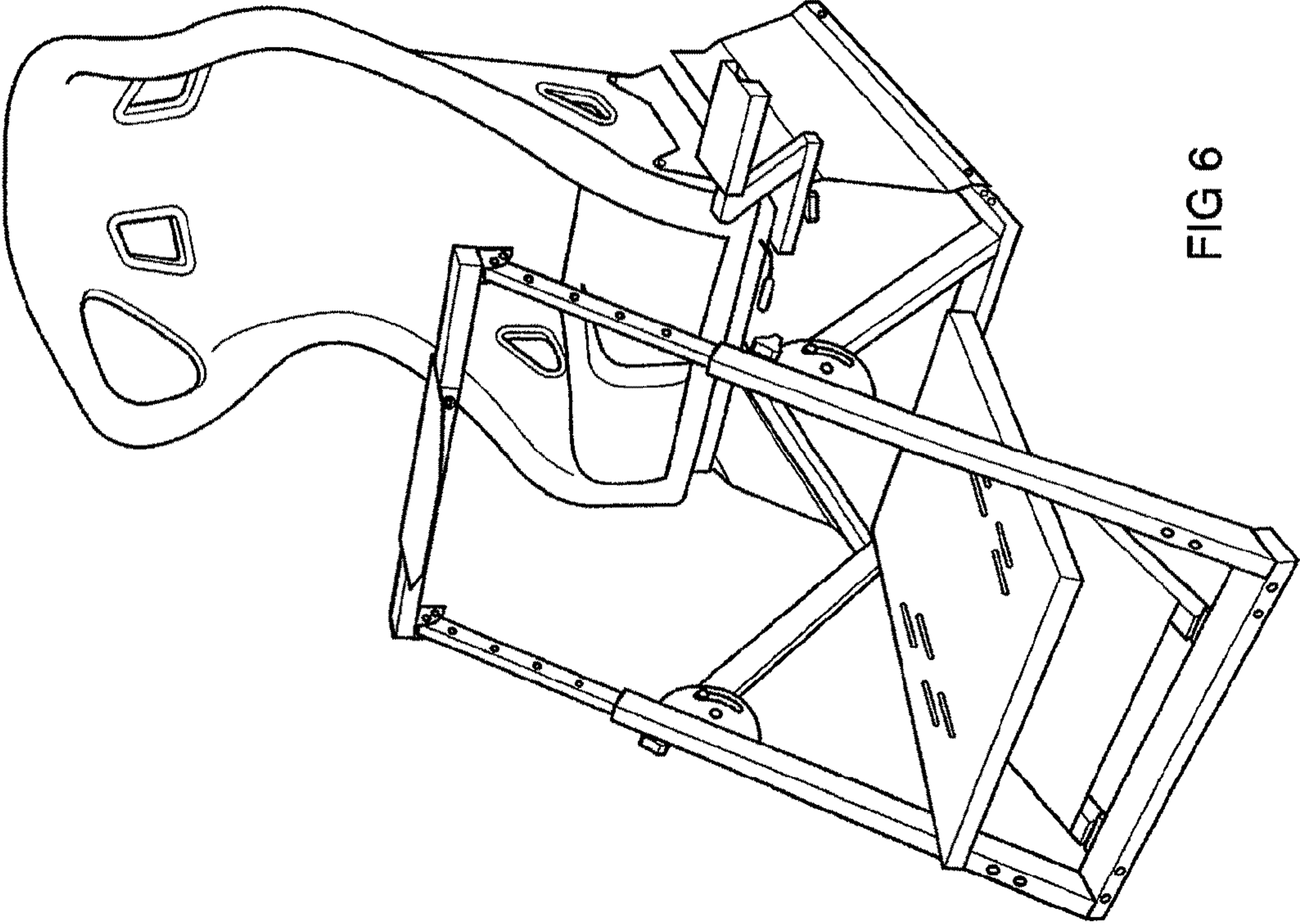


FIG 6