



US00D701914S

(12) **United States Design Patent**  
**Patzer et al.**

(10) **Patent No.:** **US D701,914 S**

(45) **Date of Patent:** **\*\* Apr. 1, 2014**

(54) **INDICATOR**

(75) Inventors: **Charles R. Patzer**, Columbus, OH (US);  
**James L. Kennedy**, Columbus, OH  
(US); **Ellen M. Brown**, Columbus, OH  
(US)

(73) Assignee: **Next Future, LLC**, Dublin, OH (US)

(\*\*) Term: **14 Years**

(21) Appl. No.: **29/429,309**

(22) Filed: **Aug. 9, 2012**

(51) **LOC (10) Cl.** ..... **20-02**

(52) **U.S. Cl.**  
USPC ..... **D20/18**

(58) **Field of Classification Search**  
USPC ..... D20/10, 15, 17-19, 22, 42, 43, 99;  
40/299.01, 446, 448, 488, 490, 491,  
40/538-541, 584, 594, 600, 611.01,  
40/611.07, 617, 618, 661.11; D10/109.1,  
D10/109.2, 113.4; D6/672; 116/200  
See application file for complete search history.

(56) **References Cited**

**U.S. PATENT DOCUMENTS**

D9,767 S *	2/1877	Norton	.....	D9/782
1,863,633 A *	6/1932	Melind	.....	40/661.11
3,199,238 A *	8/1965	Brown	.....	40/488
4,663,872 A *	5/1987	Finger	.....	40/488
D293,984 S *	2/1988	Finger	.....	D6/431
4,731,945 A *	3/1988	Howard	.....	40/491
D331,472 S *	12/1992	Campbell	.....	D26/31
D338,042 S *	8/1993	Giammanco	.....	D20/10

D351,422 S *	10/1994	Morris	.....	D20/10
D412,015 S *	7/1999	Greenfield	.....	D20/17
D470,534 S *	2/2003	Letherer et al.	.....	D20/15

\* cited by examiner

*Primary Examiner* — Mary Ann Calabrese

(74) *Attorney, Agent, or Firm* — Hahn, Loeser & Parks LLP;  
Rex W. Miller, II

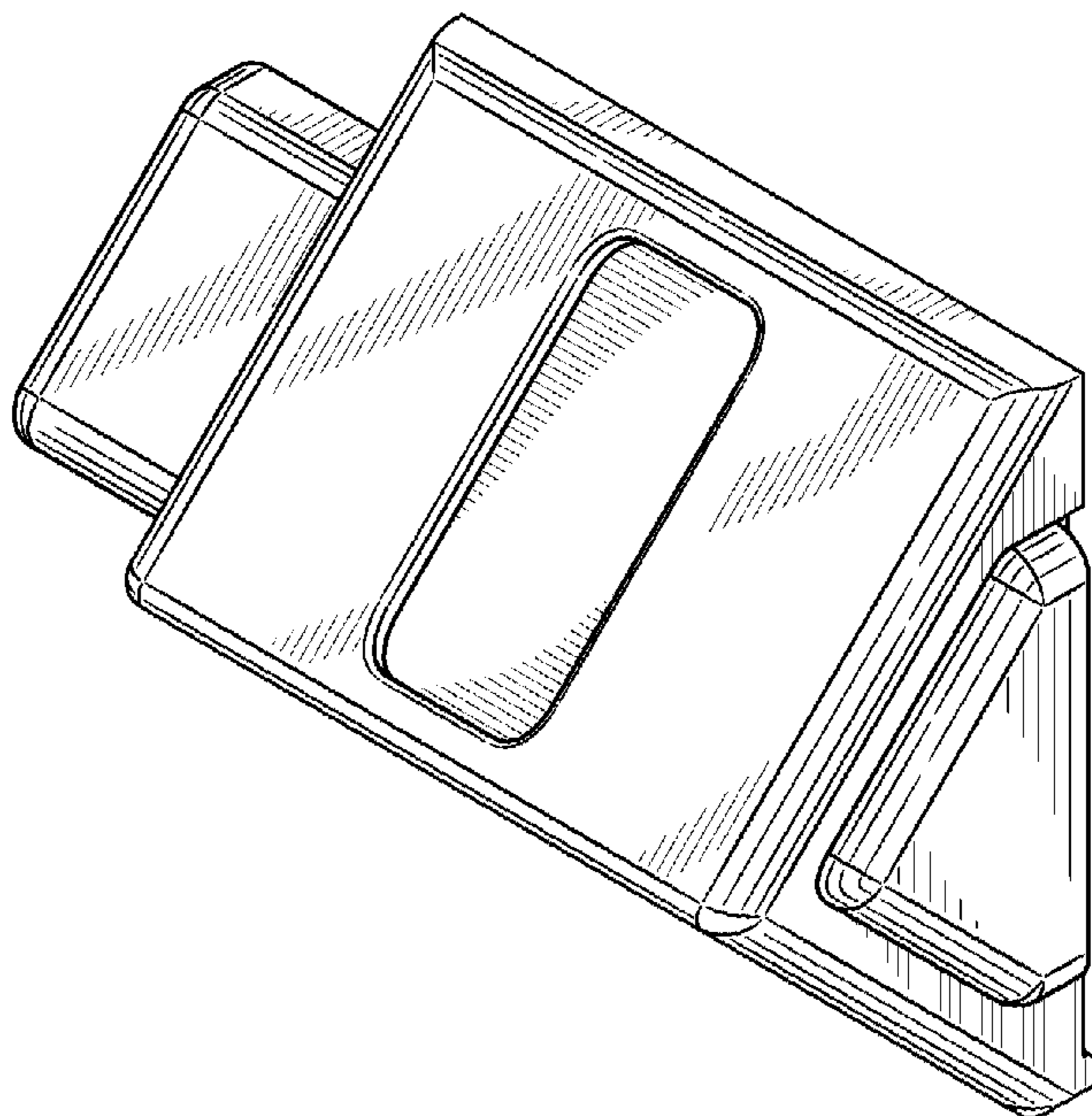
(57) **CLAIM**

The ornamental design for an indicator, as shown and described.

**DESCRIPTION**

FIG. 1 is a front, isometric view of a first embodiment of our new, original, and ornamental design;  
FIG. 2 is a front view thereof;  
FIG. 3 is a right view thereof;  
FIG. 4 is a rear view thereof;  
FIG. 5 is a cross-sectional view taken along line 5-5 of FIG. 4;  
FIG. 6 is a left view thereof;  
FIG. 7 is a top view thereof; and  
FIG. 8 is a bottom view thereof;  
FIG. 9 is a front, isometric view of a second embodiment of our new, original, and ornamental design;  
FIG. 10 is a front view of the embodiment of FIG. 9;  
FIG. 11 is a right view of the embodiment of FIG. 9;  
FIG. 12 is a rear view of the embodiment of FIG. 9;  
FIG. 13 is a cross-sectional view taken along line 13-13 of FIG. 12;  
FIG. 14 is a left view of the embodiment of FIG. 9;  
FIG. 15 is a top view of the embodiment of FIG. 9; and  
FIG. 16 is a bottom view of the embodiment of FIG. 9.

**1 Claim, 8 Drawing Sheets**



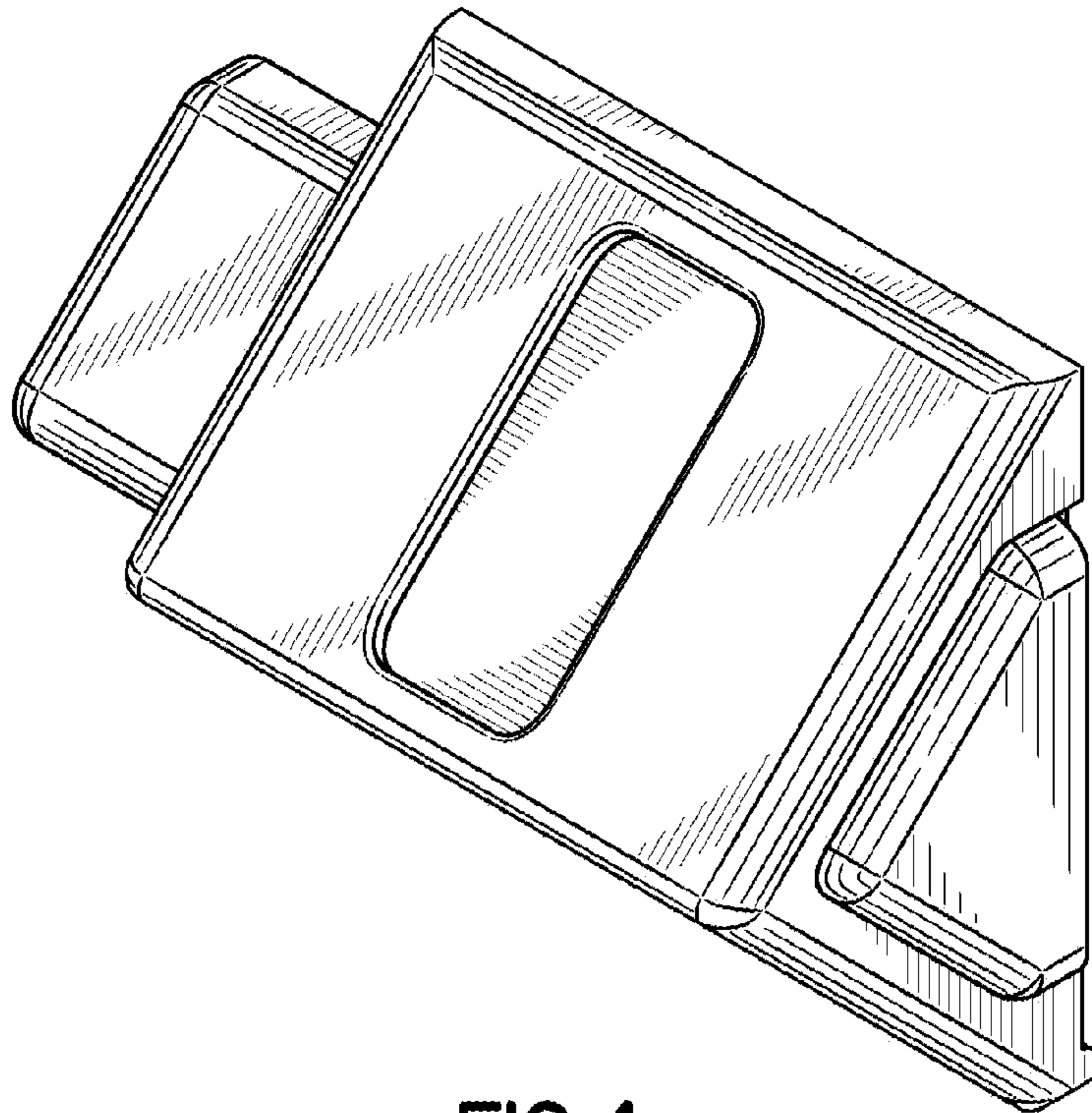


FIG. 1

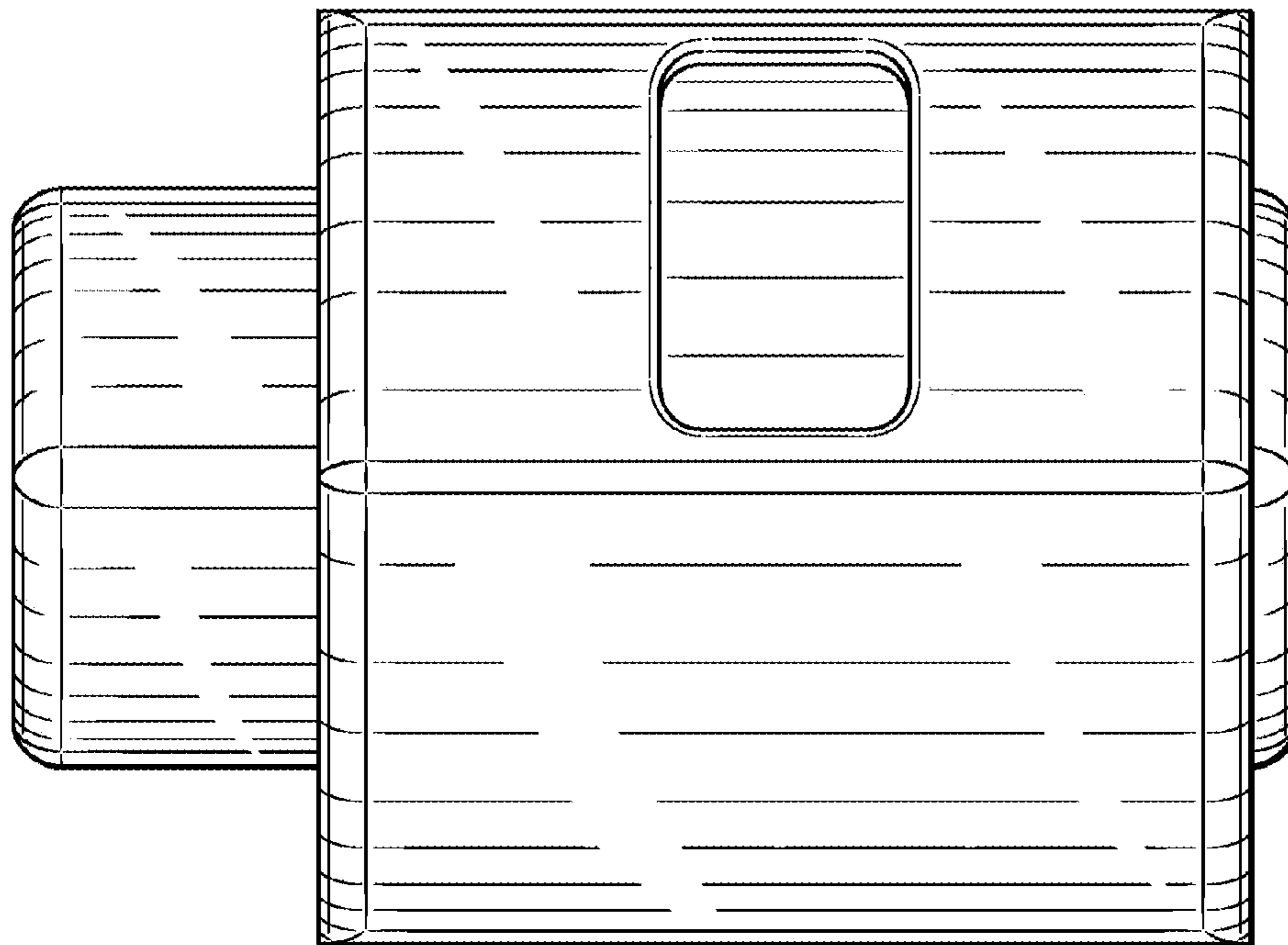


FIG. 2

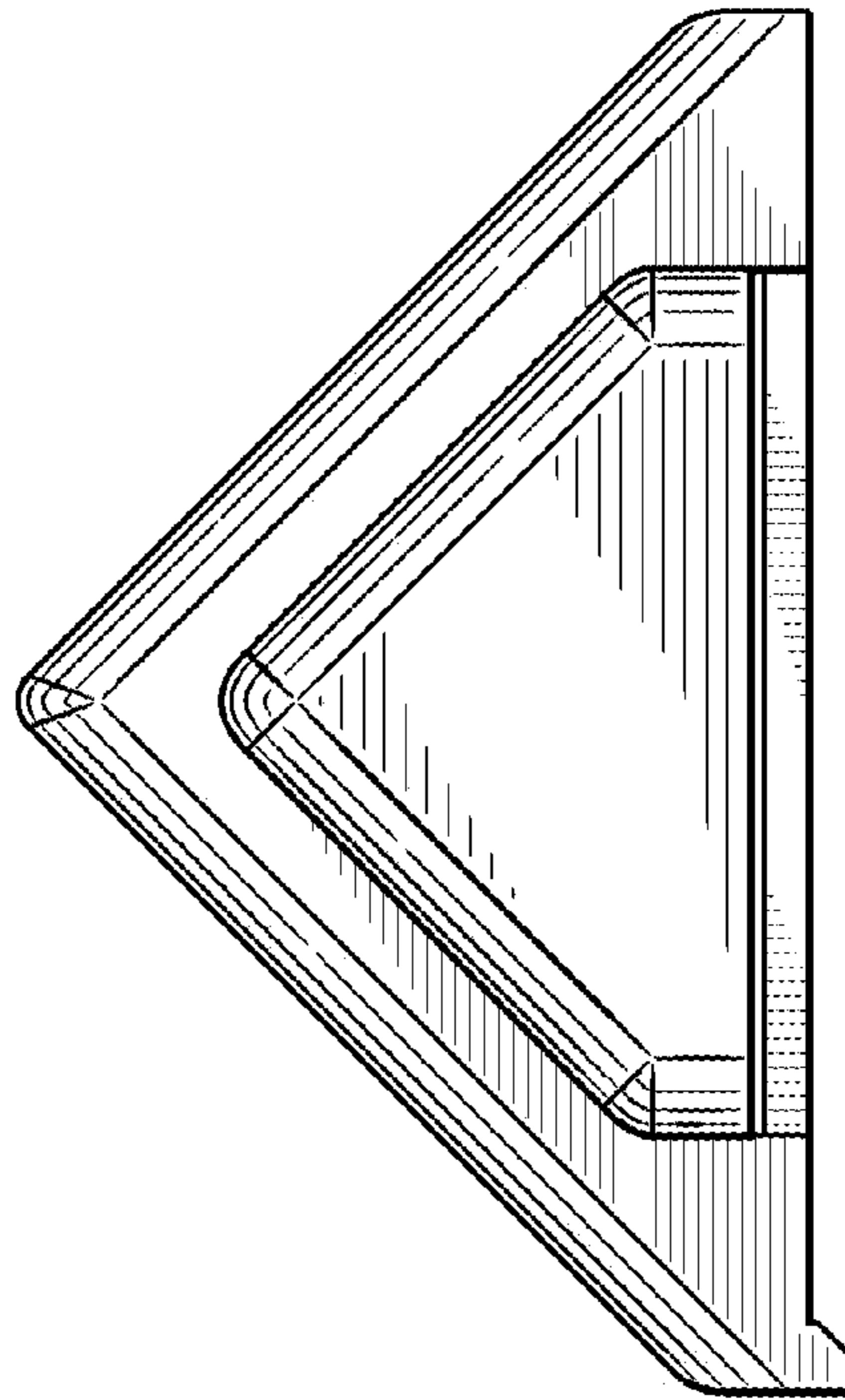


FIG. 3

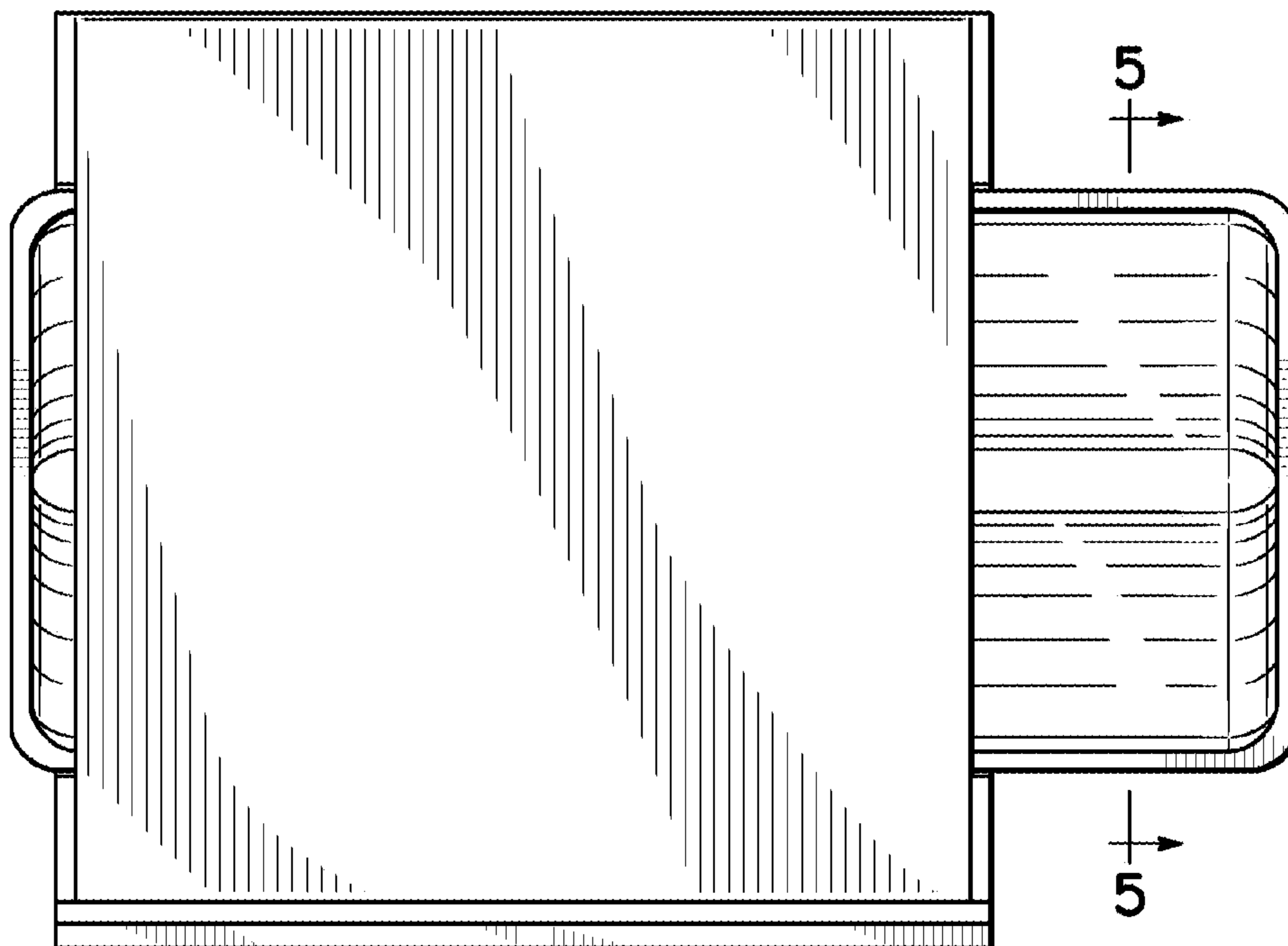


FIG. 4

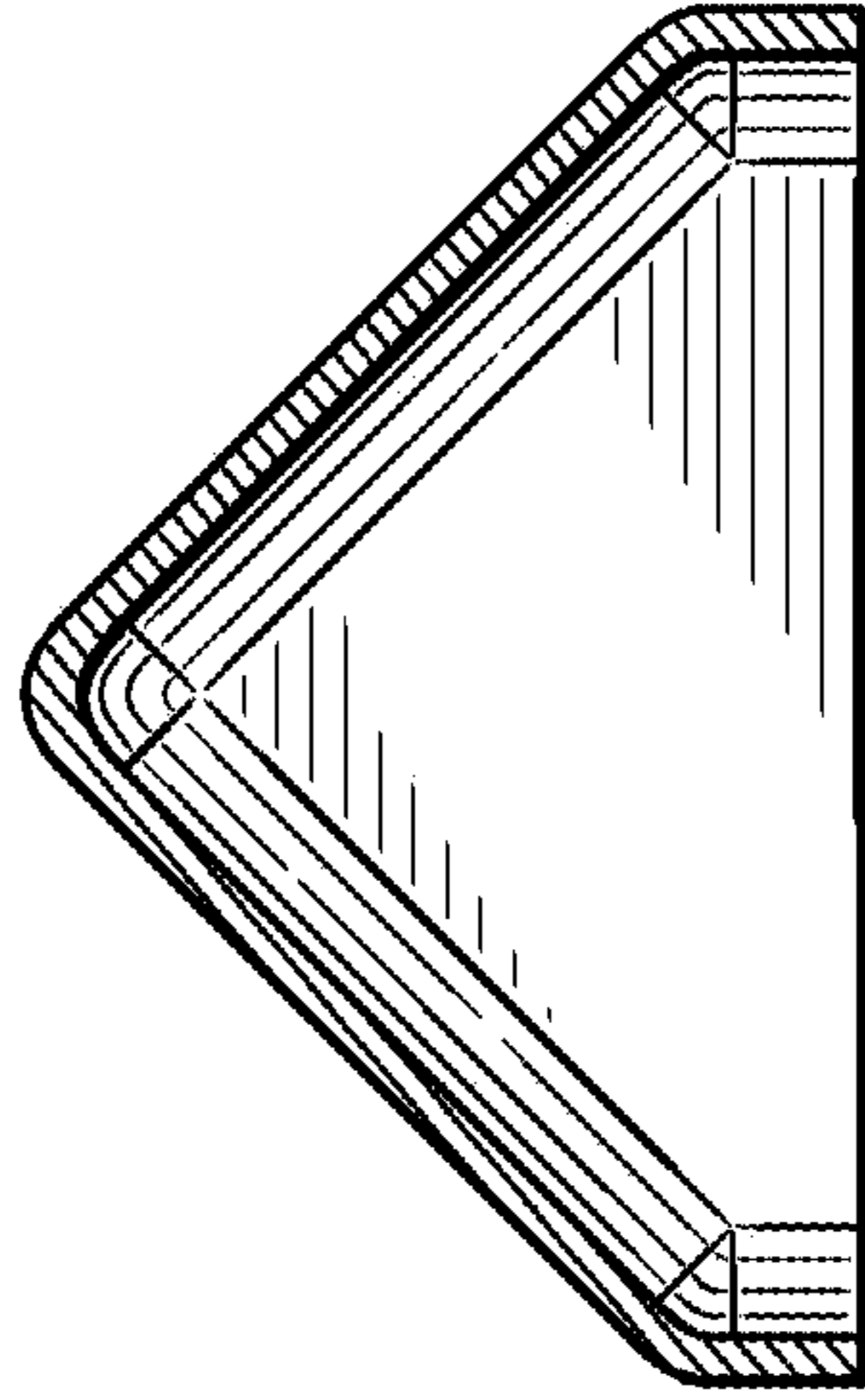


FIG. 5

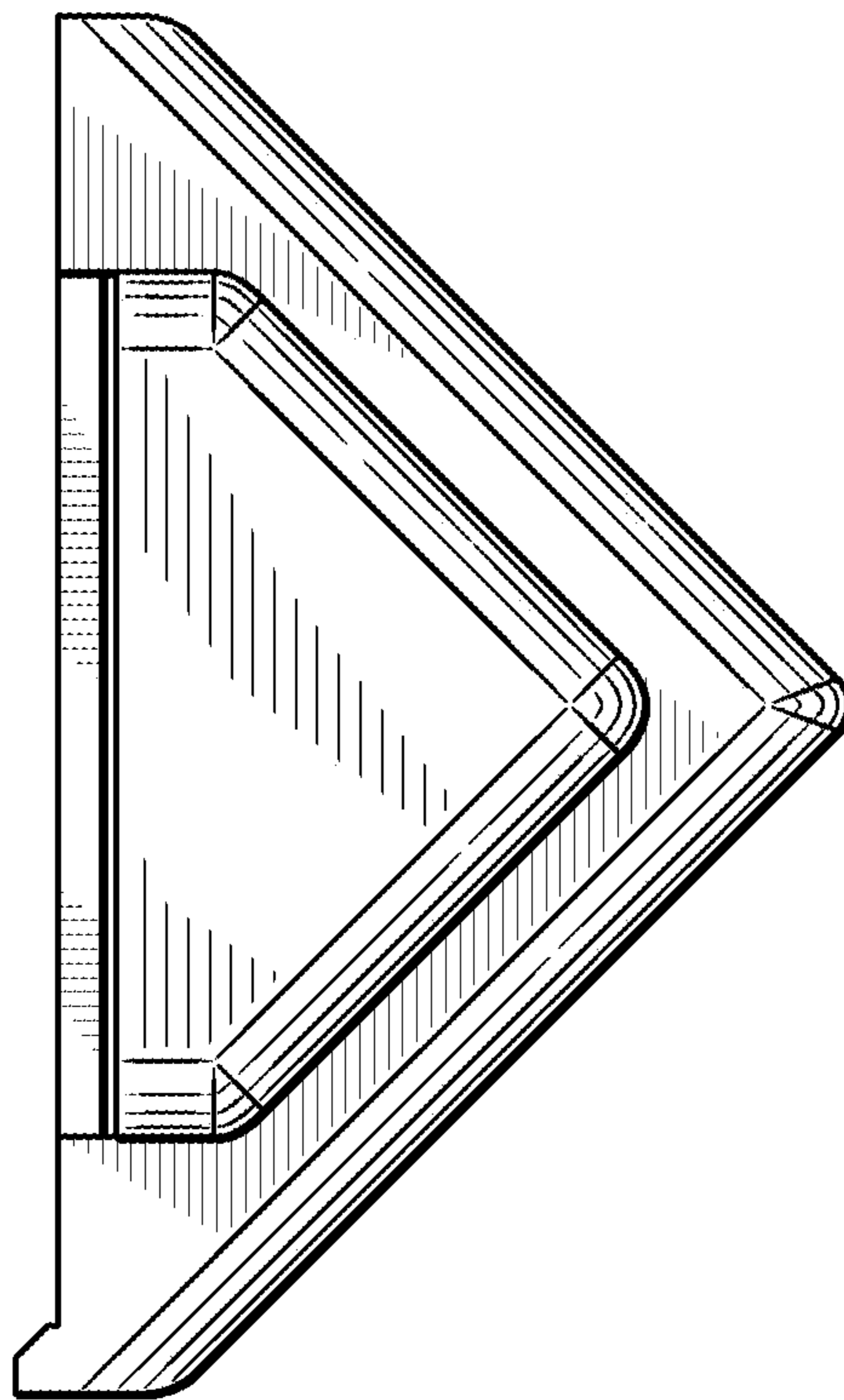


FIG. 6



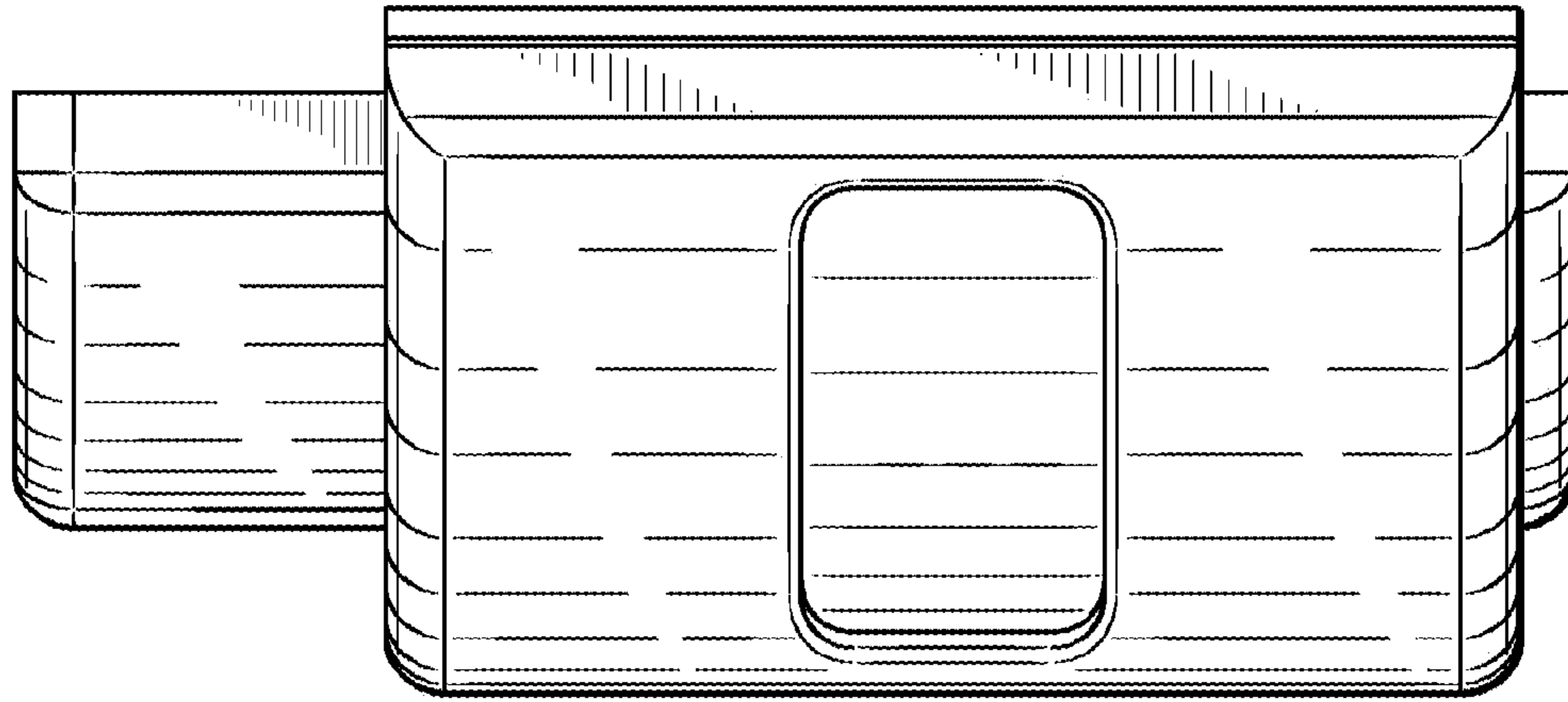


FIG. 7

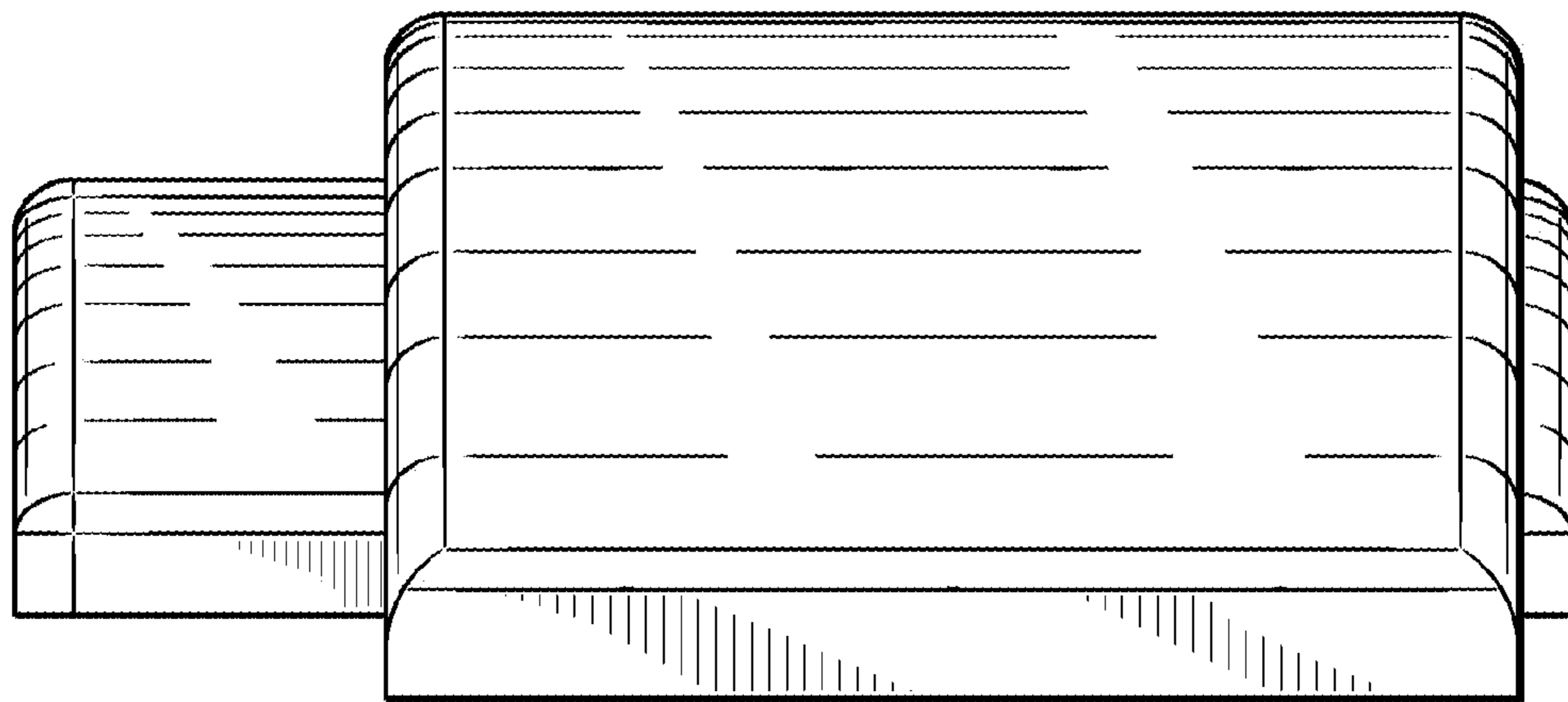


FIG. 8

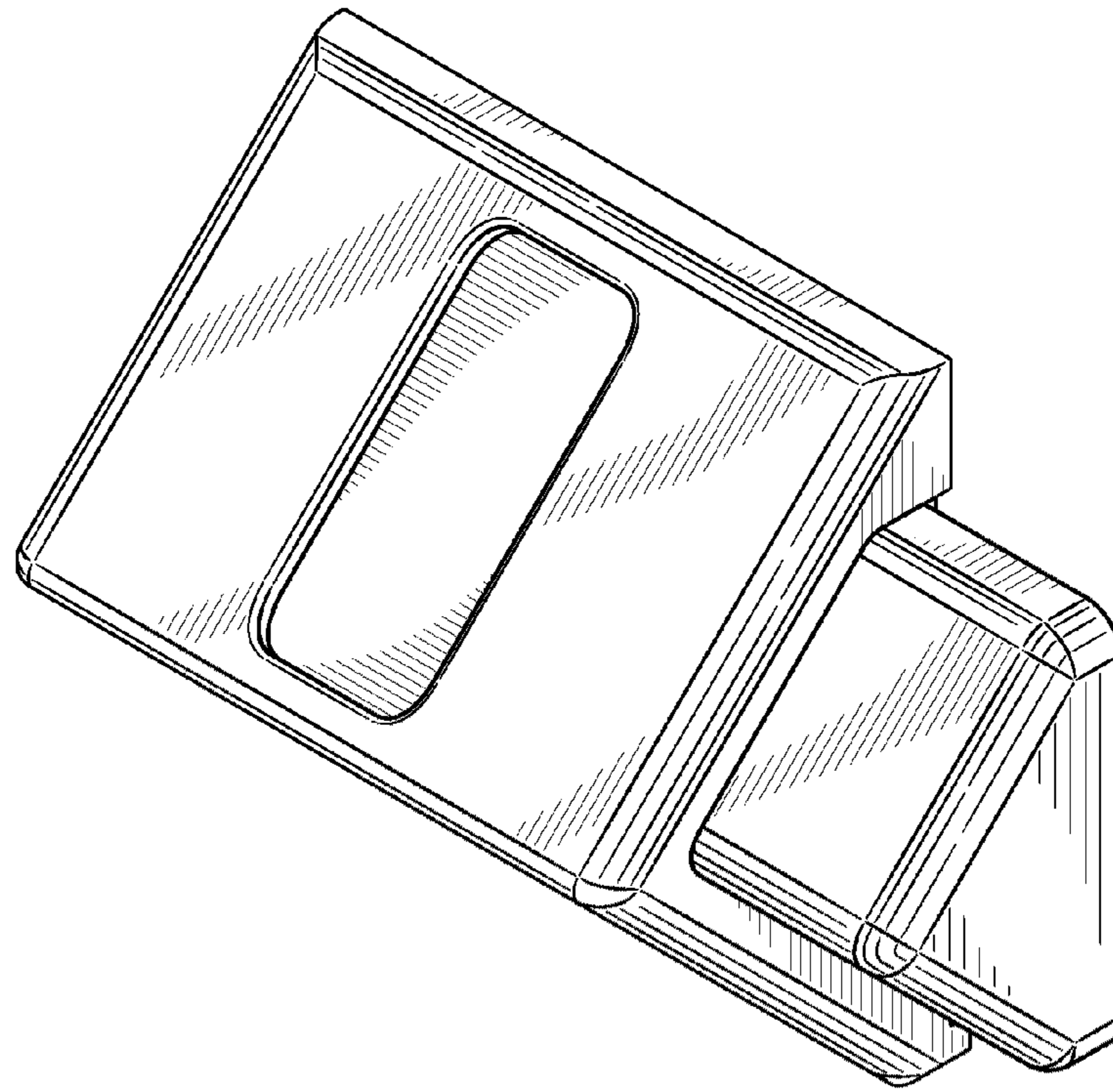


FIG. 9

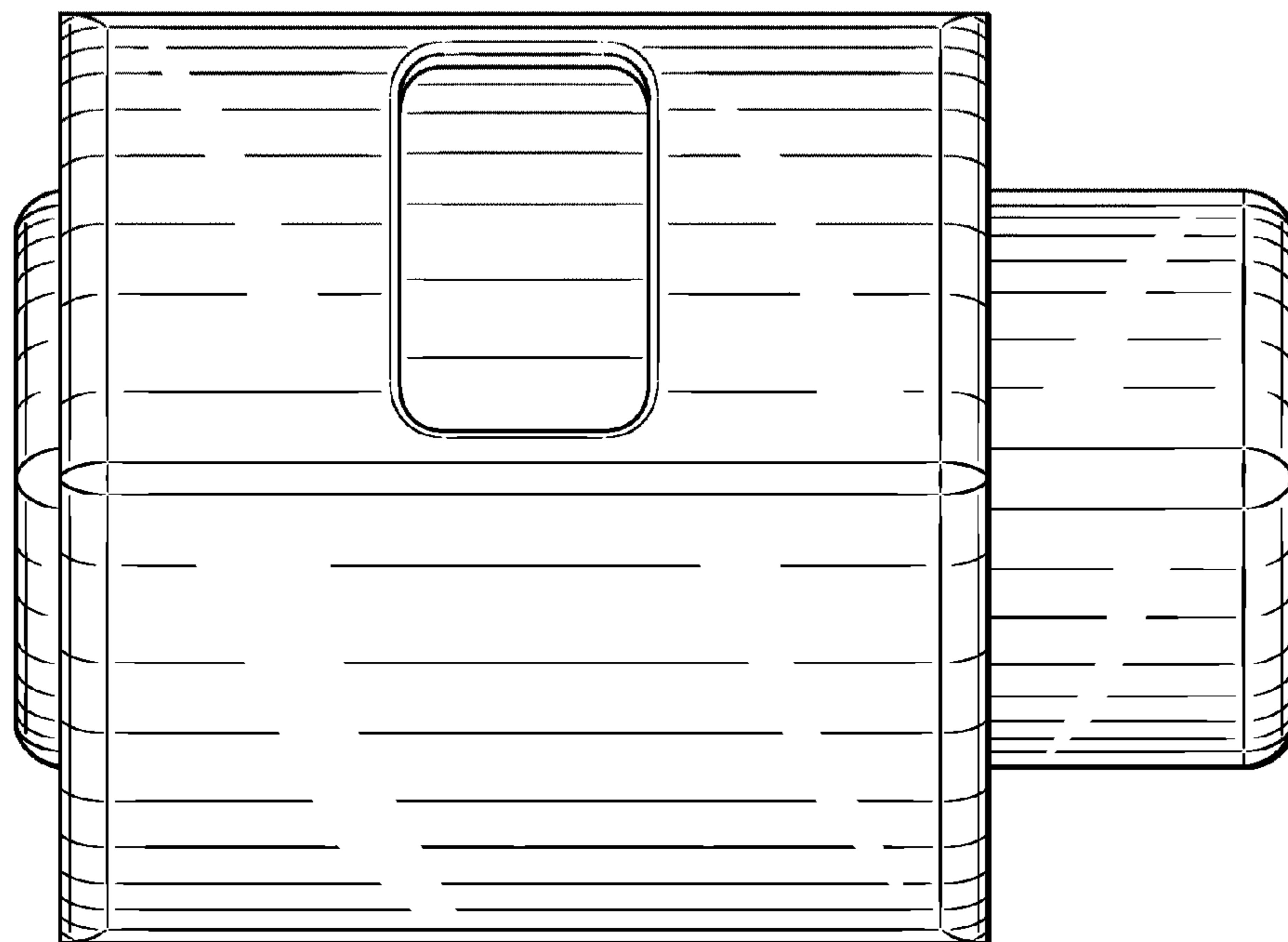


FIG. 10

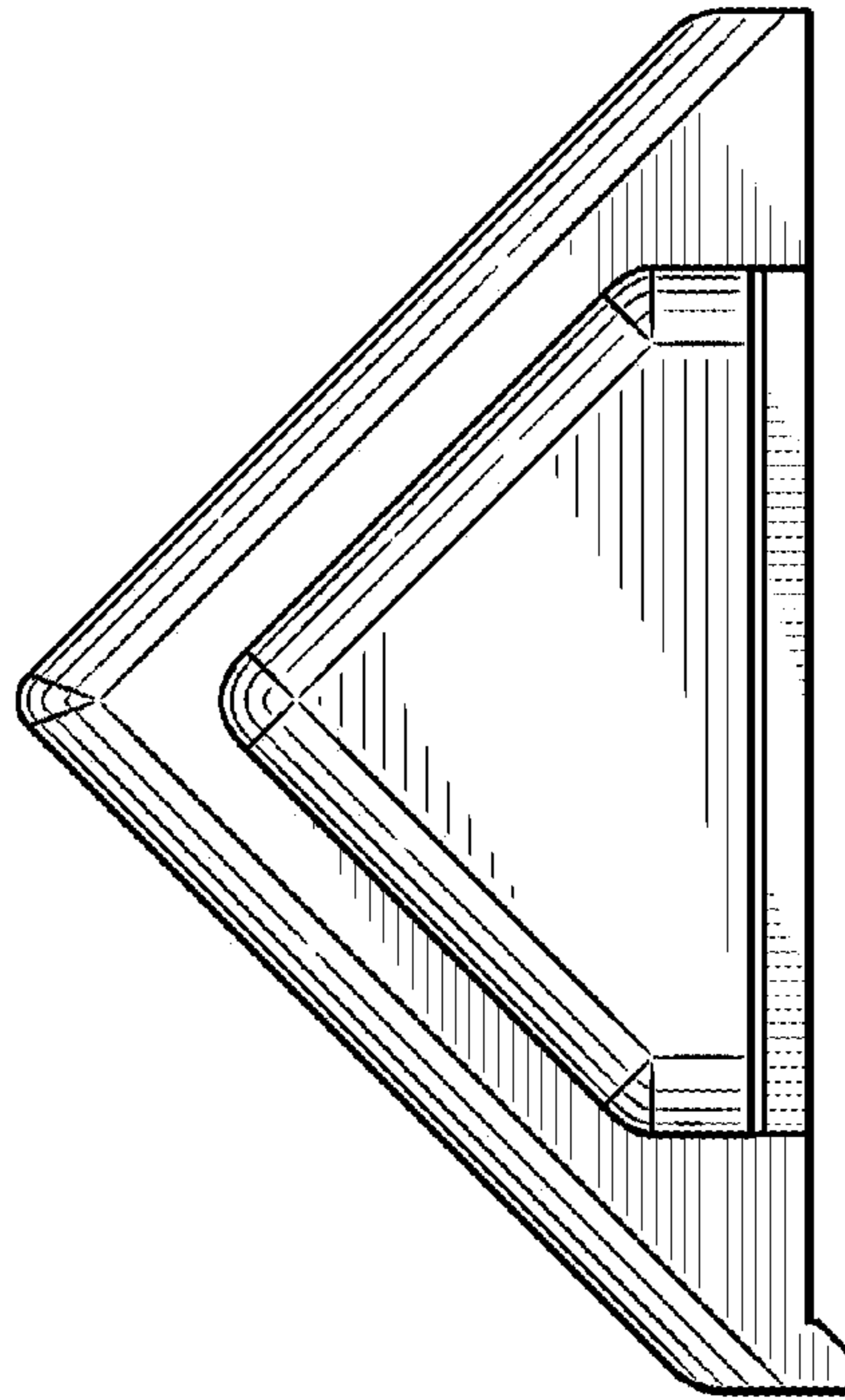


FIG. 11

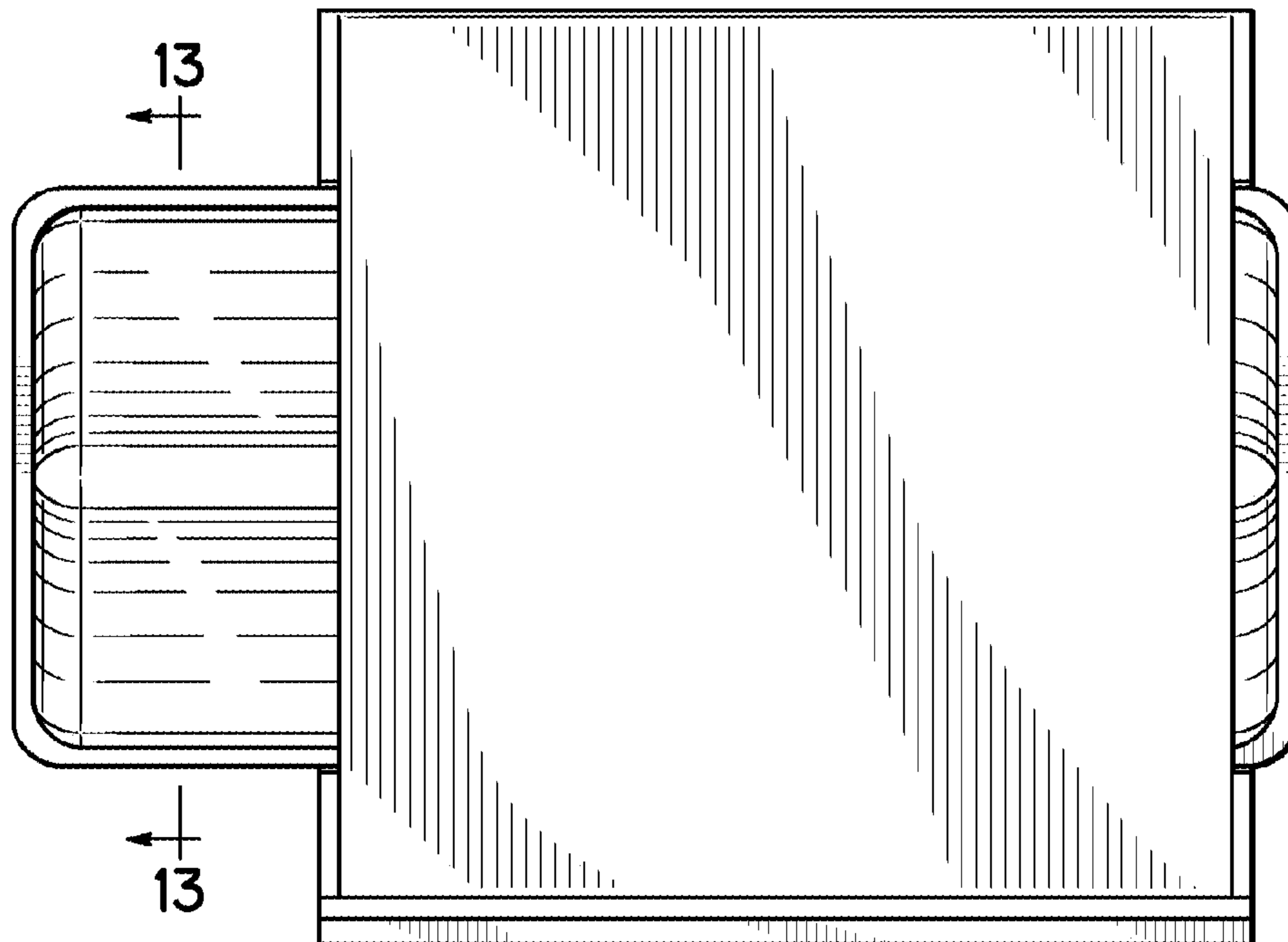


FIG. 12

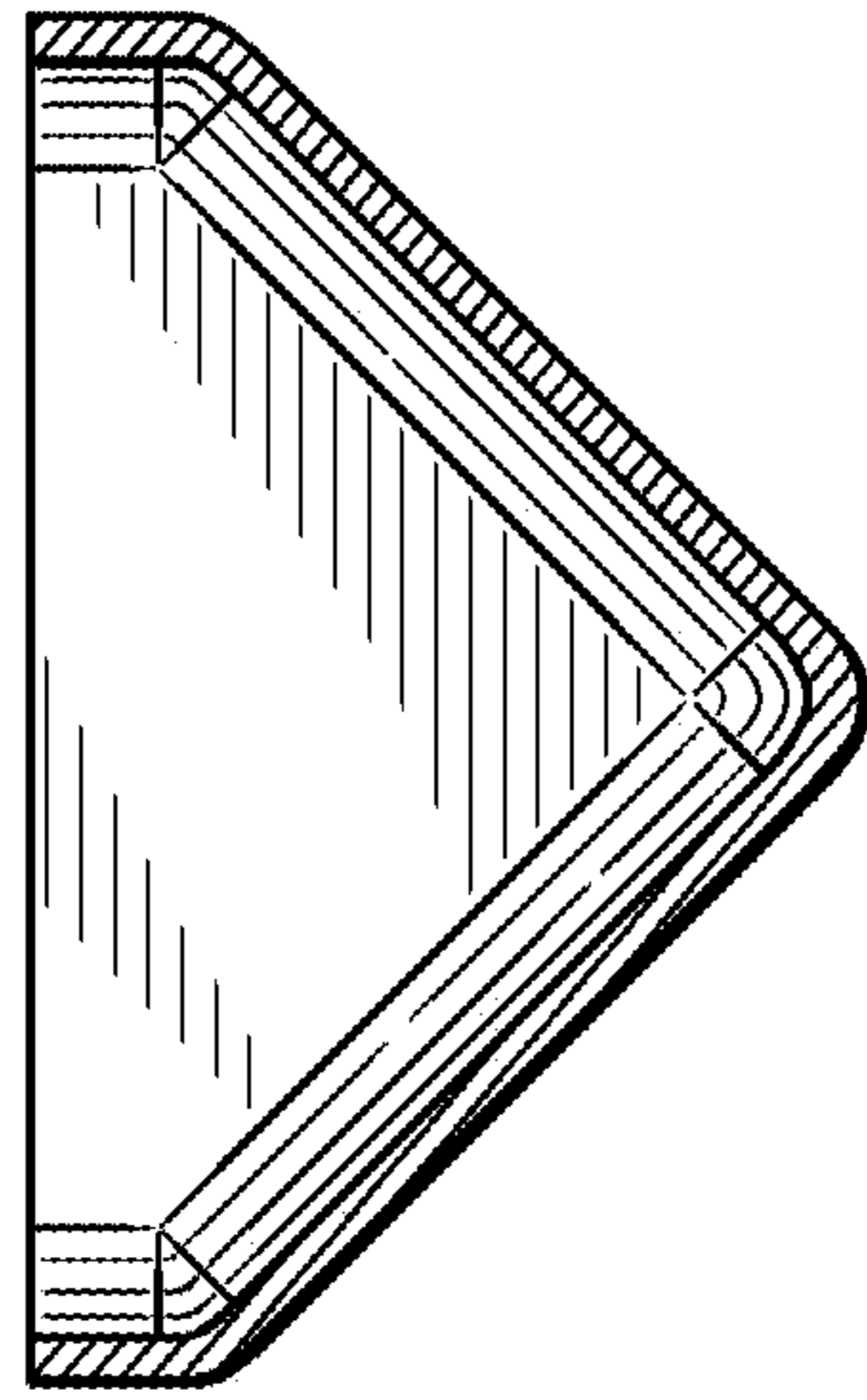


FIG. 13

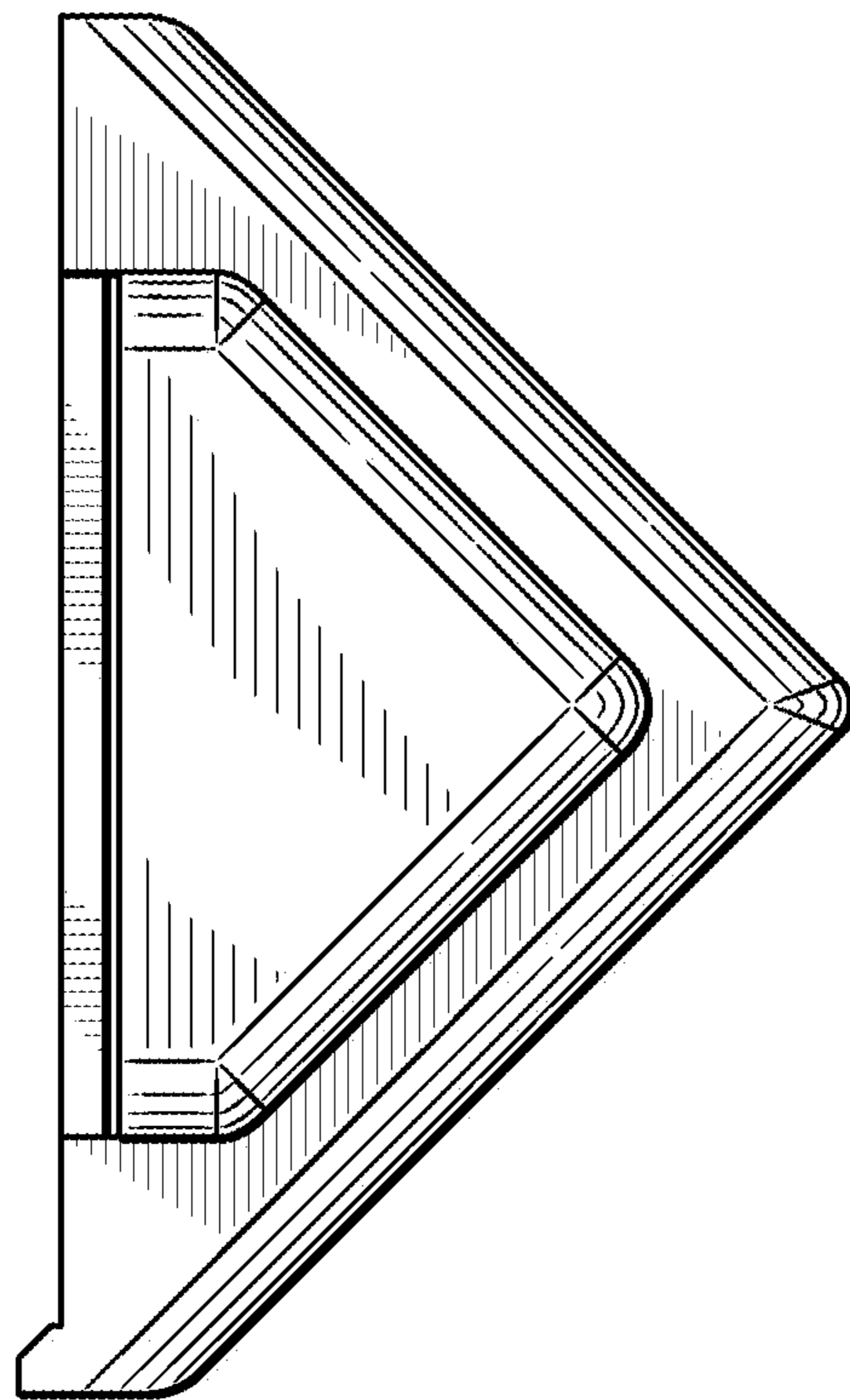


FIG. 14



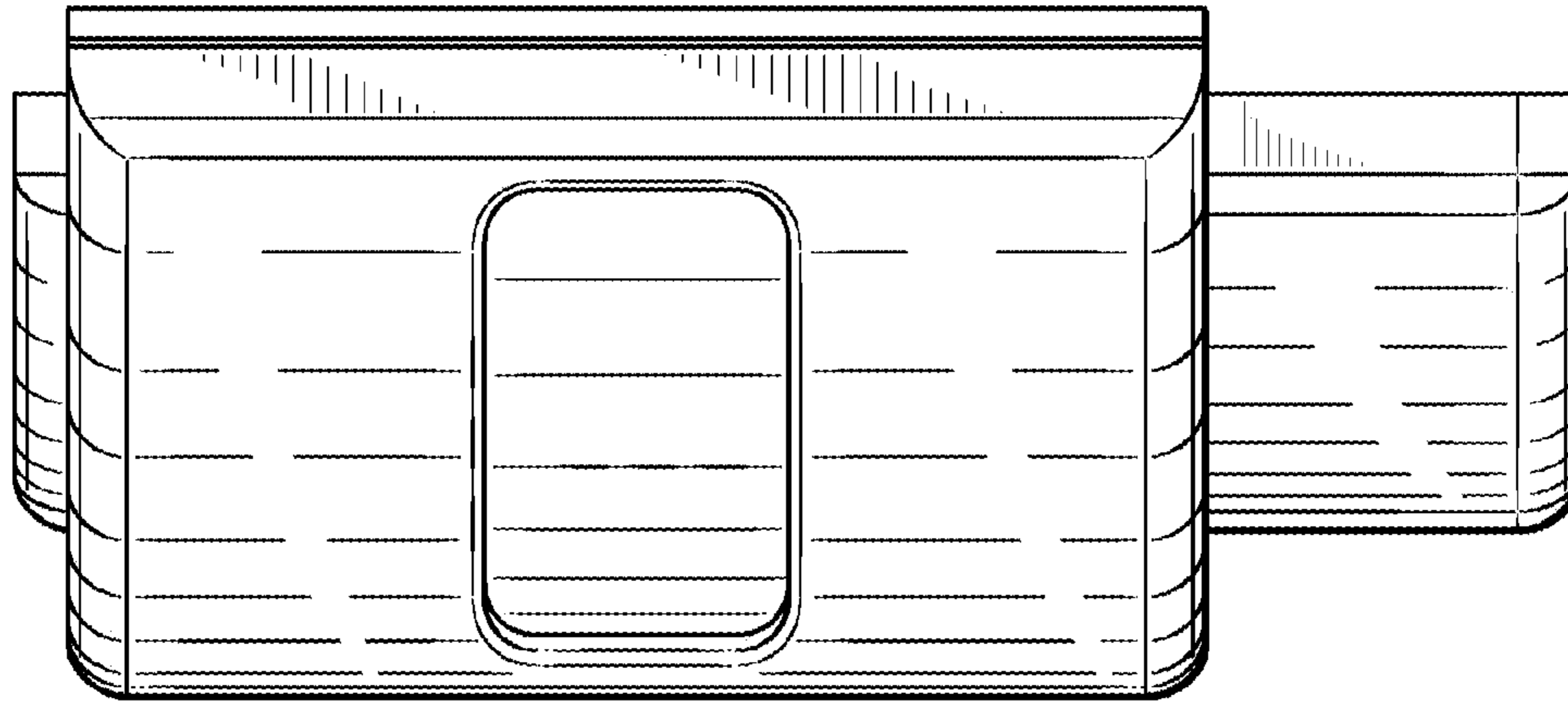


FIG. 15

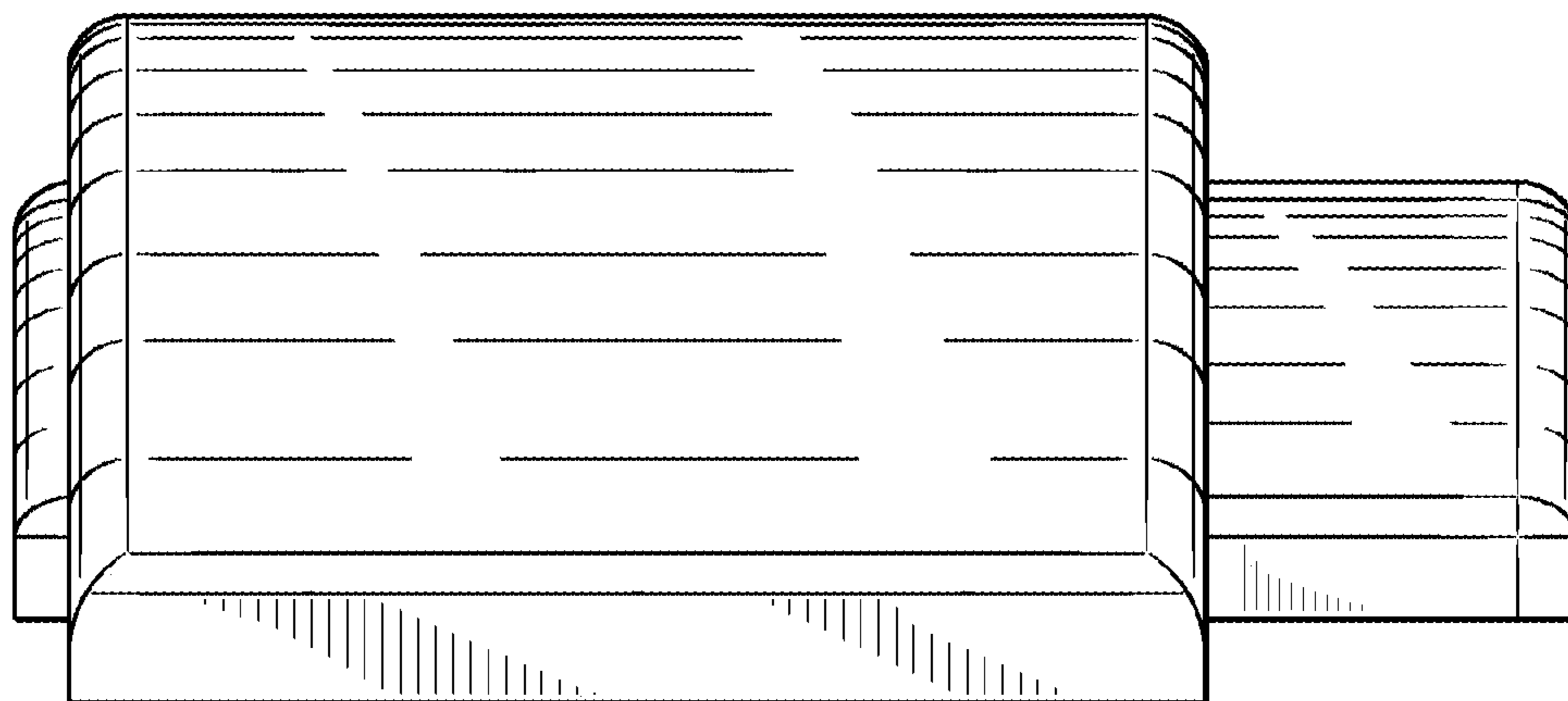


FIG. 16