



US00D701913S

(12) **United States Design Patent**  
**Li**

(10) **Patent No.:** **US D701,913 S**  
(45) **Date of Patent:** **\*\* Apr. 1, 2014**

(54) **PEN**  
(71) Applicant: **Beifa Group Co., Ltd.**, Zhejiang (CN)  
(72) Inventor: **Bin Li**, Ningbo (CN)  
(73) Assignee: **Beifa Group Co., Ltd.**, Ningbo (CN)  
(\*\*) Term: **14 Years**

D453,187 S 1/2002 Keda  
D457,563 S 5/2002 Moon  
D463,822 S 10/2002 Keda  
D475,405 S 6/2003 Cetera  
D495,002 S 8/2004 Sung  
D496,962 S 10/2004 Bonnamour  
D497,643 S 10/2004 Nishida

(Continued)

(21) Appl. No.: **29/438,461**  
(22) Filed: **Nov. 29, 2012**

FOREIGN PATENT DOCUMENTS

DM 047802 7/1999  
EM 000231303-0002 A1 12/2004

(Continued)

(30) **Foreign Application Priority Data**

May 29, 2012 (CN) ..... 2012 3 0205496

(51) **LOC (10) Cl.** ..... **19-06**

(52) **U.S. Cl.**  
USPC ..... **D19/173**; D19/916; D19/918

(58) **Field of Classification Search**  
USPC ..... D14/411; D19/35, 36, 41-51, 53-58;  
24/11 F, 11 R, 11 P; 402/52, 99-109,  
402/192, 195, 196  
See application file for complete search history.

OTHER PUBLICATIONS

Li, B., "Pen," U.S. Appl. No. 29/426,208, filed Jul. 2, 2012.

(Continued)

*Primary Examiner* — Elizabeth Albert  
(74) *Attorney, Agent, or Firm* — Christensen O'Connor Johnson Kindness PLLC

(57) **CLAIM**  
The ornamental design for a pen, as shown and described.

(56) **References Cited**

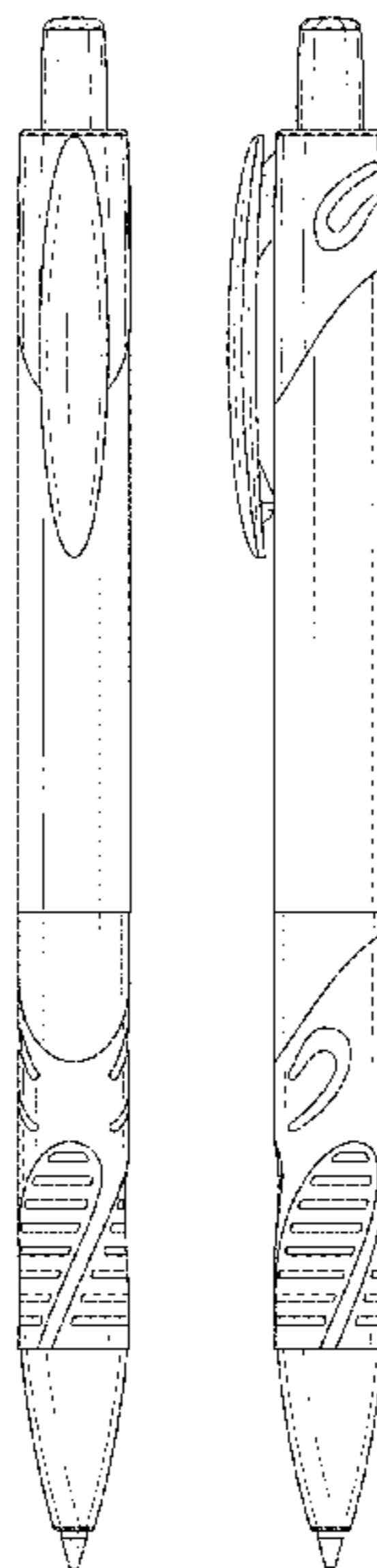
U.S. PATENT DOCUMENTS

D355,673 S 2/1995 Takahashi  
D366,498 S 1/1996 Abe  
D366,669 S 1/1996 McCartney  
D378,601 S 3/1997 Sakuno  
D382,016 S 8/1997 Takahashi  
D394,455 S 5/1998 Izushima  
D400,922 S 11/1998 Sakuno  
D402,693 S 12/1998 Sunaga  
D402,695 S 12/1998 Izushima  
D408,057 S 4/1999 Izushima  
D410,030 S 5/1999 Sunaga  
D413,927 S 9/1999 Izushima  
D423,577 S 4/2000 Baudino

**DESCRIPTION**

FIG. 1 is an upper front right perspective view of a pen showing my new design;  
FIG. 2 is a front elevation view thereof;  
FIG. 3 is a rear elevation view thereof;  
FIG. 4 is a right side elevation view thereof, with the left side elevation view being a mirror image of the right side elevation view;  
FIG. 5 is an enlarged top plan view thereof; and,  
FIG. 6 is an enlarged bottom plan view thereof.  
The broken lines shown in FIGS. 1 and 5 illustrate environmental subject matter and form no part of the claimed design.

**1 Claim, 3 Drawing Sheets**



(56)

**References Cited**

U.S. PATENT DOCUMENTS

D506,499 S \* 6/2005 Qiu ..... D19/36  
 D506,505 S 6/2005 Qiu  
 D506,602 S 6/2005 Ardissono  
 D508,717 S 8/2005 Anand  
 D509,853 S 9/2005 Anand  
 D525,302 S 7/2006 Togawa  
 D542,843 S 5/2007 Qiu  
 D546,882 S 7/2007 Qiu  
 D553,681 S 10/2007 Cetera  
 D558,268 S 12/2007 Siegel  
 D559,315 S 1/2008 Qiu  
 D559,909 S 1/2008 Qiu  
 D562,392 S \* 2/2008 Qiu et al. .... D19/50  
 D562,895 S 2/2008 Shibata  
 D569,435 S 5/2008 Cetera  
 D589,557 S 3/2009 Kusch  
 D595,353 S \* 6/2009 Li ..... D19/48  
 D601,197 S 9/2009 Zhang  
 D603,899 S 11/2009 Suero, Jr.  
 D604,362 S 11/2009 Suero, Jr.  
 D609,744 S 2/2010 Rathod  
 D631,913 S 2/2011 Li

D646,715 S \* 10/2011 Kim ..... D19/50  
 D648,387 S \* 11/2011 Liang ..... D19/50  
 D651,240 S 12/2011 Liang  
 D663,773 S 7/2012 Casciotti  
 D664,594 S 7/2012 Casciotti  
 D666,672 S 9/2012 Zhang  
 D672,812 S 12/2012 Zhang  
 D672,813 S 12/2012 Zhang  
 D683,400 S \* 5/2013 Xie ..... D19/48  
 D689,935 S \* 9/2013 Li ..... D19/48

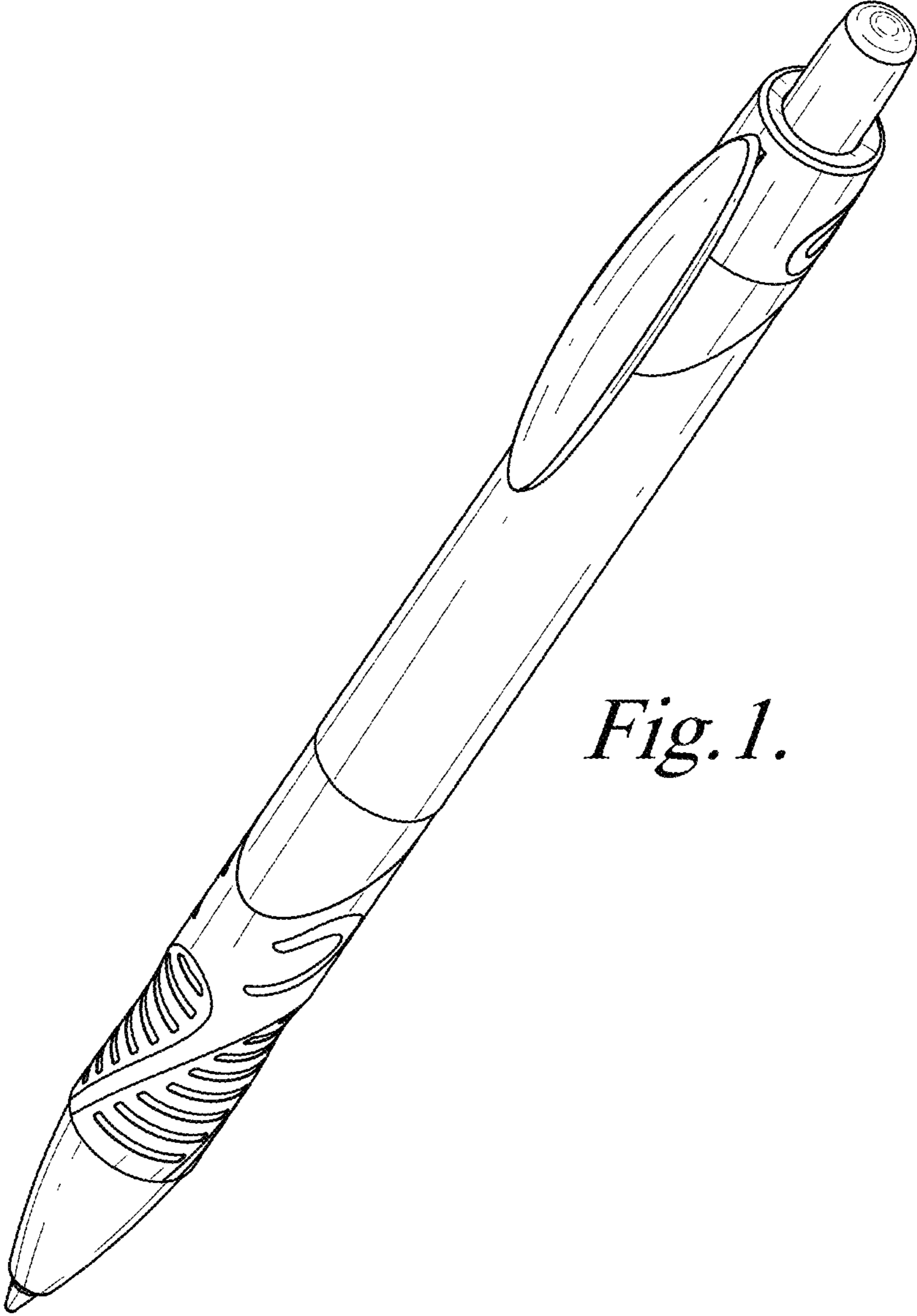
FOREIGN PATENT DOCUMENTS

EM 000559851-0002 A1 10/2006  
 EM 000621065-0002 A1 12/2006  
 EM 000728506-0001 A1 7/2007  
 EM 000784665-0003 A1 9/2007  
 EM 000903844-0001 A1 4/2008  
 EM 000903844-0008 A1 4/2008  
 EM 000992573-0002 A1 10/2008

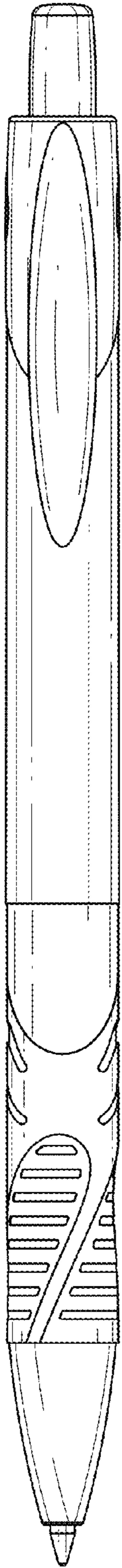
OTHER PUBLICATIONS

Li, B., "Pen," U.S. Appl. No. 29/438,459, filed Nov. 29, 2012.

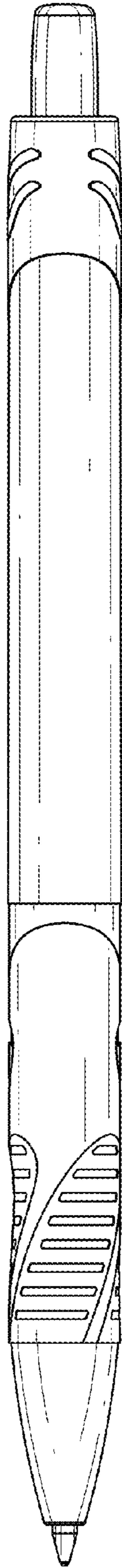
\* cited by examiner



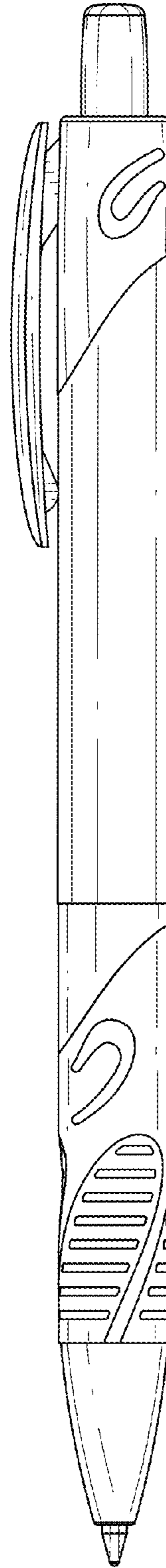
*Fig. 1.*



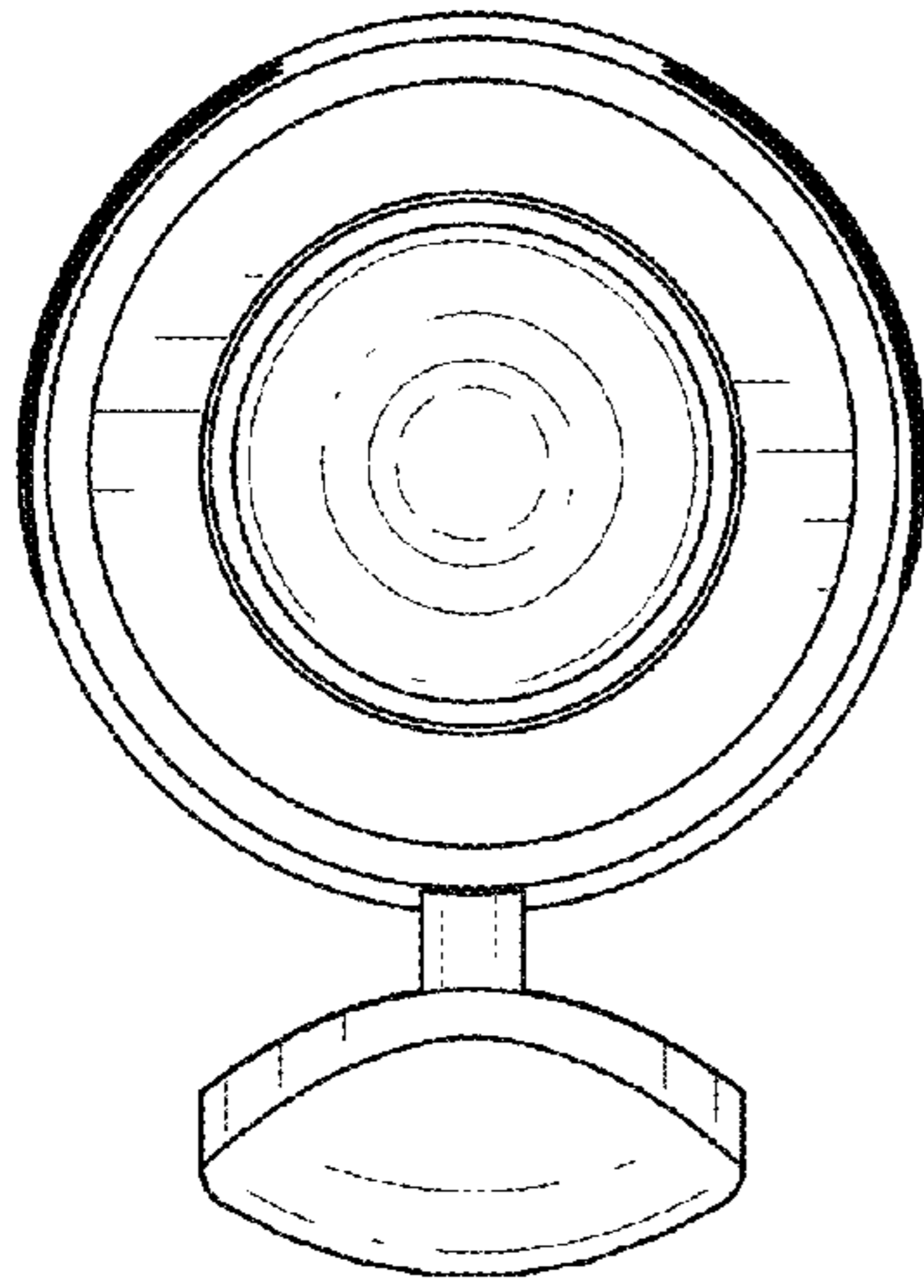
*Fig.2.*



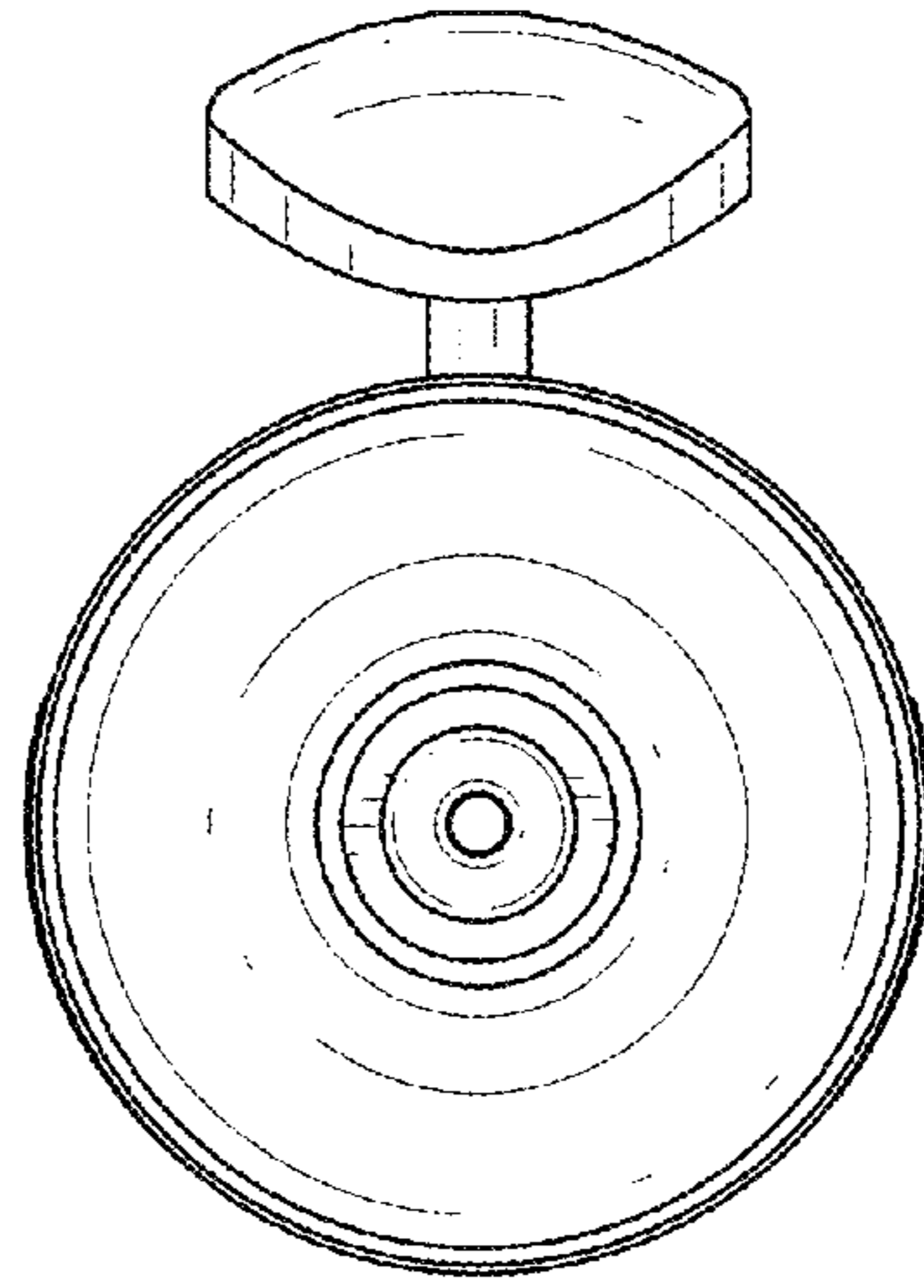
*Fig.3.*



*Fig.4.*



*Fig. 5.*



*Fig. 6.*