



US00D701912S

(12) **United States Design Patent**
Schofield

(10) **Patent No.:** **US D701,912 S**

(45) **Date of Patent:** **** Apr. 1, 2014**

(54) **MECHANICAL PENCIL WITH DETACHABLE SHARPENER**

D641,406 S * 7/2011 Zhang D19/48
D642,619 S * 8/2011 Kermoal D19/48
D664,196 S * 7/2012 Buchler D19/48

(76) Inventor: **Eric Schofield**, Kelseyville, CA (US)

* cited by examiner

(**) Term: **14 Years**

Primary Examiner — Elizabeth Albert

(21) Appl. No.: **29/406,985**

(74) *Attorney, Agent, or Firm* — QuickPatents; Kevin Prince

(22) Filed: **Nov. 21, 2011**

(51) **LOC (10) Cl.** **19-06**

(52) **U.S. Cl.**

USPC **D19/123**; D19/916

(58) **Field of Classification Search**

USPC D14/411; D19/35, 36, 41–51, 54–58,
D19/73; 24/11 F, 11 P, 11 R; 401/52, 99–109,
401/192, 195, 196; D28/7, 76, 88

See application file for complete search history.

(56) **References Cited**

U.S. PATENT DOCUMENTS

199,448	A *	1/1878	Keyes	30/458
1,068,367	A *	7/1913	Roeder	235/64
1,153,206	A *	9/1915	Eisenberg	446/180
2,108,911	A *	2/1938	Wetzel	401/40
2,657,670	A *	11/1953	Colburn	401/83
3,399,945	A *	9/1968	Gouget	401/50
D260,406	S *	8/1981	Itoh	D19/44
D363,739	S *	10/1995	Petrillo	D19/48
D391,153	S *	2/1998	Poisson et al.	D19/48
D402,314	S *	12/1998	Lidle et al.	D19/73
D413,926	S *	9/1999	Polidoro	D19/48
D500,792	S *	1/2005	Bain et al.	D19/48
7,229,038	B1 *	6/2007	Givonetti	241/95
D628,637	S *	12/2010	Xiao	D19/48

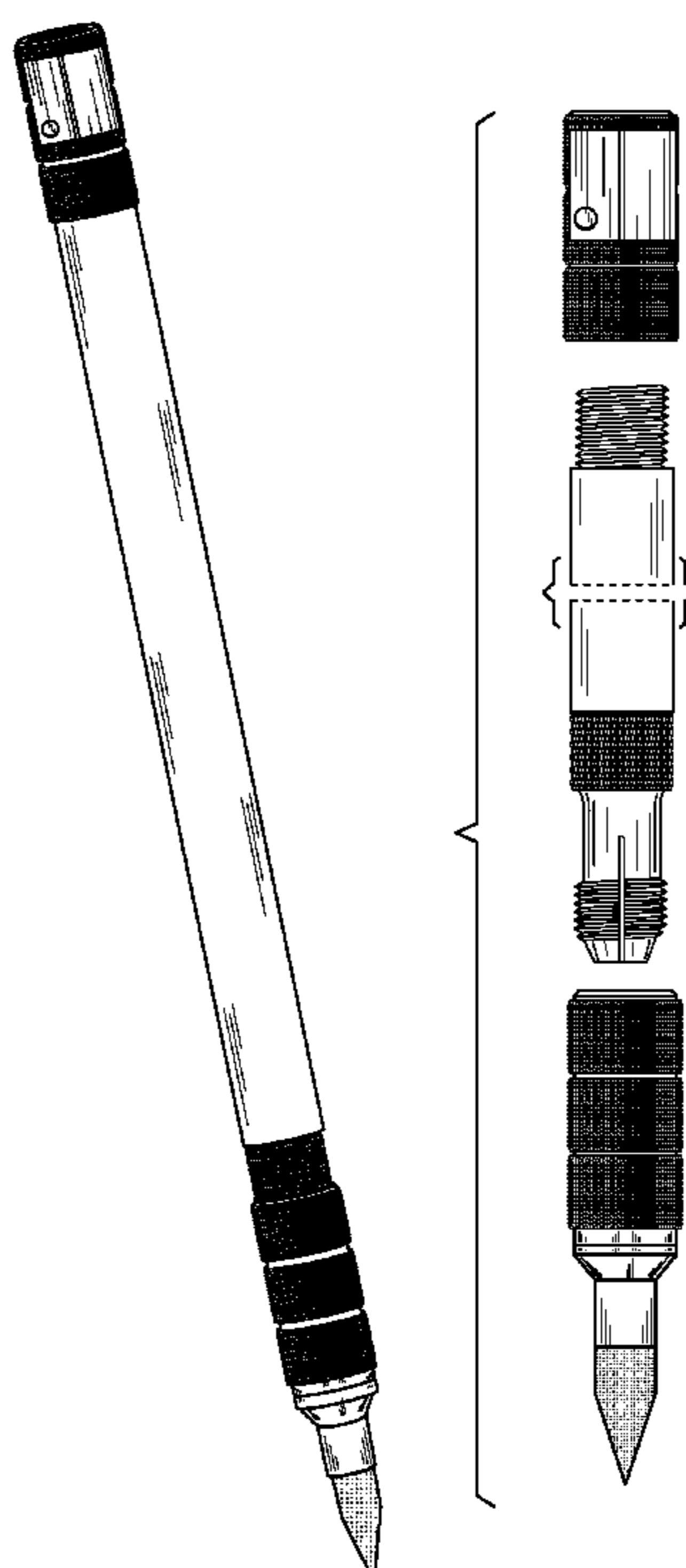
(57) **CLAIM**

I claim the ornamental design for a mechanical pencil with detachable sharpener, as shown and described.

DESCRIPTION

FIG. 1 is a perspective view of a mechanical pencil with detachable sharpener, showing my new design;
FIG. 2 is a front elevational view of FIG. 1 broken away and enlarged to show greater detail;
FIG. 3 is a rear elevational view of FIG. 1 broken away and enlarged to show greater detail;
FIG. 4 is a left-side elevational view of FIG. 1 broken away and enlarged to show greater detail;
FIG. 5 is a right-side elevational view of FIG. 1 broken away and enlarged to show greater detail;
FIG. 6 is an exploded front elevational view of FIG. 1 broken away and enlarged to show greater detail;
FIG. 7 is an enlarged perspective view of the sharpener, the mechanical pencil being omitted for clarity of illustration;
FIG. 8 is an enlarged top plan view thereof; and,
FIG. 9 is an enlarged bottom plan view thereof.
The broken lines showing portions of the inside and bottom in FIGS. 8 and 9 are included for the purpose of showing features of the sharpener that form no part of the claimed design.

1 Claim, 3 Drawing Sheets



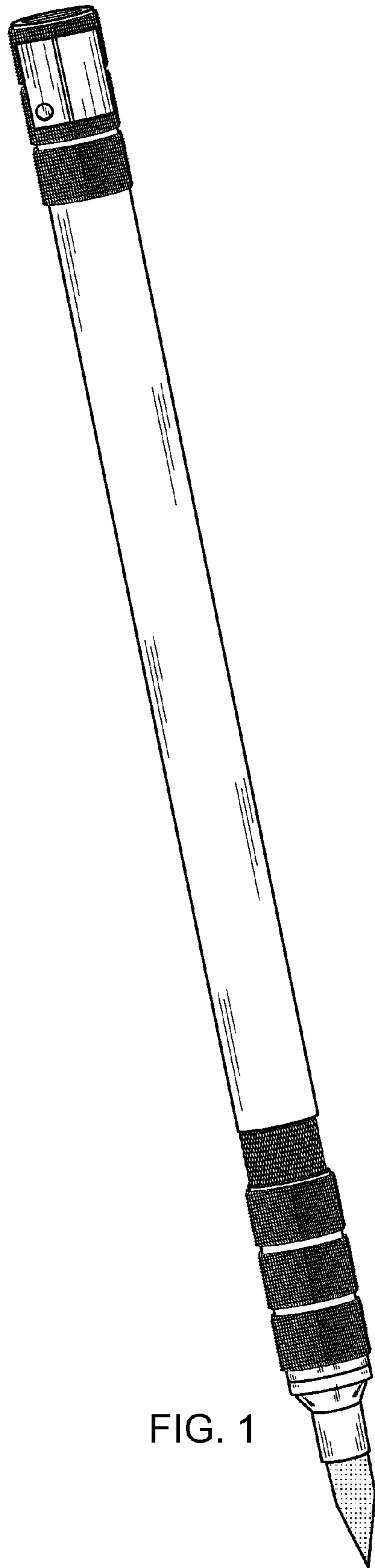


FIG. 1

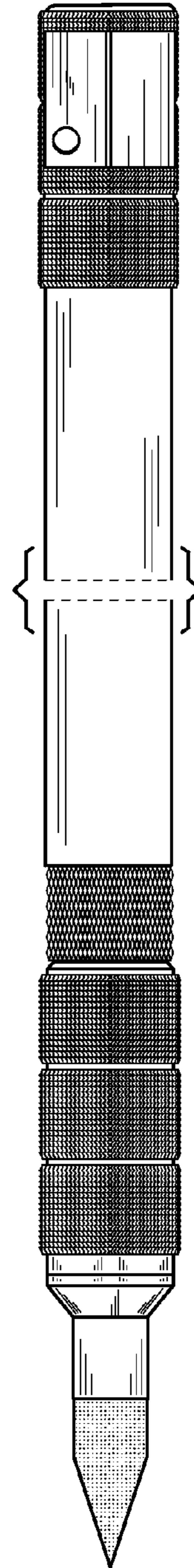


FIG. 2

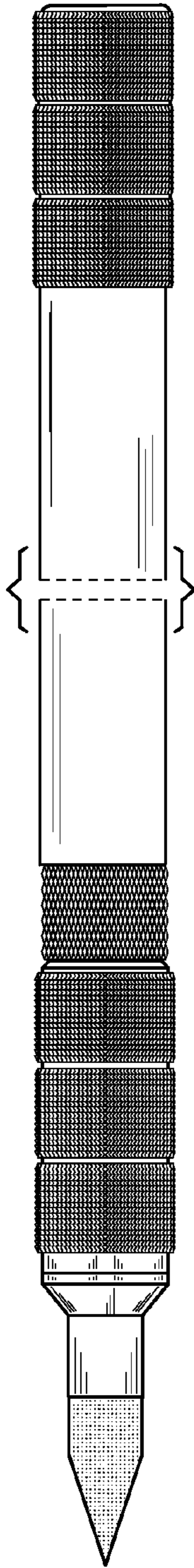


FIG. 3

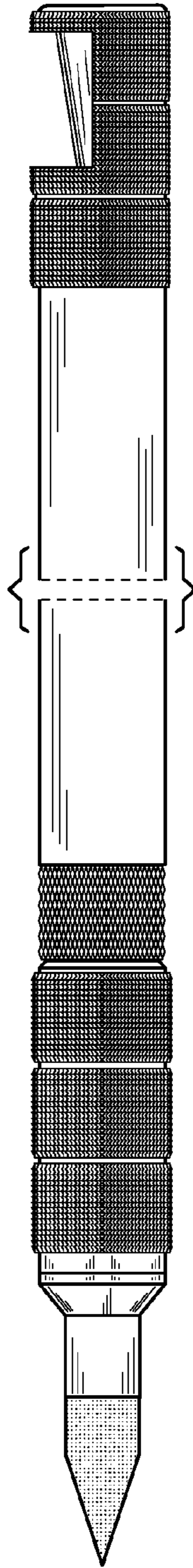


FIG. 4

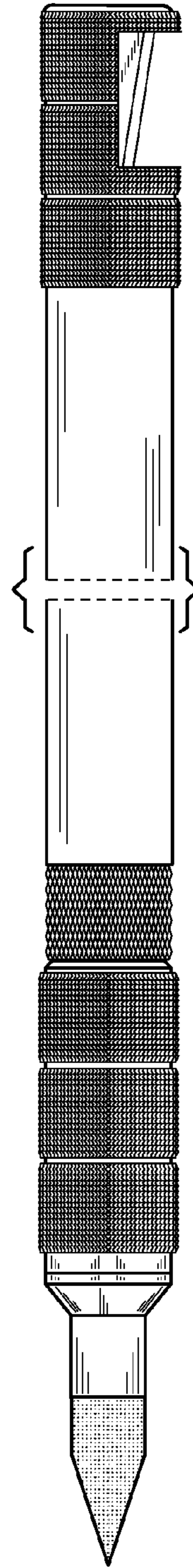


FIG. 5

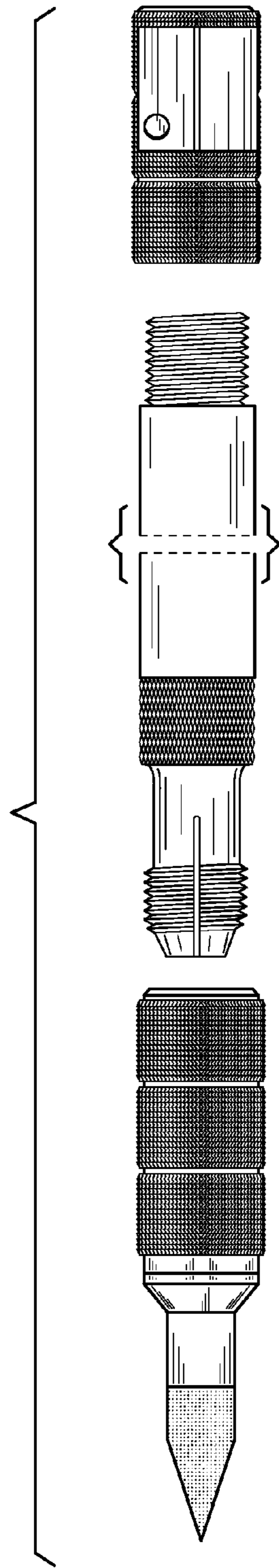


FIG. 6

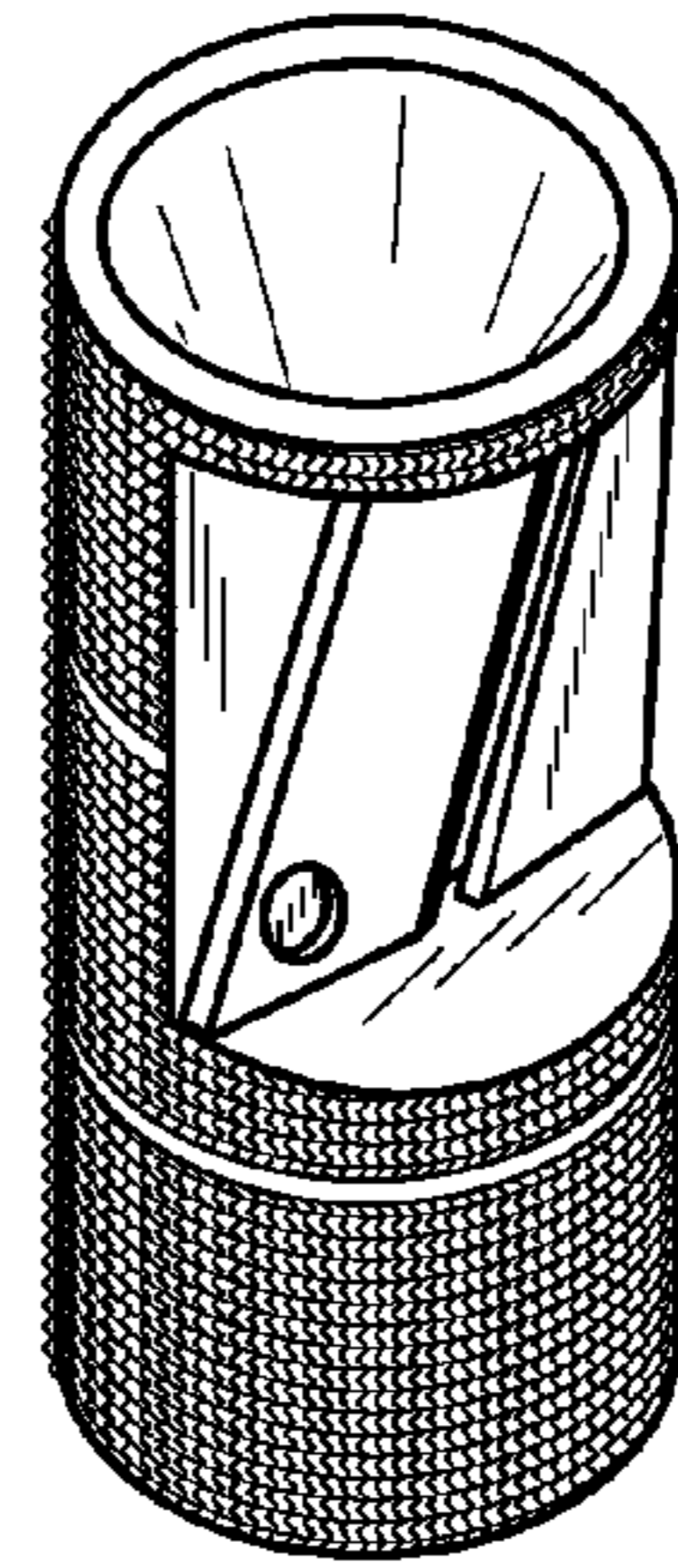


FIG. 7

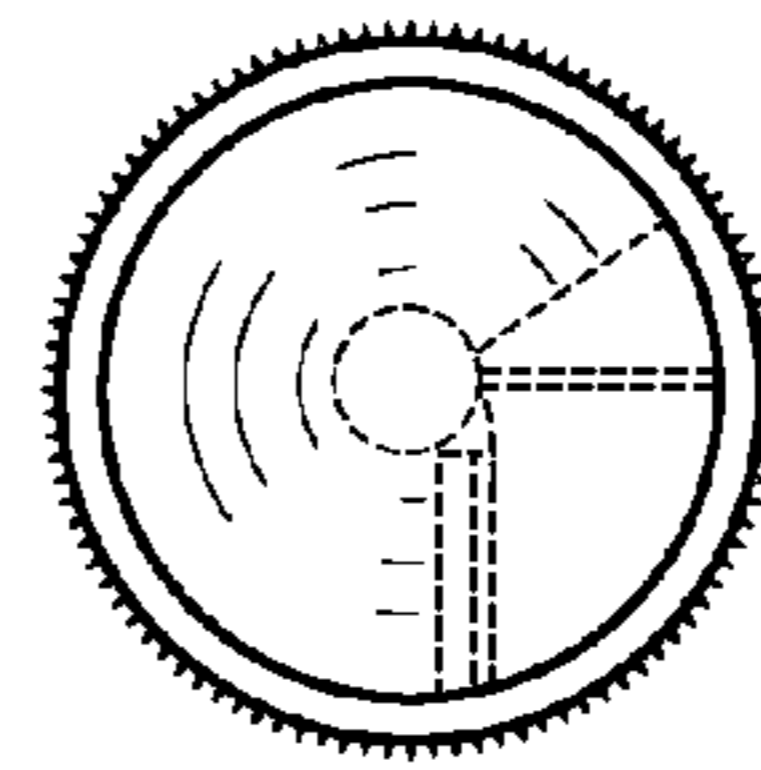


FIG. 8

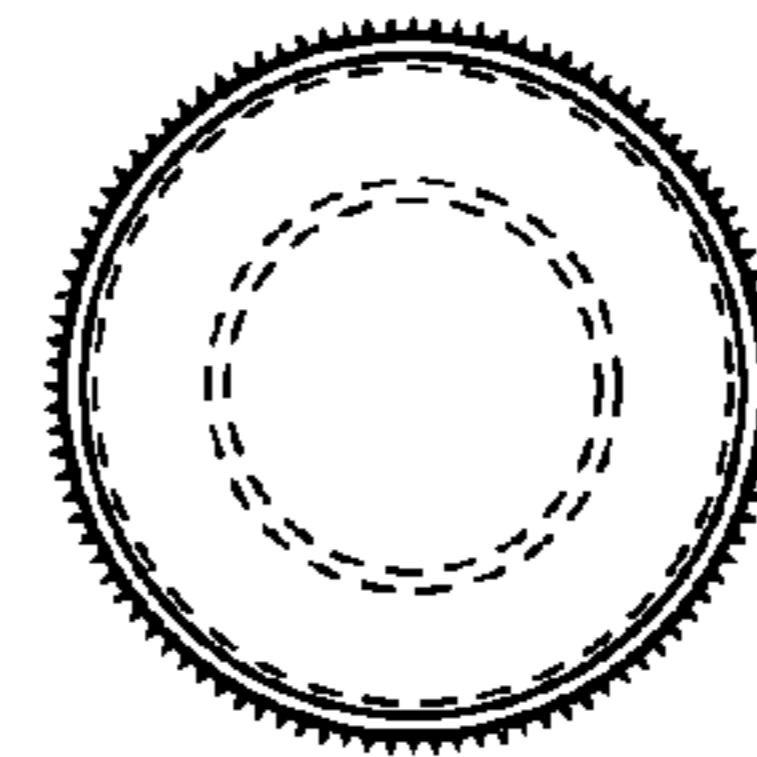


FIG. 9