



US00D701901S

(12) **United States Design Patent**
Bonacina et al.

(10) **Patent No.:** **US D701,901 S**

(45) **Date of Patent:** **** Apr. 1, 2014**

(54) **TAPE DISPENSER**

(71) Applicant: **Poppin Inc.**, New York, NY (US)
(72) Inventors: **Matteo Bonacina**, Astoria, NY (US);
Won Sik Keum, New York, NY (US);
Jeffrey Frederick Miller, New York,
NY (US); **Francesca Pezze**, Brooklyn,
NY (US); **Michael Shuman**, New York,
NY (US)

(73) Assignee: **Poppin Inc.**, New York, NY (US)

(**) Term: **14 Years**

(21) Appl. No.: **29/466,119**

(22) Filed: **Sep. 4, 2013**

(51) **LOC (10) Cl.** **19-02**

(52) **U.S. Cl.**
USPC **D19/69**

(58) **Field of Classification Search**
USPC D19/36, 70, 69, 68; D13/133, 146;
242/588.6, 588.3, 588.2; 225/77, 6, 56,
225/69, 26, 25, 19, 11; 206/411; 156/577,
156/527, 523

See application file for complete search history.

(56) **References Cited**

U.S. PATENT DOCUMENTS

2,708,076	A *	5/1955	Polster et al.	225/34
D325,394	S *	4/1992	Ishii	D19/68
D486,521	S *	2/2004	Crawford et al.	D19/69
D568,399	S *	5/2008	Yu Chen	D19/69
D597,137	S *	7/2009	Chiu	D19/69
D617,380	S *	6/2010	Chiu	D19/69
D619,173	S *	7/2010	Chiu	D19/69
D630,252	S *	1/2011	Abulaf	D19/69
D671,989	S *	12/2012	Refior	D19/69
D671,992	S *	12/2012	Aquino et al.	D19/69
2006/0289594	A1 *	12/2006	Yu Chen	225/56

* cited by examiner

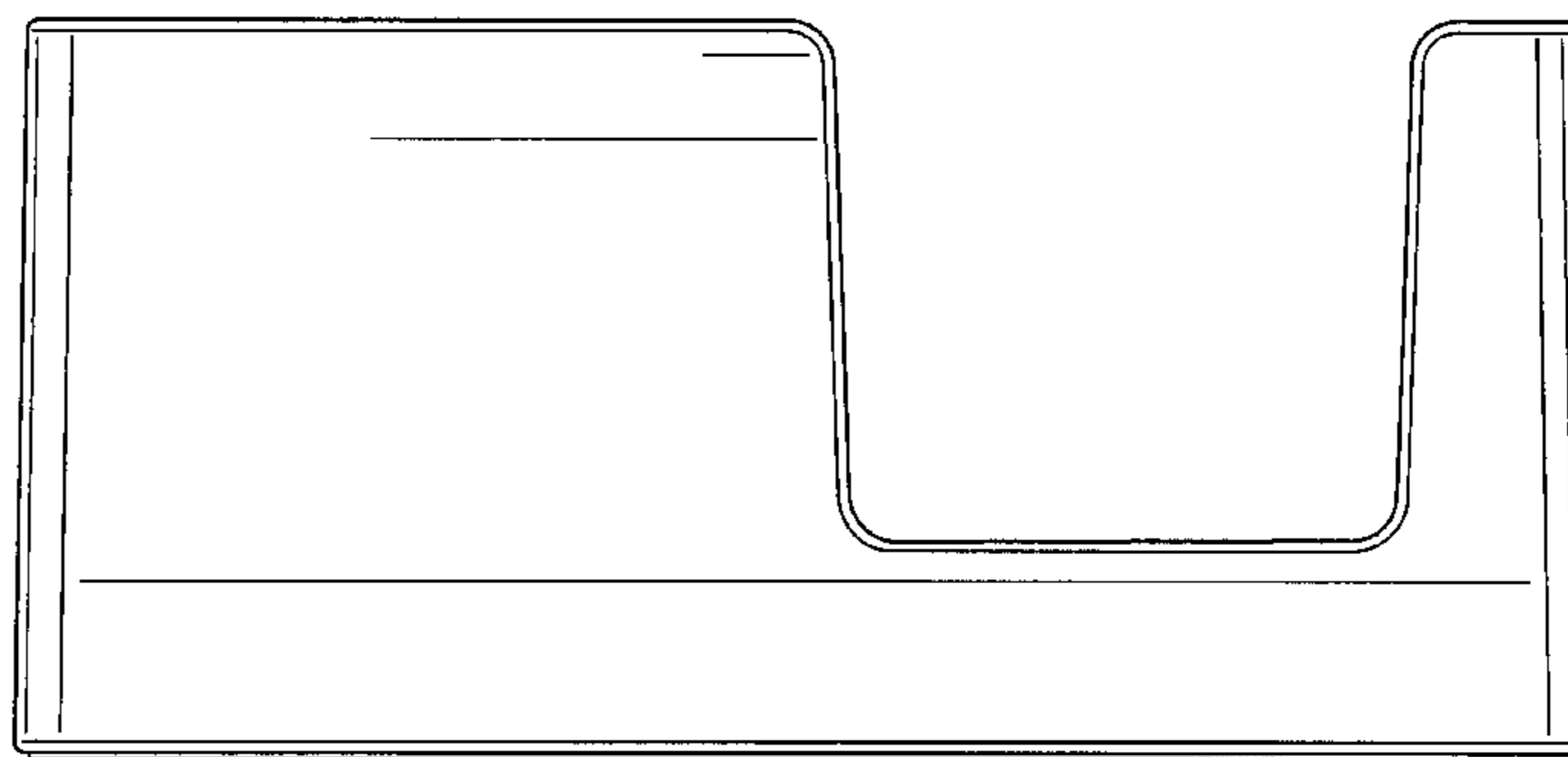
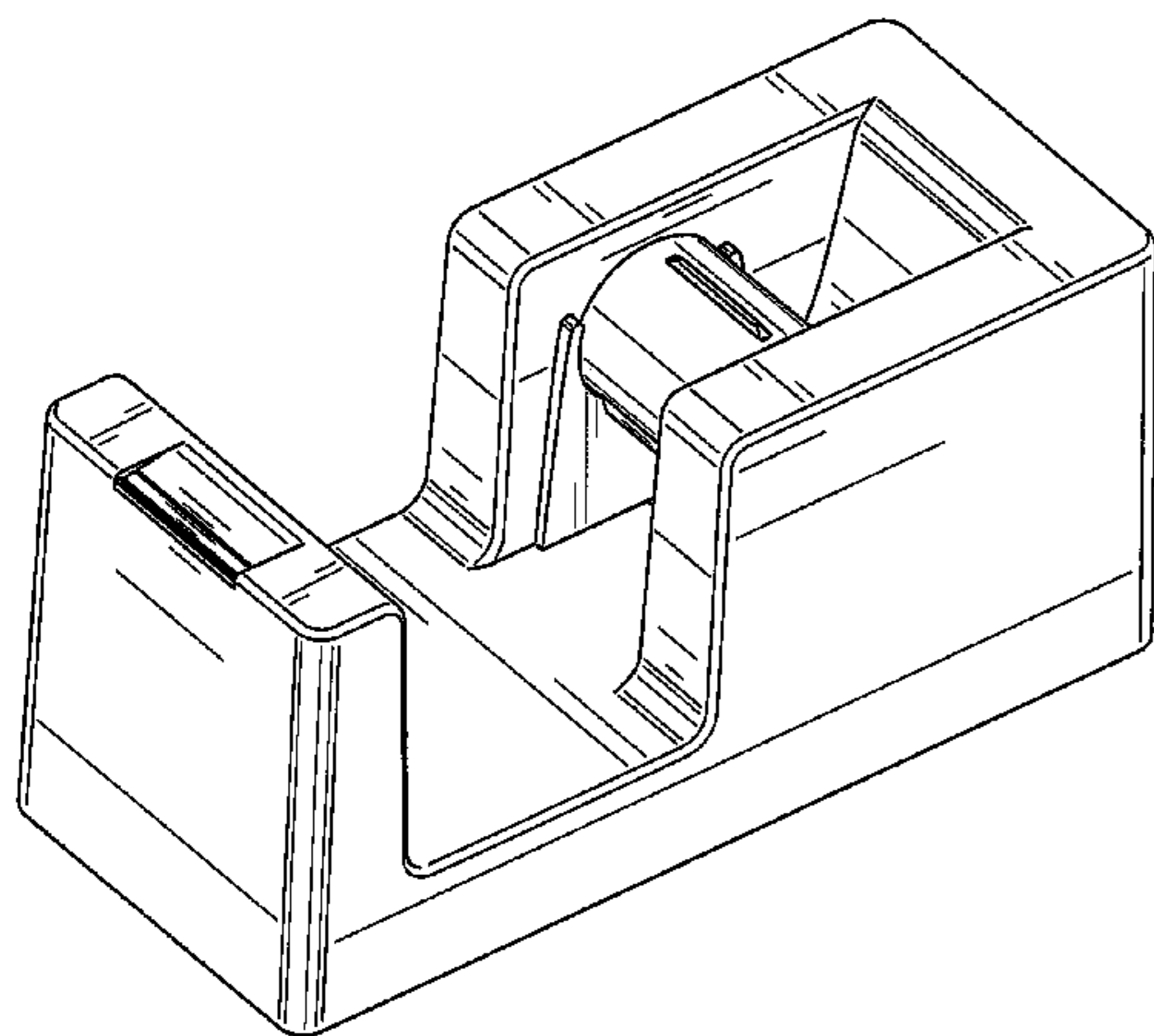
Primary Examiner — Austin Murphy
(74) *Attorney, Agent, or Firm* — K&L Gates LLP

(57) **CLAIM**
The ornamental design for a tape dispenser, as shown and described.

DESCRIPTION

FIG. 1 is a perspective view of a tape dispenser;
FIG. 2 is a front elevation view thereof;
FIG. 3 is a rear elevation view thereof;
FIG. 4 is a left side elevation view thereof;
FIG. 5 is a right side elevation view thereof;
FIG. 6 is a top plan view thereof; and,
FIG. 7 is a bottom plan view thereof.
FIG. 8 is a perspective view of the tape dispenser of FIG. 1 with a spindle removed; and,
FIG. 9 is a top plan view of the tape dispenser of FIG. 8.

1 Claim, 9 Drawing Sheets



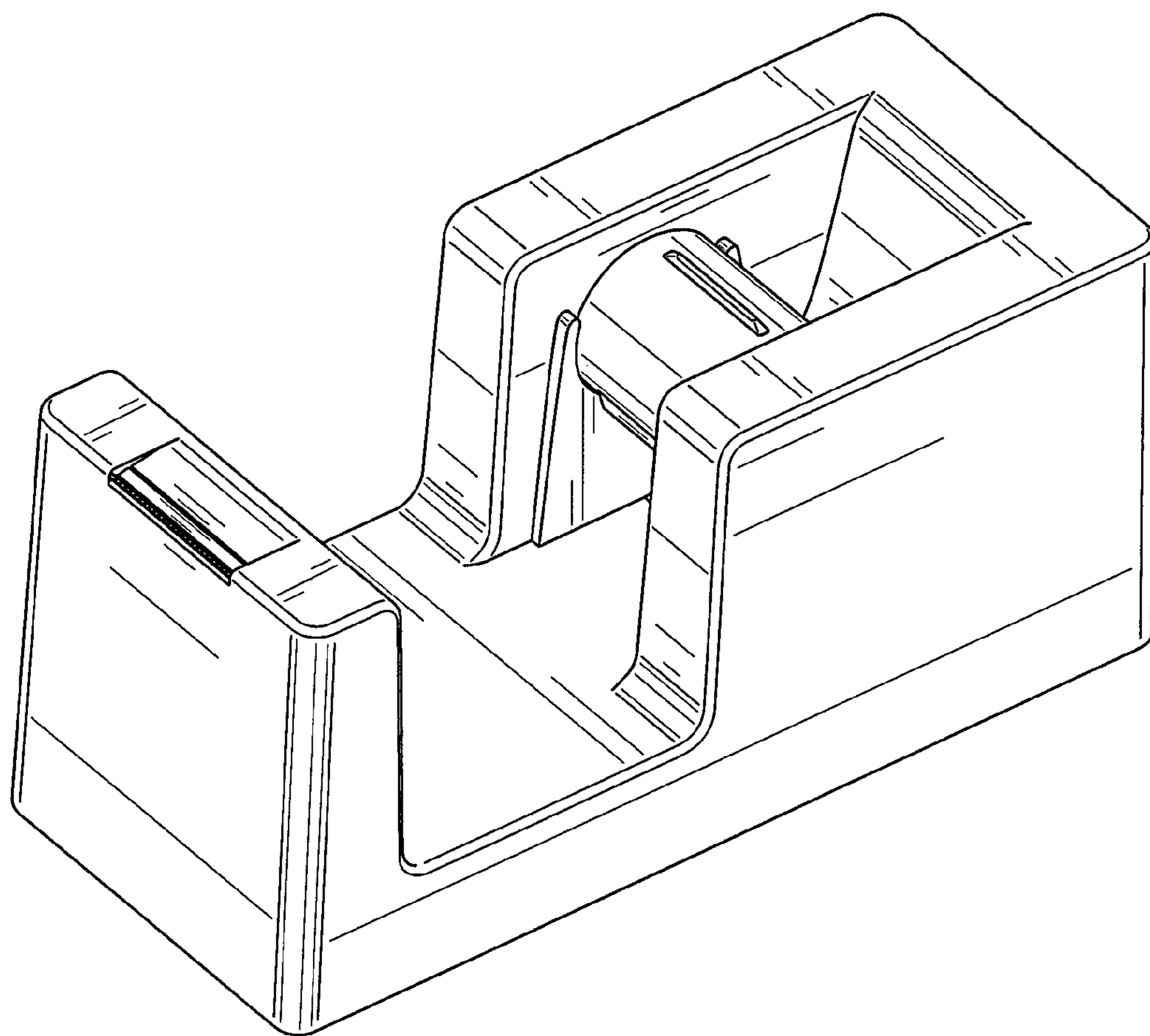


FIG. 1

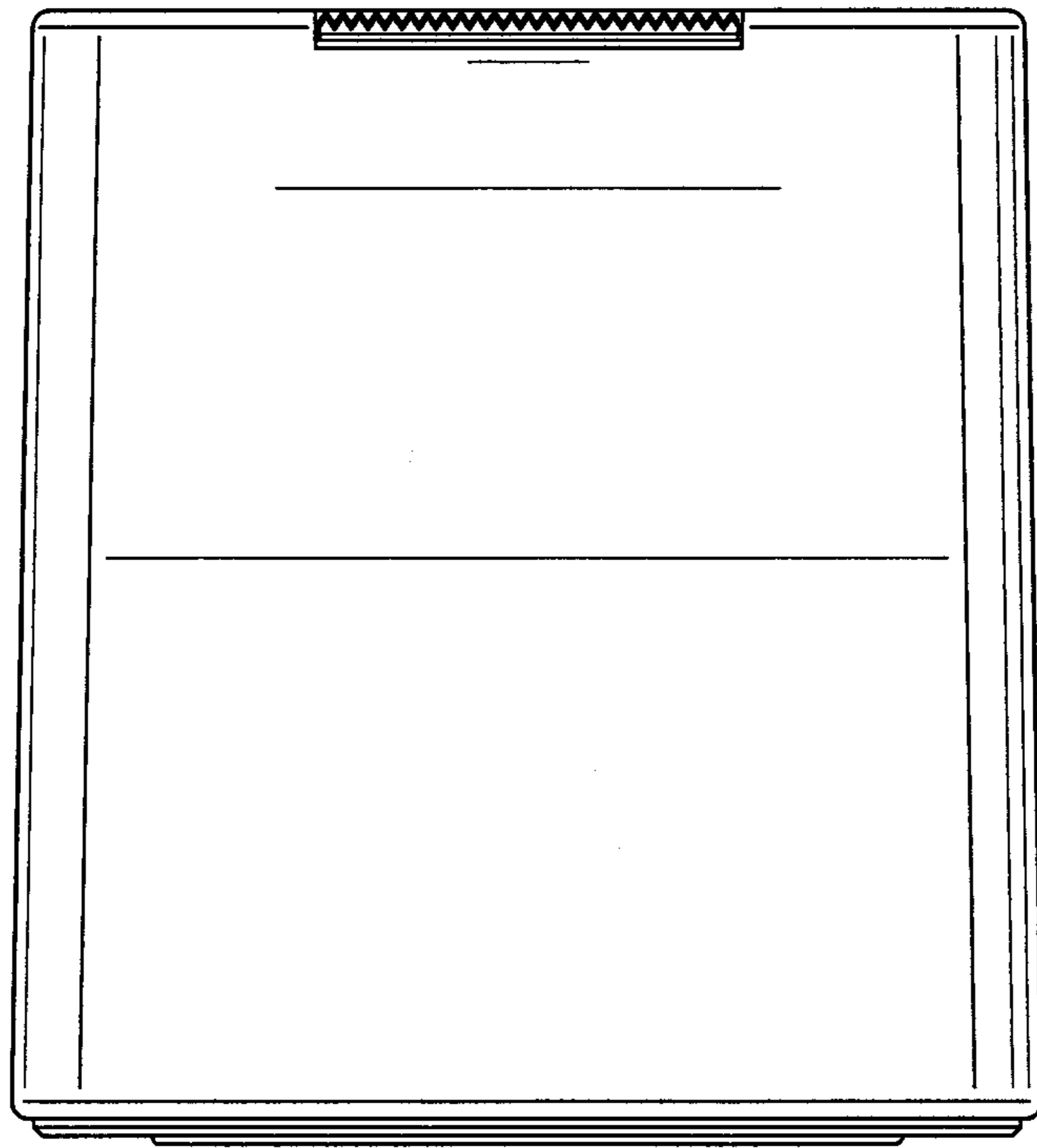


FIG. 2

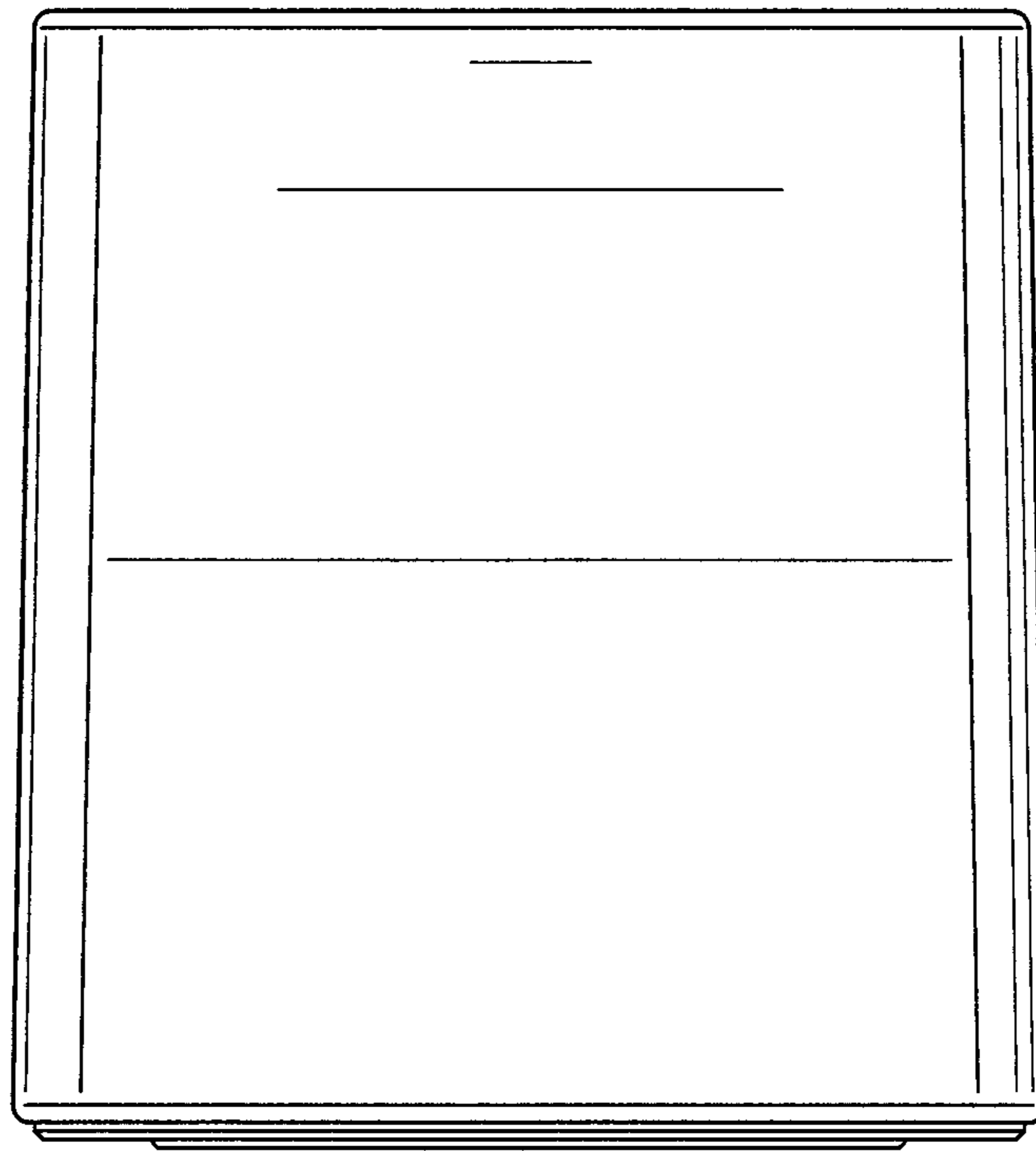


FIG. 3

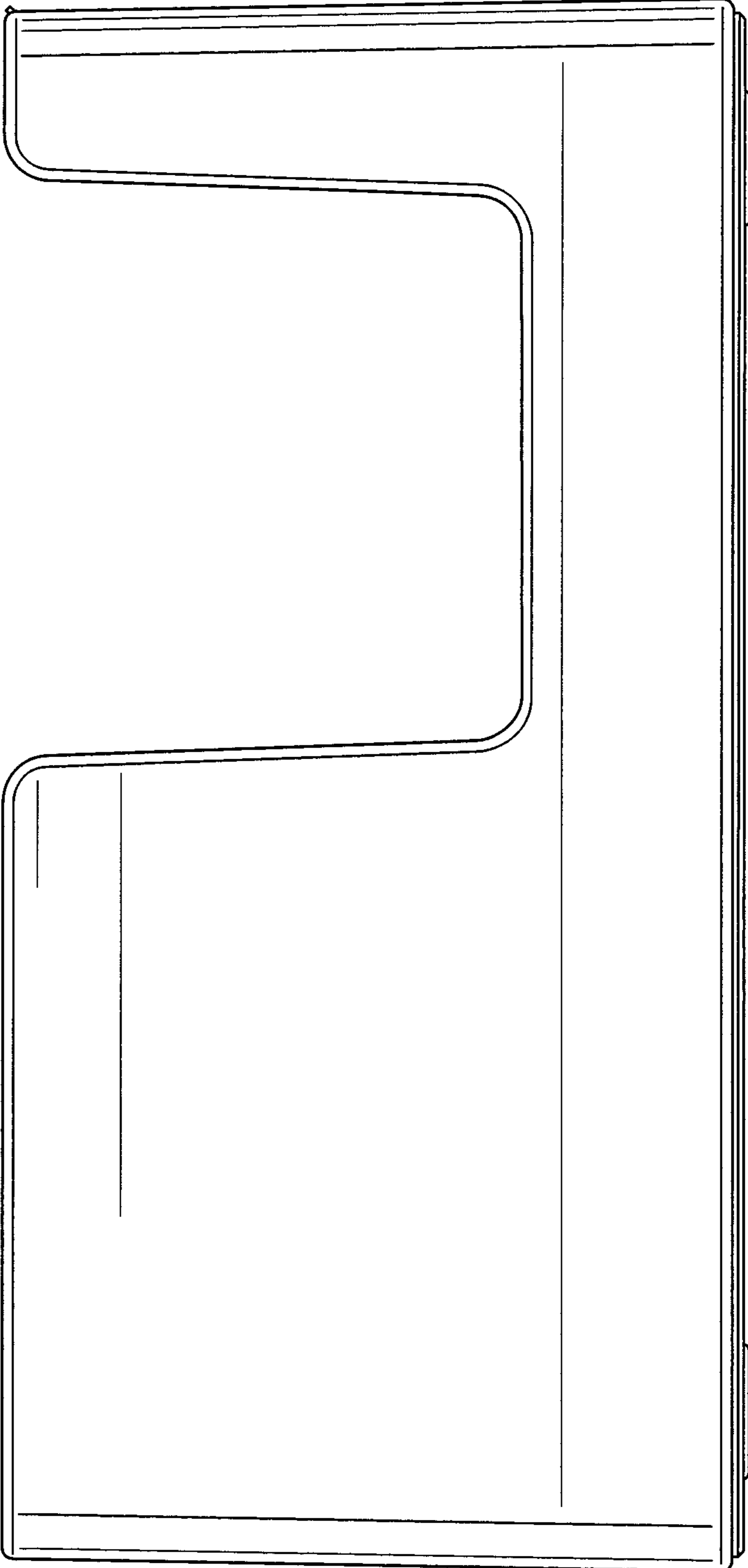


FIG. 4

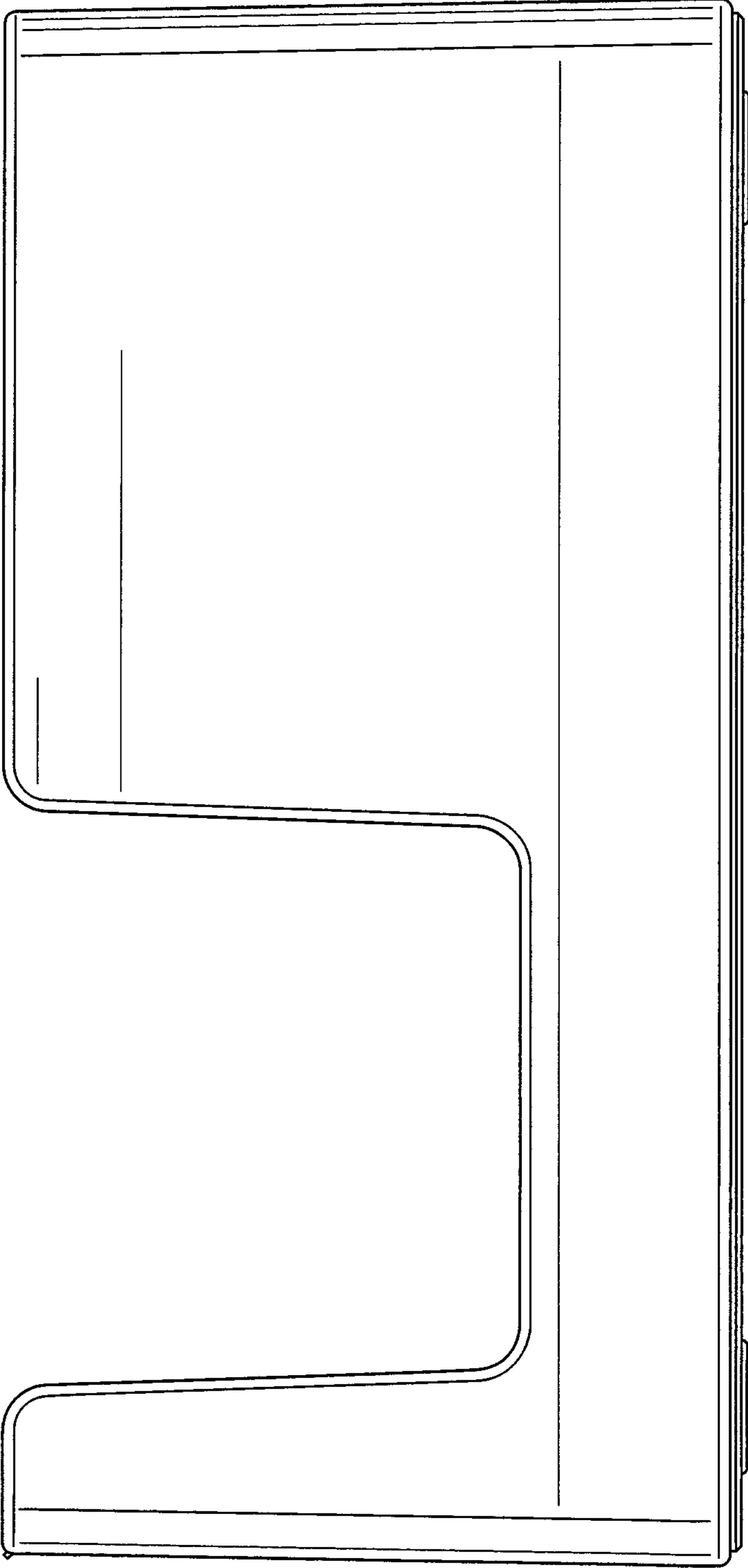


FIG. 5

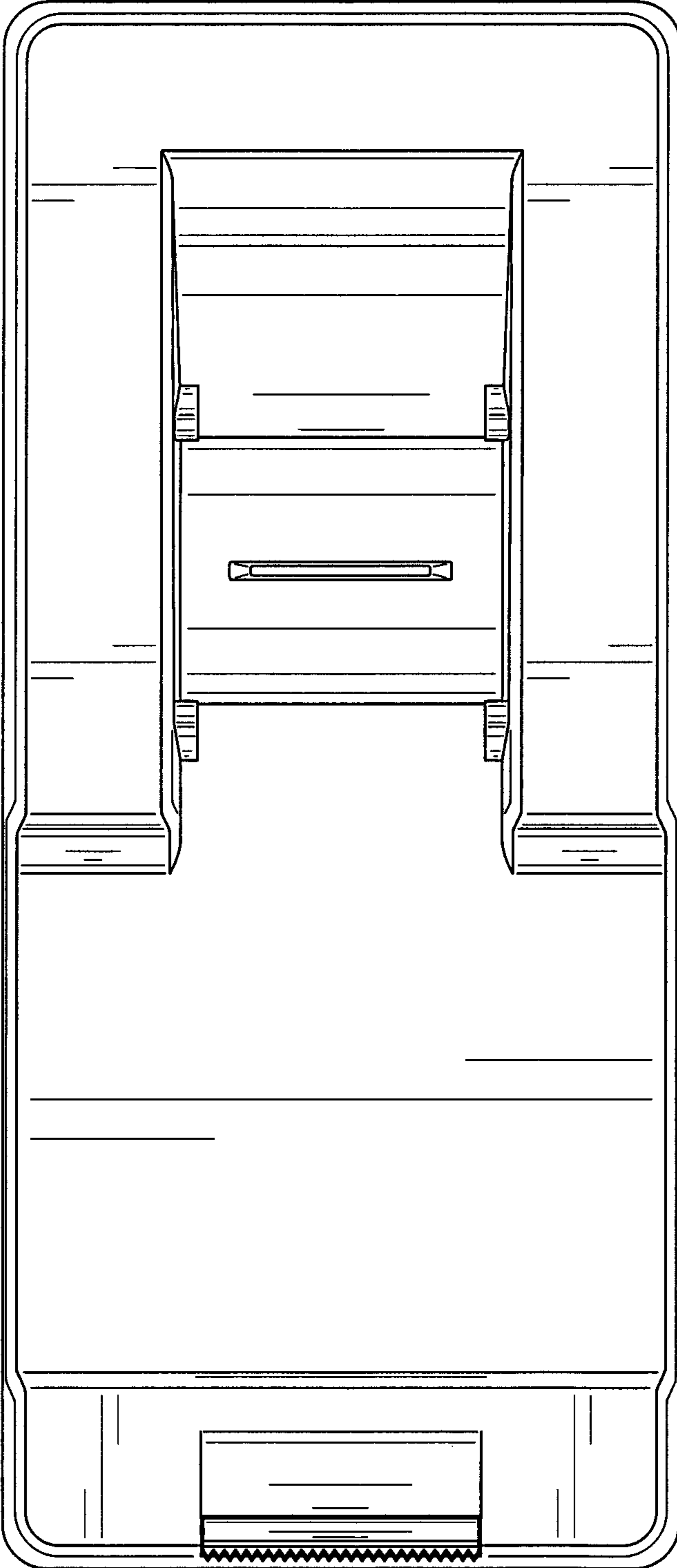


FIG. 6

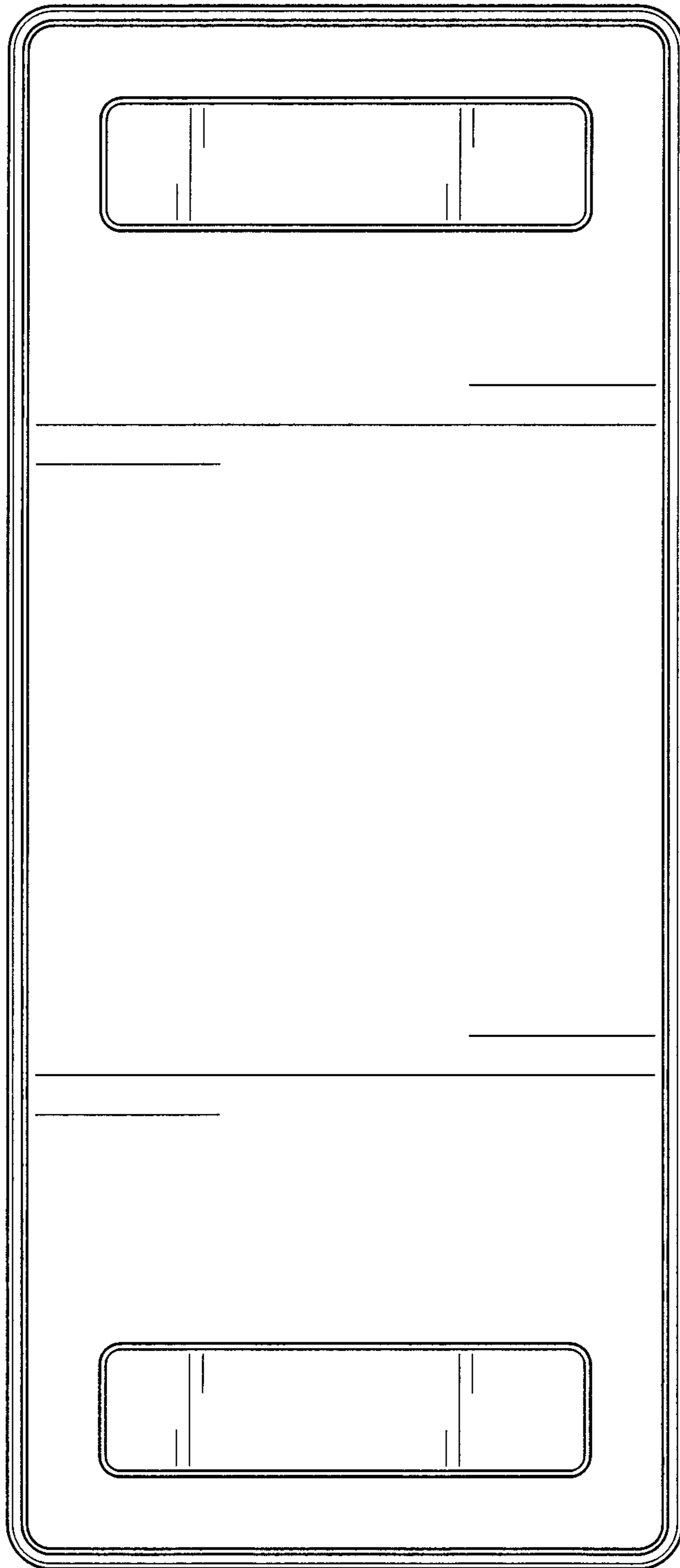


FIG. 7

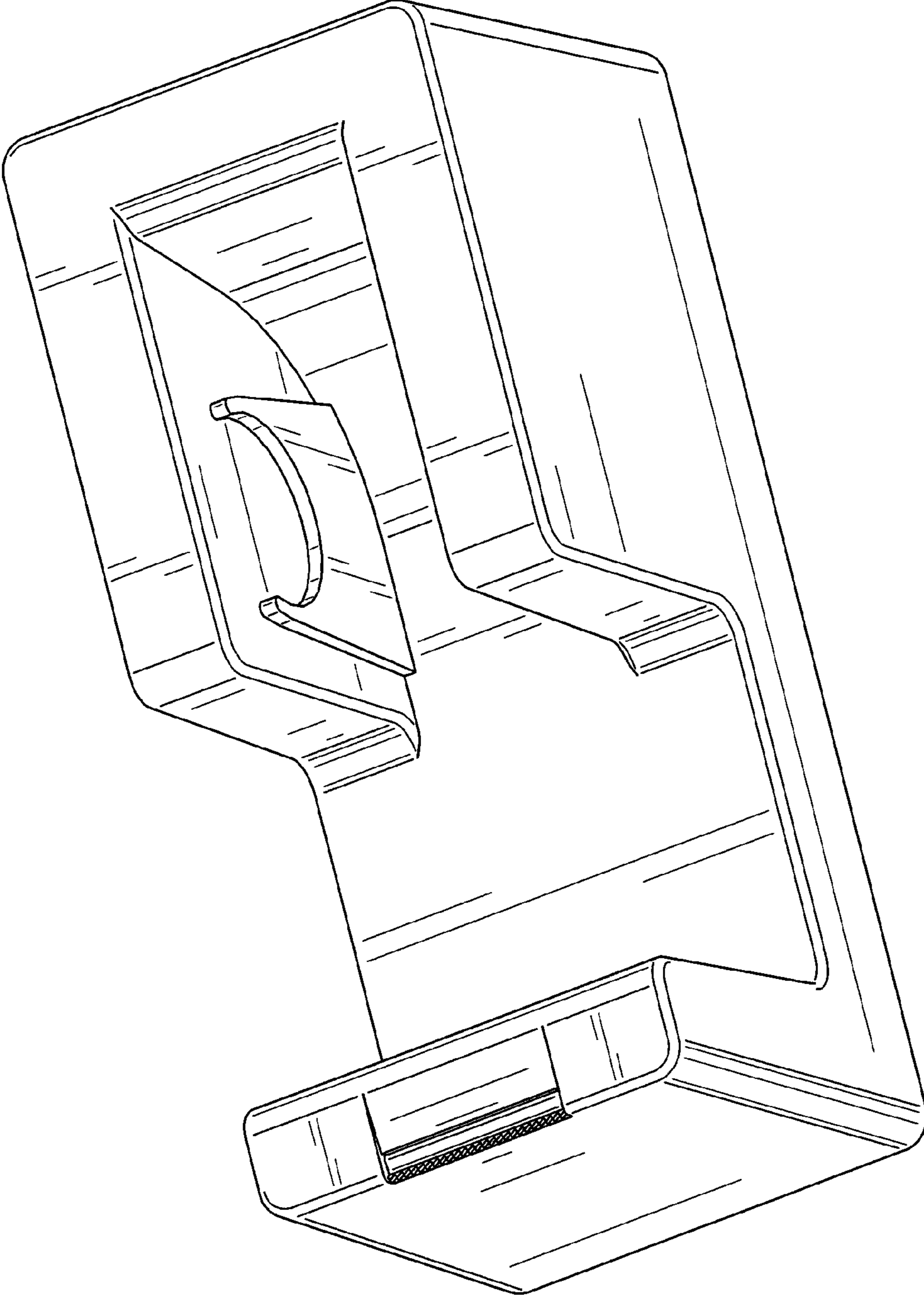


FIG. 8

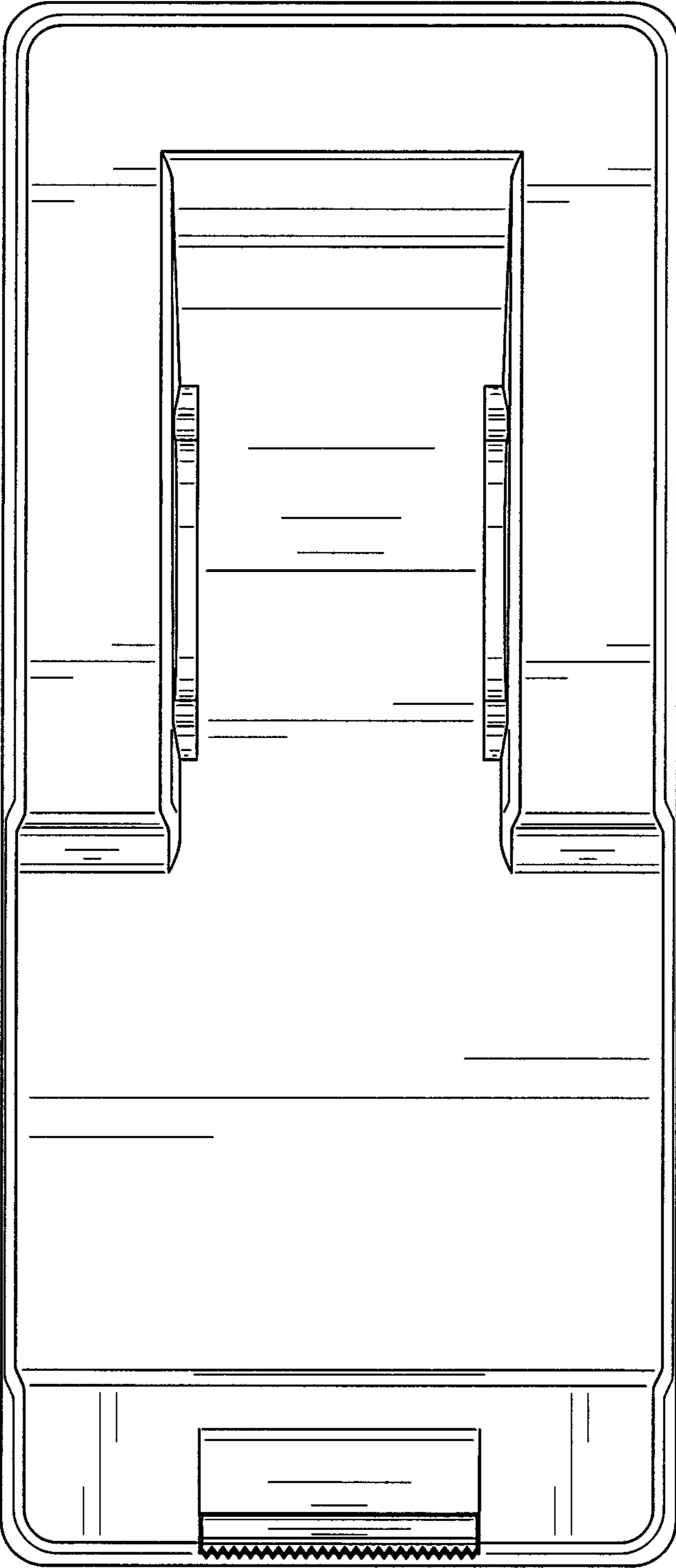


FIG. 9