



US00D701900S

(12) **United States Design Patent**  
**Daniel**

(10) **Patent No.:** **US D701,900 S**

(45) **Date of Patent:** **\*\* \*Apr. 1, 2014**

(54) **ELECTRONIC PAYMENT CARD WITH BIOMETRIC VERIFICATION MEANS POSITIONED THEREON**

(71) Applicant: **Isaac S. Daniel**, Miramar, FL (US)

(72) Inventor: **Isaac S. Daniel**, Miramar, FL (US)

(\* ) Notice: This patent is subject to a terminal disclaimer.

(\*\*) Term: **14 Years**

(21) Appl. No.: **29/444,995**

(22) Filed: **Feb. 6, 2013**

(51) **LOC (10) Cl.** ..... **19-08**

(52) **U.S. Cl.**  
USPC ..... **D19/10**

(58) **Field of Classification Search**  
USPC ..... D19/1-12, 100; 40/124.01-124.15, 40/672, 661, 776, 726, 617; 235/380, 449, 235/487, 492, 493, 488; 206/449, 815, 315; D20/10, 22, 27, 40, 11, 39, 43; D14/435, 436, 437, 478; 283/72-78, 283/81-83, 107-114, 904  
See application file for complete search history.

(56) **References Cited**

**U.S. PATENT DOCUMENTS**

D427,577 S \* 7/2000 Haas et al. .... D14/437  
D436,620 S \* 1/2001 Webb et al. .... D19/10  
D494,999 S \* 8/2004 Cook, Jr. .... D19/10  
D512,095 S \* 11/2005 Allard et al. .... D19/10

D565,096 S \* 3/2008 Brown ..... D19/10  
D582,977 S \* 12/2008 Field et al. .... D19/10  
D661,350 S \* 6/2012 Halbur et al. .... D19/9  
D667,495 S \* 9/2012 Bender ..... D19/10  
D672,807 S \* 12/2012 Ahrabian ..... D19/9  
D676,487 S \* 2/2013 Mullen et al. .... D19/10  
8,408,471 B2 \* 4/2013 Kim ..... 235/487

\* cited by examiner

*Primary Examiner* — Caron D Veynar

*Assistant Examiner* — Abraham Bahta

(74) *Attorney, Agent, or Firm* — Carol N. Green, Esq.

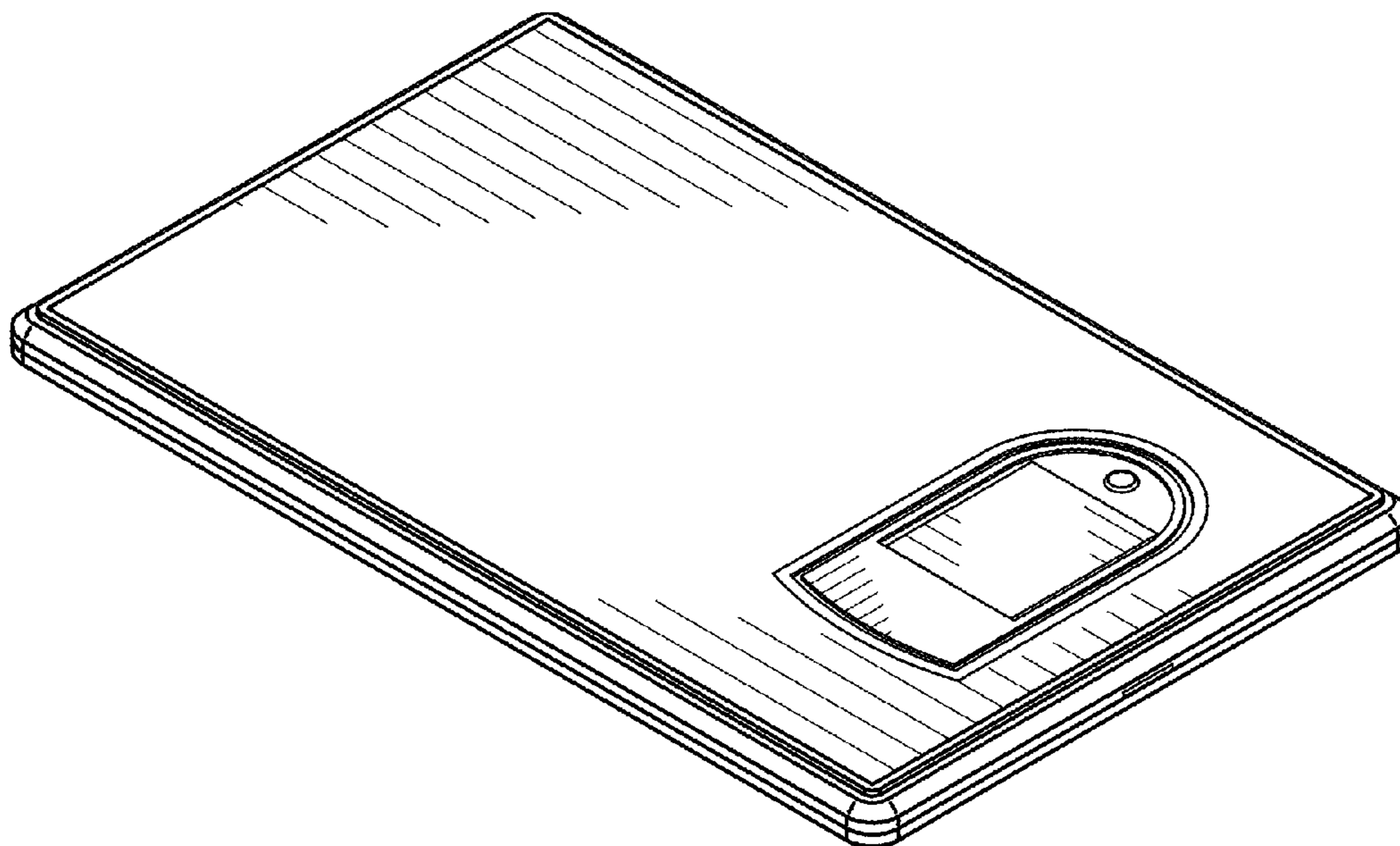
(57) **CLAIM**

The ornamental design for an electronic payment card with biometric verification means positioned thereon, as shown and described.

**DESCRIPTION**

FIG. 1 is a front perspective view of the electronic payment card with biometric verification means positioned thereon. FIG. 2 is a rear perspective view of the electronic payment card with biometric verification means positioned thereon. FIG. 3 is a front plan view of the electronic payment card with biometric verification means positioned thereon. FIG. 4 is a rear plan view of the electronic payment card with biometric verification means positioned thereon. FIG. 5 is a right side view of the electronic payment card with biometric verification means positioned thereon. FIG. 6 is a left side view of the electronic payment card with biometric verification means positioned thereon; and, FIG. 7 is a top view of the electronic payment card with biometric verification means positioned thereon.

**1 Claim, 3 Drawing Sheets**



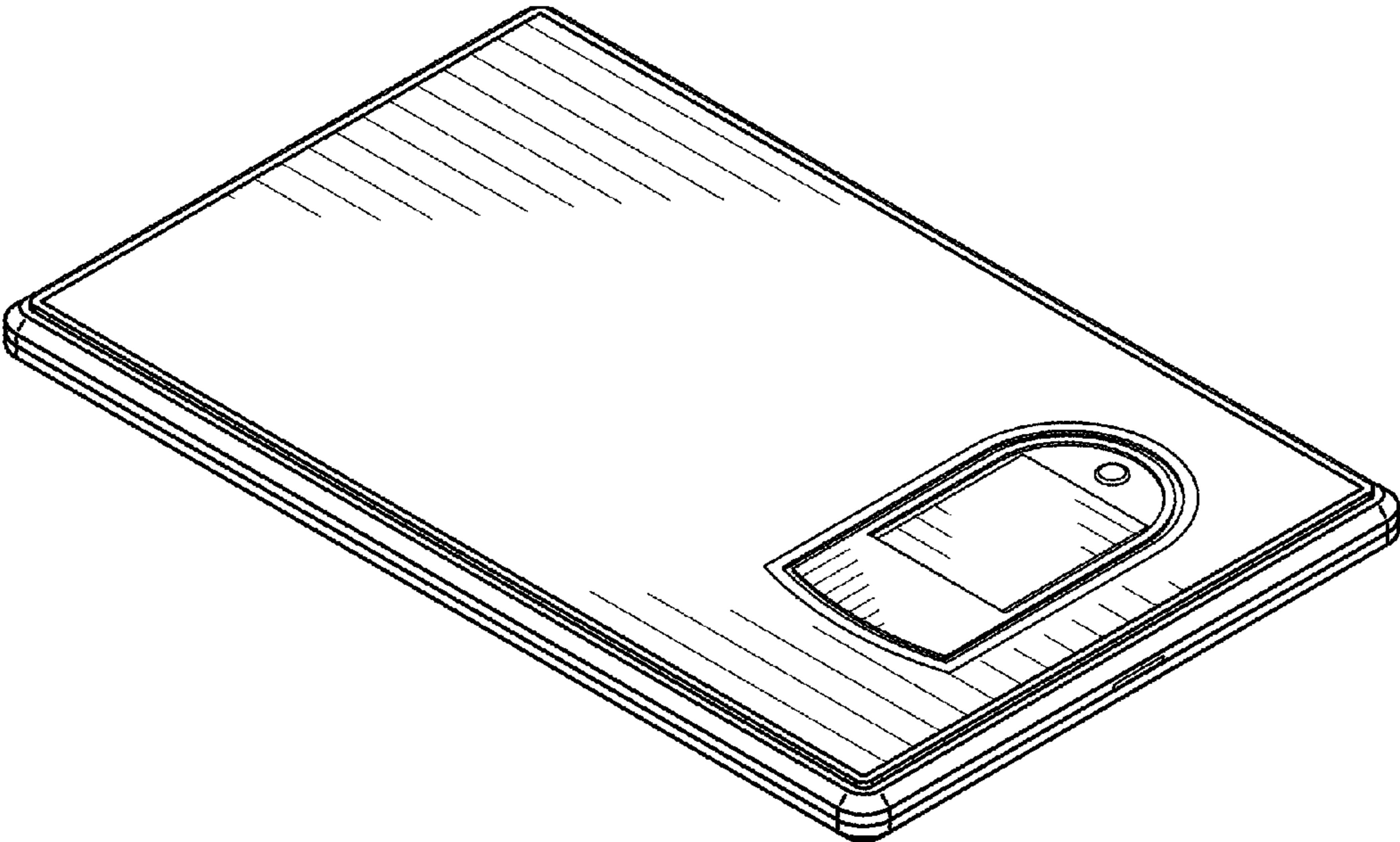


FIG. 1

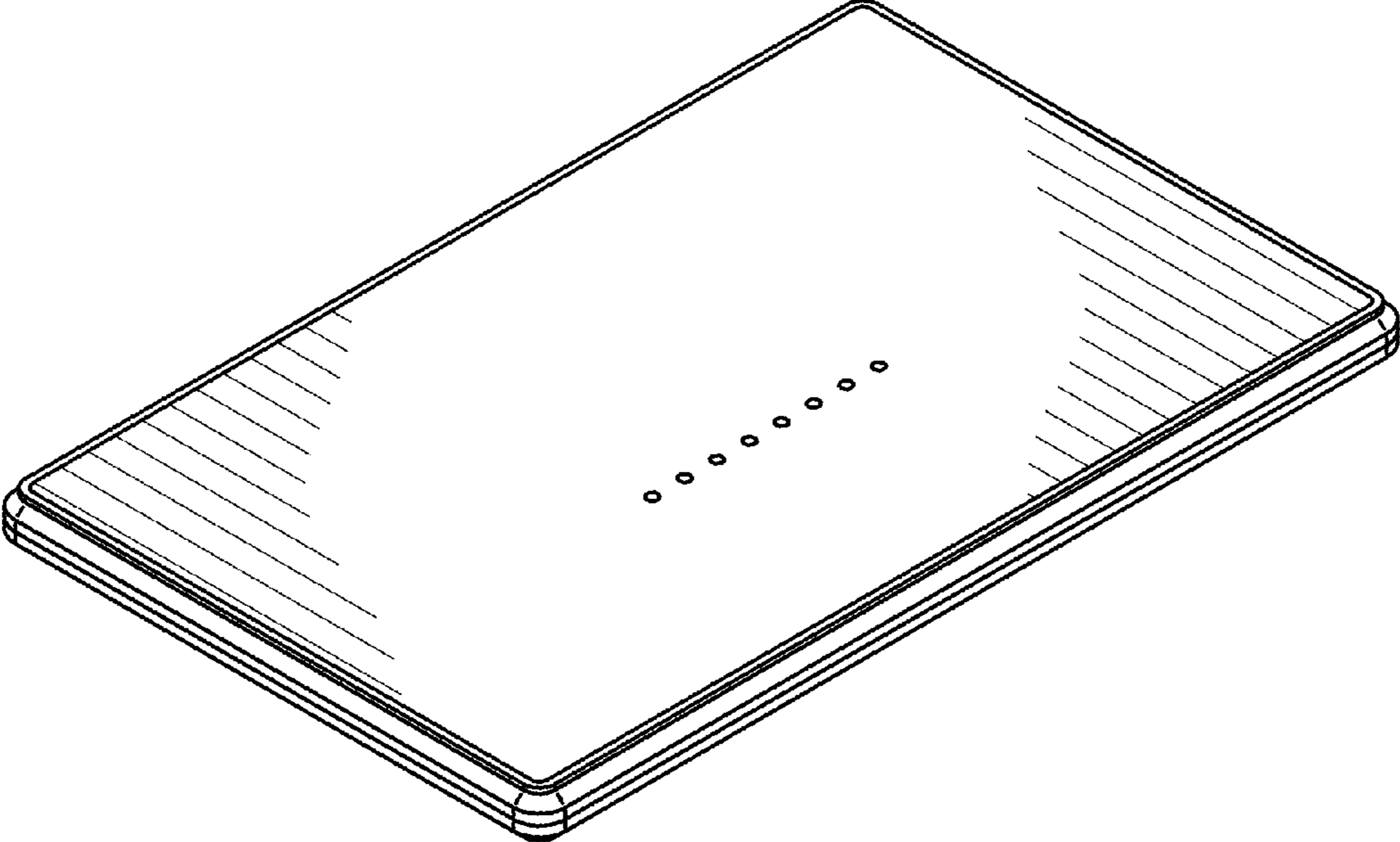


FIG. 2

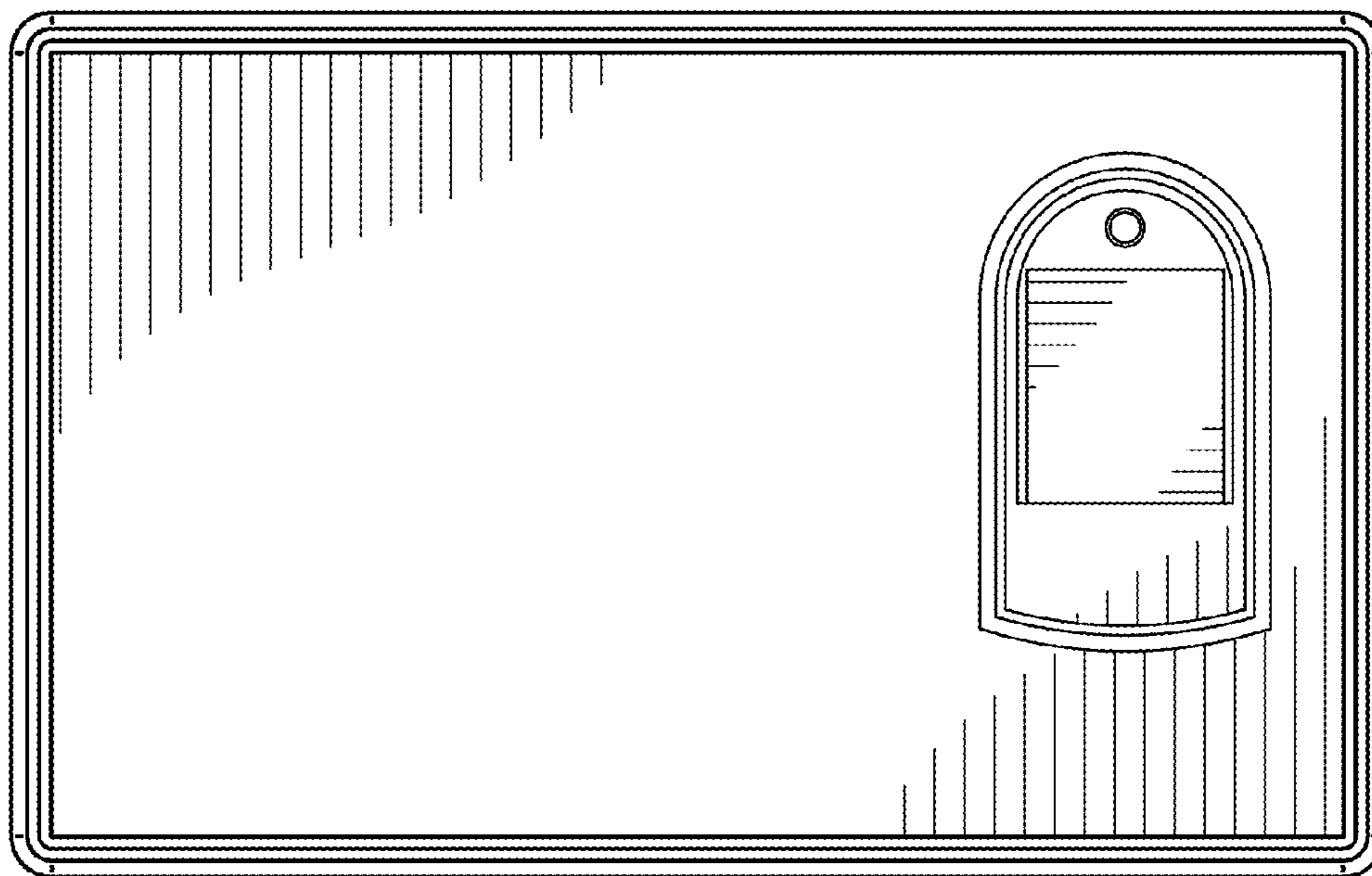


FIG. 3

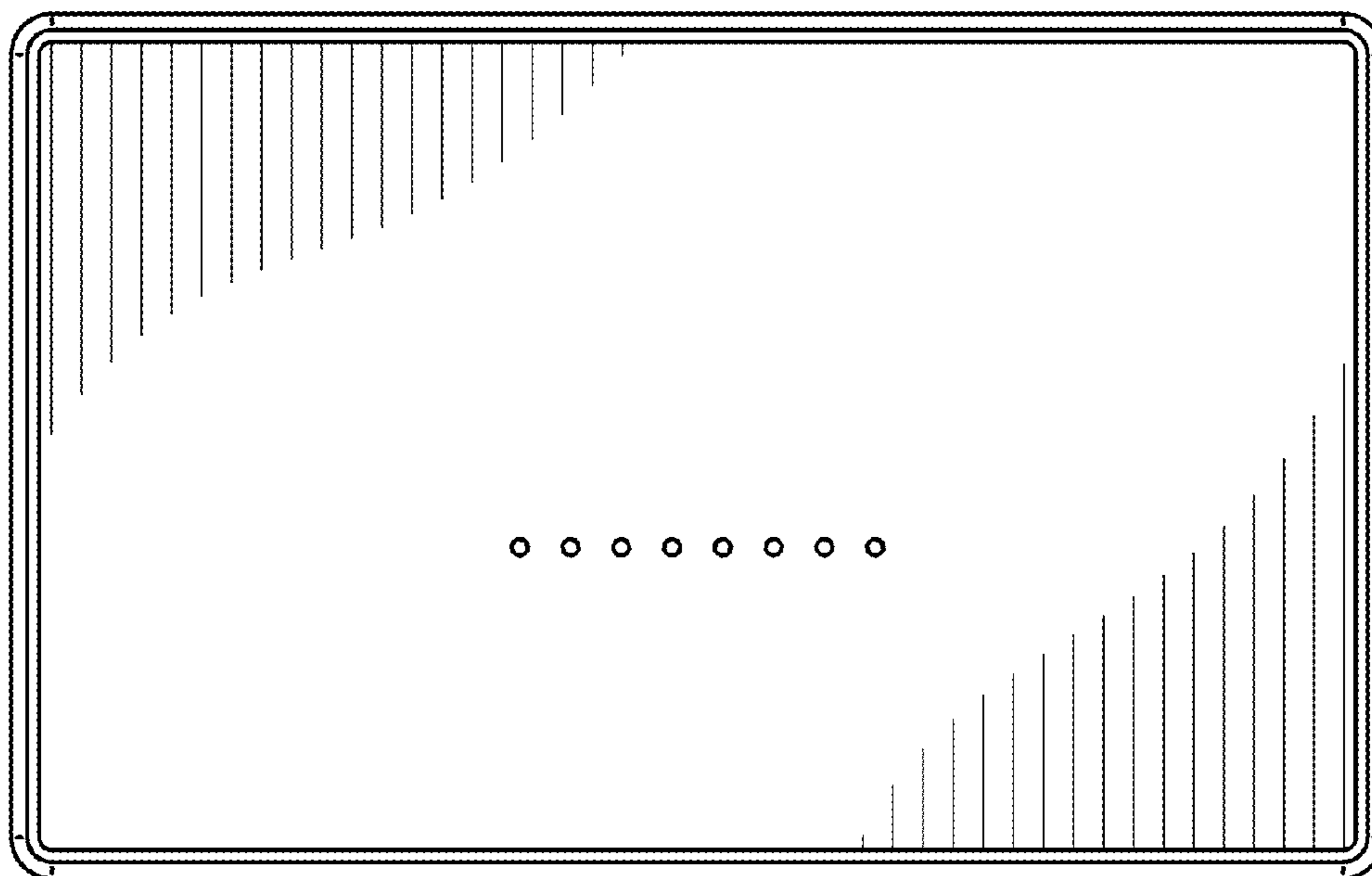


FIG. 4

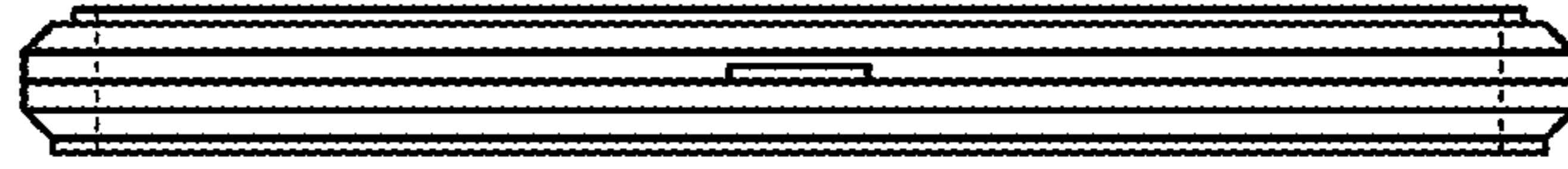


FIG. 5



FIG. 6

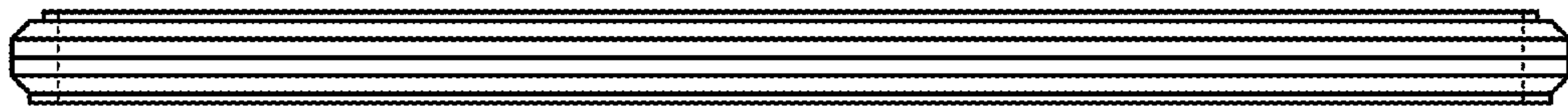


FIG. 7