



US00D701899S

(12) **United States Design Patent**  
**Ehrlich et al.**

(10) **Patent No.:** **US D701,899 S**

(45) **Date of Patent:** **\*\* Apr. 1, 2014**

(54) **FINANCIAL TRANSACTION CARD**

(56) **References Cited**

(71) Applicant: **Homer TLC, Inc.**, Wilmington, DE  
(US)

U.S. PATENT DOCUMENTS

(72) Inventors: **Nathan D. Ehrlich**, Duluth, GA (US);  
**Emily Taylor**, Dallas, TX (US); **Todd Palisi**, Dallas, TX (US); **Nicole Runnels**, Atlanta, GA (US)

D408,054 S *	4/1999	Leedy, Jr. ....	D19/9
D506,340 S *	6/2005	Brandon .....	D6/511
D512,095 S *	11/2005	Allard et al. ....	D19/10
D526,012 S *	8/2006	Dorr et al. ....	D19/9
D573,182 S *	7/2008	Ricketts et al. ....	D19/10
D636,020 S *	4/2011	Antonio .....	D19/9
D636,021 S *	4/2011	Antonio .....	D19/10
D643,064 S *	8/2011	Skelding et al. ....	D19/10
D650,440 S *	12/2011	Irwin, Jr. ....	D19/10
D667,495 S *	9/2012	Bender .....	D19/10
D676,487 S *	2/2013	Mullen et al. ....	D19/10
D677,330 S *	3/2013	Blum .....	D19/10

(73) Assignee: **Homer TLC, Inc.**, Wilmington, DE  
(US)

(\*\*) Term: **14 Years**

\* cited by examiner

(21) Appl. No.: **29/438,767**

*Primary Examiner* — Caron D Veynar

*Assistant Examiner* — Abraham Bahta

(22) Filed: **Dec. 3, 2012**

(74) *Attorney, Agent, or Firm* — Fulbright & Jawoski LLP

(51) **LOC (10) Cl.** ..... **19-08**

(57) **CLAIM**

(52) **U.S. Cl.**

The ornamental design for a financial transaction card, as shown and described.

USPC ..... **D19/10**

**DESCRIPTION**

(58) **Field of Classification Search**

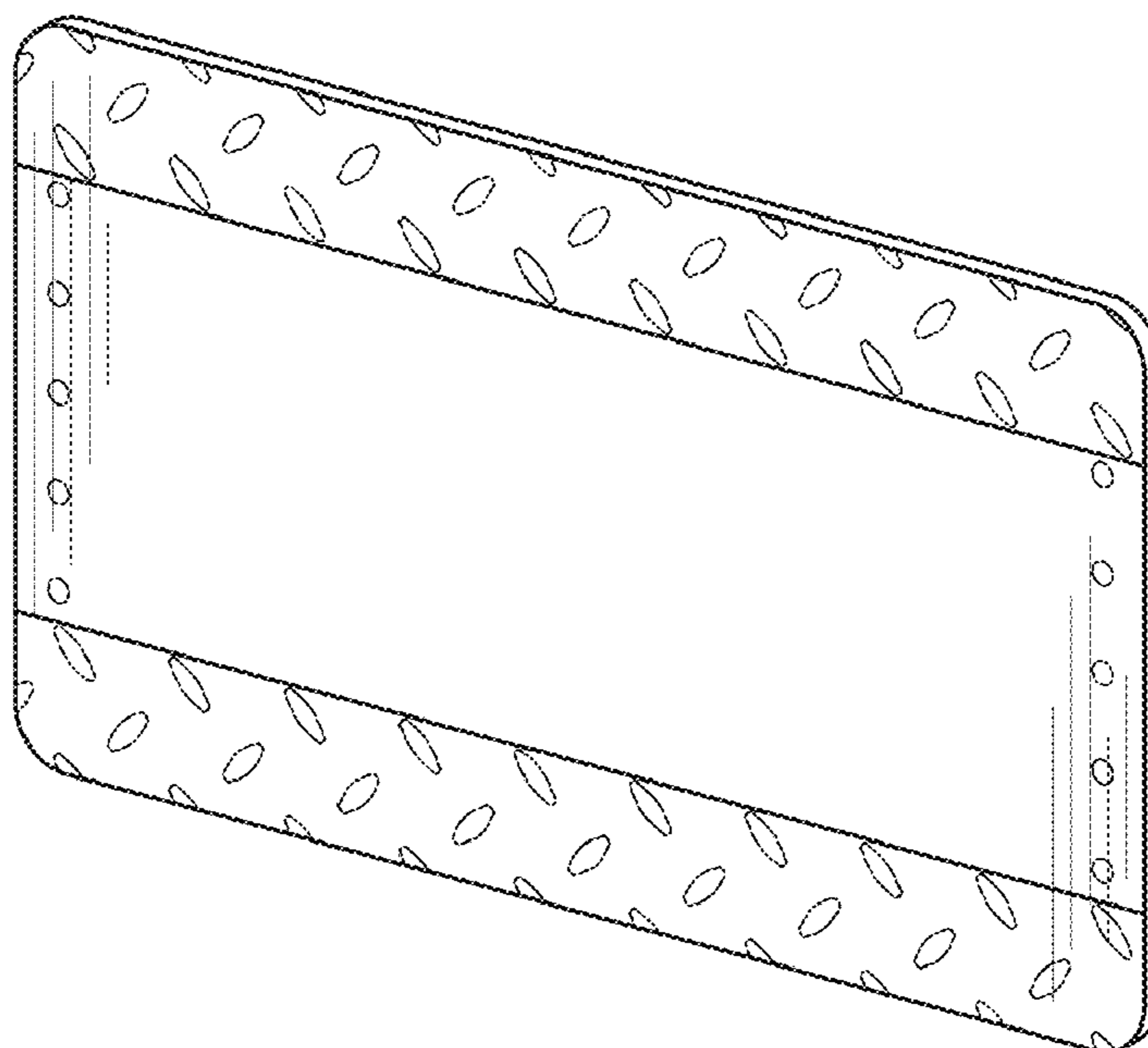
USPC ..... D19/1-12, 20-34, 100;  
40/124.01-124.15, 672, 661, 726, 776,  
40/617; 283/72, 74-75, 103, 105-117, 82,  
283/70, 94, 81, 904; 206/449, 815;  
D21/385; D20/10, 22, 27, 40, 42, 11;  
D14/435-437; 360/2; 235/380, 382,  
235/487, 493, 488; D6/613, 583

FIG. 1 is a front perspective view of the financial transaction card showing my new design; and, FIG. 2 is a front view thereof.

All other surface(s) or portion(s), including the back view, of the transaction card not shown in the figures or otherwise described in the specification form no part of the claimed design.

See application file for complete search history.

**1 Claim, 1 Drawing Sheet**



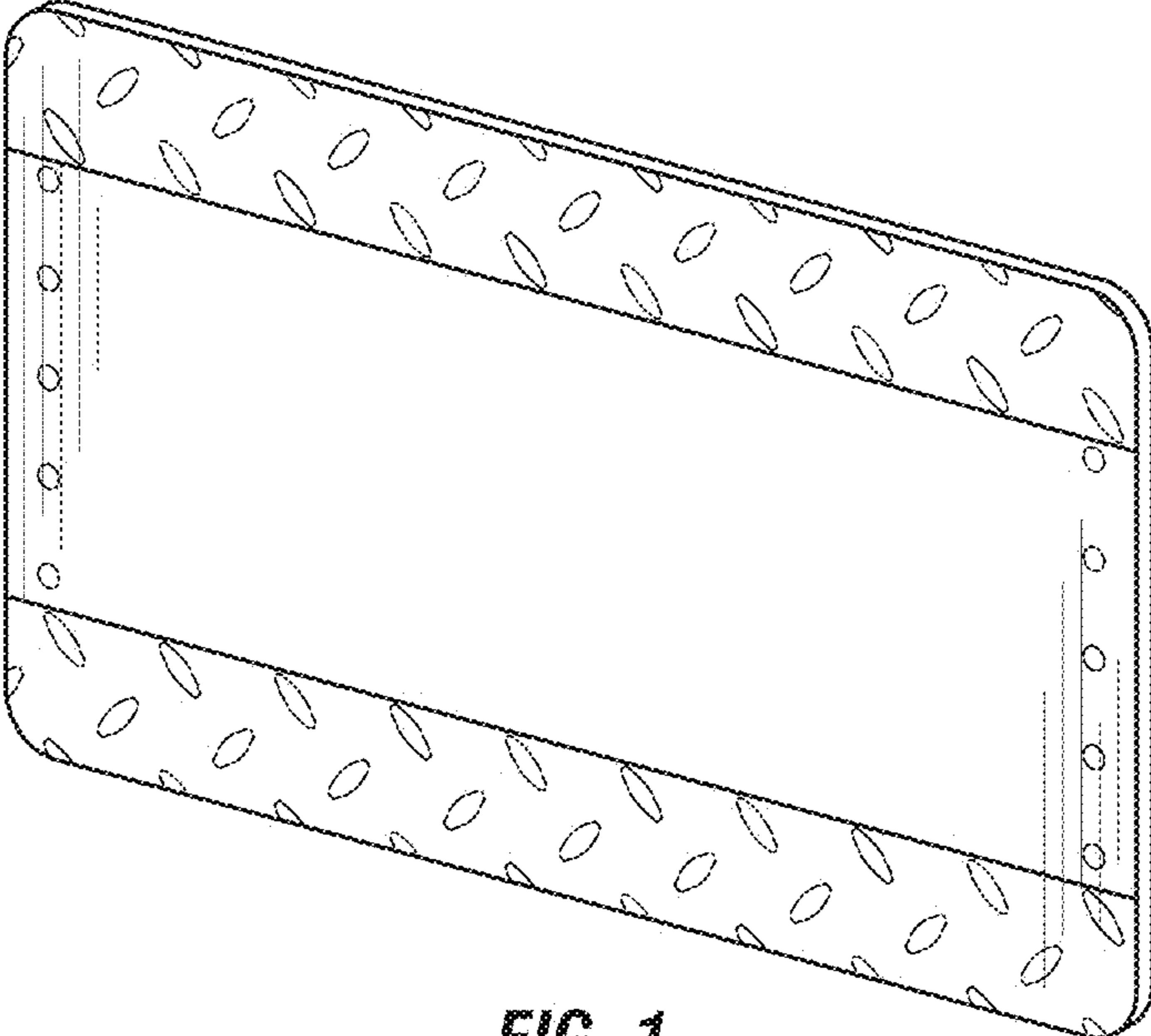


FIG. 1

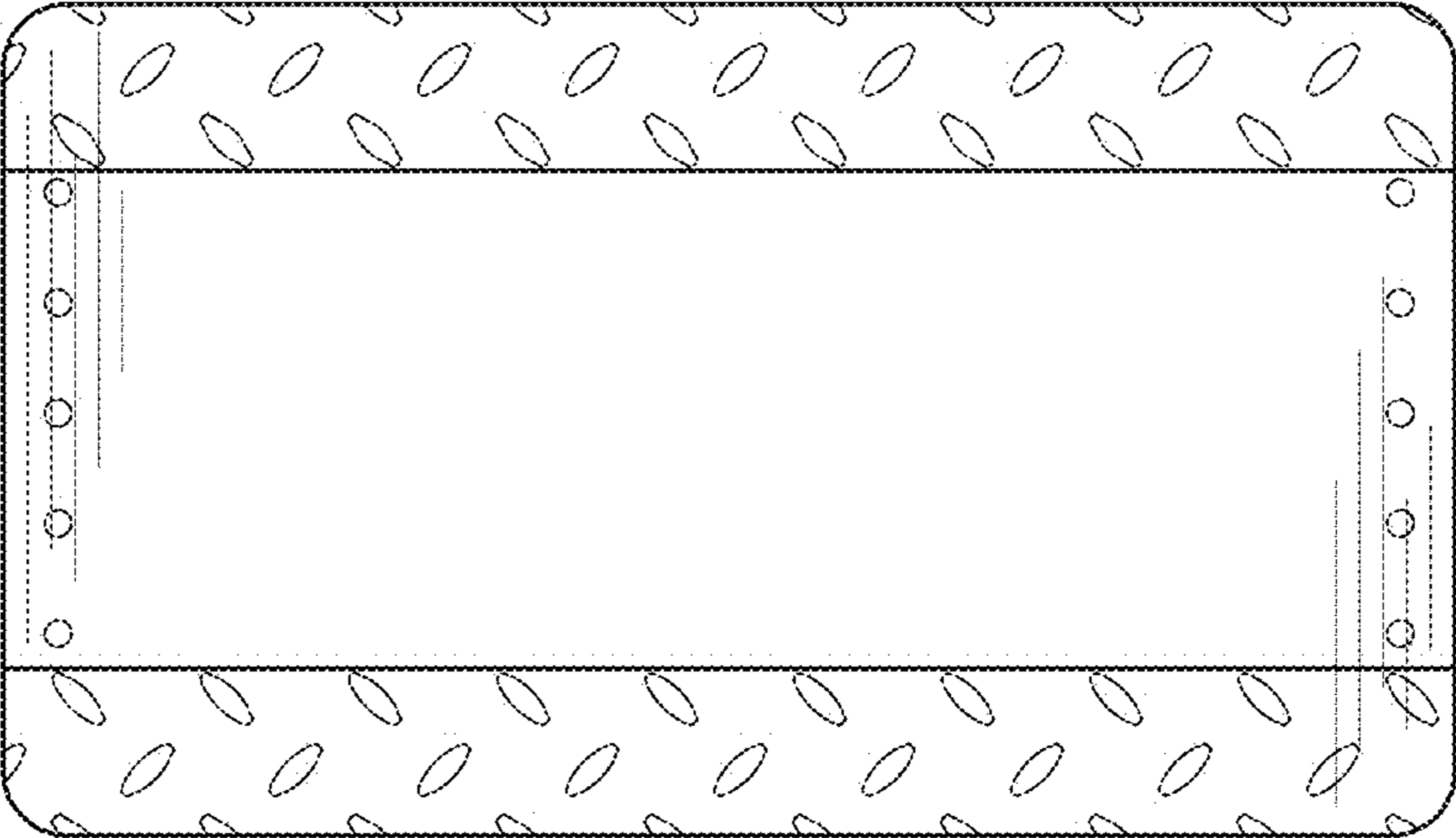


FIG. 2

UNITED STATES PATENT AND TRADEMARK OFFICE  
**CERTIFICATE OF CORRECTION**

PATENT NO. : D701,899 S  
APPLICATION NO. : 29/438767  
DATED : April 1, 2014  
INVENTOR(S) : Nathan D. Ehrlich et al.

Page 1 of 1

It is certified that error appears in the above-identified patent and that said Letters Patent is hereby corrected as shown below:

Title Page, Item (73) Assignee:

Change "Hoomer TLC, Inc." to -- Homer TLC, Inc. --.

Signed and Sealed this  
Eighth Day of July, 2014



Michelle K. Lee  
*Deputy Director of the United States Patent and Trademark Office*