



US00D701898S

(12) **United States Design Patent**
Nakata et al.

(10) **Patent No.:** **US D701,898 S**
(45) **Date of Patent:** **** Apr. 1, 2014**

(54) **TAPE PRINTING MACHINE**

(71) Applicants: **Yusuke Nakata**, Konan (JP); **Nobuyuki Iwai**, Chita-gun (JP)

(72) Inventors: **Yusuke Nakata**, Konan (JP); **Nobuyuki Iwai**, Chita-gun (JP)

(73) Assignee: **Brother Industries, Ltd.**, Nagoya (JP)

(**) Term: **14 Years**

(21) Appl. No.: **29/448,191**

(22) Filed: **Mar. 11, 2013**

(30) **Foreign Application Priority Data**

Sep. 14, 2012 (JP) 2012-022276

(51) **LOC (10) Cl.** **18-02**

(52) **U.S. Cl.**
USPC **D18/50; D18/19**

(58) **Field of Classification Search**
USPC D18/14, 19, 36-39, 50, 54, 54.1, 55;
D14/420-425, 463-470; 400/613,
400/613.1-613.4, 690.1-690.4, 691-694

See application file for complete search history.

(56) **References Cited**

U.S. PATENT DOCUMENTS

D235,221	S	*	5/1975	Cormier	D18/37
D268,933	S	*	5/1983	Matsushima	D18/36
D277,288	S	*	1/1985	Schlagheck	D18/36
D290,258	S	*	6/1987	Weisz et al.	D18/54
D294,405	S	*	2/1988	Man Yau	D18/50
D303,987	S	*	10/1989	Kato et al.	D18/55
D335,300	S	*	5/1993	Ishii	D18/15
D528,151	S	*	9/2006	Hattori	D18/50
D674,008	S	*	1/2013	Miller et al.	D18/50
D689,542	S	*	9/2013	Klocke et al.	D18/50

* cited by examiner

Primary Examiner — Cathy A MacCormac
(74) *Attorney, Agent, or Firm* — Oliff PLC

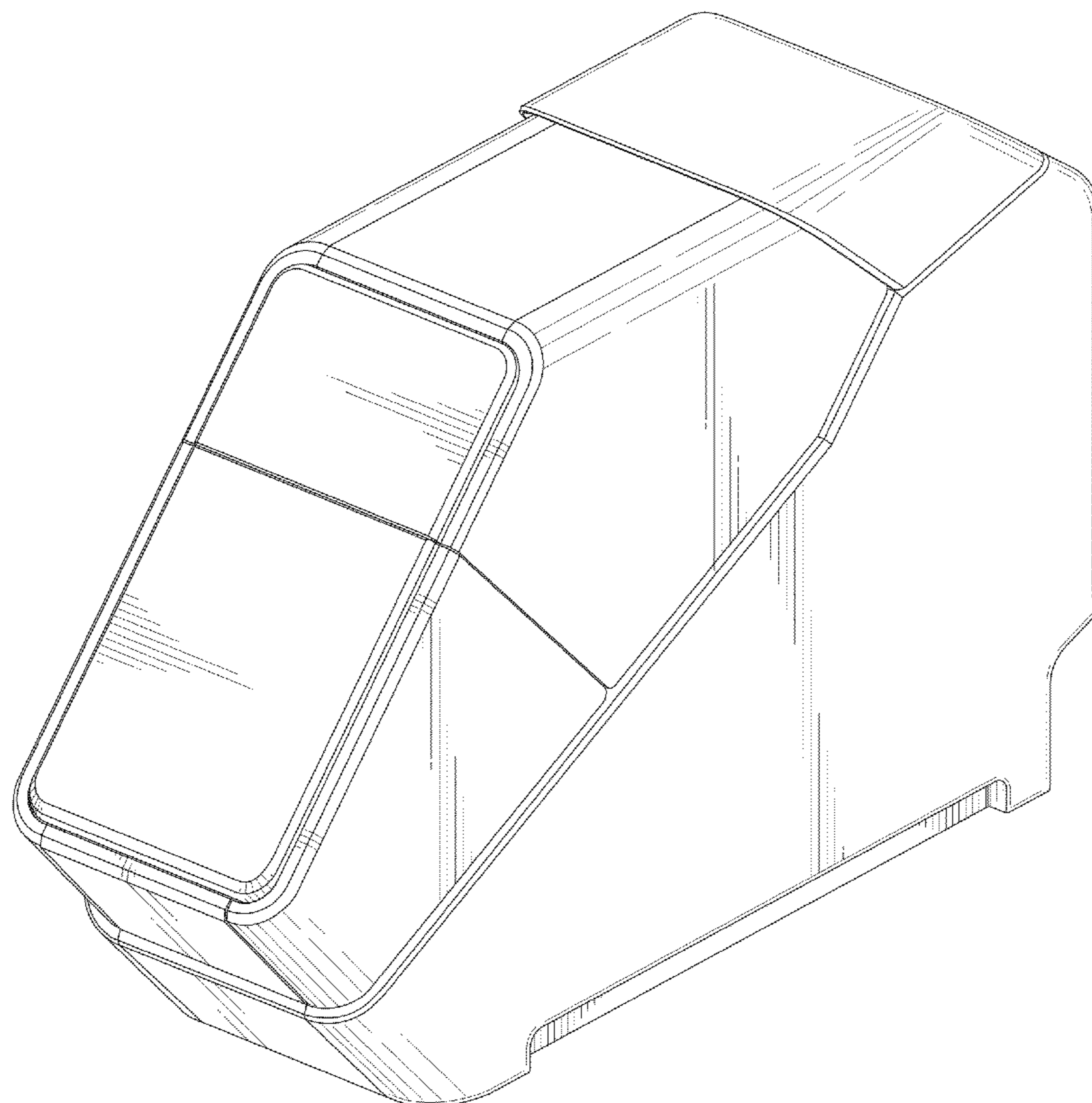
(57) **CLAIM**

The ornamental design for a tape printing machine, as shown and described.

DESCRIPTION

FIG. 1 is a perspective view of a tape printing machine;
FIG. 2 is a front view thereof;
FIG. 3 is a top view thereof;
FIG. 4 is a right-side view thereof;
FIG. 5 is a left-side view thereof;
FIG. 6 is a rear view thereof; and,
FIG. 7 is a bottom view thereof.

1 Claim, 7 Drawing Sheets



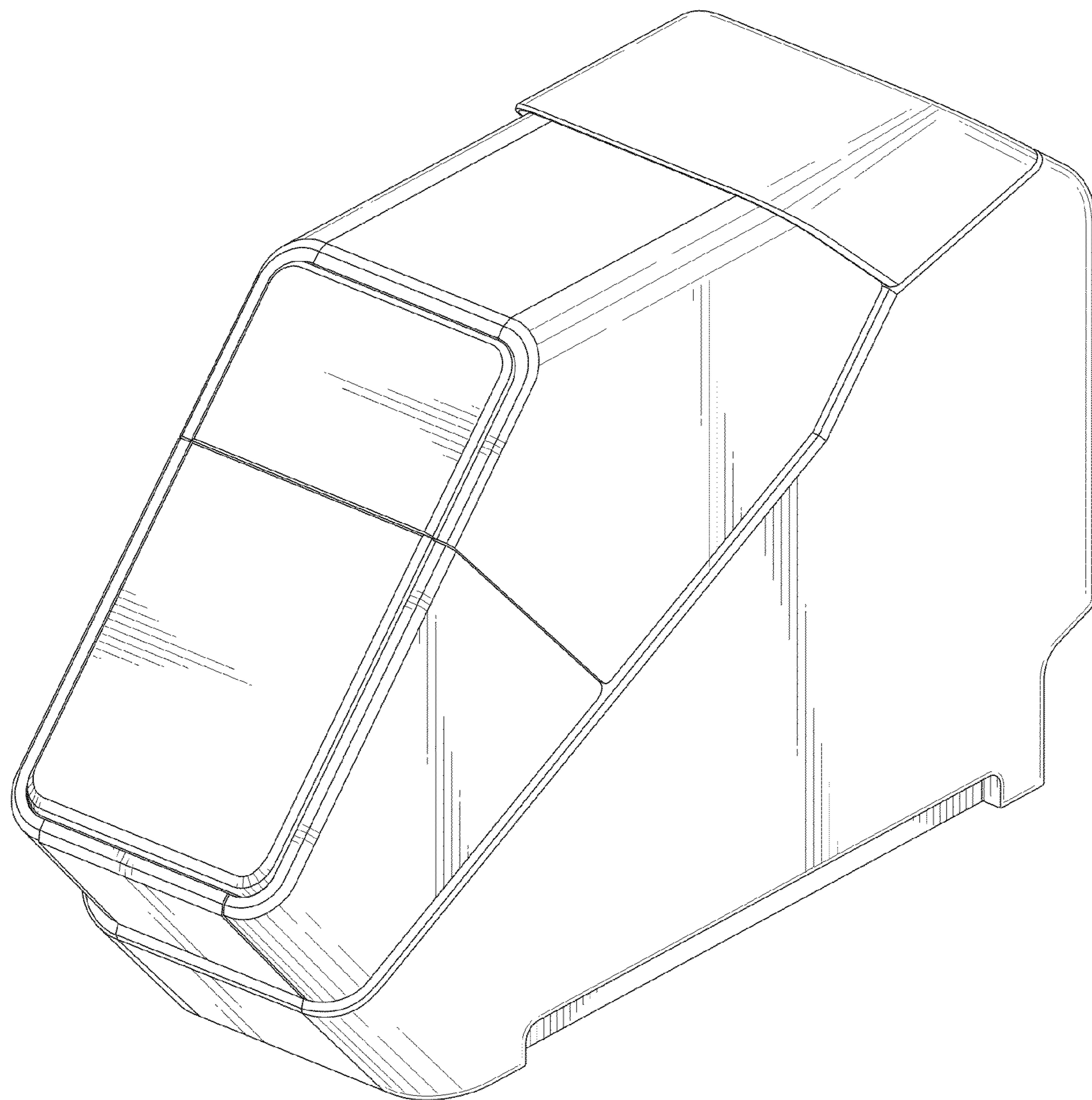


FIG. 1

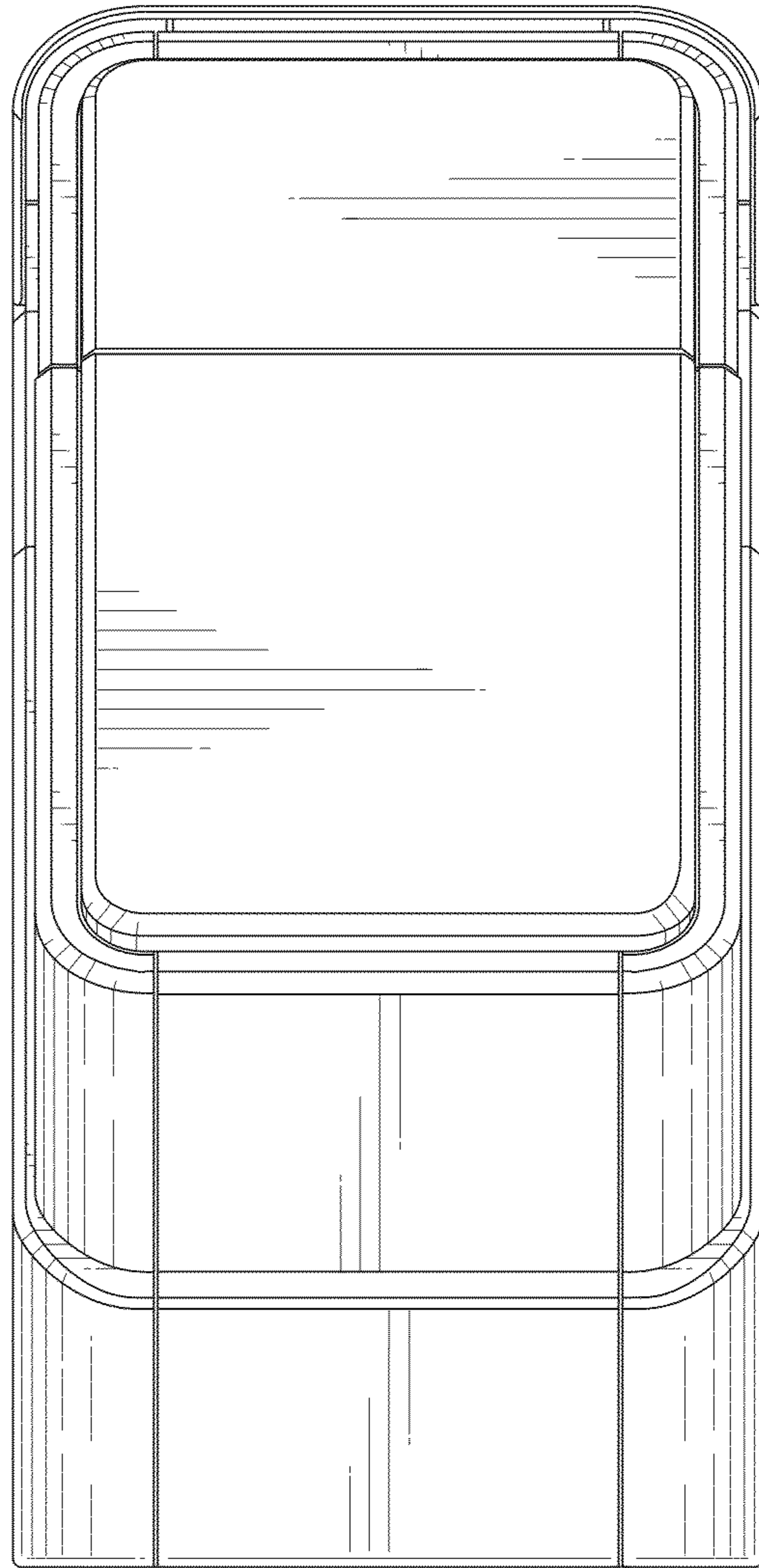


FIG. 2

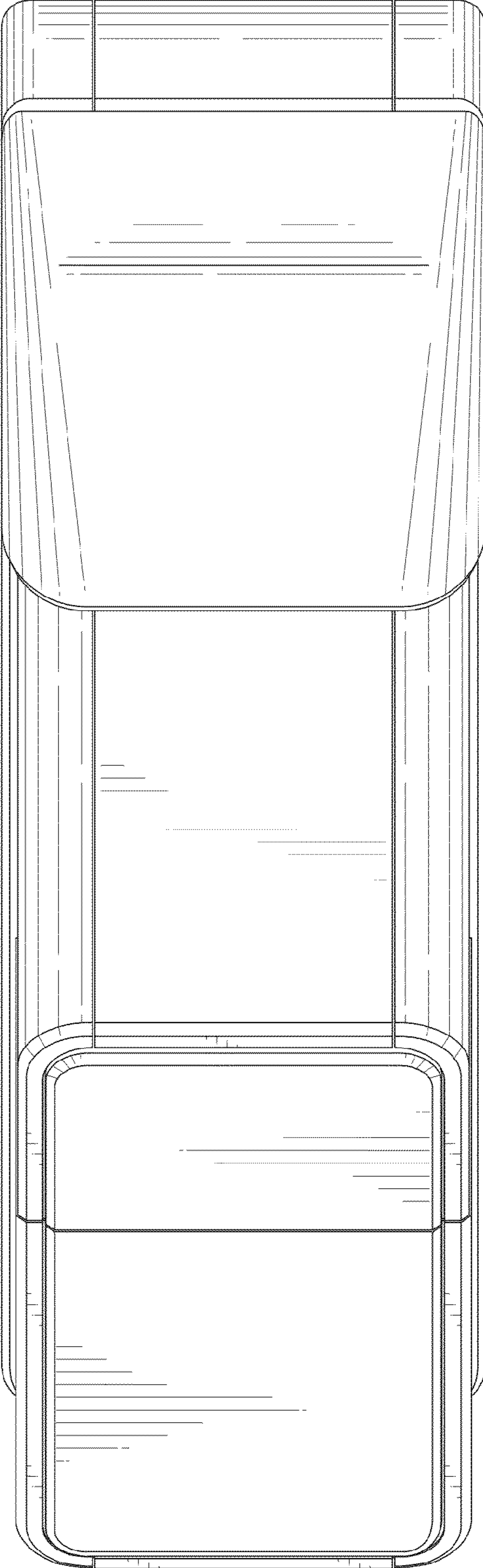


FIG. 3

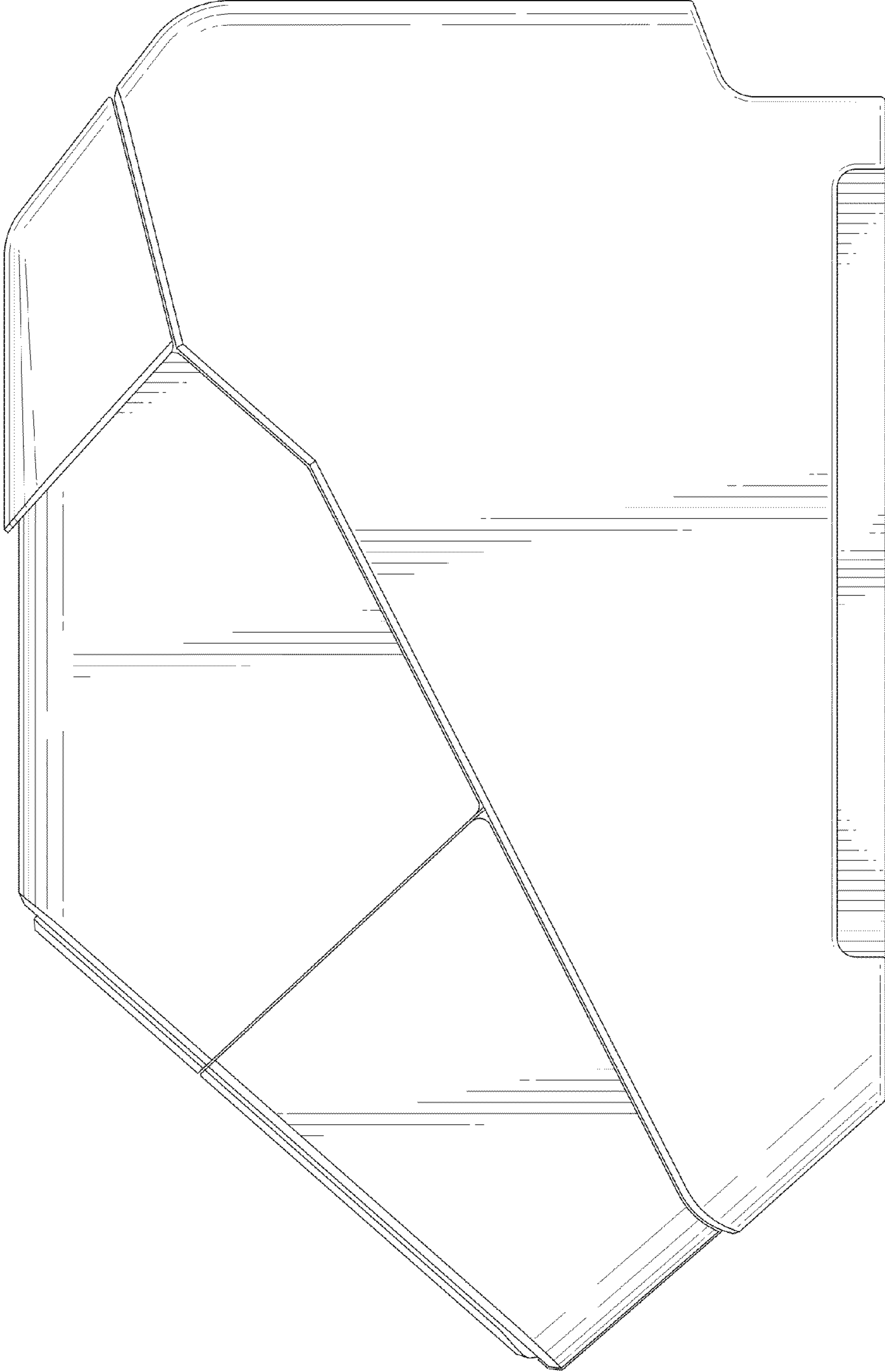


FIG. 4

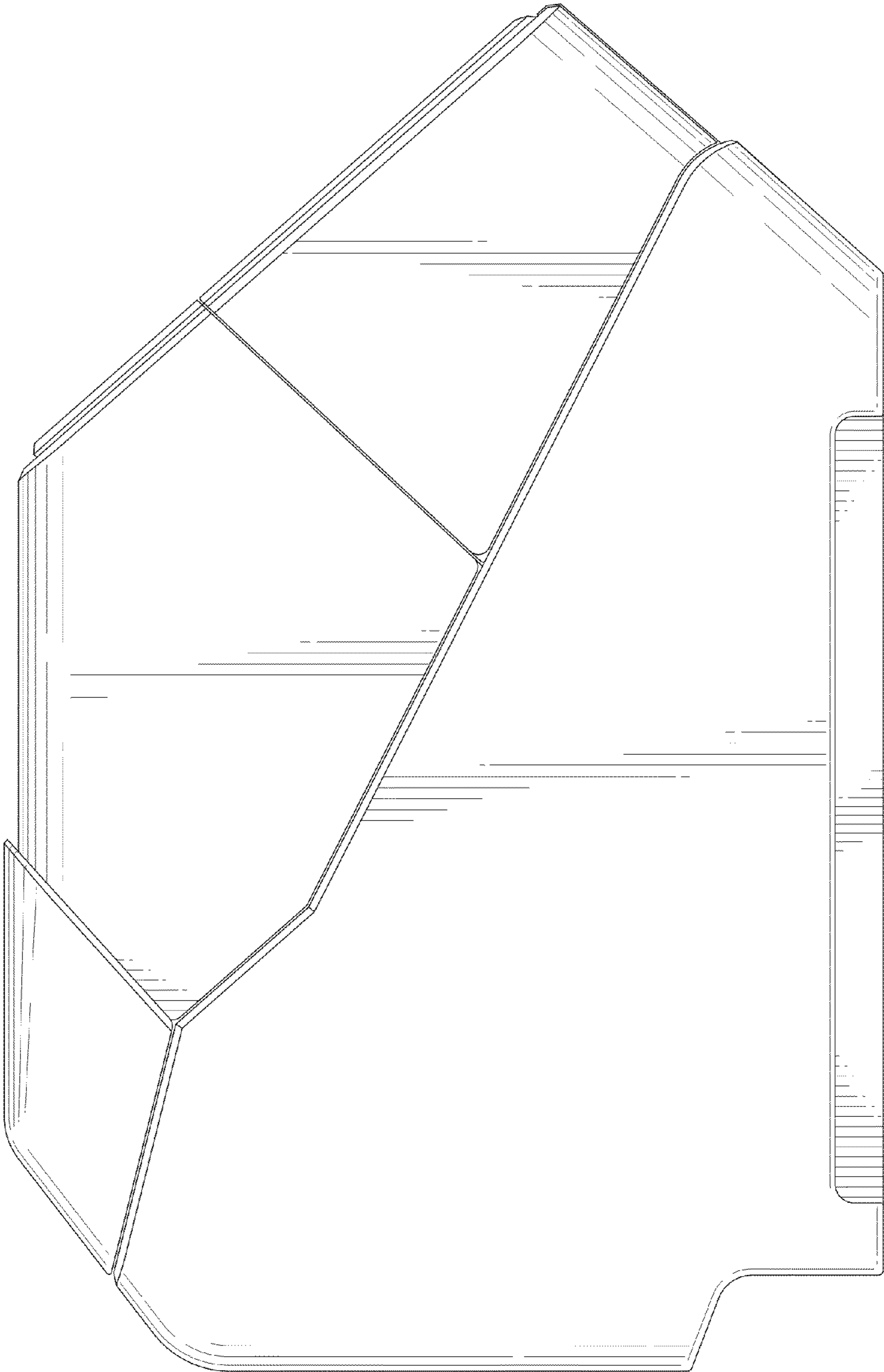


FIG. 5

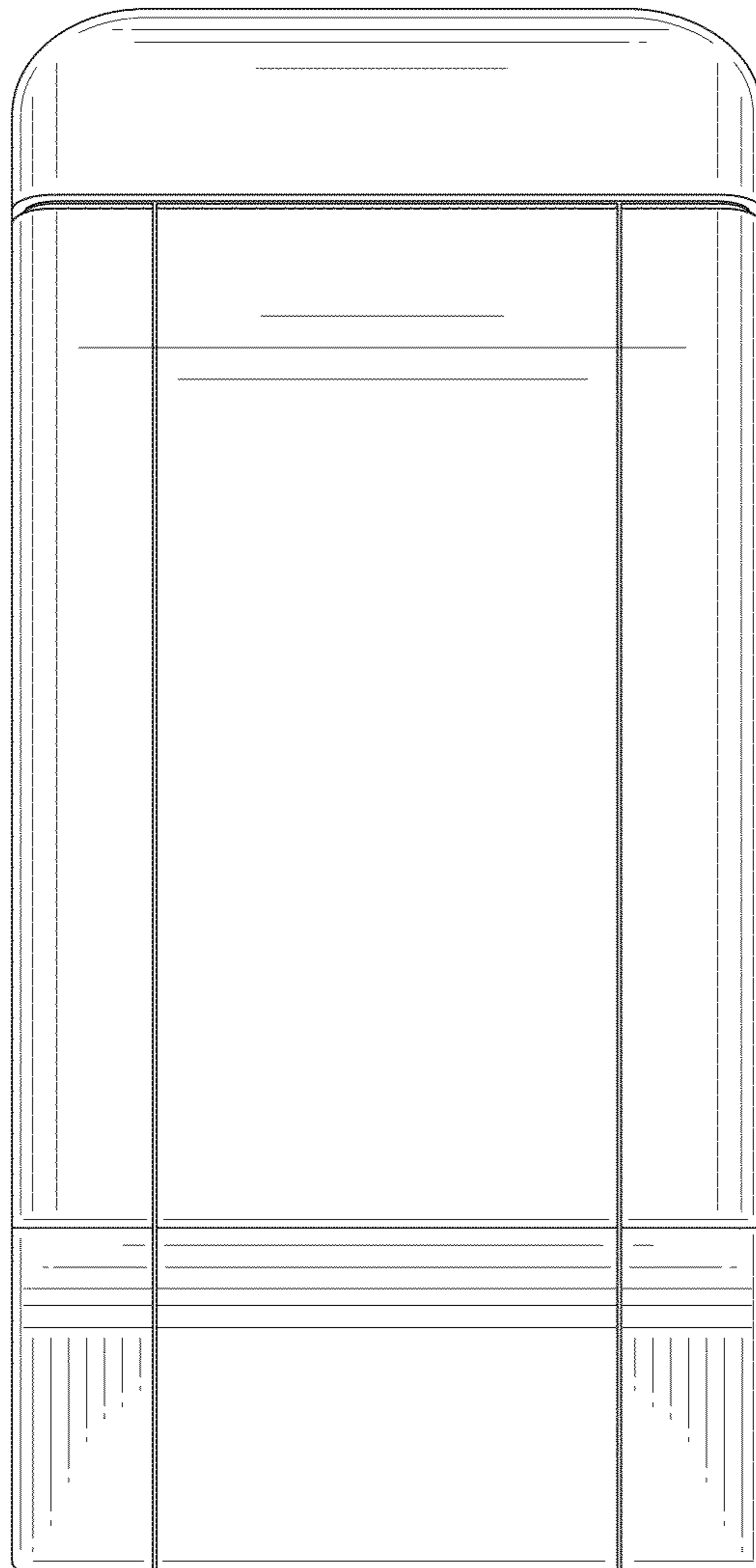


FIG. 6

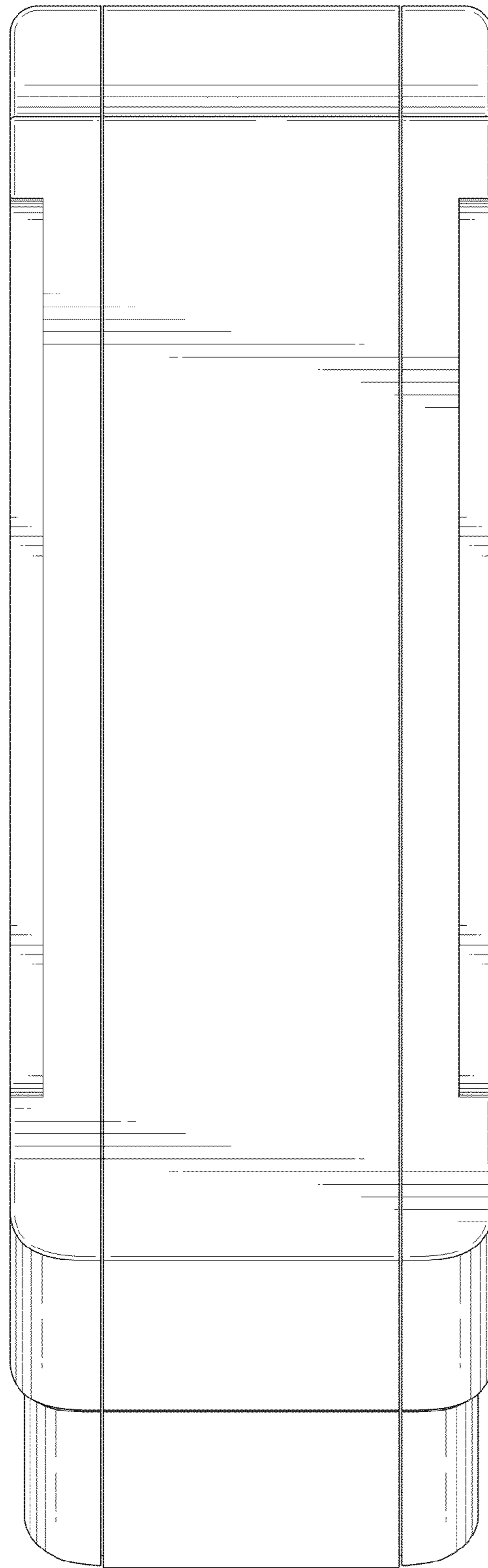


FIG. 7