



US00D701892S

(12) **United States Design Patent**
Jang et al.

(10) **Patent No.:** **US D701,892 S**

(45) **Date of Patent:** **** Apr. 1, 2014**

(54) **DIGITAL CAMERA**

(56) **References Cited**

(71) Applicant: **Samsung Electronics Co., Ltd.**,
Suwon-si (KR)

U.S. PATENT DOCUMENTS

(72) Inventors: **Seung-Ho Jang**, Sungnam-Si (KR);
Man-Ki Ham, Seoul (KR)

6,434,337	B1 *	8/2002	Misawa	358/909.1
D555,689	S *	11/2007	Yoo et al.	D16/202
D556,229	S *	11/2007	Bai	D16/202
D596,214	S *	7/2009	Kim et al.	D16/218
D628,220	S *	11/2010	Lee	D16/202
8,233,082	B2 *	7/2012	Yamamoto	348/375
D681,713	S *	5/2013	Kim et al.	D16/202

(73) Assignee: **Samsung Electronics Co., Ltd.**,
Suwon-si (KR)

* cited by examiner

(**) Term: **14 Years**

Primary Examiner — Adir Aronovich
(74) *Attorney, Agent, or Firm* — NSIP Law

(21) Appl. No.: **29/446,905**

(57) **CLAIM**
The ornamental design for a digital camera, as shown and described.

(22) Filed: **Feb. 28, 2013**

DESCRIPTION

(30) **Foreign Application Priority Data**

Aug. 28, 2012 (KR) 30-2012-0041122

(51) **LOC (10) Cl.** **16-01**

(52) **U.S. Cl.**
USPC **D16/202**

(58) **Field of Classification Search**
USPC D16/200, 202, 204, 208, 218, 219;
348/373–376; 358/909.1; 396/535–541

FIG. 1 is a top, front and right-side perspective view of a digital camera showing my new design;
FIG. 2 is a front elevational view thereof;
FIG. 3 is a rear elevational view thereof;
FIG. 4 is a left side elevational view thereof;
FIG. 5 is a right side elevational view thereof;
FIG. 6 is top plan view thereof;
FIG. 7 is bottom plan view thereof; and,
FIG. 8 is an enlarged view of a lens member, the rest of the camera is omitted for ease of illustration.
The portions of the digital camera in broken lines in FIGS. 1, 2, 3, 4, 5, 6 and 7 are shown to illustrate environment only and form no part of the claimed design.

See application file for complete search history.

1 Claim, 6 Drawing Sheets

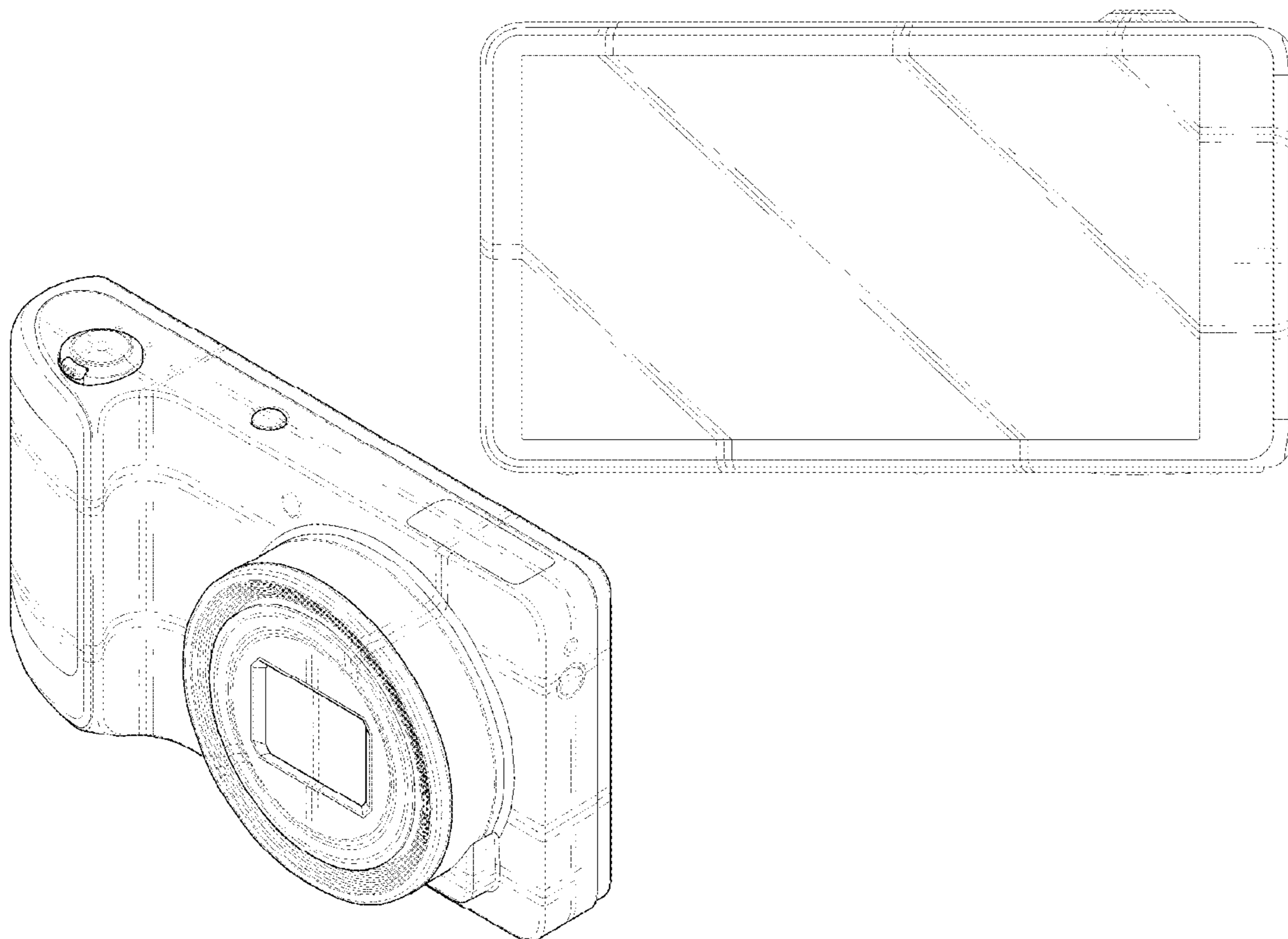


FIG. 1

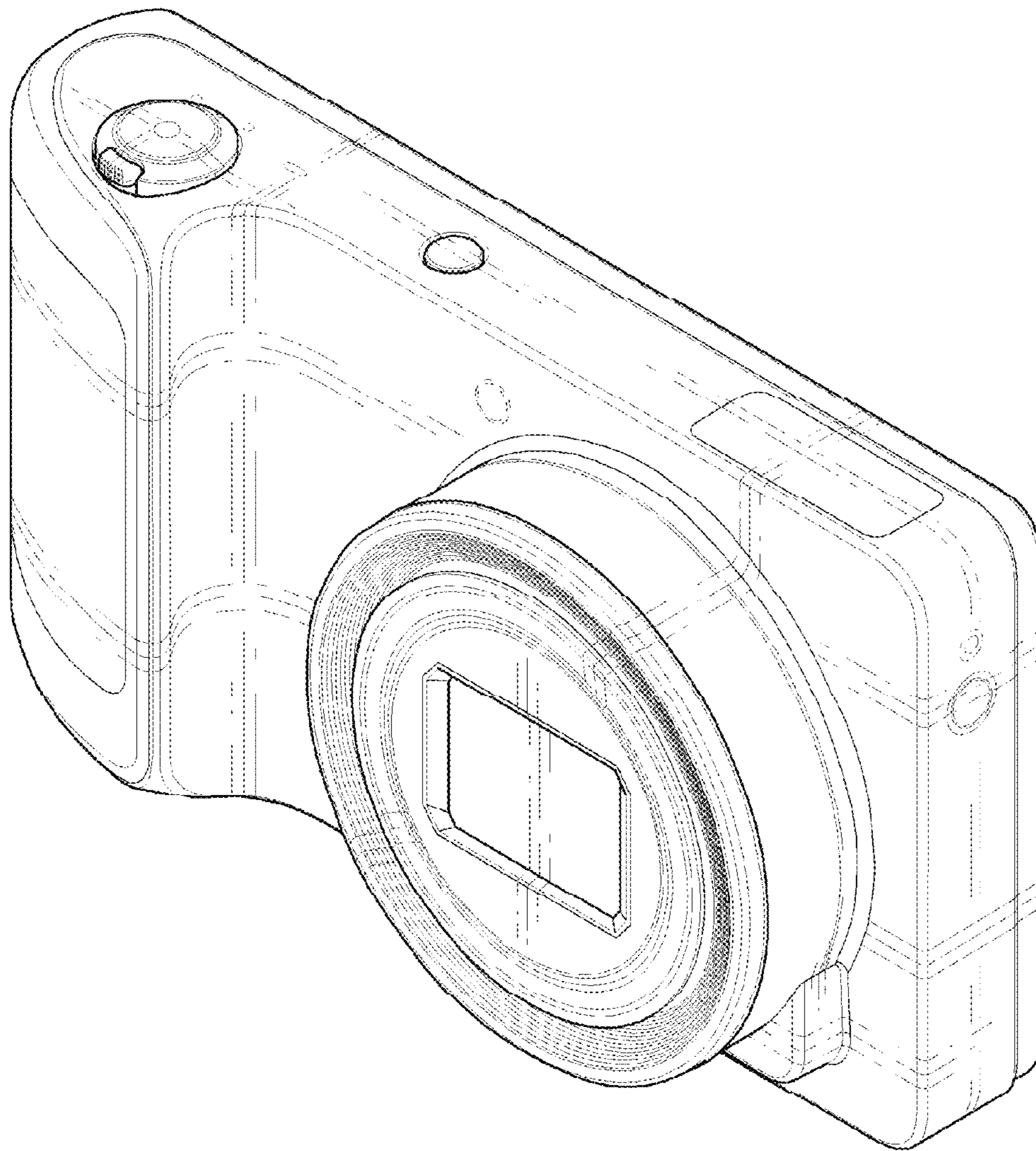


FIG. 2

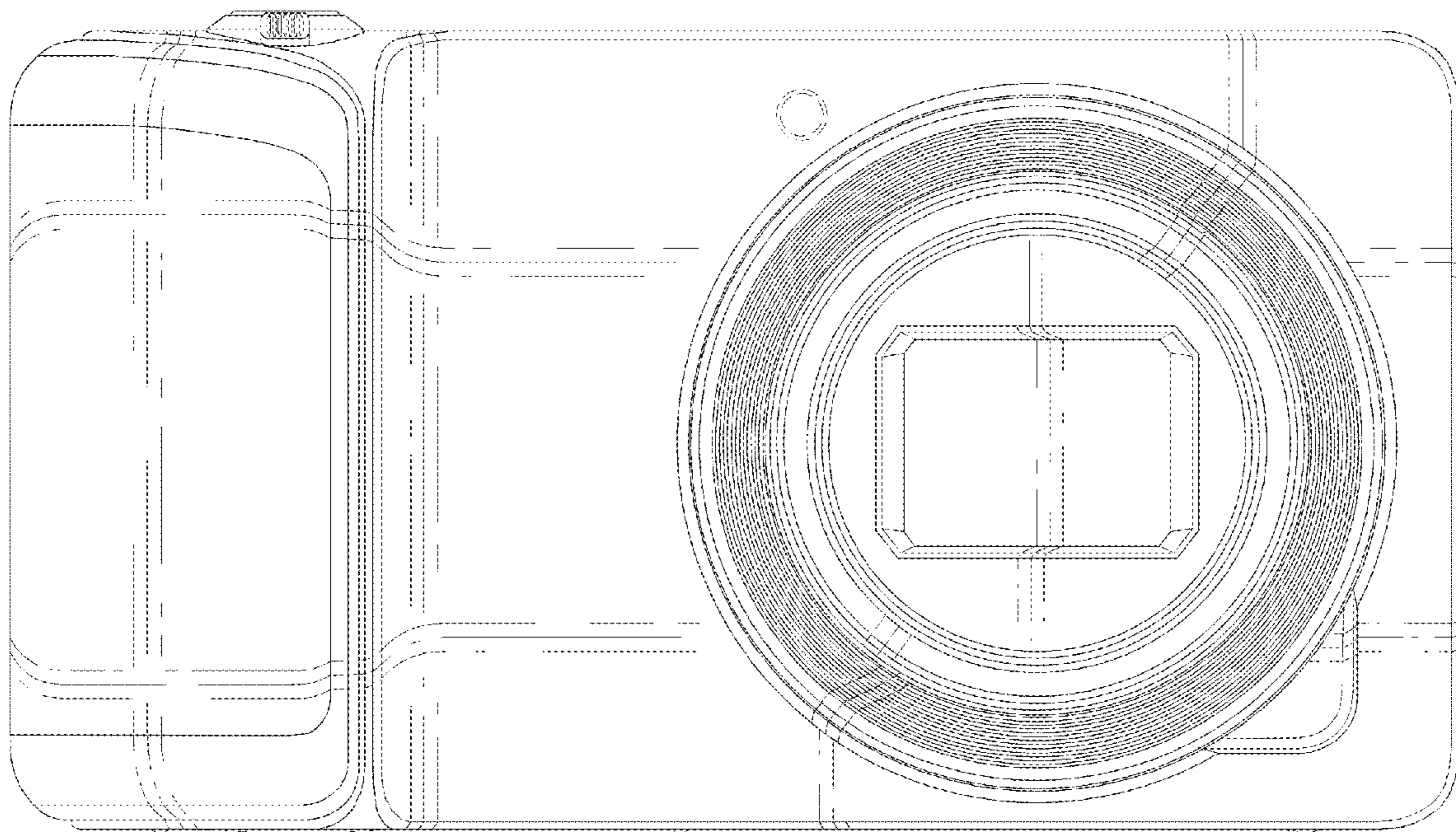


FIG. 3

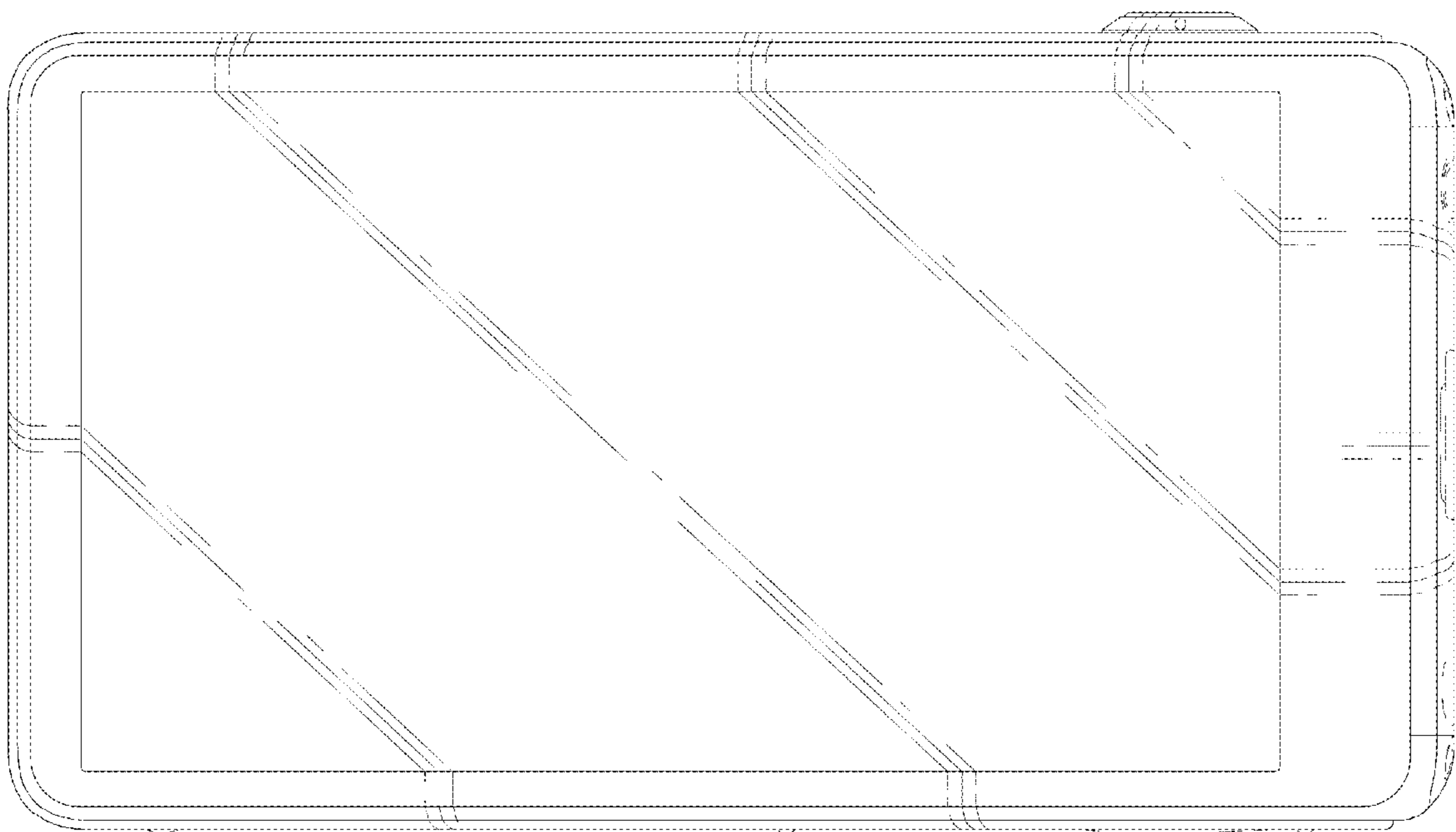


FIG. 4

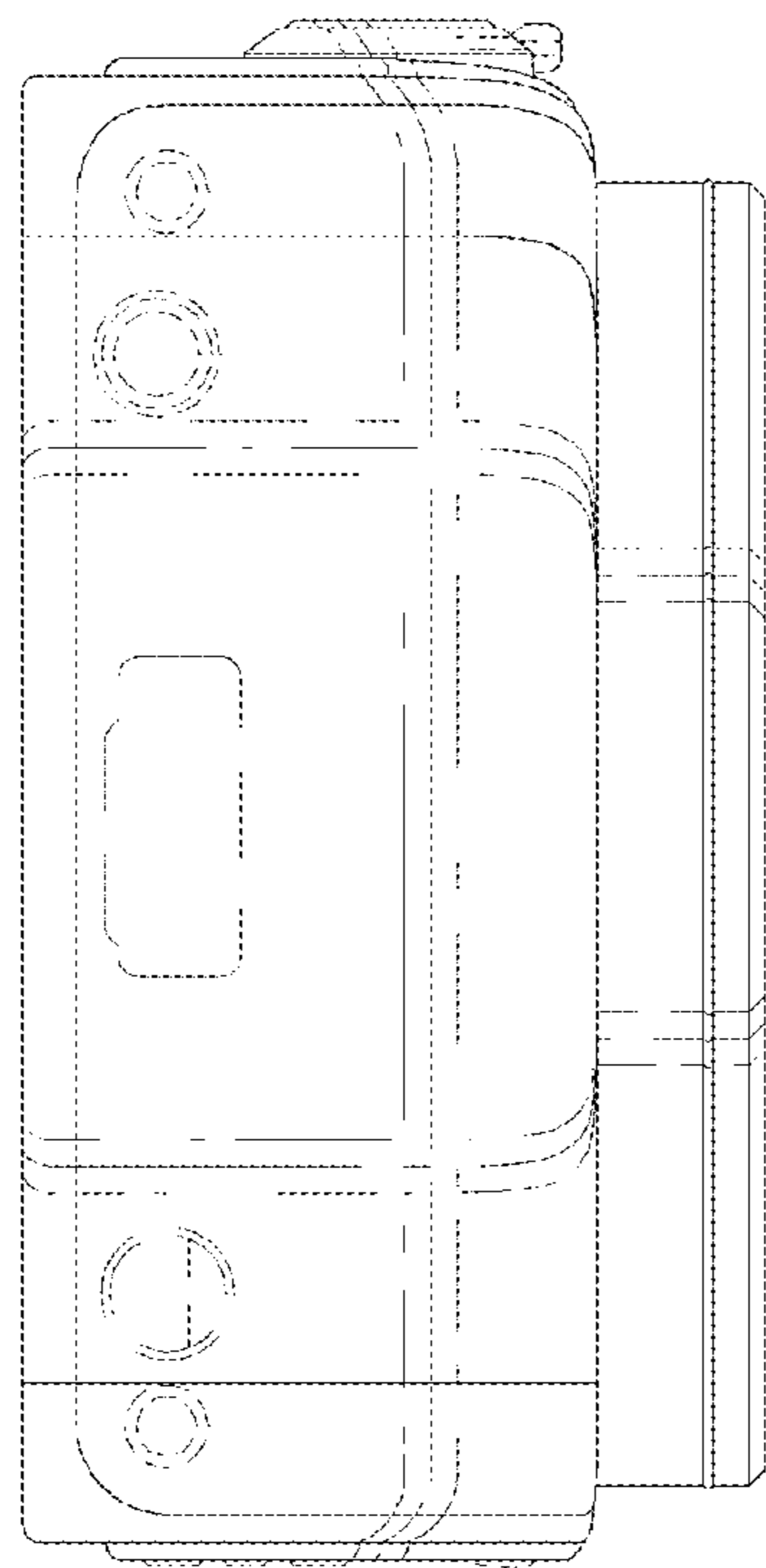


FIG. 5

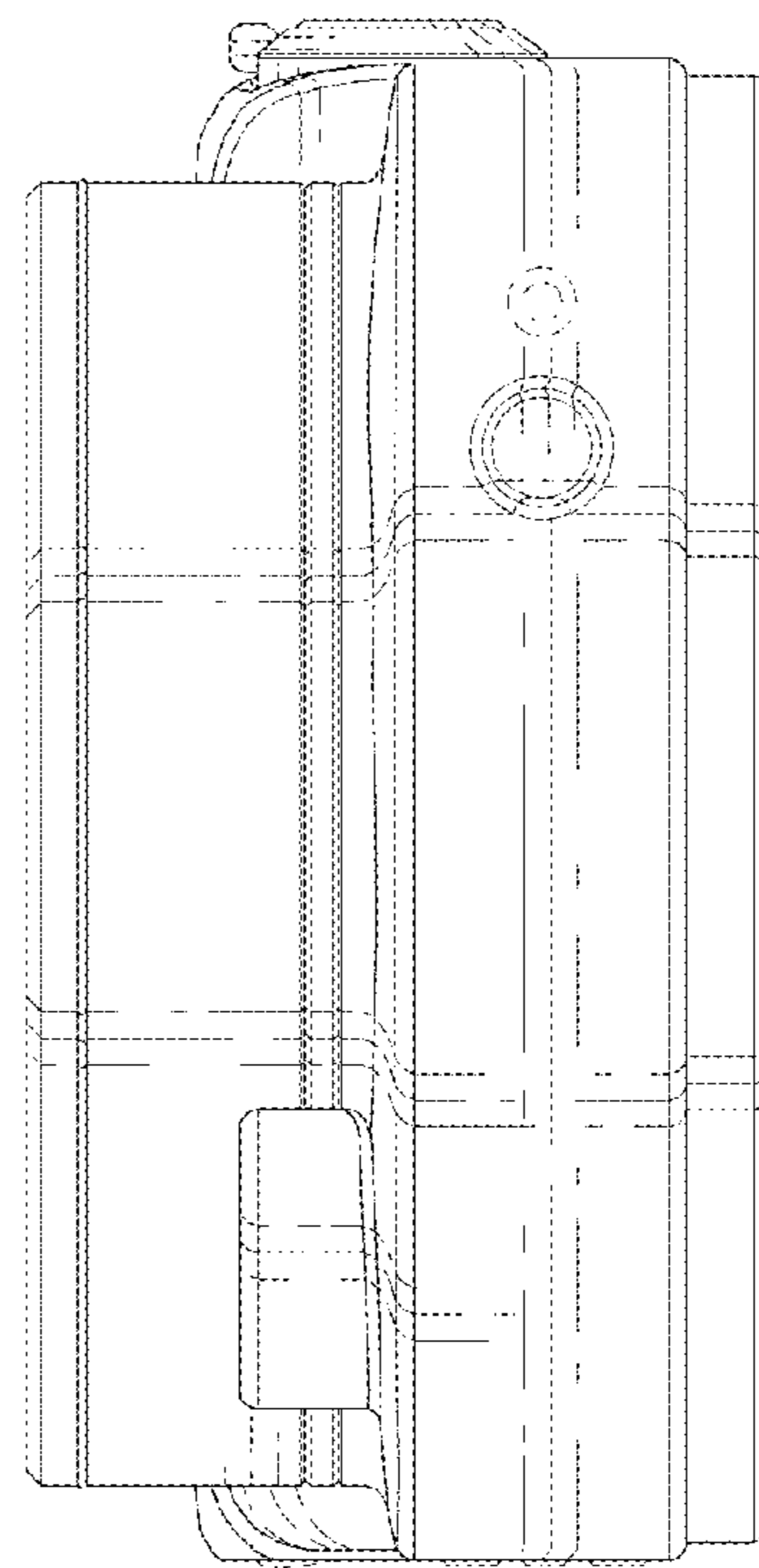


FIG. 6

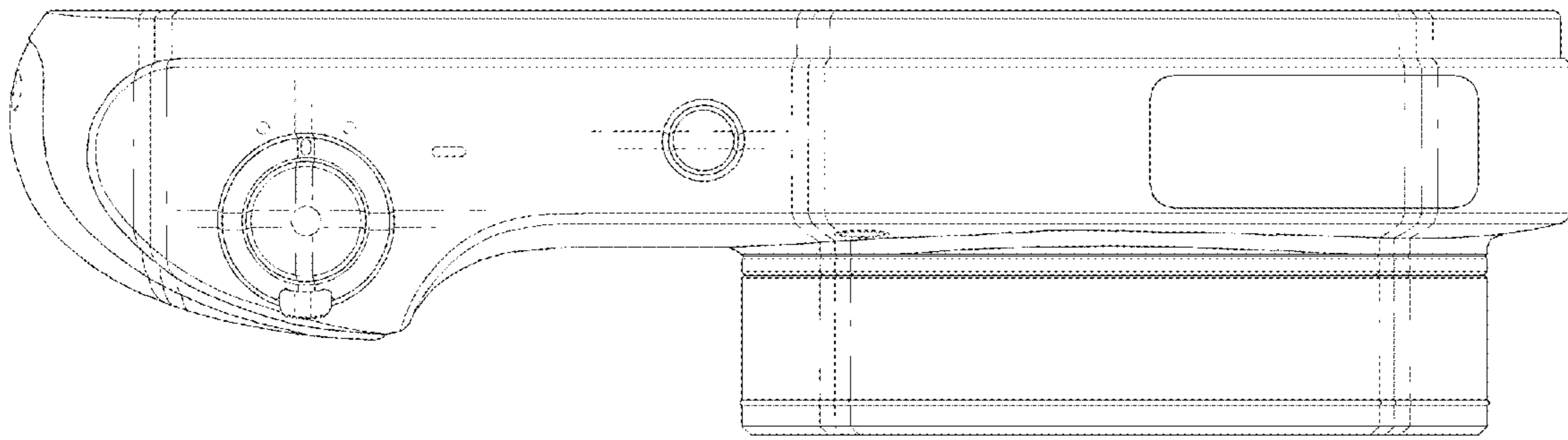


FIG. 7

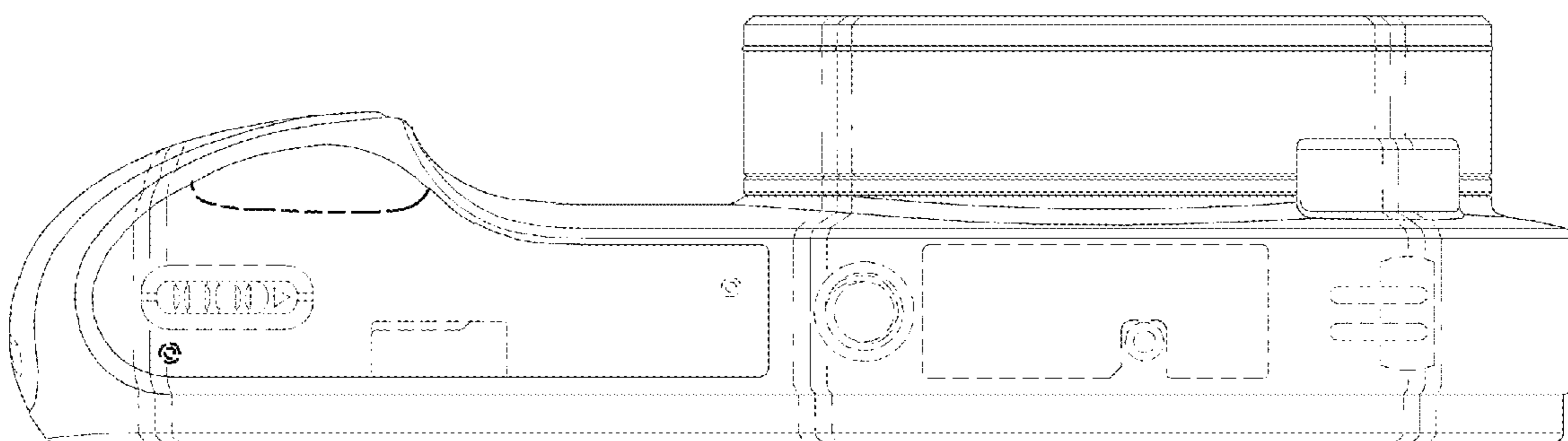


FIG. 8

