

US00D701891S

(12) **United States Design Patent**  
**Clift**

(10) **Patent No.:** **US D701,891 S**  
(45) **Date of Patent:** **\*\* Apr. 1, 2014**

(54) **GRINDING ELEMENT**

(76) Inventor: **Dennis Wayne Clift**, One Tree Hill (AU)

(\*\*) Term: **14 Years**

(21) Appl. No.: **29/357,250**

(22) Filed: **Mar. 9, 2010**

(51) **LOC (10) Cl.** ..... **15-09**

(52) **U.S. Cl.**  
USPC ..... **D15/139**

(58) **Field of Classification Search**

USPC ..... D8/78, 71, 90, 98; D15/124, 126, 138,  
D15/139; D21/485, 488, 499, 500, 503,  
D21/504; D25/103, 113-118; 83/589, 676,  
83/863; 407/112-119; 451/548-551

See application file for complete search history.

(56) **References Cited**

**U.S. PATENT DOCUMENTS**

1,954,560	A *	4/1934	Cunningham	.....	451/541
D379,640	S *	6/1997	Gilbert	.....	D18/56
D393,335	S *	4/1998	Bailey	.....	D1/199
5,782,682	A *	7/1998	Han et al.	.....	451/548
D420,465	S *	2/2000	Cascio	.....	D28/8.1
7,066,795	B2 *	6/2006	Balagani et al.	.....	451/285
D592,684	S *	5/2009	Park	.....	D15/126
D631,226	S *	1/2011	Bearson et al.	.....	D1/129
7,976,144	B2 *	7/2011	Esplin et al.	.....	347/88
2003/0139128	A1 *	7/2003	Spangenberg et al.	.....	451/548
2005/0164620	A1 *	7/2005	Amamoto	.....	451/548
2006/0009134	A1 *	1/2006	Katayama	.....	451/41
2009/0304999	A1 *	12/2009	Fascio	.....	428/159

**OTHER PUBLICATIONS**

<http://www.levetec.com/Diacretepads.htm>.  
<http://www.htc-floorsystems.com/en/Products/Tools/Metal/EZSFSeries.aspx>.  
<http://www.htc-floorsystems.com/en/Products/Tools/Metal/EZCS-Series.aspx>.  
[www.blastrac.com](http://www.blastrac.com).

\* cited by examiner

*Primary Examiner* — Patricia Palasik

(57) **CLAIM**

The ornamental design for a grinding element, as shown and described.

**DESCRIPTION**

FIG. 1 is a top plan view of a grinding element in accordance with the present invention;

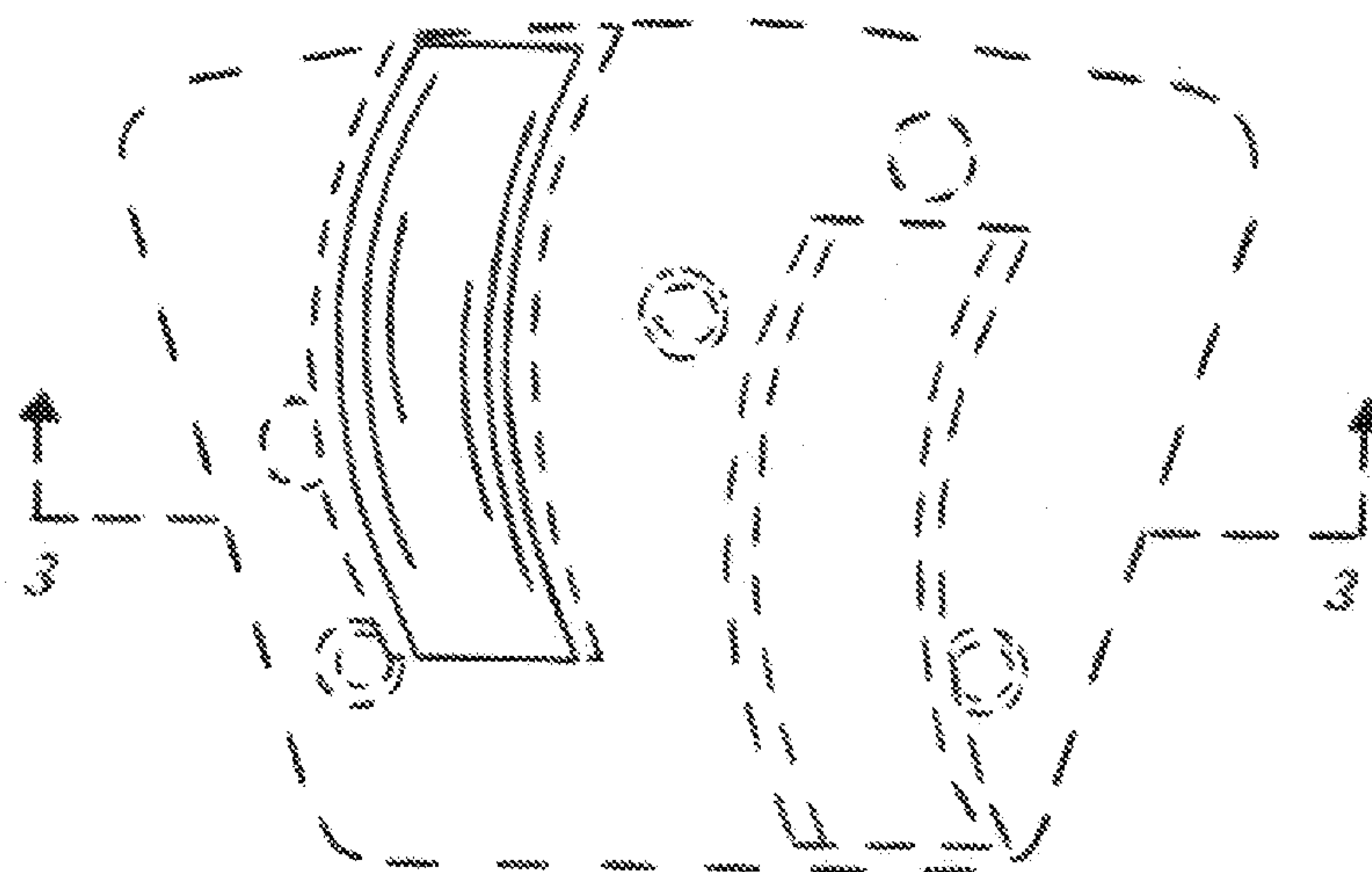
FIG. 2 is a perspective view of the grinding element of FIG. 1;

FIG. 3 is a sectional elevation view of the grinding element taken along line 3-3 of FIG. 1; and,

FIG. 4 is a left side elevation view of the grinding element of FIG. 1.

The evenly dashed broken lines in the drawings depict unclaimed environmental subject matter. The unevenly dashed broken lines in the drawings depict the boundaries of the claimed design and form no part thereof.

**1 Claim, 4 Drawing Sheets**



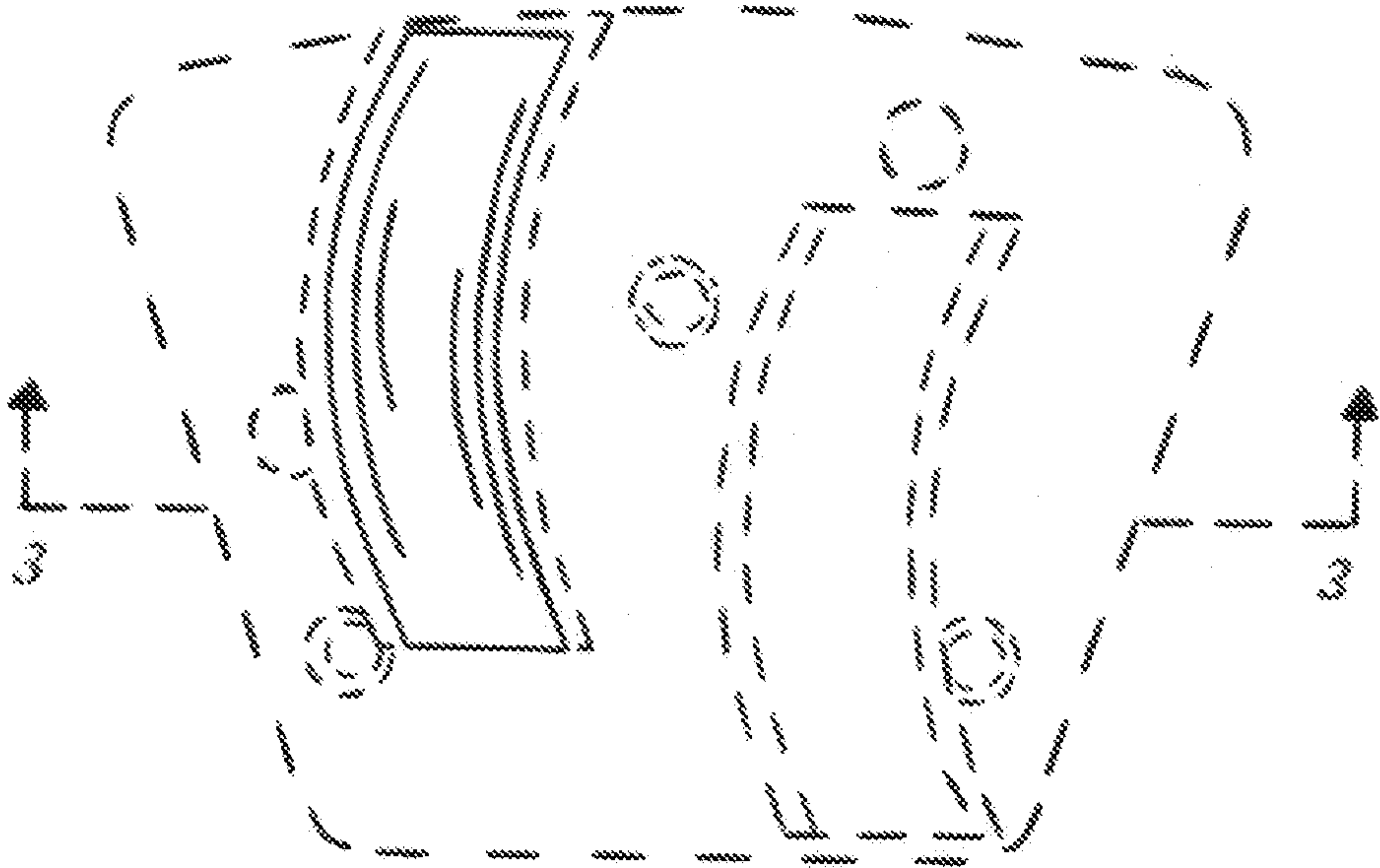
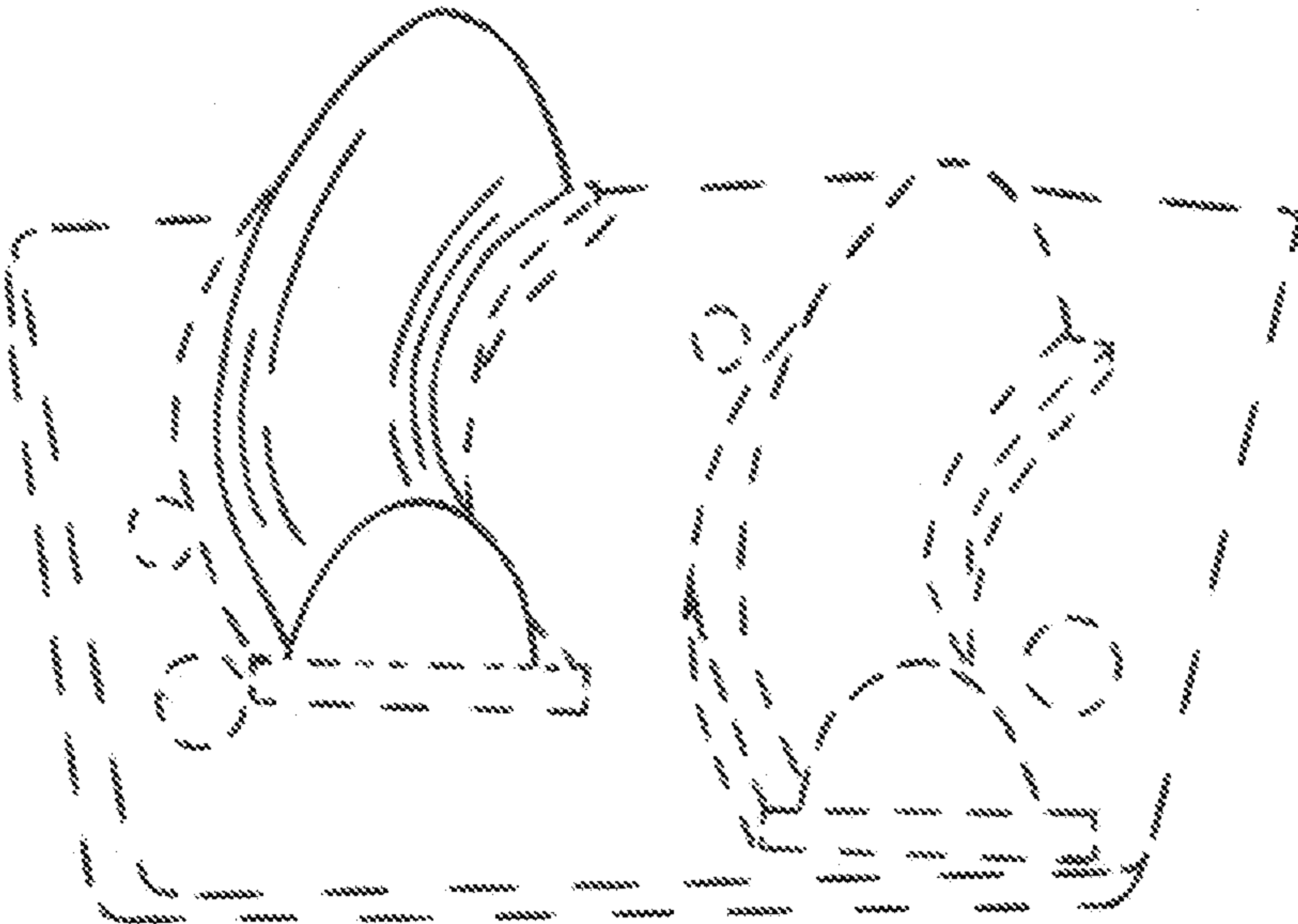


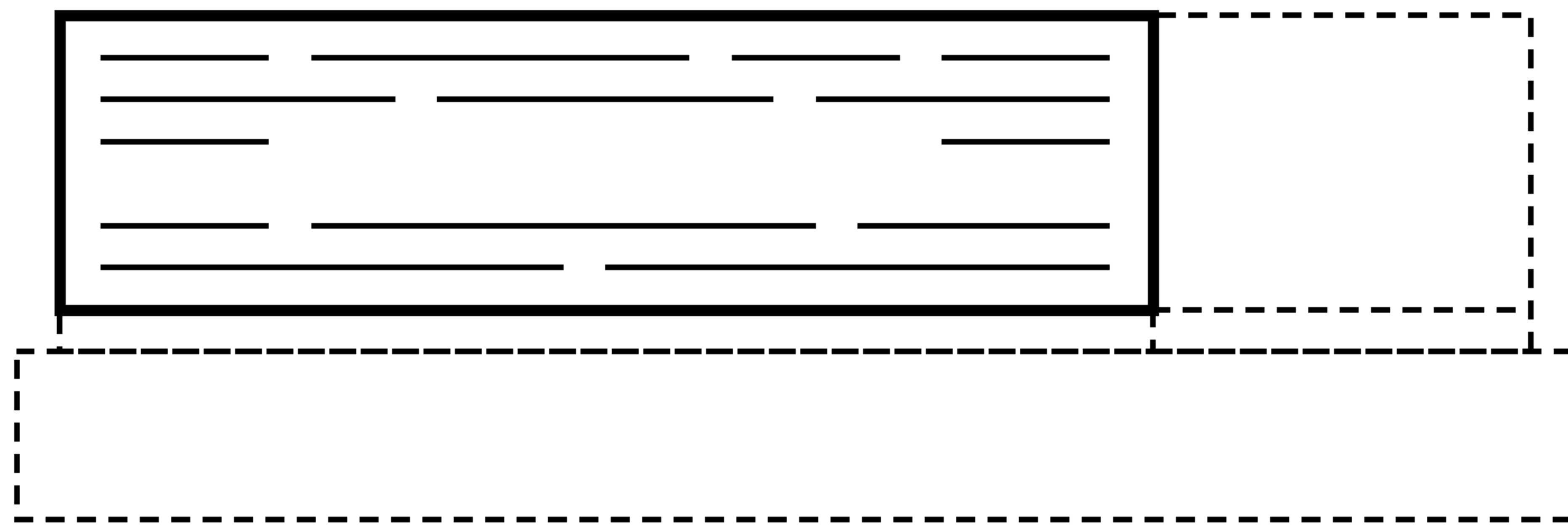
Fig. 1



*Fig. 2*



*Fig. 3*



***Fig. 4***