



US00D701889S

(12) **United States Design Patent**
Wiand et al.

(10) **Patent No.:** **US D701,889 S**

(45) **Date of Patent:** **** Apr. 1, 2014**

(54) **PROFILED ABRASIVE SEGMENT**

(75) Inventors: **Ronald C. Wiand**, Troy, MI (US);
Bruce C. Baker, Troy, MI (US)

(73) Assignee: **Inland Diamond Products Company**,
Madison Heights, MI (US)

(**) Term: **14 Years**

(21) Appl. No.: **29/371,793**

(22) Filed: **Sep. 23, 2011**

(51) **LOC (10) Cl.** **15-09**

(52) **U.S. Cl.**
USPC **D15/124**

(58) **Field of Classification Search**
USPC D15/126; 451/259, 342, 540, 548
See application file for complete search history.

(56) **References Cited**

U.S. PATENT DOCUMENTS

3,524,736	A *	8/1970	Spencer	451/548
D307,056	S *	4/1990	Sakata	D25/114
D492,423	S *	6/2004	Ogawa et al.	D25/113
D508,927	S *	8/2005	Olsen et al.	D15/126
7,000,859	B2 *	2/2006	Tuovinen	241/294
D530,933	S *	10/2006	Vitaro	D6/361
D595,320	S *	6/2009	Park	D15/126
7,806,752	B2 *	10/2010	Jespersen	451/496

D646,309	S *	10/2011	Kilgren	D15/126
2004/0166791	A1 *	8/2004	Tuovinen	451/540
2004/0250897	A1 *	12/2004	Tuovinen	144/218

* cited by examiner

Primary Examiner — Patricia Palasik

(74) *Attorney, Agent, or Firm* — Warn Partners, P.C.

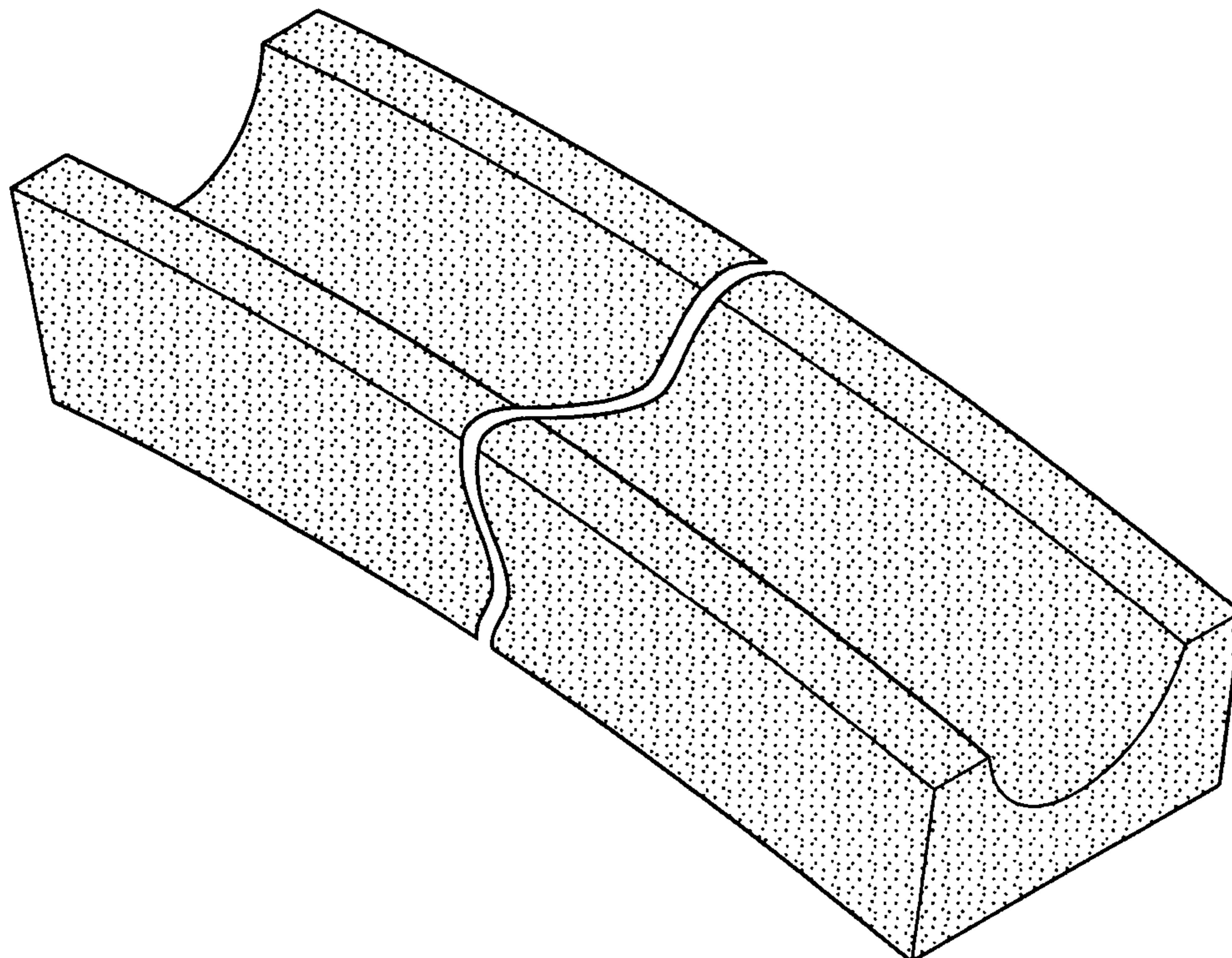
(57) **CLAIM**

The ornamental design for a profiled abrasive segment, as shown and described.

DESCRIPTION

FIG. 1 is a perspective view of a first embodiment of a profiled abrasive segment showing our new design;
 FIG. 2 is a side elevation view of the profiled abrasive segment of FIG. 1, in accordance with the present invention;
 FIG. 3 is a top plan view of the profiled abrasive segment of FIGS. 1-2, in accordance with the present invention;
 FIG. 4 is a bottom plan view of the profiled abrasive segment of FIGS. 1-3, in accordance with the present invention;
 FIG. 5 is a front elevation view of the profiled abrasive segment of FIGS. 1-4, in accordance with the present invention;
 and,
 FIG. 6 is a rear elevation view of the profiled abrasive segment of FIGS. 1-5, in accordance with the present invention.
 The broken away symbols in the drawings indicate that any portion of the article beyond what is shown forms no part of the claimed design.

1 Claim, 2 Drawing Sheets



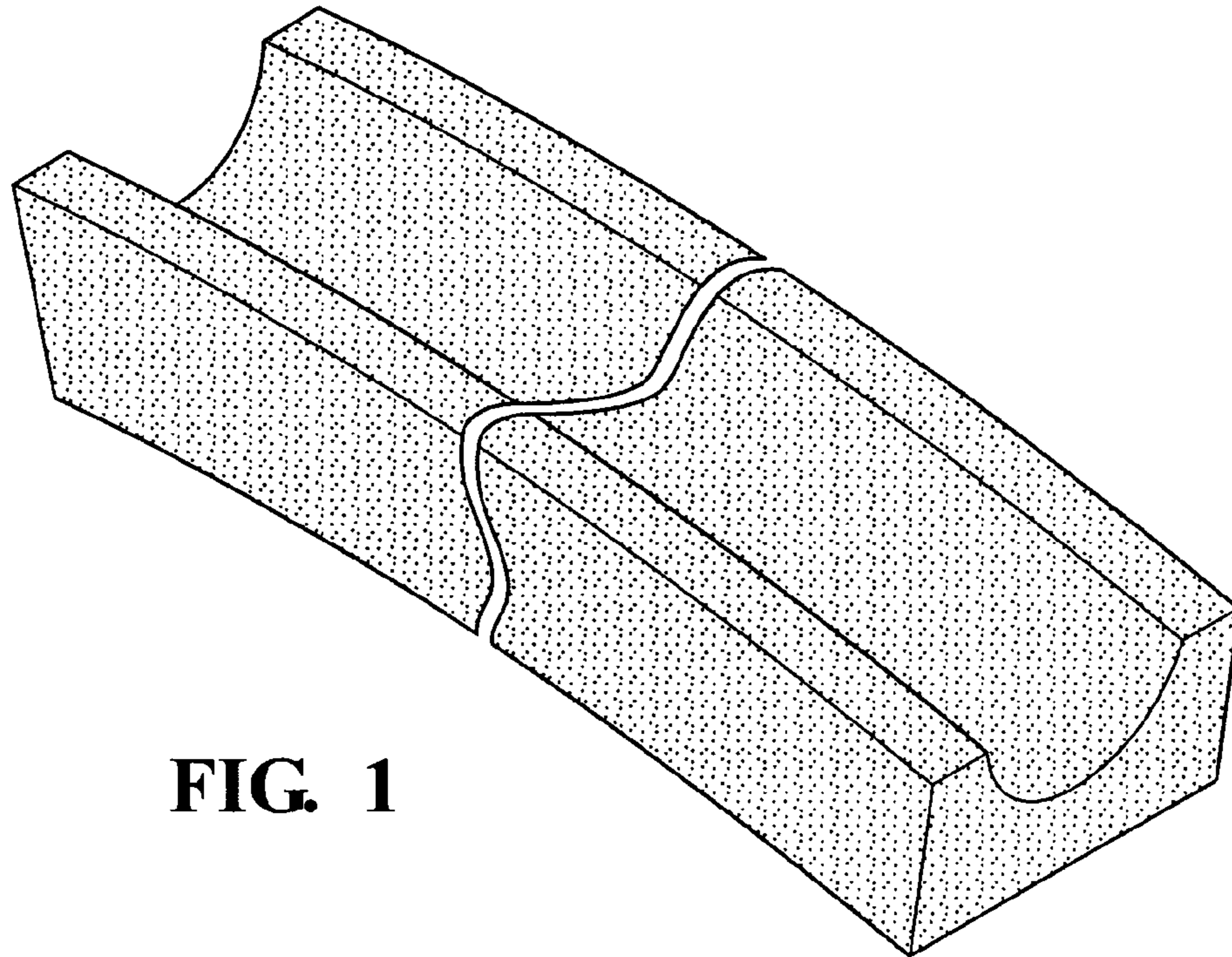


FIG. 1

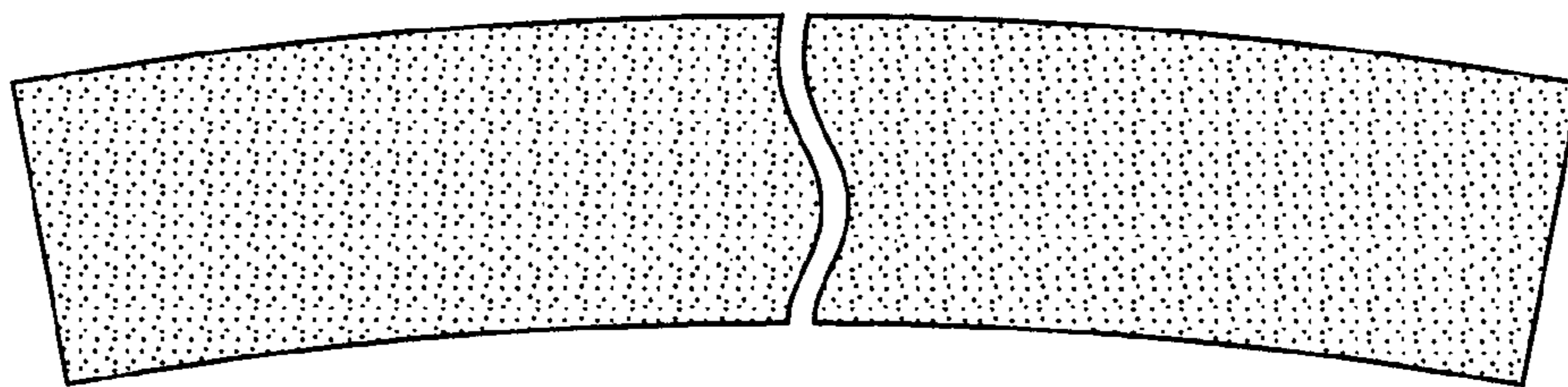


FIG. 2

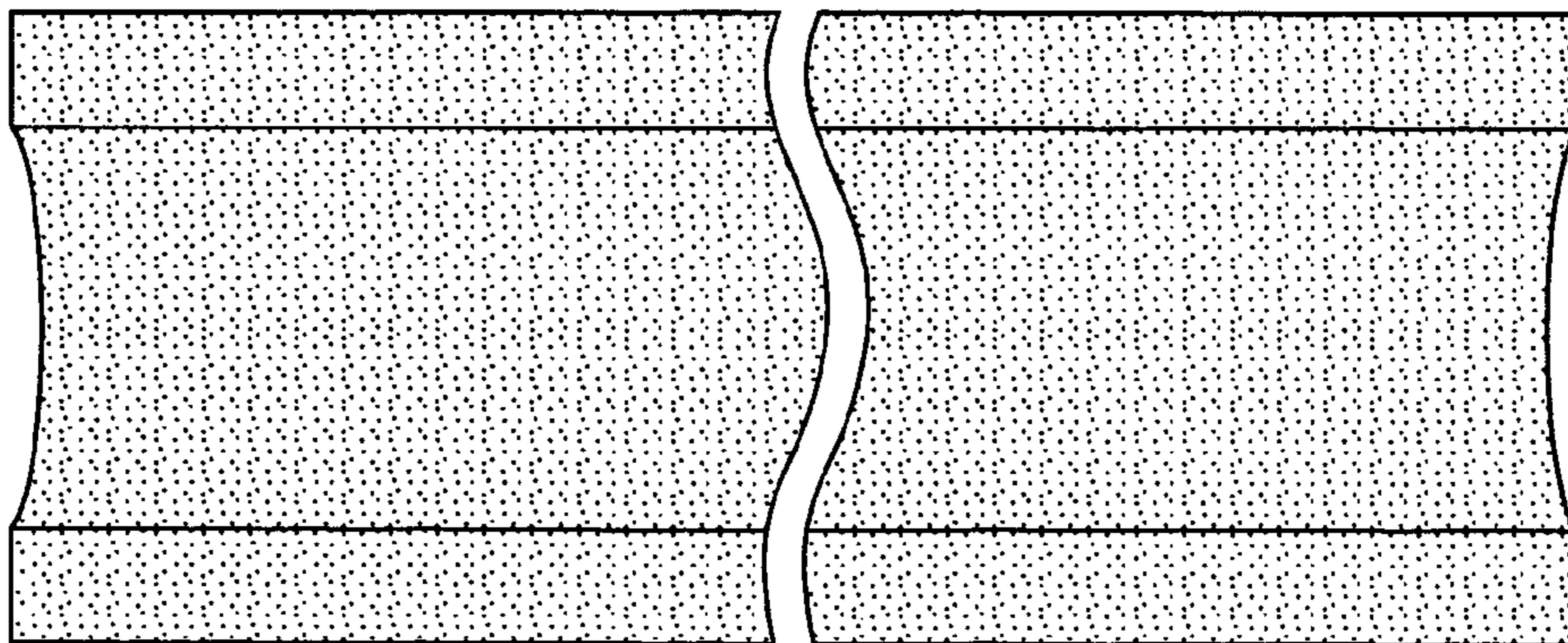


FIG. 3

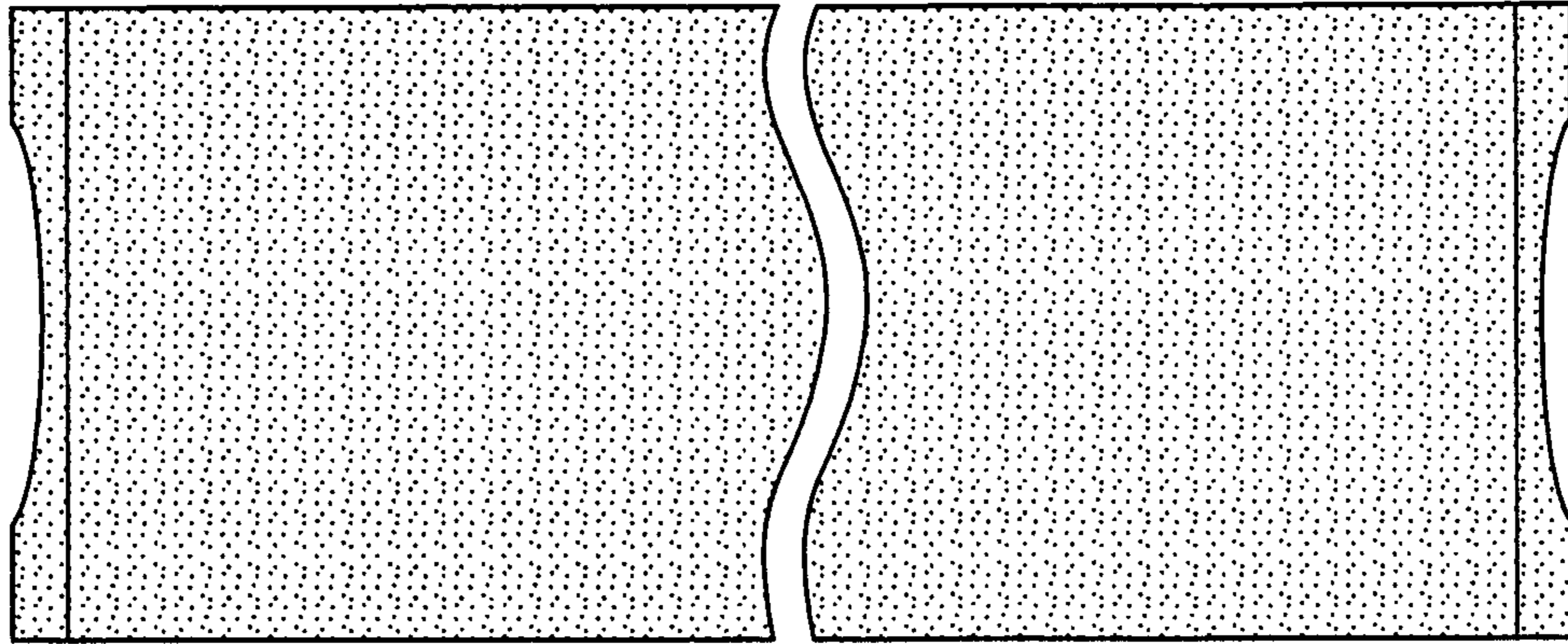


FIG. 4

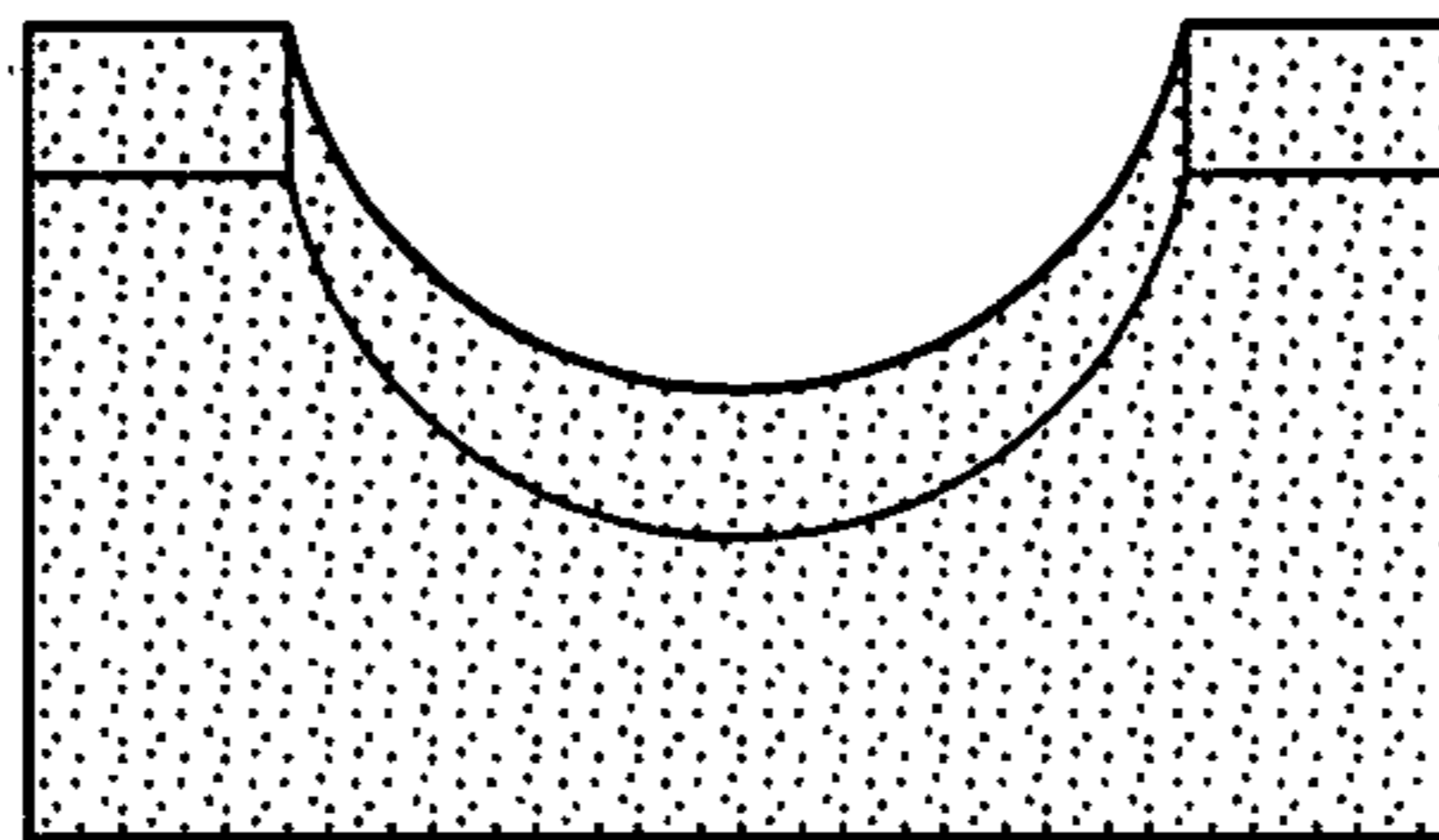


FIG. 5

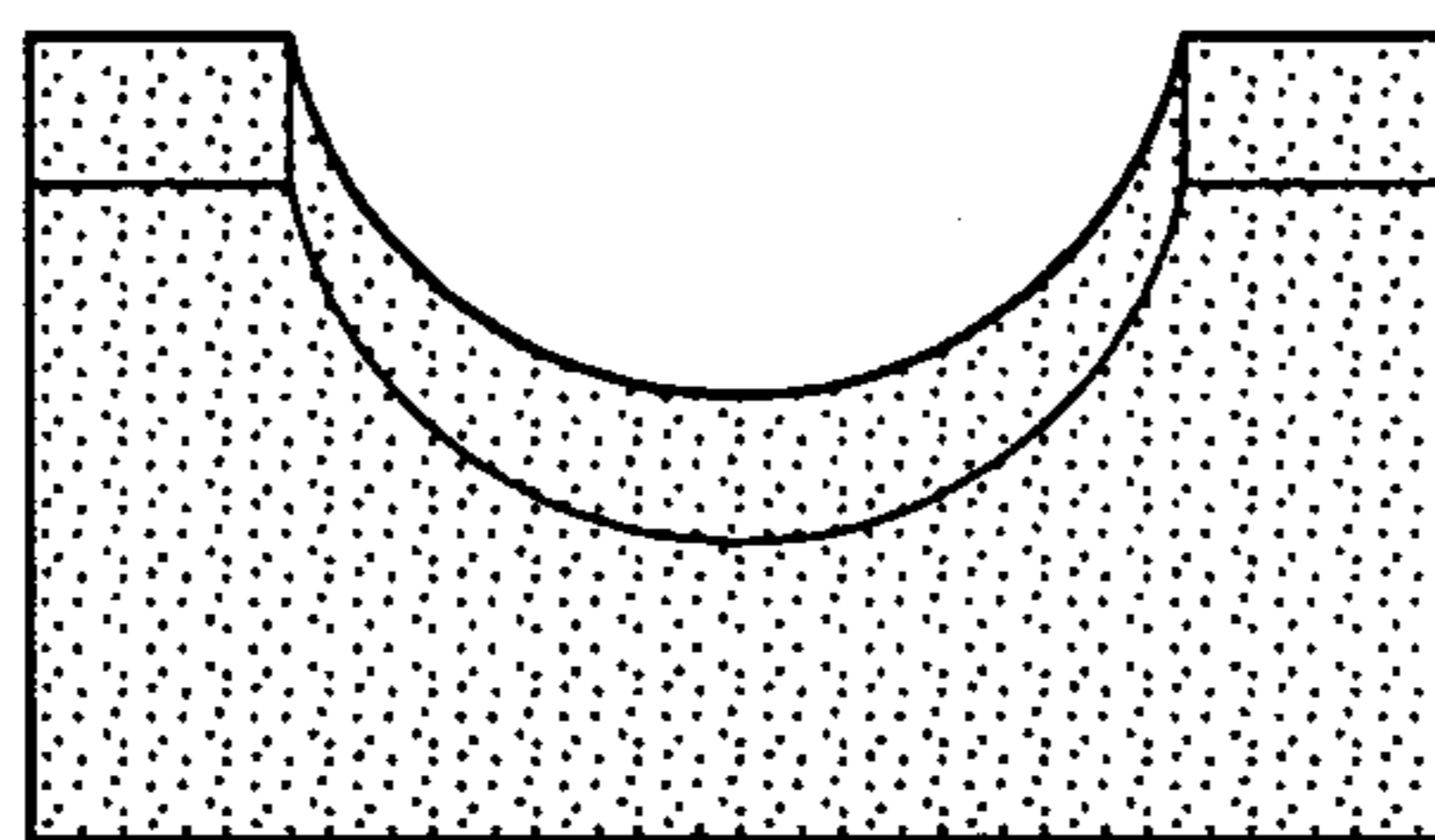


FIG. 6