



US00D701887S

(12) **United States Design Patent**
Haener

(10) **Patent No.:** **US D701,887 S**

(45) **Date of Patent:** **** Apr. 1, 2014**

(54) **INFLATOR**

(71) Applicant: **Brandt A. Haener**, Los Osos, CA (US)

(72) Inventor: **Brandt A. Haener**, Los Osos, CA (US)

(73) Assignee: **Illinois Tool Works Inc.**, Glenview, IL (US)

(**) Term: **14 Years**

(21) Appl. No.: **29/434,069**

(22) Filed: **Oct. 9, 2012**

Related U.S. Application Data

(62) Division of application No. 29/405,189, filed on Oct. 31, 2011, now Pat. No. Des. 668,685.

(51) **LOC (10) Cl.** **15-02**

(52) **U.S. Cl.**
USPC **D15/7**

(58) **Field of Classification Search**
USPC D15/7-9; 417/410.1, 359, 415-416,
417/234, 321, 265, 405; D23/231-232
See application file for complete search history.

(56) **References Cited**

U.S. PATENT DOCUMENTS

D373,774 S 9/1996 Chen
D499,745 S 12/2004 Hsiao

D539,308 S *	3/2007	Moser	D15/9
D549,736 S *	8/2007	Moser, III	D15/9
D588,163 S *	3/2009	Moser et al.	D15/9
D601,591 S	10/2009	Chu		
D614,673 S	4/2010	Chen		
D626,970 S	11/2010	Moser et al.		
D627,370 S	11/2010	Moser et al.		
D629,423 S	12/2010	Varini		
D658,208 S *	4/2012	Moser, III	D15/9
D668,268 S *	10/2012	Haener et al.	D15/9
D668,685 S	10/2012	Haener		
D672,367 S	12/2012	Stansbury et al.		

* cited by examiner

Primary Examiner — Ralf Seifert

(74) *Attorney, Agent, or Firm* — Pauley Petersen & Erickson

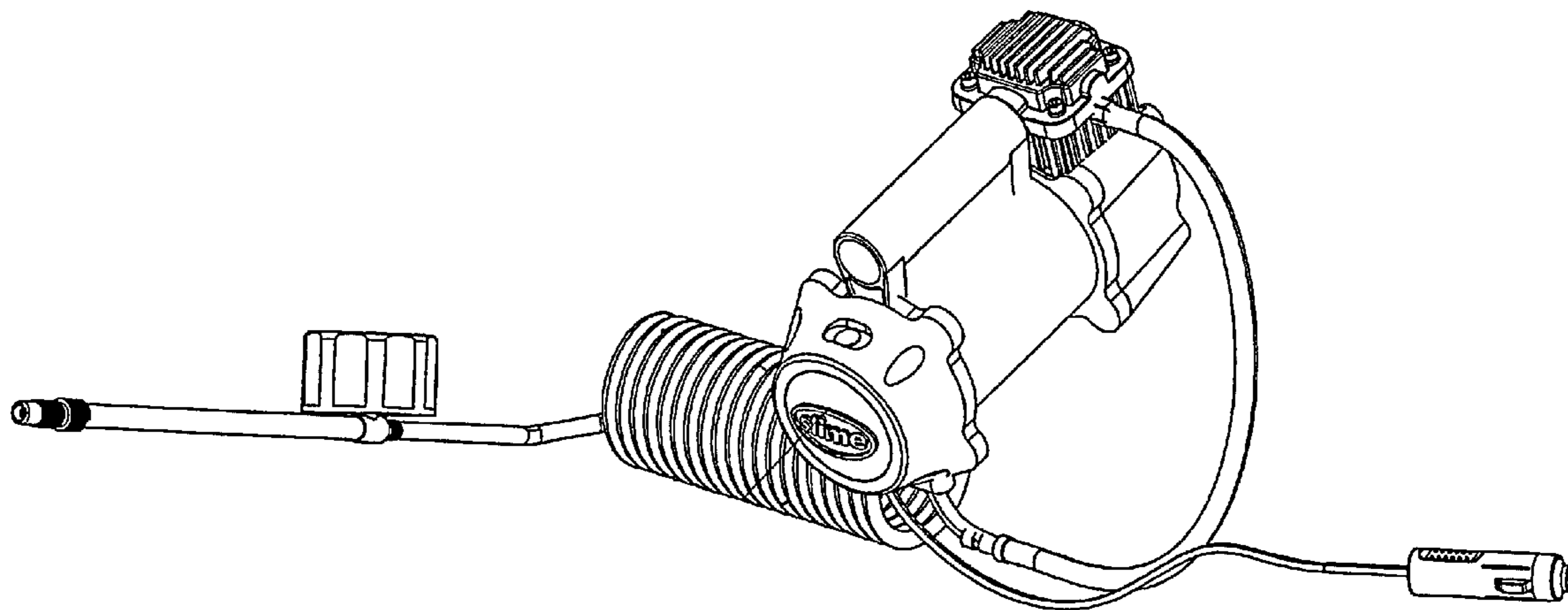
(57) **CLAIM**

The ornamental design for an inflator, as shown and described.

DESCRIPTION

FIG. 1 is a front perspective view of an inflator showing my new design;
FIG. 2 is a front view;
FIG. 3 is a rear view;
FIG. 4 is a left side view;
FIG. 5 is a right side view;
FIG. 6 is a top view of the inflator shown in FIG. 1; and,
FIG. 7 is a bottom view.

1 Claim, 6 Drawing Sheets



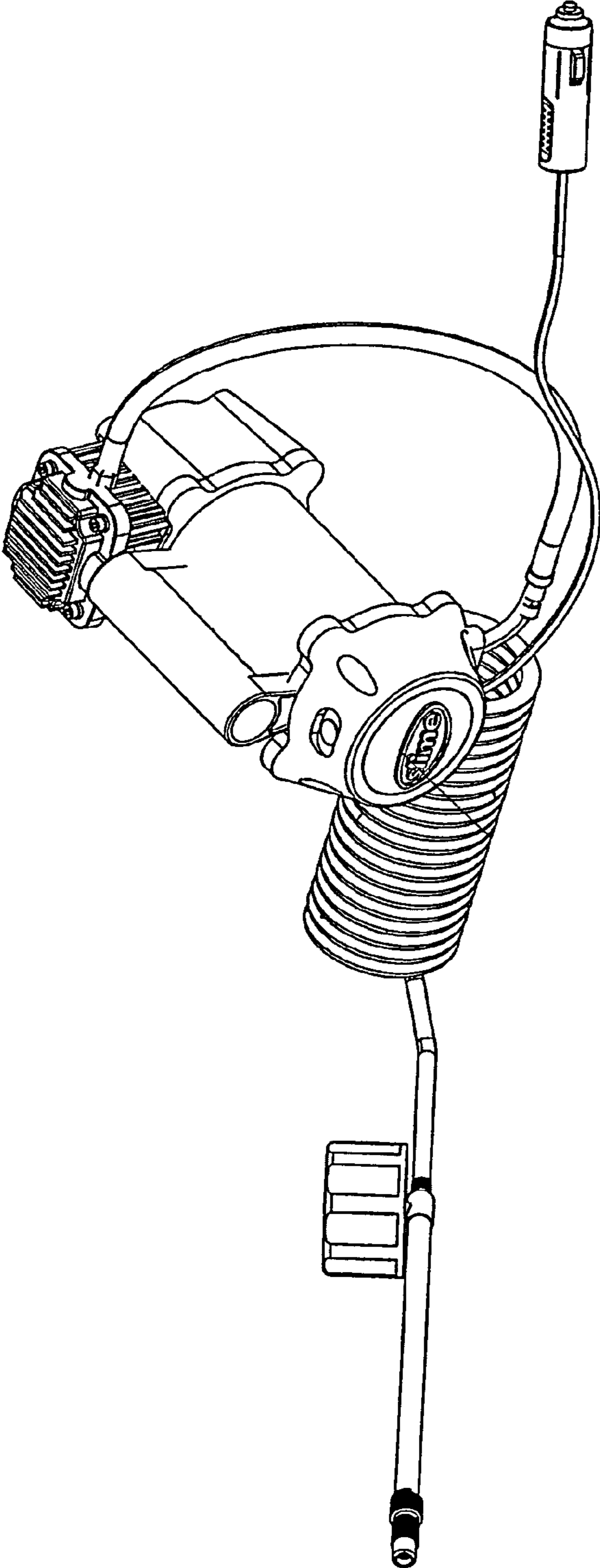


FIG.1

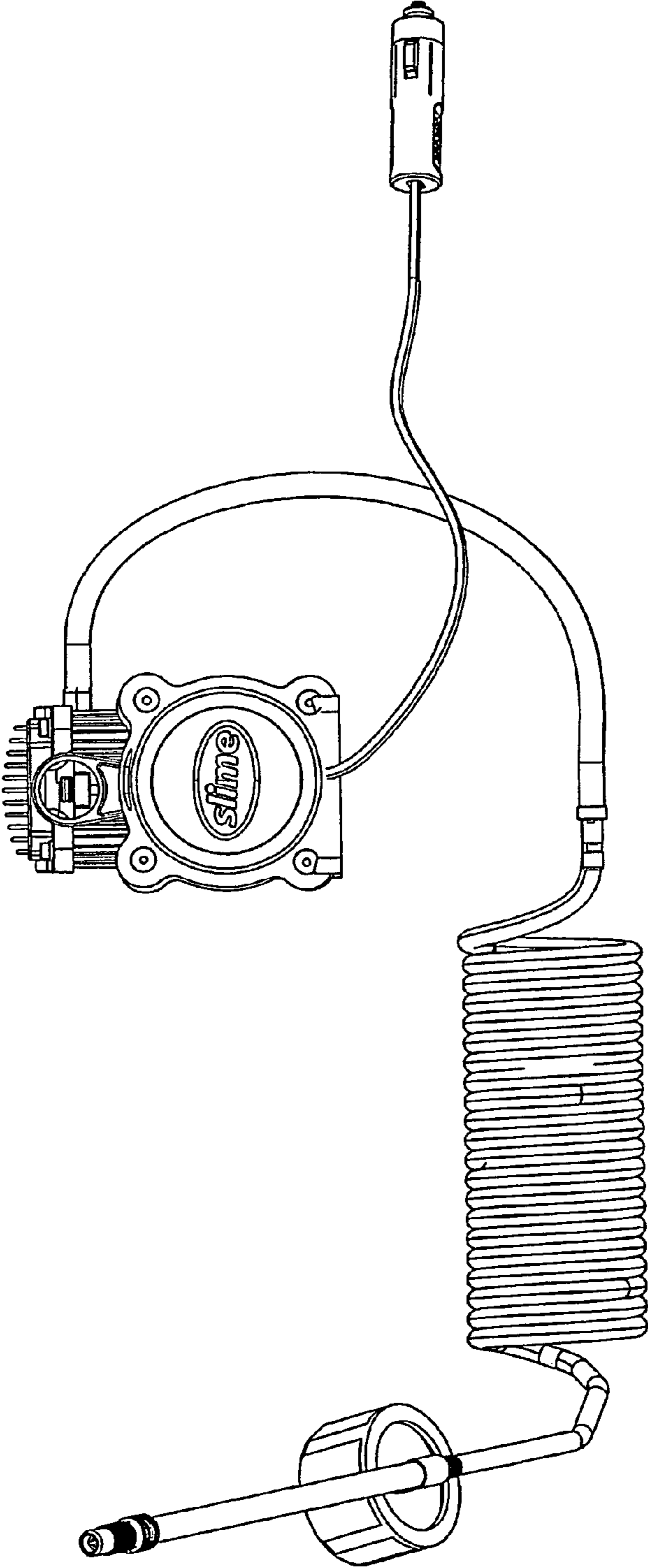


FIG. 2

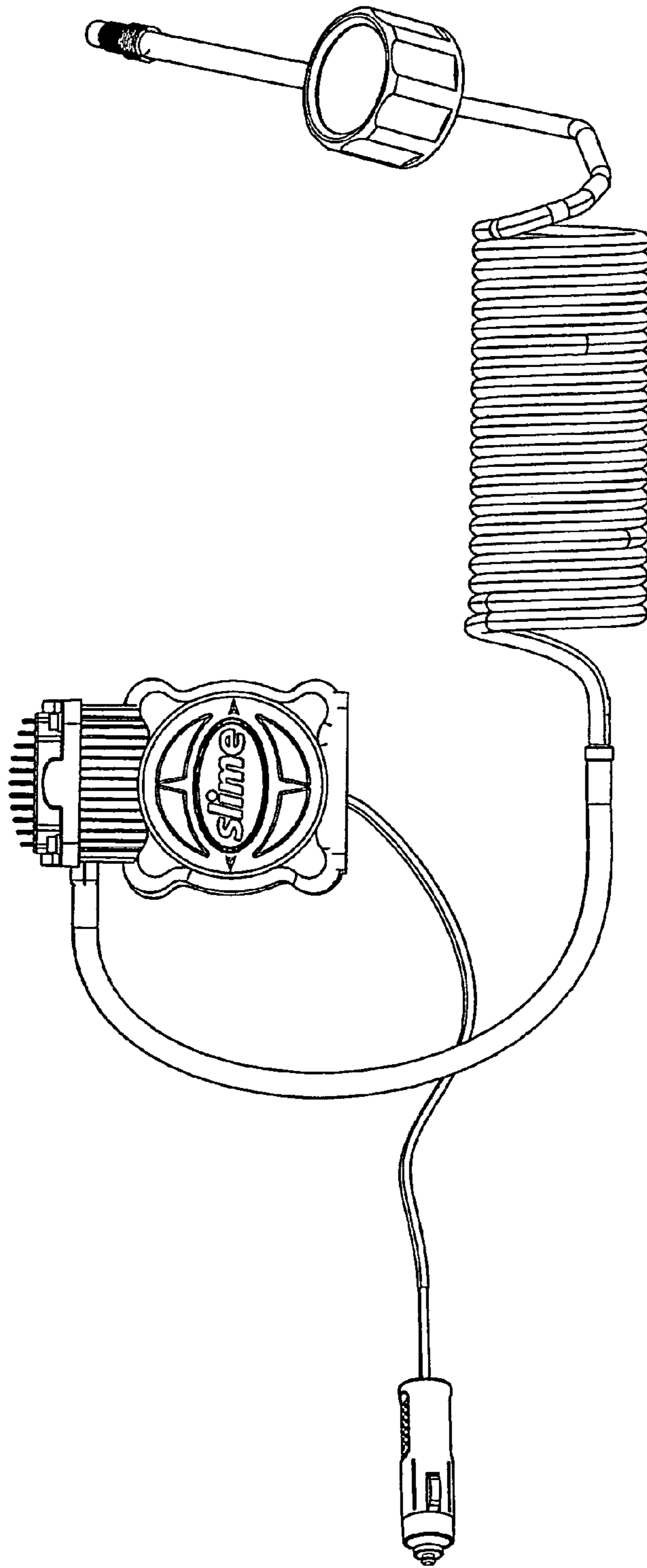


FIG. 3

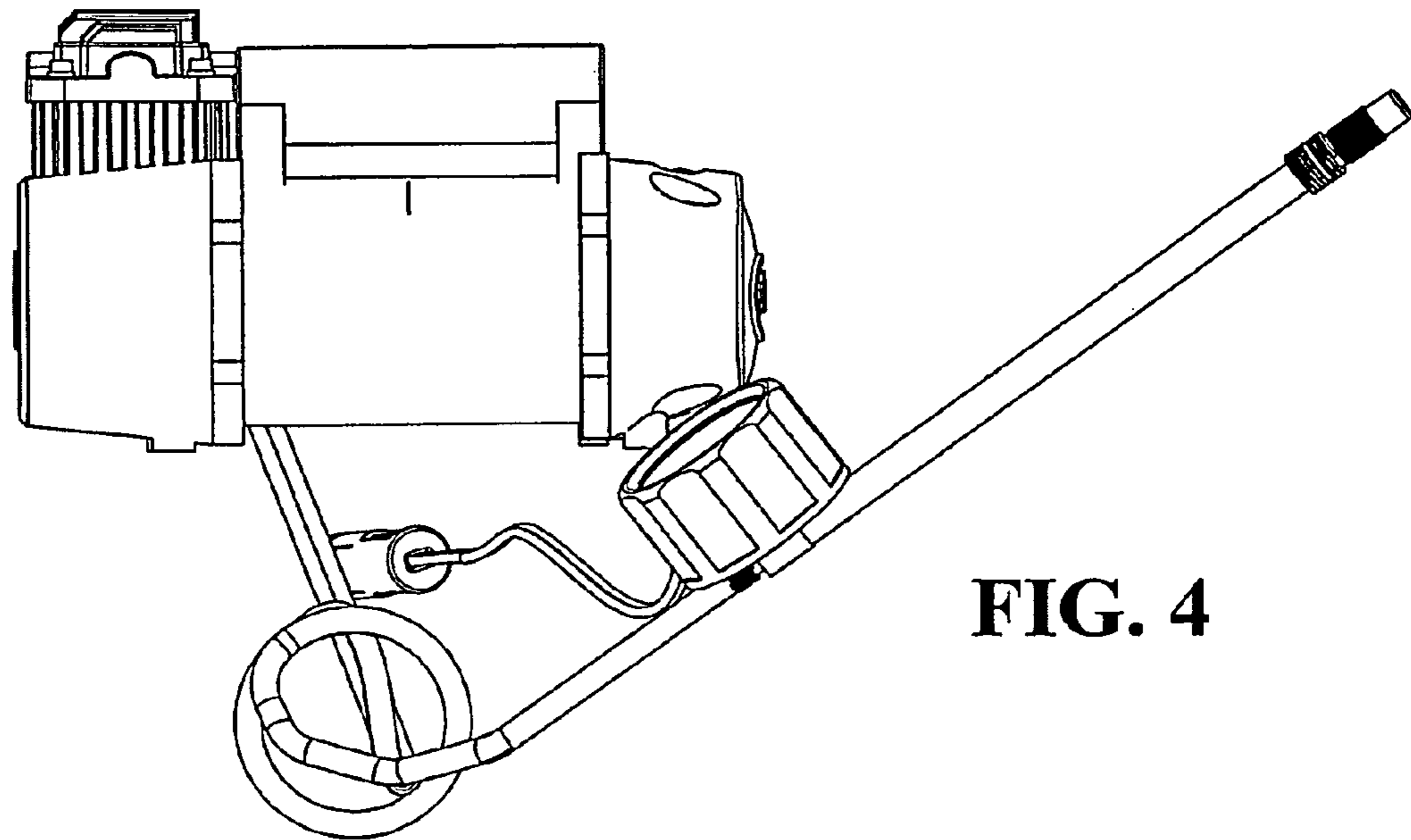


FIG. 4

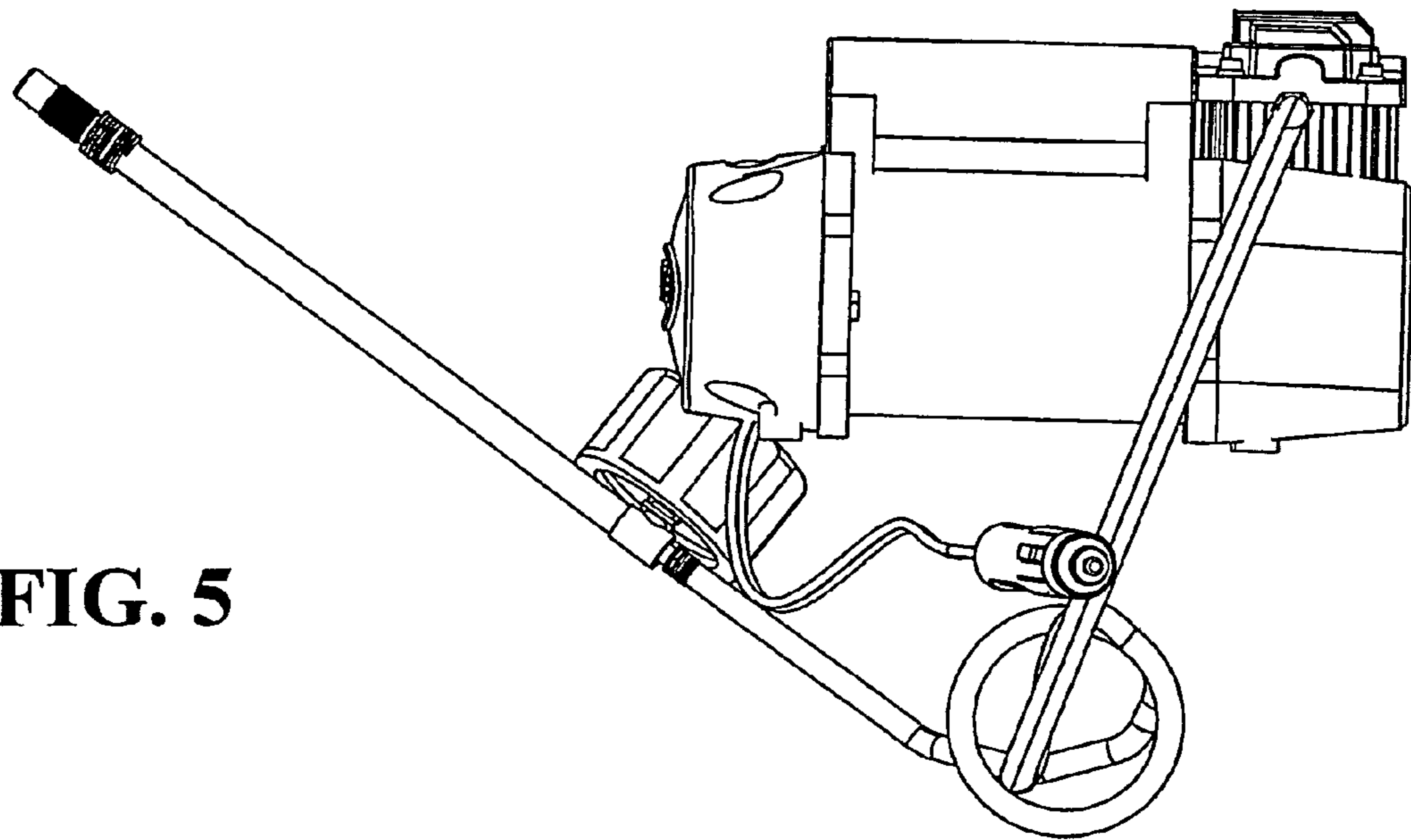


FIG. 5

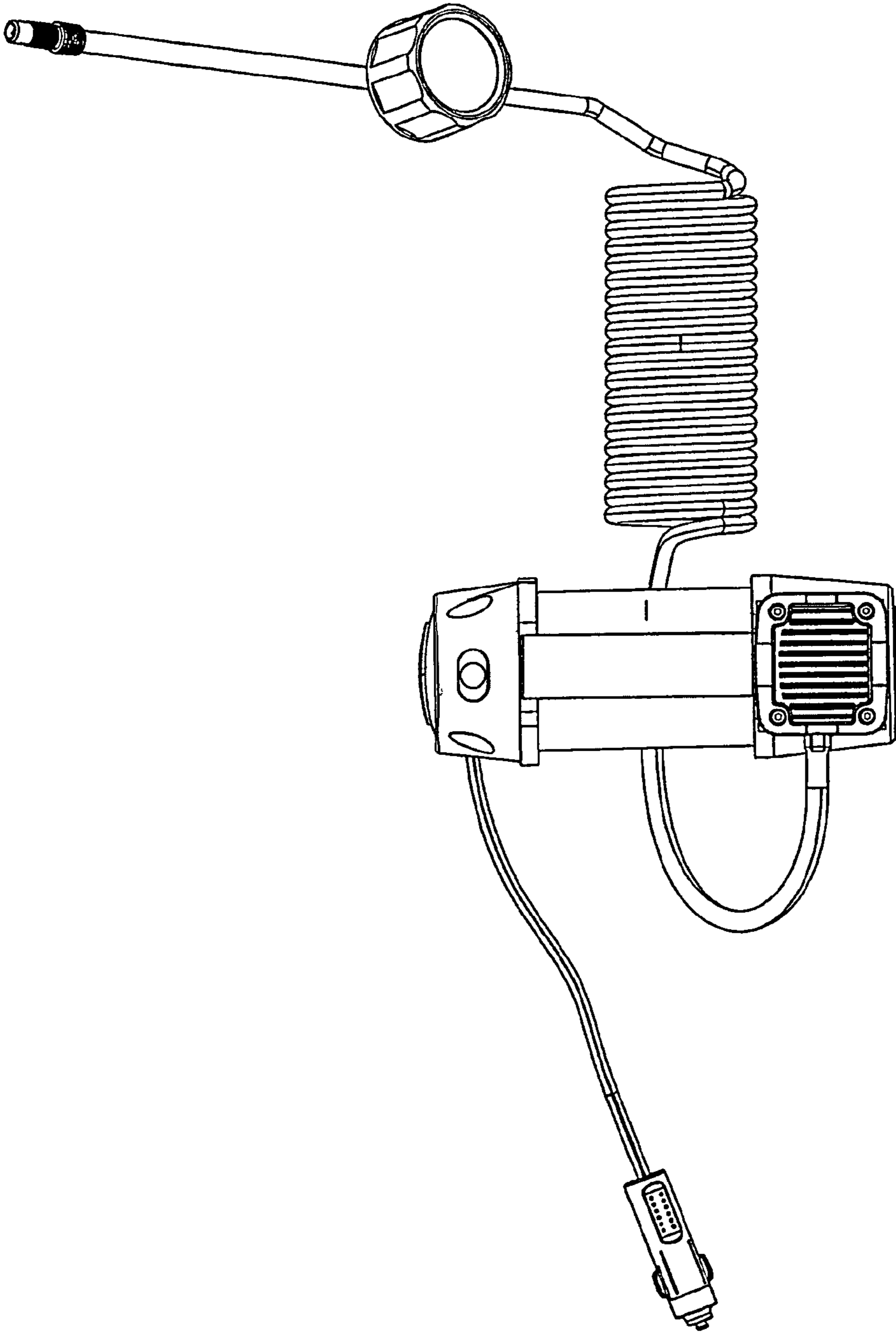


FIG. 6

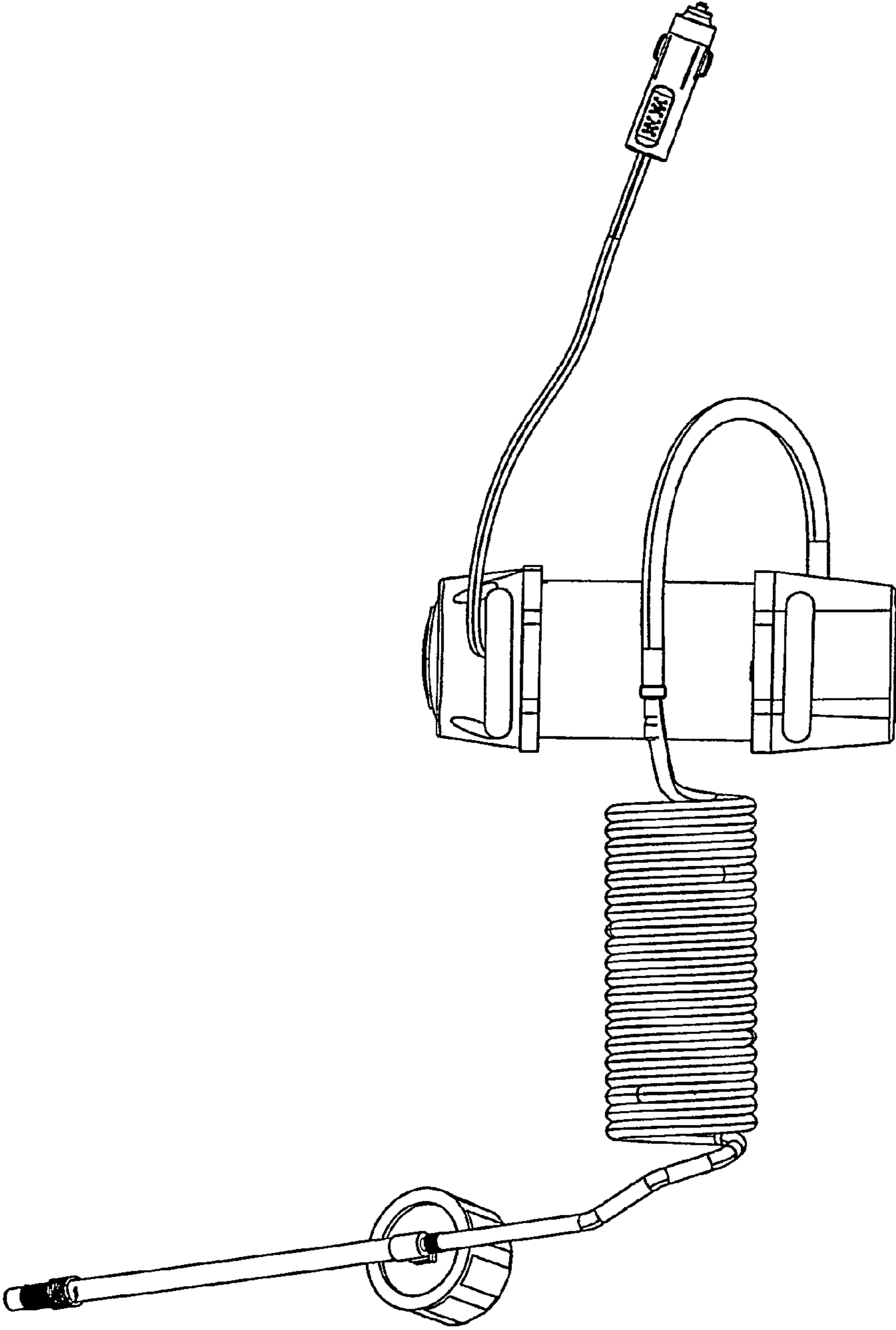


FIG. 7