



US00D701886S

(12) **United States Design Patent**
Maeda

(10) **Patent No.:** **US D701,886 S**
(45) **Date of Patent:** **** Apr. 1, 2014**

(54) **AIR CLEANER COVER FOR INTERNAL COMBUSTION ENGINES**

(71) Applicant: **Honda Motor Co. Ltd., Tokyo (JP)**

(72) Inventor: **Joji Maeda, Wako (JP)**

(73) Assignee: **Honda Motor Co., Ltd., Tokyo (JP)**

(**) Term: **14 Years**

(21) Appl. No.: **29/453,147**

(22) Filed: **Apr. 25, 2013**

(30) **Foreign Application Priority Data**

Oct. 29, 2012 (JP) 2012-026216

(51) **LOC (10) Cl.** **15-01**

(52) **U.S. Cl.**
USPC **D15/5**

(58) **Field of Classification Search**
USPC D15/1, 2, 3, 5, 6, 14, 17, 149; 123/22,
123/41.34, 51 A, 606 R, 52.1, 50 A, 50 B,
123/54.1, 54.2, 54.4, 54.5, 65 R, 195 R,
123/195 HC, 657, 311
See application file for complete search history.

(56) **References Cited**

U.S. PATENT DOCUMENTS

5,934,240 A * 8/1999 Yokocho et al. 123/195 C
D503,410 S 3/2005 Kato
D595,737 S * 7/2009 Neeley et al. D15/1

D637,622 S * 5/2011 Aruga et al. D15/5
D638,856 S * 5/2011 Koizumi et al. D15/5
D643,854 S * 8/2011 Sugiyama et al. D15/5
D646,299 S * 10/2011 Aruga et al. D15/1
D682,884 S * 5/2013 Aruga et al. D15/5
2004/0004356 A1 * 1/2004 Akimoto et al. 290/1 B
2013/0139796 A1 * 6/2013 Takahashi et al. 123/573

* cited by examiner

Primary Examiner — T. Chase Nelson

Assistant Examiner — Ania Aman

(74) *Attorney, Agent, or Firm* — Birch, Stewart, Kolasch & Birch, LLP

(57) **CLAIM**

The ornamental design for an air cleaner cover for internal combustion engines, as shown and described.

DESCRIPTION

FIG. 1 is a front view of an air cleaner cover for internal combustion engines showing my new design;
FIG. 2 is a rear view thereof;
FIG. 3 is a right side view thereof;
FIG. 4 is a left side view thereof;
FIG. 5 is a plan view thereof;
FIG. 6 is a bottom view thereof;
FIG. 7 is a right upper side front perspective view thereof;
FIG. 8 is a left upper side front perspective view thereof;
FIG. 9 is a right upper side rear perspective view thereof; and,
FIG. 10 is a left upper side rear perspective view thereof.
In the drawings, the broken lines depict unclaimed subject matter only and form no part of the claimed design.

1 Claim, 5 Drawing Sheets

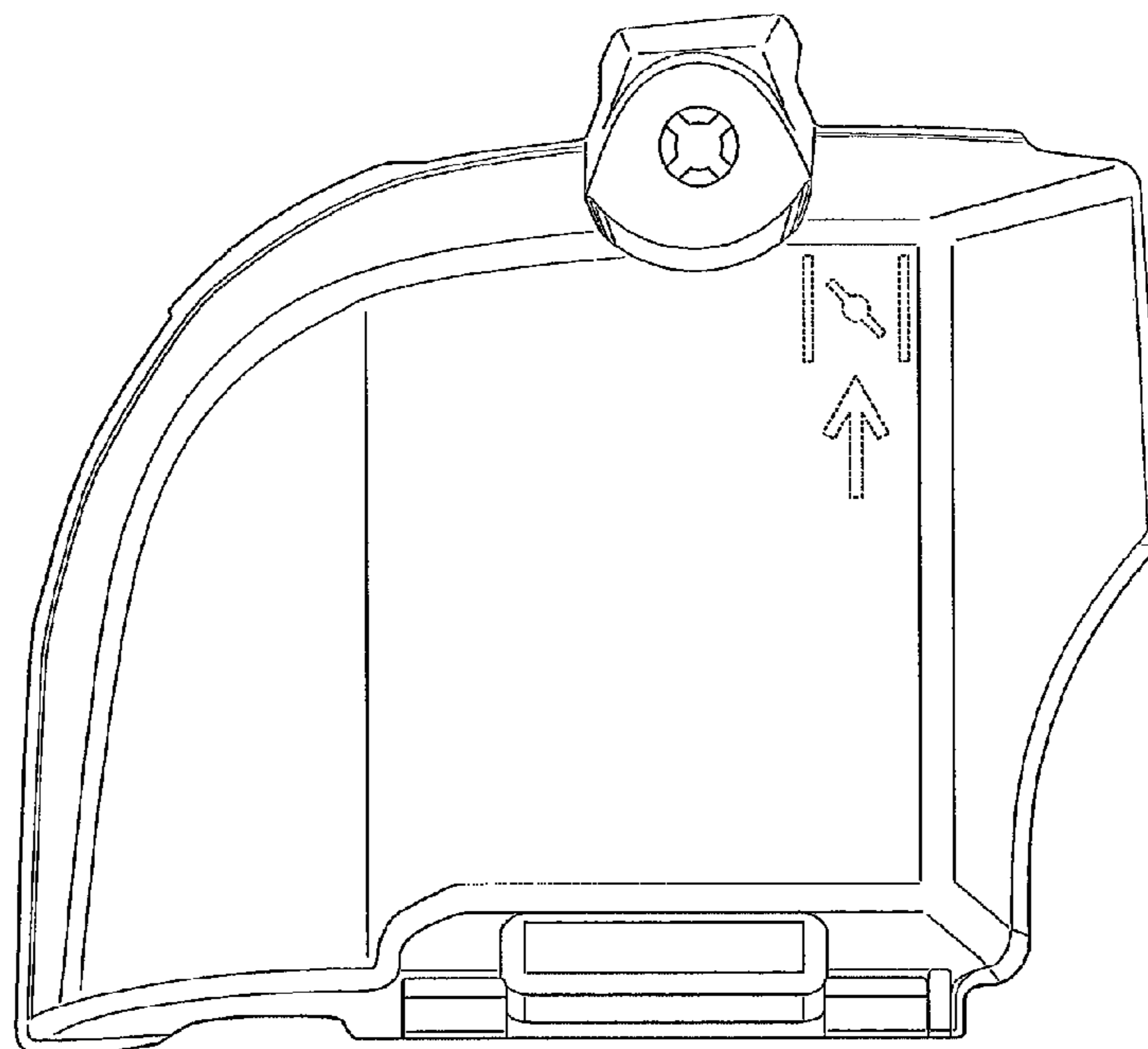


FIG.1

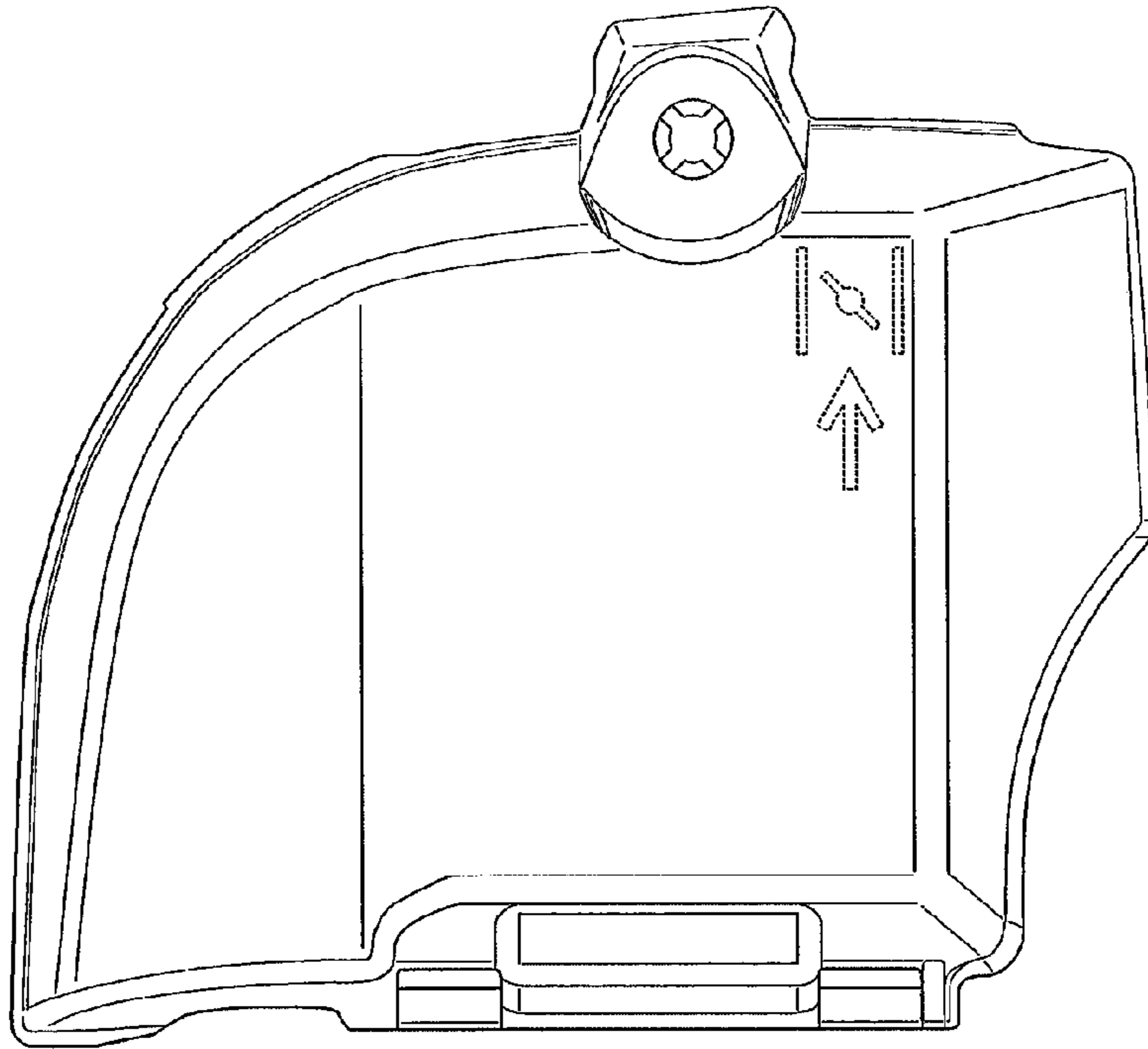


FIG.2

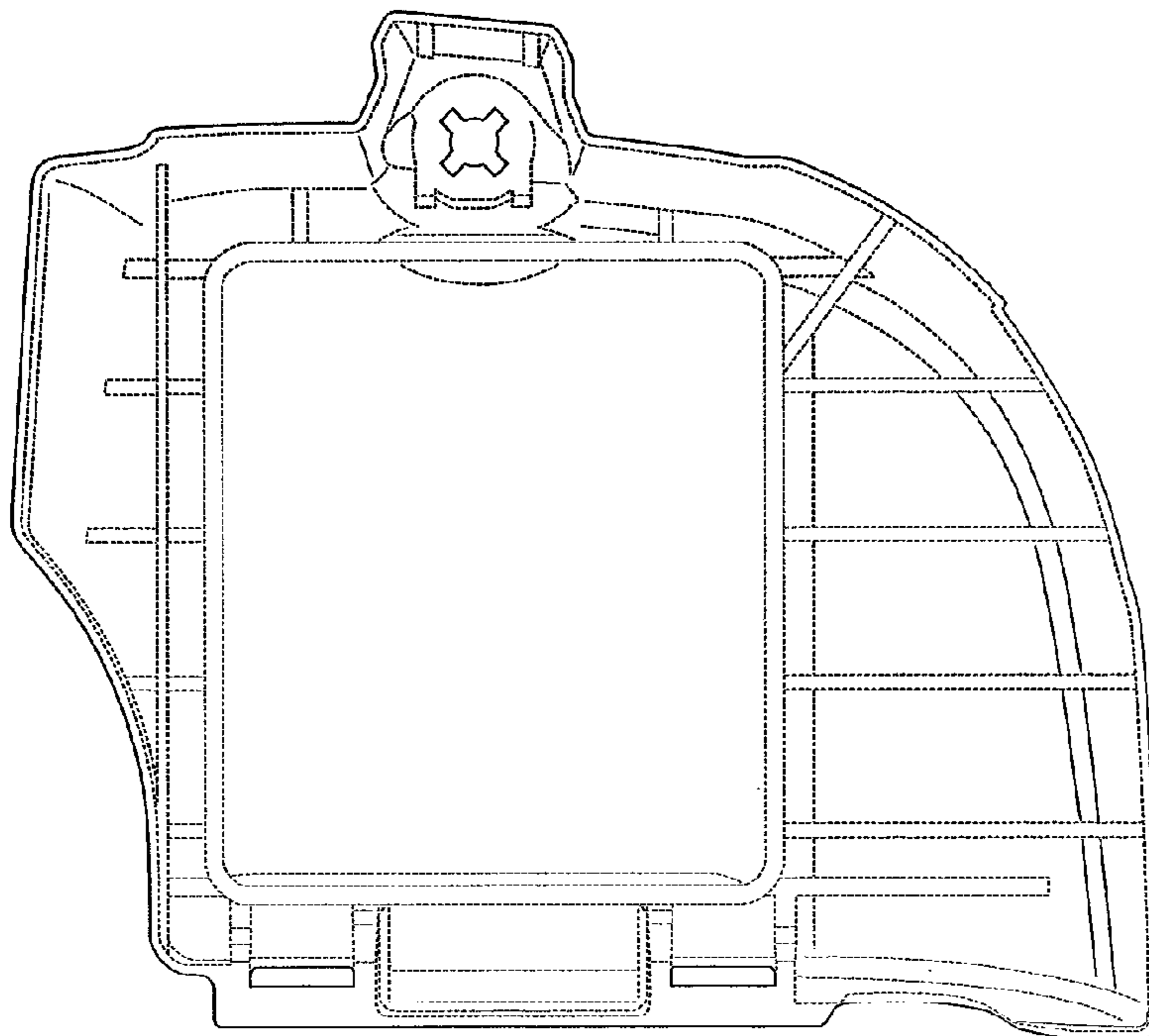


FIG.3

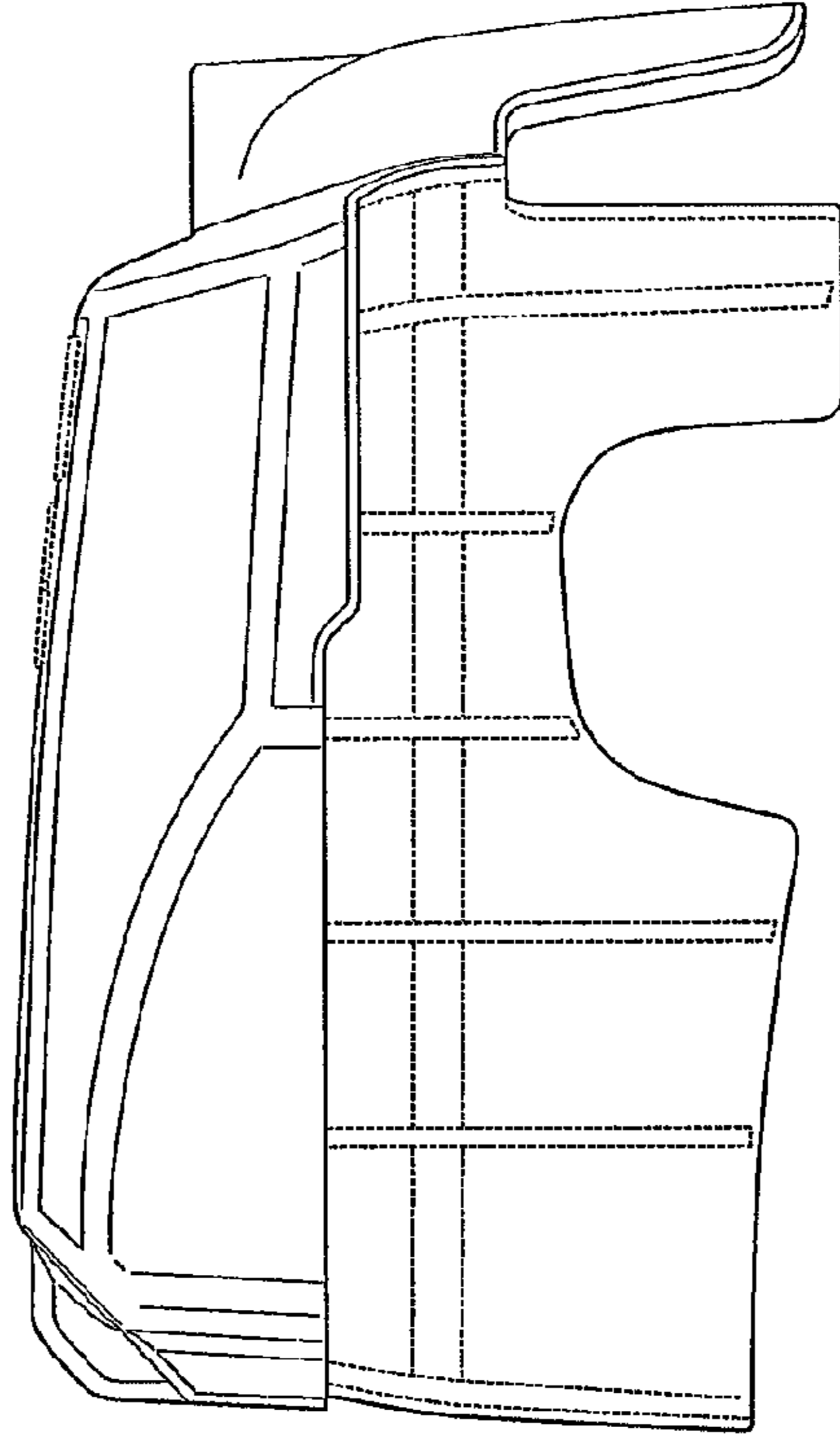


FIG.4

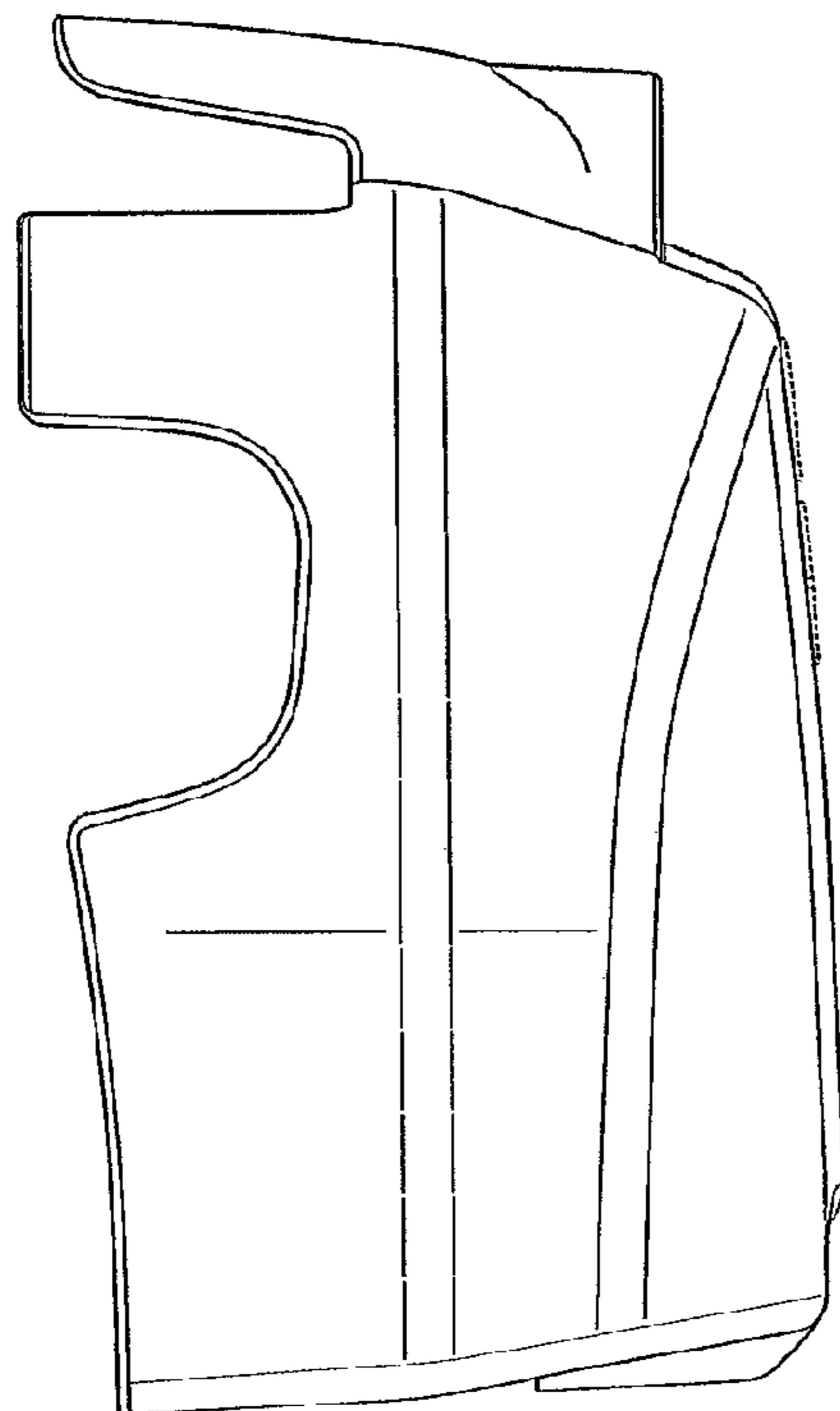


FIG.5

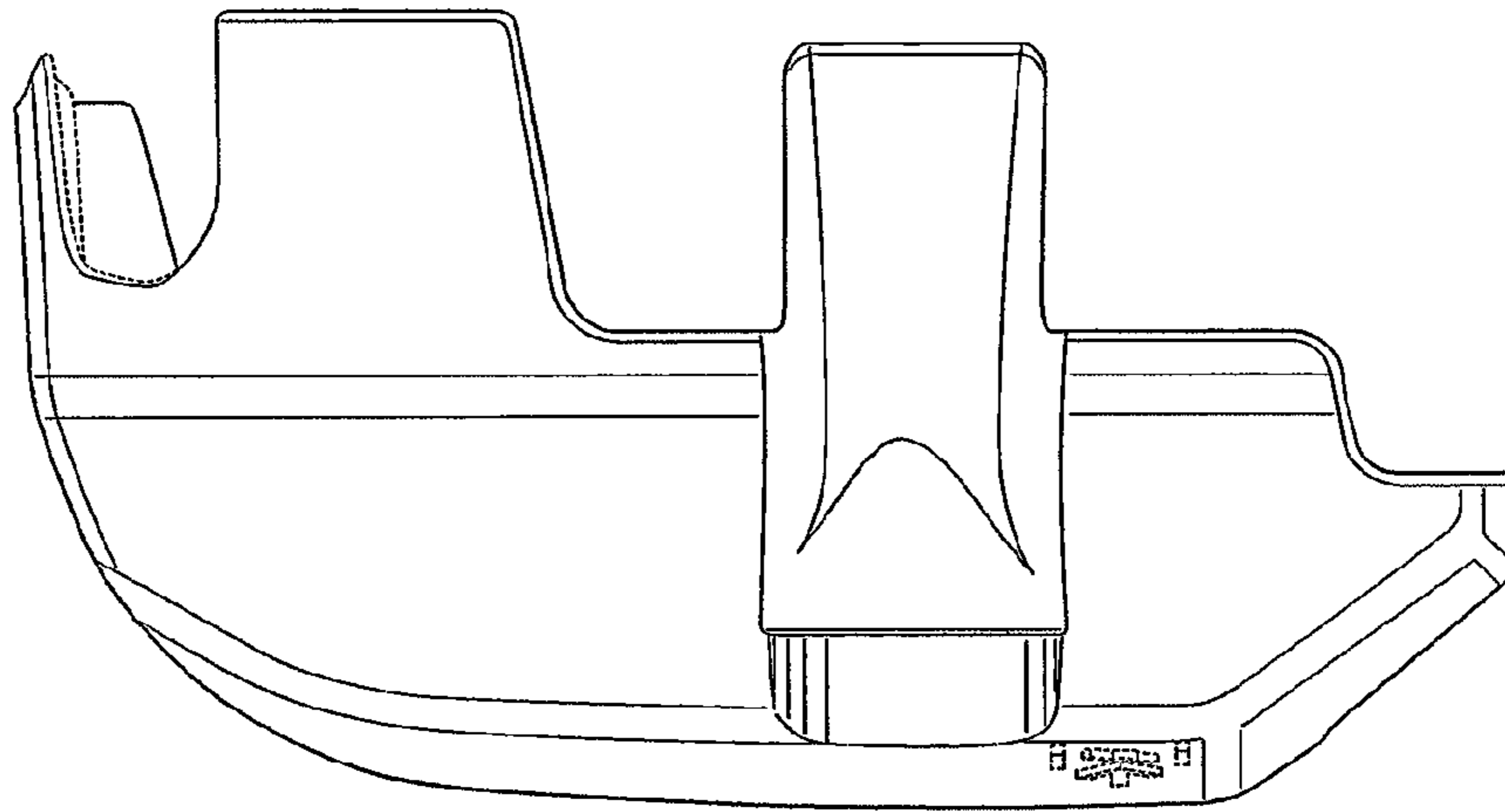


FIG.6

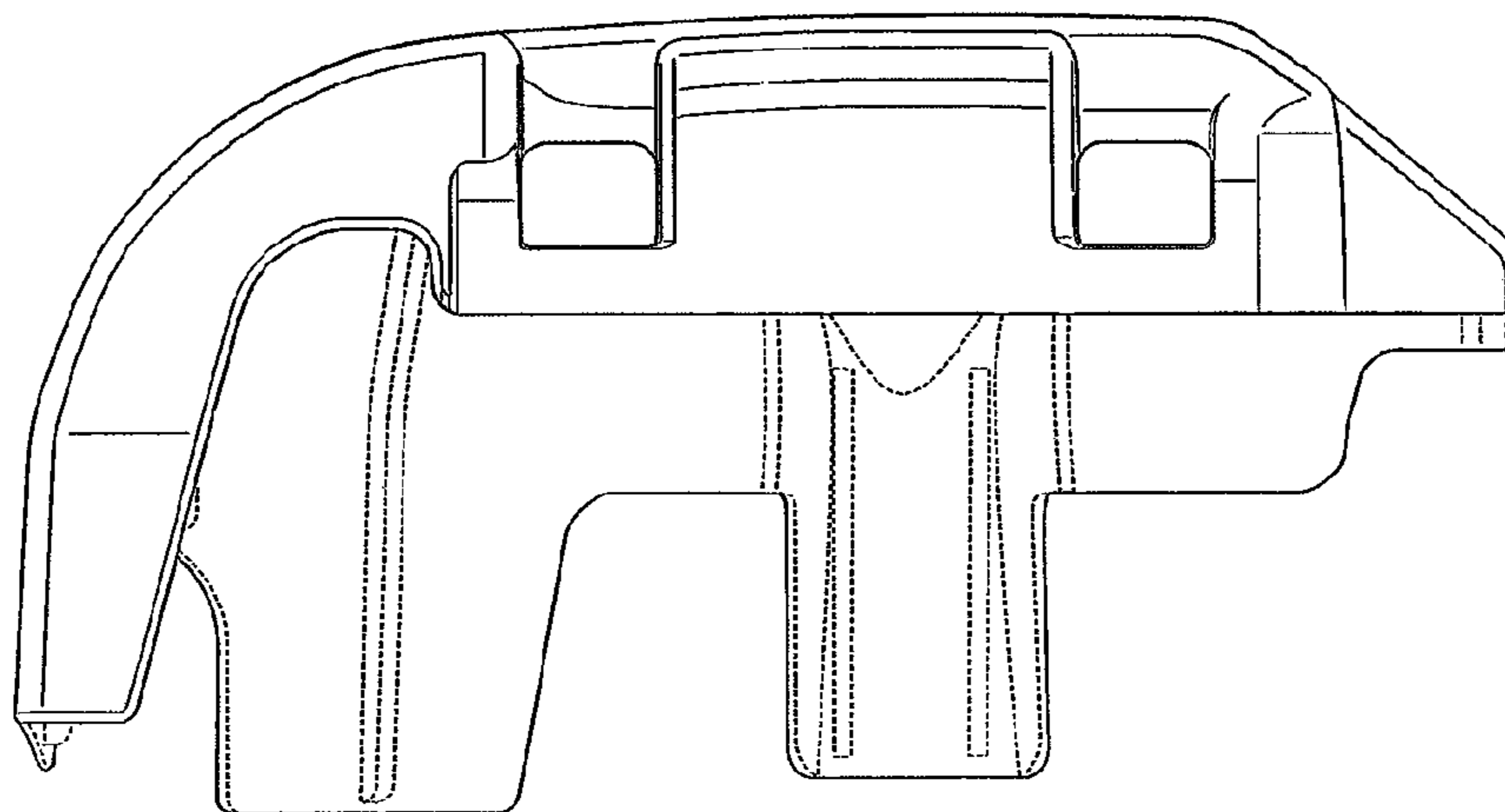


FIG.7

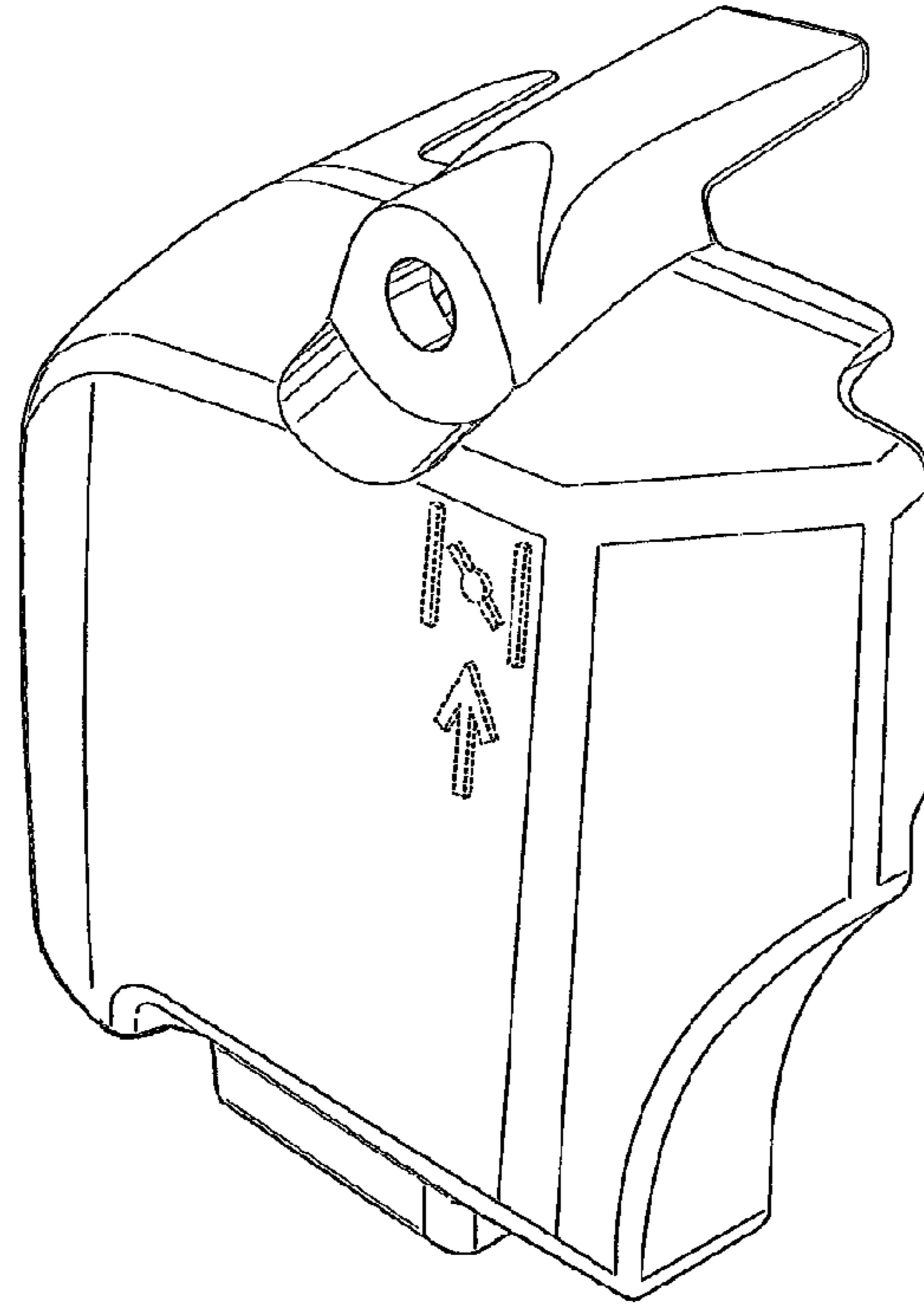


FIG.8

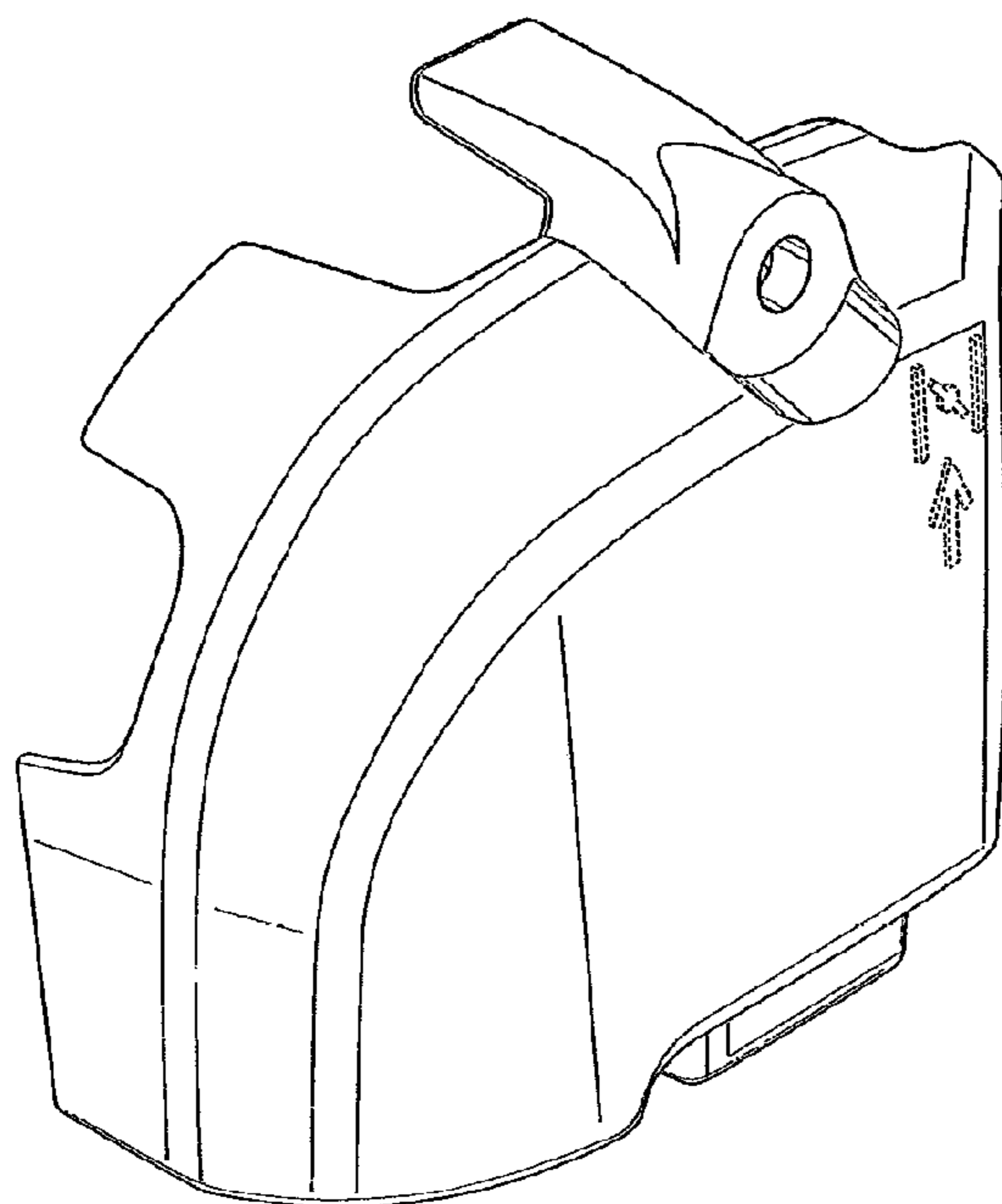


FIG.9

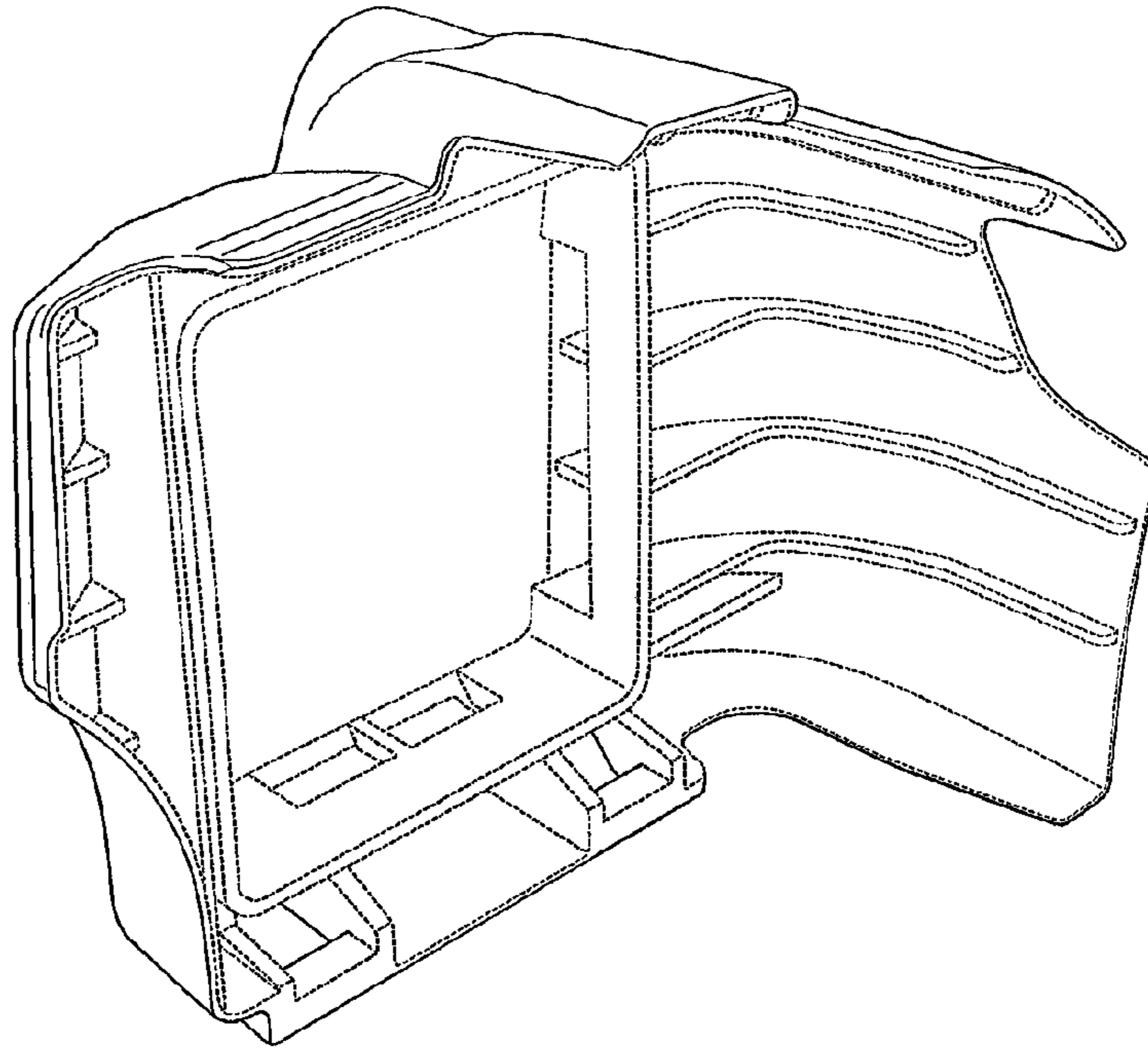


FIG.10

