

US00D701884S

(12) **United States Design Patent**
Son

(10) **Patent No.:** **US D701,884 S**

(45) **Date of Patent:** **** Apr. 1, 2014**

(54) **BLU-RAY DISK PLAYER**

(75) Inventor: **Chae-Joo Son**, Kyunggi-do (KR)

(73) Assignee: **Samsung Electronics Co., Ltd.**,
Suwon-si, Gyeonggi-do (KR)

(**) Term: **14 Years**

(21) Appl. No.: **29/428,579**

(22) Filed: **Aug. 1, 2012**

(30) **Foreign Application Priority Data**

Feb. 22, 2012 (KR) 30-2012-0008204

(51) **LOC (10) Cl.** **14-03**

(52) **U.S. Cl.**
USPC **D14/498**

(58) **Field of Classification Search**
USPC D13/103; D14/135, 168, 172, 188, 204,
D14/207, 210–216, 498, 499; D26/72;
181/147, 148, 150–153, 157, 198, 199;
360/99.02, 99.07; 369/75.11, 75.21,
369/77.11, 77.21; 381/300–303, 306, 332,
381/333, 336, 345; 455/344, 347–351
See application file for complete search history.

(56) **References Cited**

U.S. PATENT DOCUMENTS

D505,131 S * 5/2005 Lee et al. D14/215
D508,910 S * 8/2005 Oikawa D14/214
D545,811 S * 7/2007 Yamamoto et al. D14/211
D552,053 S 10/2007 Kim
D587,237 S * 2/2009 Son et al. D14/168
D596,197 S 7/2009 Cho et al.
D645,449 S * 9/2011 Kusuki D14/214

D648,320 S * 11/2011 Kusuki D14/214
D655,274 S * 3/2012 McManigal D14/214
D655,690 S * 3/2012 Yagi D14/214
D658,159 S * 4/2012 Janky et al. D14/214
D659,677 S * 5/2012 Kim et al. D14/214
D661,280 S * 6/2012 Asaka et al. D14/172

OTHER PUBLICATIONS

Sony HT-CT100 Sound bar speaker system, reviewed Jun. 2008,
[online], [site visited Nov. 21, 2013]. Available from Internet, <URL:
http://www.cnet.com>.*

U.S. Appl. No. 29/427,956, Applicant: Bong-Kun Shin, et al., filed
Jul. 24, 2012 entitled Blu-Ray Disk Player.

* cited by examiner

Primary Examiner — Thomas Johannes

Assistant Examiner — Janice Lim

(74) *Attorney, Agent, or Firm* — Flynn, Thiel, Boutell &
Tanis, P.C.

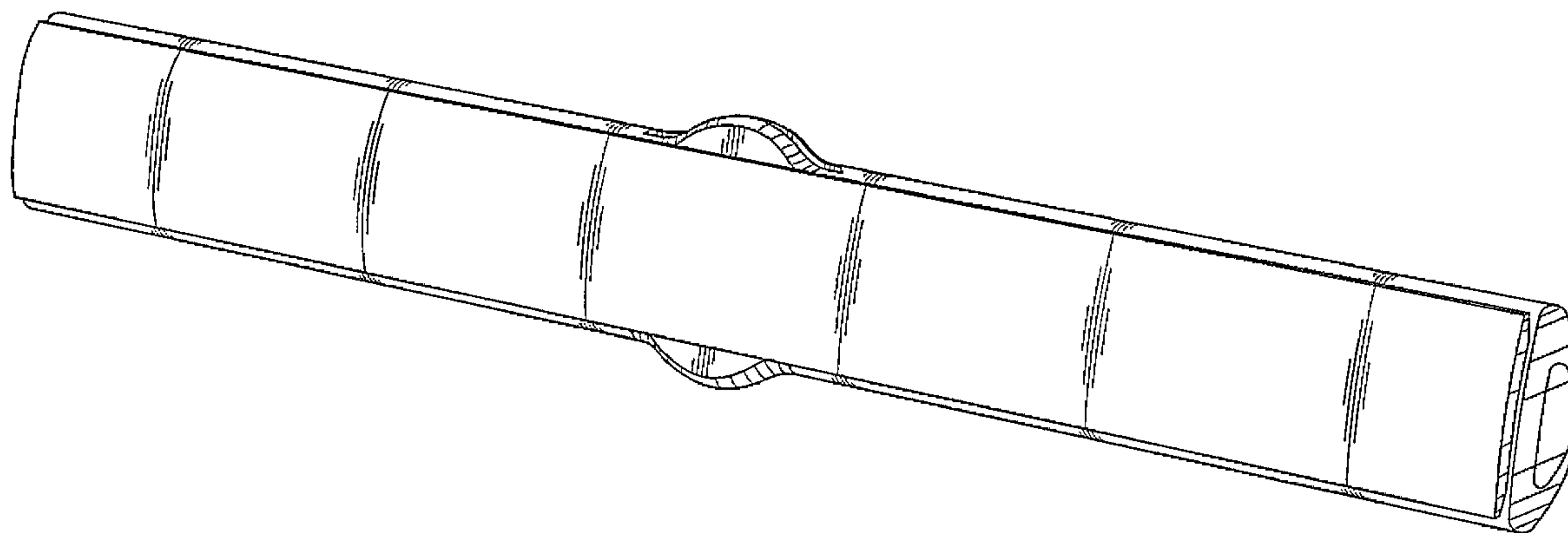
(57) **CLAIM**

The ornamental design for a blu-ray disk player, as shown and
described.

DESCRIPTION

FIG. 1 is a top front perspective view of a blu-ray disk player
showing my new design;
FIG. 2 is a front elevation view thereof;
FIG. 3 is a rear elevation view thereof;
FIG. 4 is a left side elevation view thereof;
FIG. 5 is a right side elevation view thereof;
FIG. 6 is a top plan view thereof; and,
FIG. 7 is a bottom plan view thereof.

1 Claim, 4 Drawing Sheets



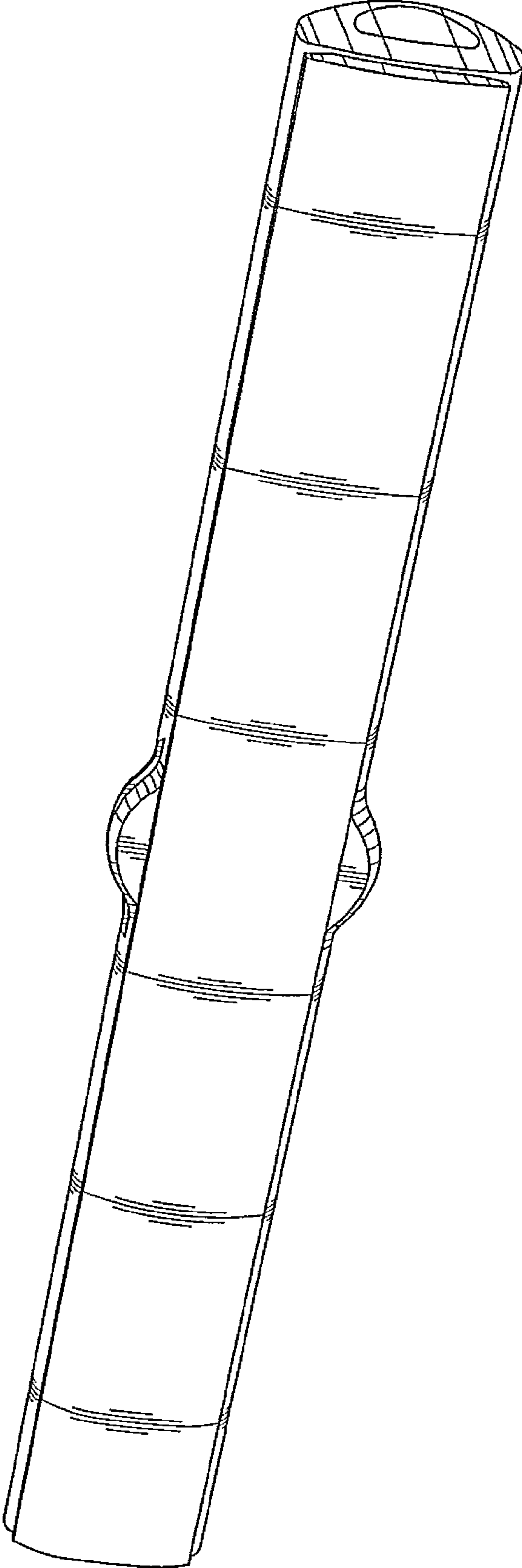


FIG. 1

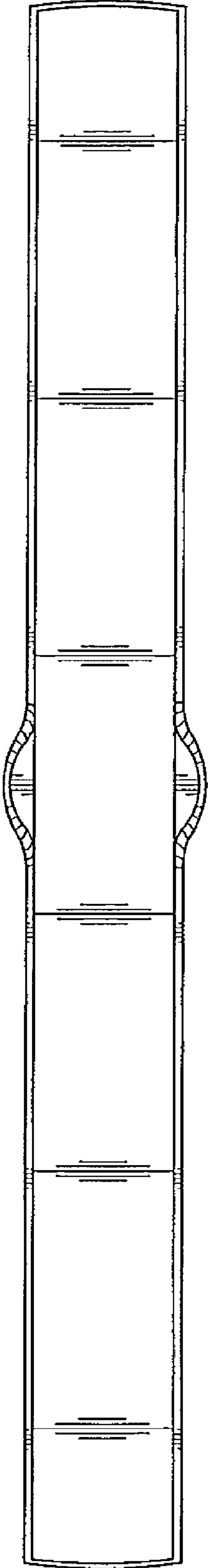


FIG. 2

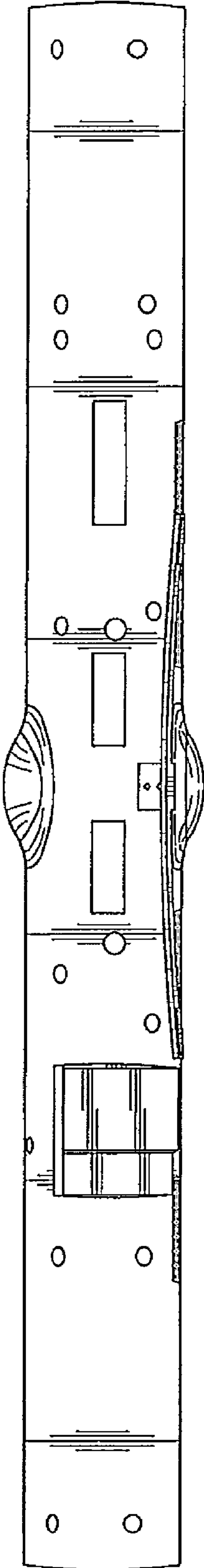


FIG. 3

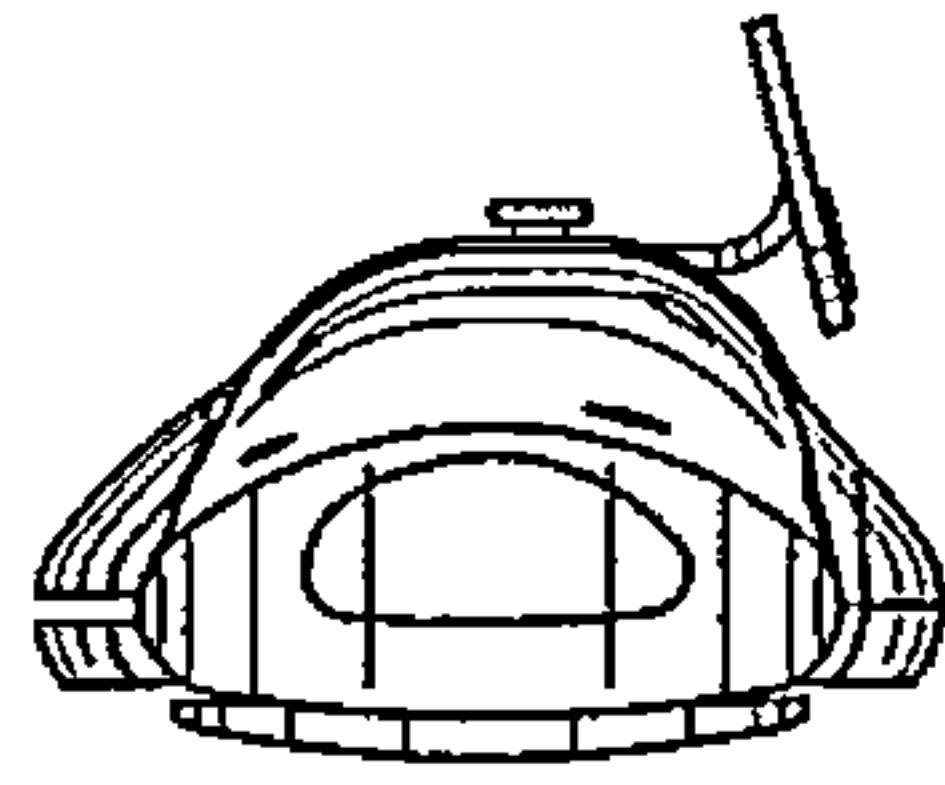


FIG. 5

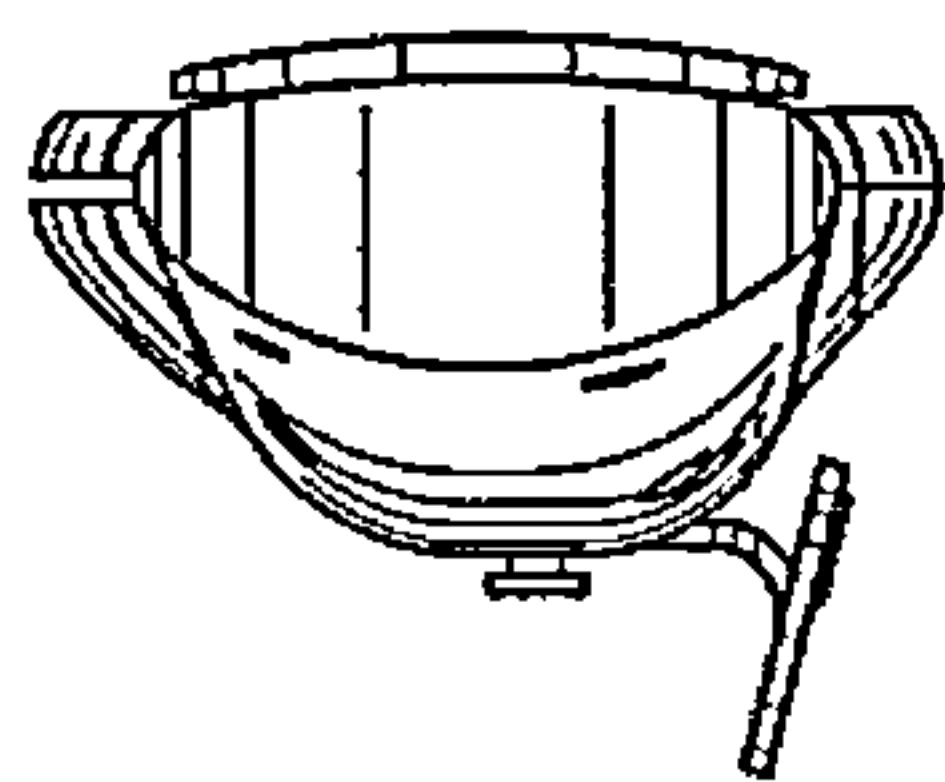


FIG. 4

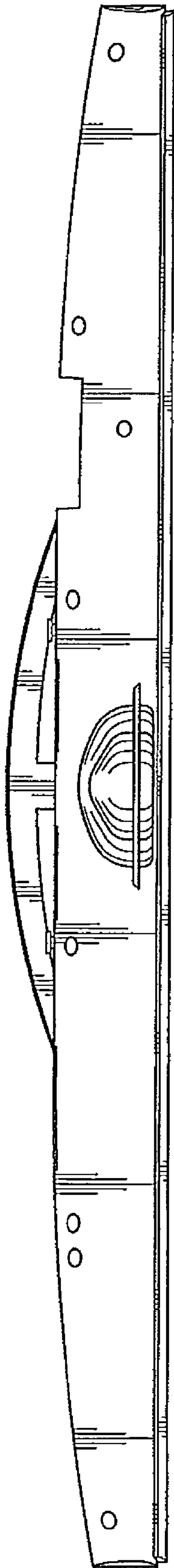


FIG. 6

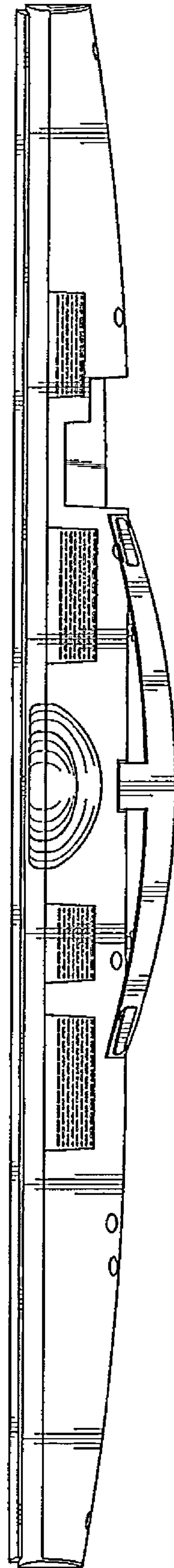


FIG. 7