

US00D701877S

(12) **United States Design Patent**
Kotler et al.

(10) **Patent No.:** **US D701,877 S**
(45) **Date of Patent:** **** Apr. 1, 2014**

(54) **DISPLAY SCREEN WITH GRAPHICAL USER INTERFACE**

(71) Applicant: **Microsoft Corporation**, Redmond, WA (US)

(72) Inventors: **Matthew J. Kotler**, Sammamish, WA (US); **Erez Kikin Gil**, Redmond, WA (US)

(73) Assignee: **Microsoft Corporation**, Redmond, WA (US)

(**) Term: **14 Years**

(21) Appl. No.: **29/446,781**

(22) Filed: **Feb. 27, 2013**

(51) **LOC (10) Cl.** **14-04**

(52) **U.S. Cl.**
USPC **D14/487**

(58) **Field of Classification Search**
USPC D14/485-495; 715/700, 703, 716, 727, 715/730, 771, 773, 778, 779, 780, 784, 785, 715/786, 787, 810, 821, 825, 828, 830, 833, 715/834, 835, 840, 847, 864, 973, 974
See application file for complete search history.

D493,471 S	7/2004	McIntosh
D504,441 S	4/2005	Sapp et al.
D505,135 S	5/2005	Sapp et al.
7,046,248 B1	5/2006	Perttunen
D544,495 S	6/2007	Evans et al.
D545,323 S	6/2007	Decombe
D545,324 S	6/2007	Decombe
7,281,214 B2	10/2007	Fadell
D554,660 S	11/2007	Hoover et al.
D554,661 S	11/2007	Hoover et al.
D563,972 S	3/2008	Sherry
D568,898 S	5/2008	Byeon
D580,949 S	11/2008	Duarte
D589,521 S	3/2009	Napier et al.
D591,305 S	4/2009	Shimoda
7,516,416 B2	4/2009	Viswanathan et al.
D592,674 S	5/2009	Kwag
D602,033 S *	10/2009	Vu et al. D14/485
D604,310 S	11/2009	Ahn
D606,081 S	12/2009	Parker et al.
D607,007 S	12/2009	Kocmick
D614,192 S	4/2010	Takano et al.
D619,593 S	7/2010	Fujioka et al.
D619,614 S	7/2010	O'Mullan et al.

(Continued)

Primary Examiner — Angela J Lee

(74) *Attorney, Agent, or Firm* — Banner & Witcoff, Ltd.

(57) **CLAIM**

The ornamental design for a display screen with graphical user interface, as shown and described.

(56) **References Cited**

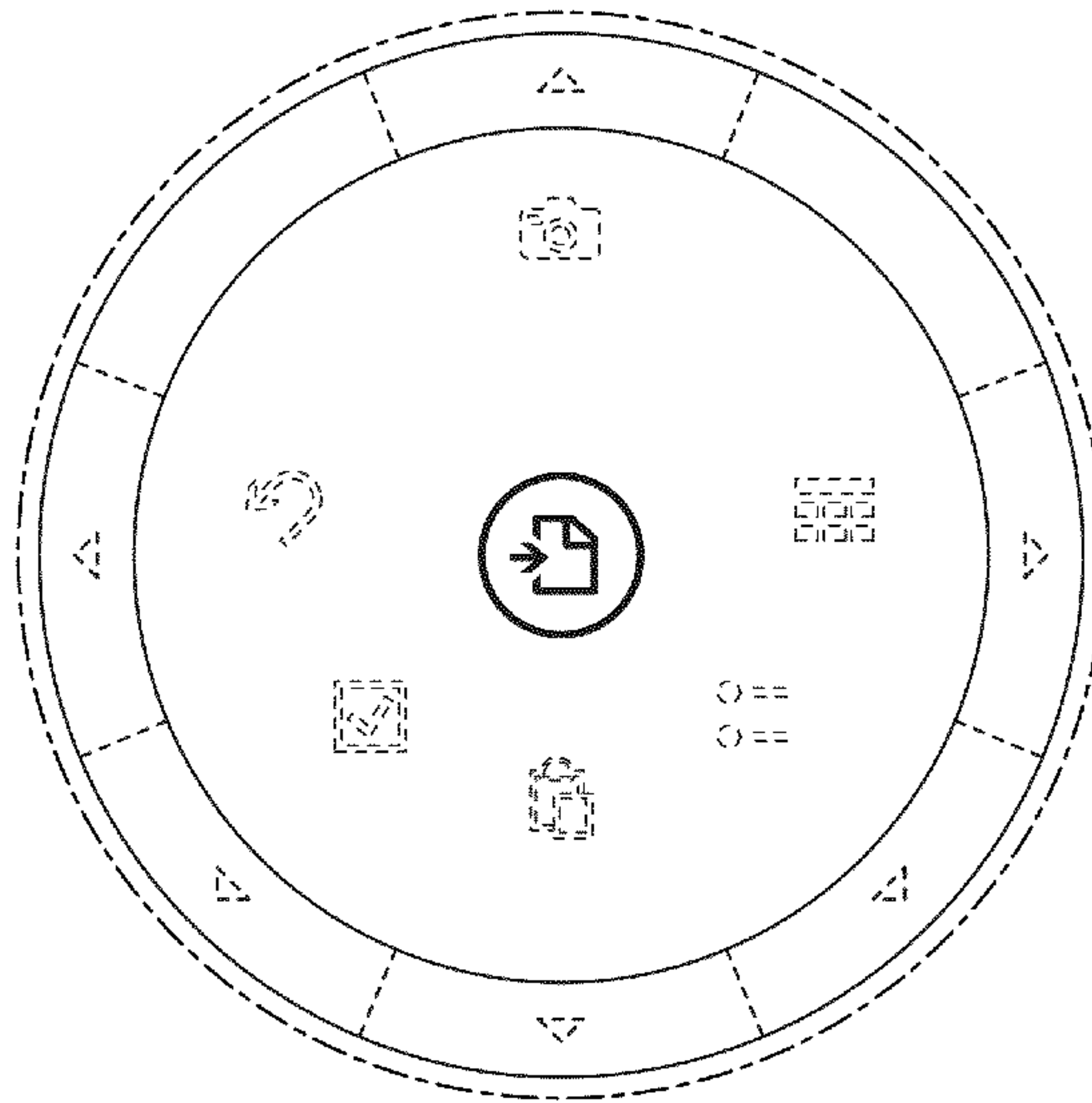
U.S. PATENT DOCUMENTS

4,747,093 A	5/1988	Benne et al.
5,526,341 A	6/1996	Shiba et al.
5,675,570 A	10/1997	Ohira et al.
D396,455 S	7/1998	Bier
D461,822 S *	8/2002	Okuley D14/489
D464,360 S	10/2002	Grundel et al.
6,549,219 B2	4/2003	Selker
D474,197 S	5/2003	Nguyen
D492,695 S	7/2004	Suzuki et al.
D493,177 S	7/2004	Retuta et al.

DESCRIPTION

FIG. 1 is a front view of a display screen with graphical user interface showing our new design; and, FIG. 2 is a front view of the display screen with graphical user interface of FIG. 1 shown with additional disclaimed environment. The broken line showing of the remainder of the user interface and display screen is for environmental purposes only and forms no part of the claimed design.

1 Claim, 2 Drawing Sheets



(56)

References Cited

U.S. PATENT DOCUMENTS

D620,024 S *	7/2010	Dunn et al.	D14/493	D678,902 S	3/2013	Evans	
D622,281 S	8/2010	Maitlen et al.		D681,669 S	5/2013	Phelan	
D625,319 S	10/2010	Allen et al.		D683,756 S *	6/2013	Phelan	D14/489
D625,328 S	10/2010	Fitzmaurice et al.		D685,391 S	7/2013	Blissenbach et al.	
D627,360 S	11/2010	Aarseth		2004/0141010 A1	7/2004	Fitzmaurice et al.	
D635,987 S	4/2011	Mays et al.		2005/0010955 A1	1/2005	Elia et al.	
D635,988 S	4/2011	Mays et al.		2007/0220442 A1 *	9/2007	Bohan et al.	715/786
D637,197 S	5/2011	Ray et al.		2008/0126992 A1	5/2008	Scheu et al.	
D644,243 S	8/2011	Matas		2010/0088594 A1	4/2010	Kim et al.	
D645,470 S	9/2011	Matas		2011/0083100 A1 *	4/2011	Fyke et al.	715/790
D651,611 S	1/2012	Ouilhet et al.		2013/0019174 A1 *	1/2013	Gil et al.	715/711
D651,613 S	1/2012	Ouilhet		2013/0019175 A1 *	1/2013	Kotler et al.	715/728
D664,562 S	7/2012	McCain et al.		2013/0019182 A1 *	1/2013	Gil et al.	715/738
D667,428 S	9/2012	Wujcik et al.		2013/0019203 A1 *	1/2013	Kotler et al.	715/811
D667,429 S	9/2012	Wujcik et al.		2013/0019205 A1 *	1/2013	Gil et al.	715/834
D667,430 S *	9/2012	Ouilhet et al.	D14/489	2013/0019206 A1 *	1/2013	Kotler et al.	715/834
				2013/0019208 A1 *	1/2013	Kotler et al.	715/835
				2013/0212529 A1 *	8/2013	Amarnath	715/810

* cited by examiner

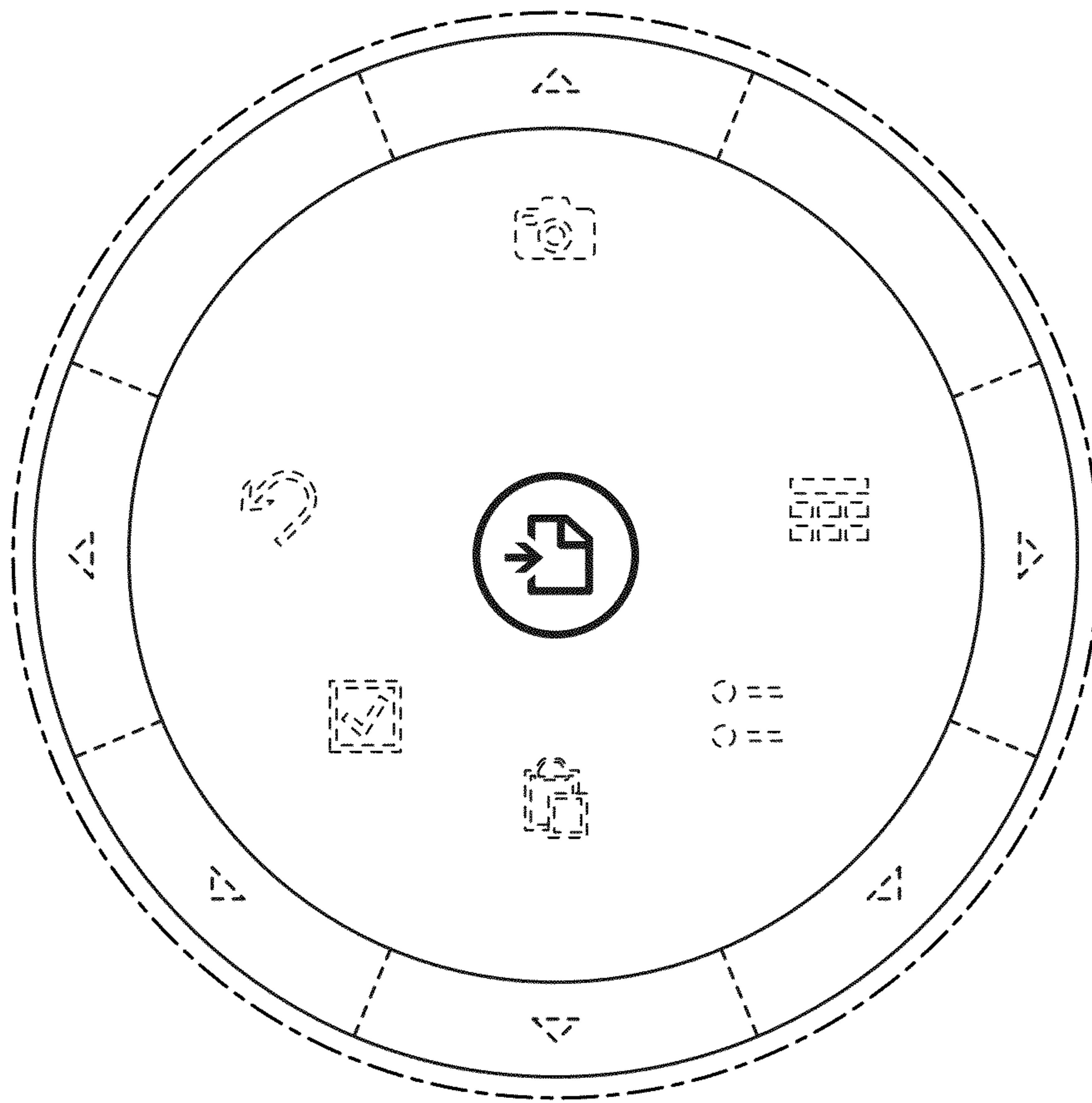


FIG. 1

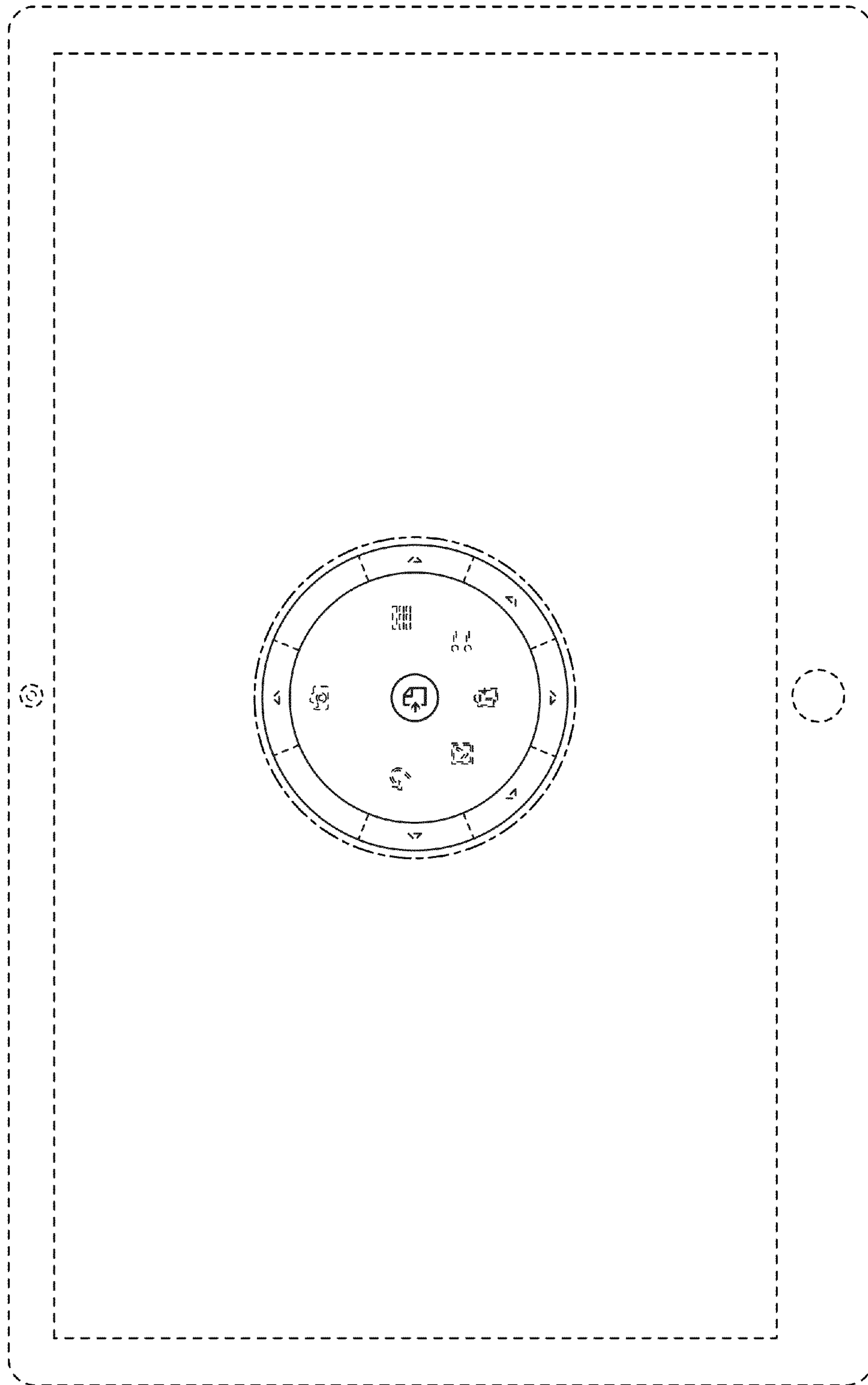


FIG. 2