

US00D701869S

(12) **United States Design Patent**
Matas et al.

(10) **Patent No.:** **US D701,869 S**
(45) **Date of Patent:** **** Apr. 1, 2014**

- (54) **DISPLAY SCREEN OR PORTION THEREOF WITH A GRAPHICAL USER INTERFACE**
- (75) Inventors: **Michael J. Matas**, San Francisco, CA (US); **David Sloo**, Menlo Park, CA (US); **Thomas Crabtree**, San Francisco, CA (US); **Timo A. Bruck**, Mountain View, CA (US)
- (73) Assignee: **Nest Labs, Inc.**, Palo Alto, CA (US)
- (**) Term: **14 Years**
- (21) Appl. No.: **29/404,105**
- (22) Filed: **Oct. 14, 2011**
- (51) **LOC (10) Cl.** **14-04**
- (52) **U.S. Cl.**
USPC **D14/486**
- (58) **Field of Classification Search**
USPC D14/485-495; 715/700-867
See application file for complete search history.

D598,463	S *	8/2009	Hirsch et al.	D14/485
D599,810	S *	9/2009	Scalisi et al.	D14/485
D603,421	S *	11/2009	Ebeling et al.	D14/489
7,620,996	B2 *	11/2009	Torres et al.	726/28
D613,301	S *	4/2010	Lee et al.	D14/489
D615,546	S *	5/2010	Lundy et al.	D14/485
7,721,209	B2 *	5/2010	Tilton	715/732
7,823,076	B2 *	10/2010	Borovsky et al.	715/764
RE41,922	E *	11/2010	Gough et al.	715/803
D630,649	S *	1/2011	Tokunaga et al.	D14/487
D640,269	S *	6/2011	Chen	D14/487
D640,273	S *	6/2011	Arnold et al.	D14/487
D640,278	S *	6/2011	Woo	D14/487
D640,285	S *	6/2011	Woo	D14/487
D641,373	S *	7/2011	Gardner et al.	D14/486
D643,045	S *	8/2011	Woo	D14/487
D656,950	S *	4/2012	Shallcross et al.	D14/488
D656,952	S *	4/2012	Weir et al.	D14/488
D663,743	S *	7/2012	Tanghe et al.	D14/489
D663,744	S *	7/2012	Tanghe et al.	D14/489
D664,559	S *	7/2012	Ismail et al.	D14/487
8,234,581	B2 *	7/2012	Kake	715/764
D664,978	S *	8/2012	Tanghe et al.	D14/487
8,316,022	B2 *	11/2012	Matsuda et al.	707/736
2003/0112262	A1 *	6/2003	Adatia et al.	345/716
2009/0263773	A1 *	10/2009	Kotlyar et al.	434/262

(Continued)

(56) **References Cited**

U.S. PATENT DOCUMENTS

D321,903	S *	11/1991	Chepaitis	D18/26
D341,848	S *	11/1993	Bigelow et al.	D18/27
D396,488	S *	7/1998	Kunkler	D19/11
5,959,621	A *	9/1999	Nawaz et al.	715/733
6,020,881	A *	2/2000	Naughton et al.	715/740
D428,399	S *	7/2000	Kahn et al.	D14/488
D464,660	S *	10/2002	Weng et al.	D14/488
D480,401	S *	10/2003	Kahn et al.	D14/488
D485,279	S *	1/2004	DeCombe	D14/486
D497,617	S *	10/2004	Decombe et al.	D14/486
D511,527	S *	11/2005	Hernandez et al.	D14/495
D544,877	S *	6/2007	Sasser	D14/486
D550,691	S *	9/2007	Hally et al.	D14/487
D589,792	S *	4/2009	Clabough et al.	D9/434
D593,120	S *	5/2009	Bouchard et al.	D14/489
D594,015	S *	6/2009	Singh et al.	D14/486

Primary Examiner — Barbara Fox

(74) *Attorney, Agent, or Firm* — Kilpatrick Townsend & Stockton LLP

(57) **CLAIM**

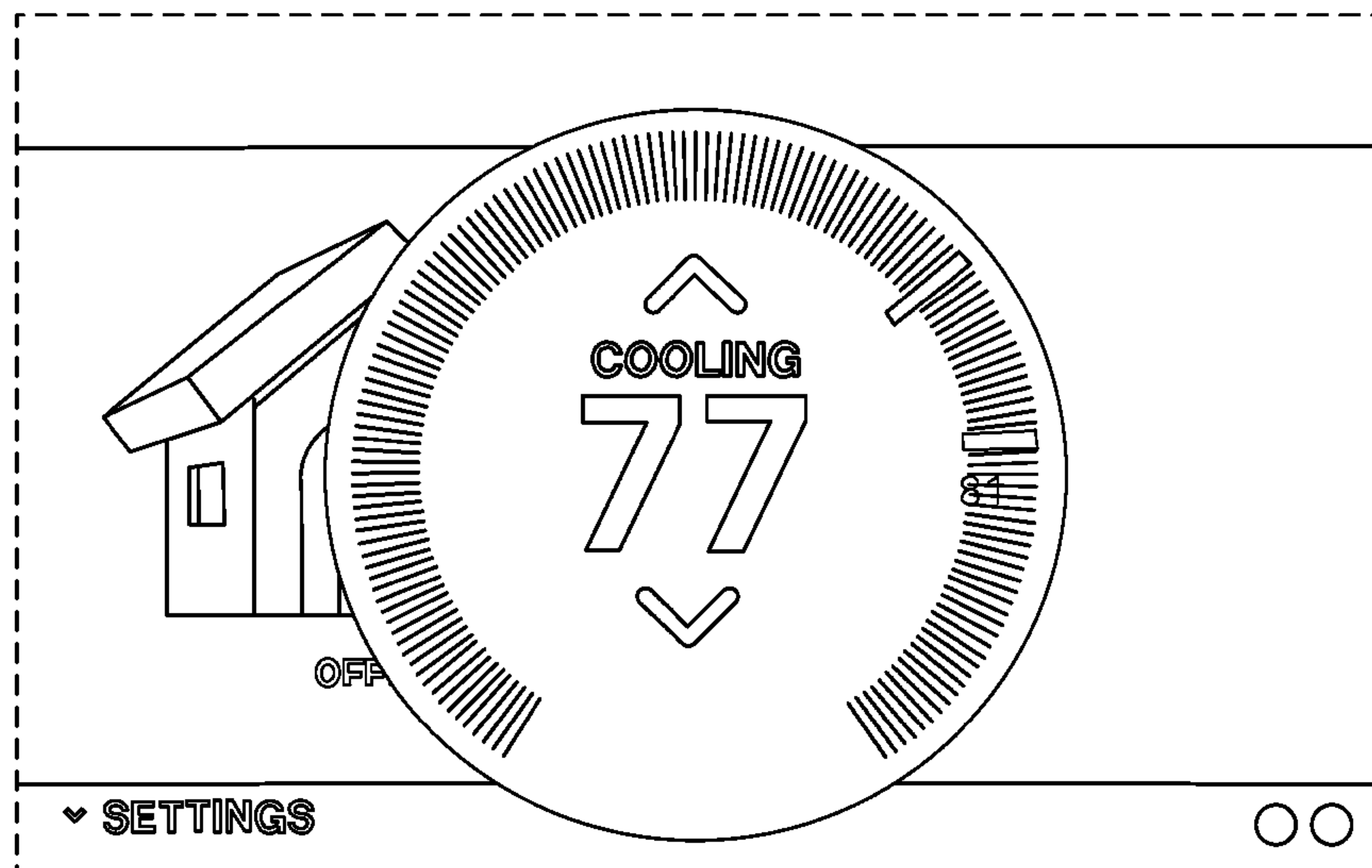
The ornamental design for a display screen or portion thereof with a graphical user interface, as shown and described.

DESCRIPTION

The FIGURE is a front view of a display screen or portion thereof with a graphical user interface showing our new design.

The broken line showing of the display screen is for environmental purposes only and forms no part of the claimed design.

1 Claim, 1 Drawing Sheet



US D701,869 S

Page 2

(56)

References Cited

2010/0122167 A1* 5/2010 Ryu 715/716
2011/0167369 A1* 7/2011 van Os 715/769

U.S. PATENT DOCUMENTS

2009/0273610 A1* 11/2009 Busch et al. 345/619 * cited by examiner

