



US00D701863S

(12) **United States Design Patent**
Byrne et al.

(10) **Patent No.:** **US D701,863 S**
(45) **Date of Patent:** **** Apr. 1, 2014**

(54) **DATA CONNECTOR HOUSING**
(71) Applicants: **Norman R. Byrne**, Ada, MI (US);
Daniel P. Byrne, Lowell, MI (US)
(72) Inventors: **Norman R. Byrne**, Ada, MI (US);
Daniel P. Byrne, Lowell, MI (US)
(**) Term: **14 Years**
(21) Appl. No.: **29/436,246**
(22) Filed: **Nov. 2, 2012**
(51) **LOC (10) Cl.** **14-02**
(52) **U.S. Cl.**
USPC **D14/433**
(58) **Field of Classification Search**
USPC D14/300–302, 308–313, 314, 348,
D14/353–355, 432, 439–446, 240;
361/679.02, 679.31, 679.5, 690, 694,
361/679.23, 801, 802; 312/332.1, 334.1;
D13/162; D10/50
See application file for complete search history.

(56) **References Cited**
U.S. PATENT DOCUMENTS
4,884,978 A * 12/1989 Inaba et al. 439/352
4,884,981 A * 12/1989 Chandler et al. 439/607.41
(Continued)

Primary Examiner — Austin Murphy
(74) *Attorney, Agent, or Firm* — Gardner, Linn, Burkhardt & Flory, LLP

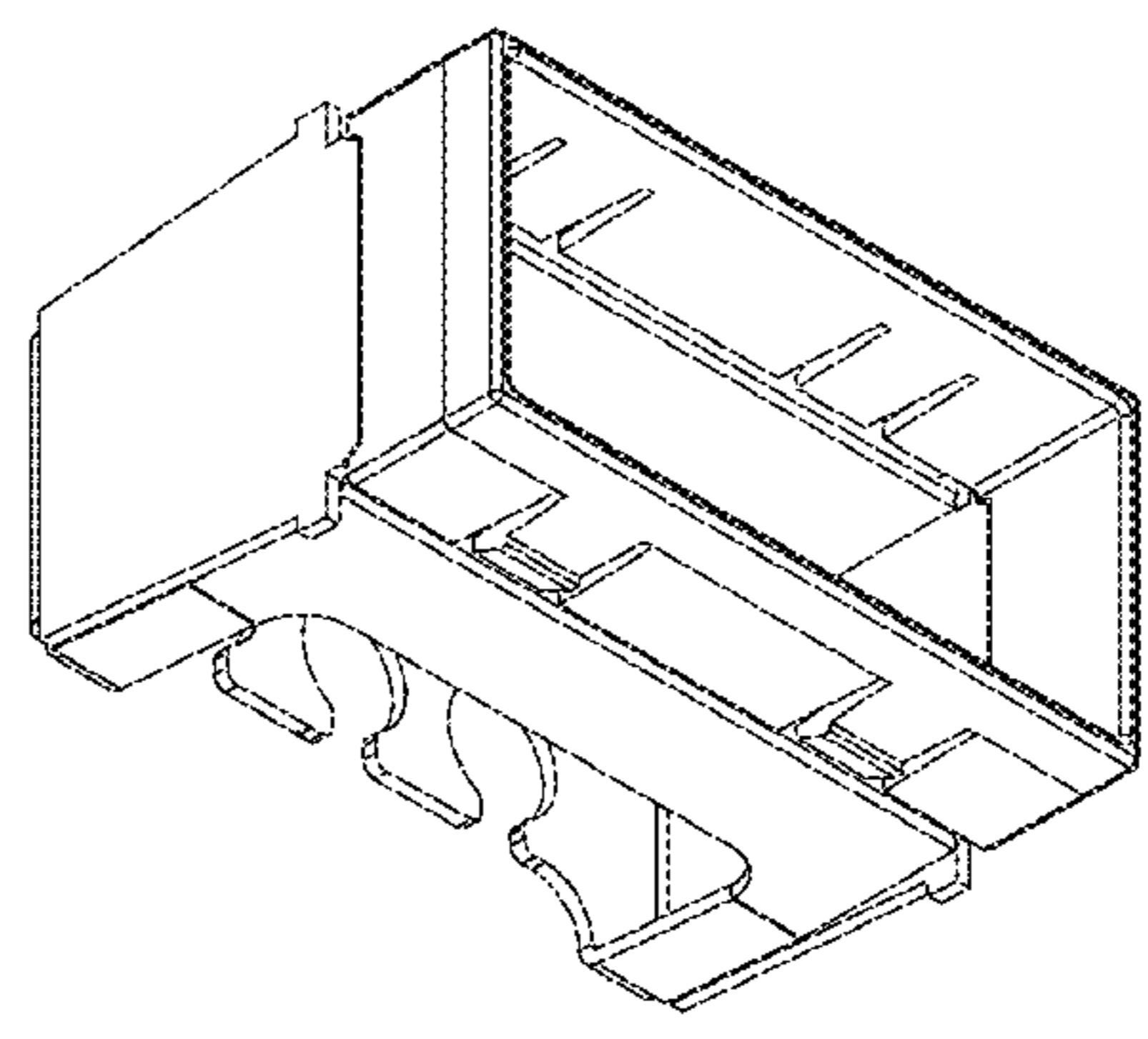
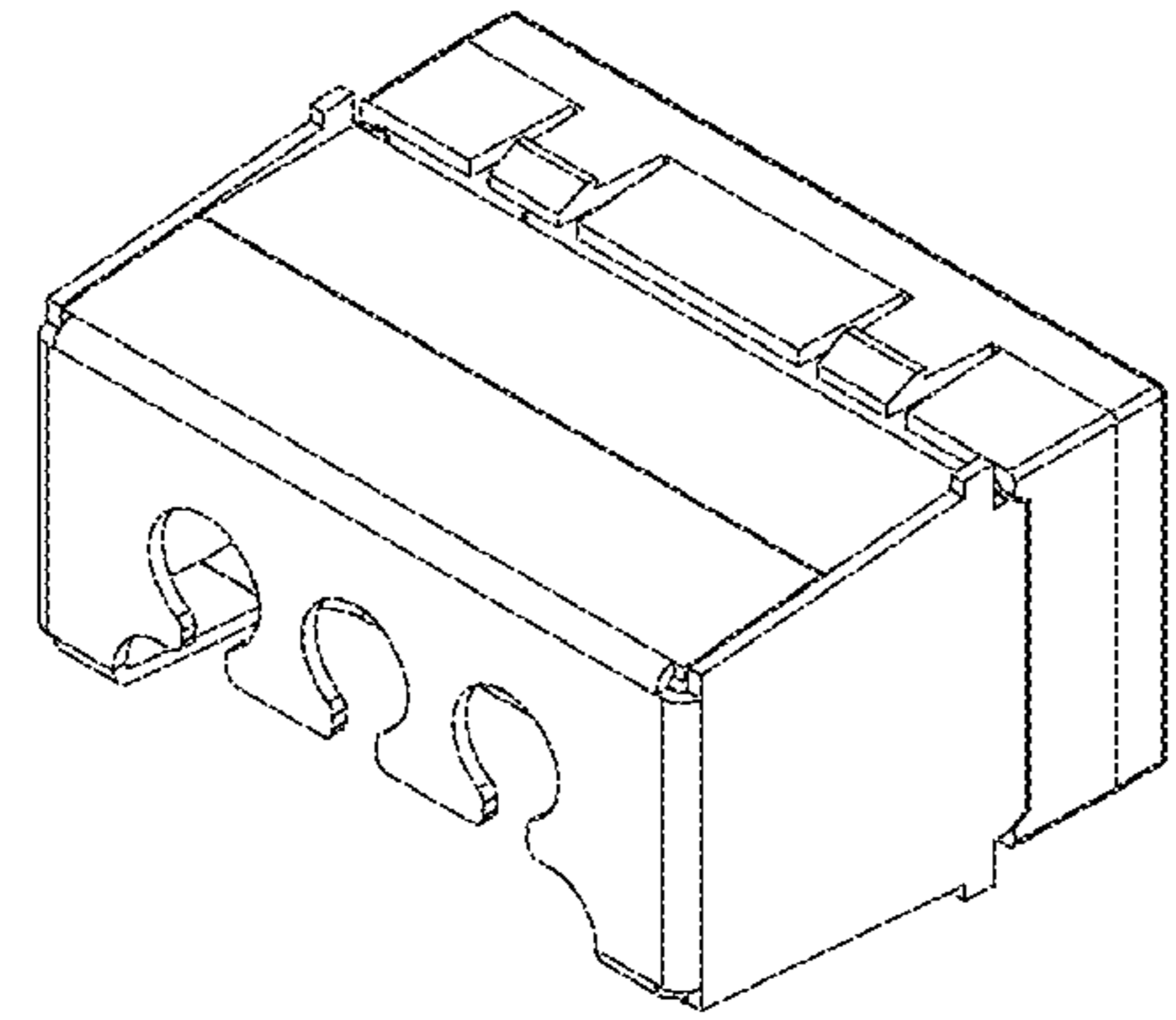
(57) **CLAIM**
The ornamental design for a data connector housing, as shown and described.

DESCRIPTION

FIG. 1 is a perspective view of a data connector housing showing our new design, taken from the top-front and to the side;
FIG. 2 is another perspective view of the data connector housing of FIG. 1, taken from the top-rear and to the side;

FIG. 3 is another perspective view of the data connector housing of FIG. 1, taken from bottom-front and to the side;
FIG. 4 is another perspective view of the data connector housing of FIG. 1, taken from the bottom-rear and to the side;
FIG. 5 is a front elevation of the data connector housing of FIG. 1;
FIG. 6 is a rear elevation of the data connector housing of FIG. 1;
FIG. 7 is a top plan view of the data connector housing of FIG. 1;
FIG. 8 is a bottom plan view of the data connector housing of FIG. 1;
FIG. 9 is a right side elevation of the data connector housing of FIG. 1;
FIG. 10 is a left side elevation of the data connector housing of FIG. 1;
FIG. 11 is a perspective view of another data connector housing showing our new design, taken from the top-front and to the side;
FIG. 12 is another perspective view of the data connector housing of FIG. 11, taken from the top-rear and to the side;
FIG. 13 is another perspective view of the data connector housing of FIG. 11, taken from bottom-front and to the side;
FIG. 14 is another perspective view of the data connector housing of FIG. 11, taken from the bottom-rear and to the side;
FIG. 15 is a front elevation of the data connector housing of FIG. 11;
FIG. 16 is a rear elevation of the data connector housing of FIG. 11;
FIG. 17 is a top plan view of the data connector housing of FIG. 11;
FIG. 18 is a bottom plan view of the data connector housing of FIG. 11;
FIG. 19 is a right side elevation of the data connector housing of FIG. 11;
FIG. 20 is a left side elevation of the data connector housing of FIG. 11;
FIG. 21 is a top-front perspective view of the data connector housing of FIG. 11 shown in an exemplary operating environment; and,
FIG. 22 is a bottom-front perspective view of the data connector housing and operating environment of FIG. 21.
The broken lines are included for the purpose of illustrating portions of the data connector housing that form no part of the claimed design.

1 Claim, 11 Drawing Sheets



(56)

References Cited

U.S. PATENT DOCUMENTS

4,990,094	A *	2/1991	Chandler et al.	439/108	D391,938	S *	3/1998	D'Agaro et al.	D14/439
D321,859	S *	11/1991	Nagasaka et al.	D13/146	D434,395	S *	11/2000	Mazzetti et al.	D14/439
5,074,803	A *	12/1991	Chandler et al.	439/347	6,290,518	B1	9/2001	Byrne	
D324,846	S *	3/1992	Shibano	D13/147	6,379,182	B1	4/2002	Byrne	
5,169,336	A *	12/1992	Taguchi	439/489	D474,154	S *	5/2003	Lai	D13/147
5,169,346	A *	12/1992	Johnston	439/676	D488,815	S *	4/2004	Hashimoto et al.	D14/433
D337,307	S *	7/1993	Suzuki	D13/147	D523,014	S *	6/2006	Liu et al.	D14/433
5,330,369	A *	7/1994	Nozaki et al.	439/489	D524,815	S *	7/2006	McRae et al.	D14/433
D374,663	S *	10/1996	Rodrigues et al.	D14/433	7,736,178	B2	6/2010	Byrne	
					D660,237	S	5/2012	Byrne	
					8,295,036	B2	10/2012	Byrne	
					8,444,432	B2	5/2013	Byrne et al.	

* cited by examiner

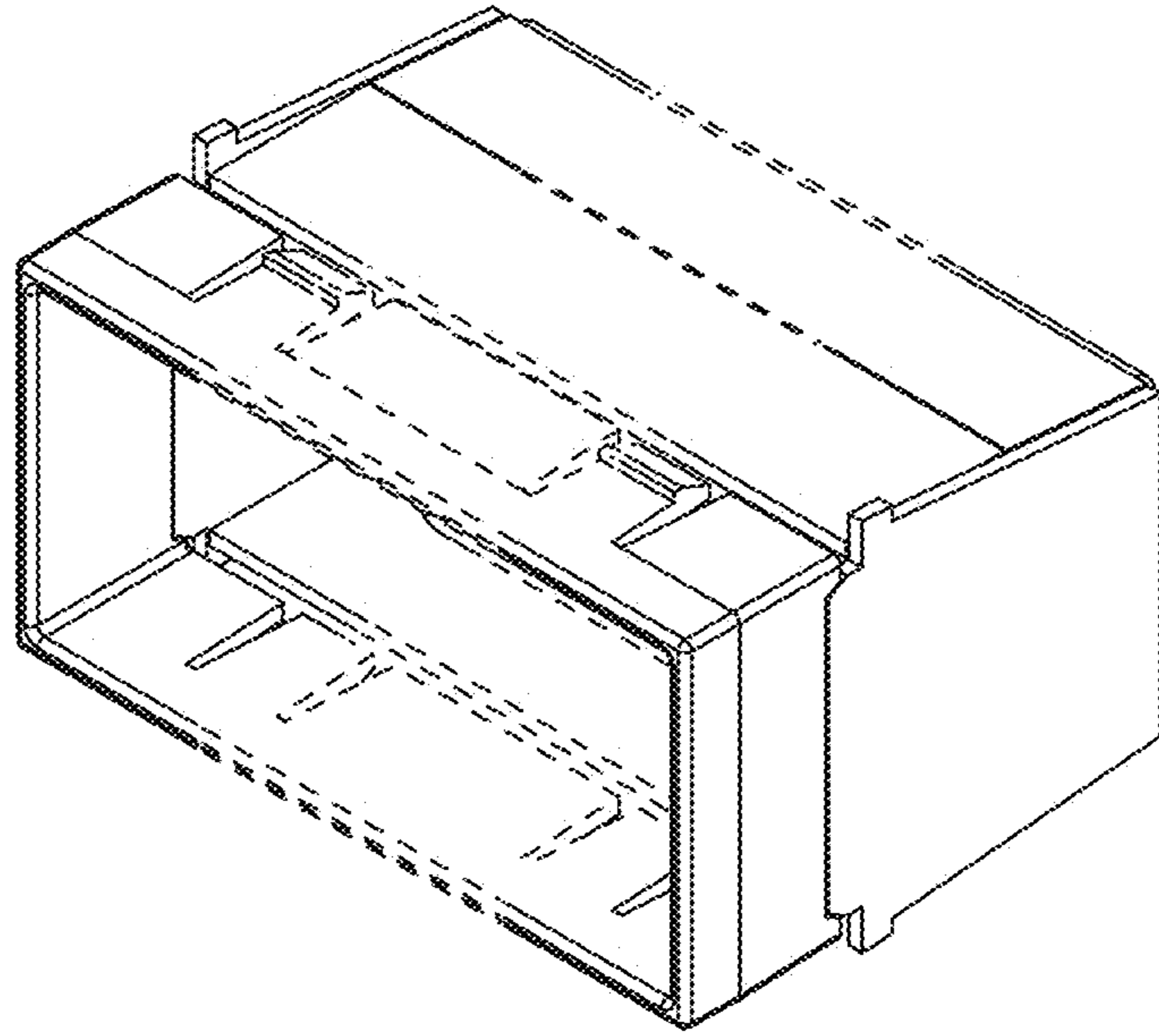


Fig. 1

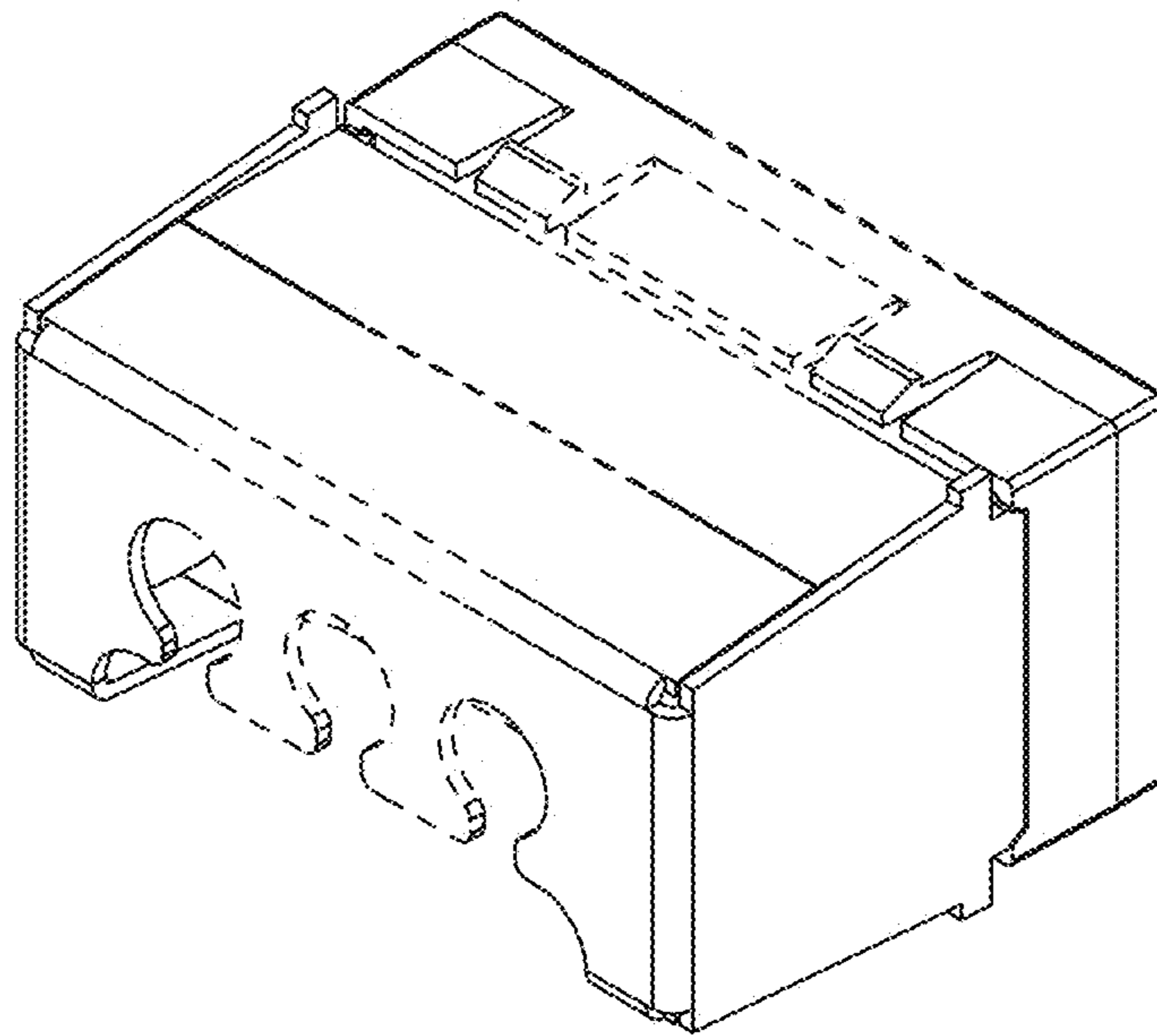


Fig. 2

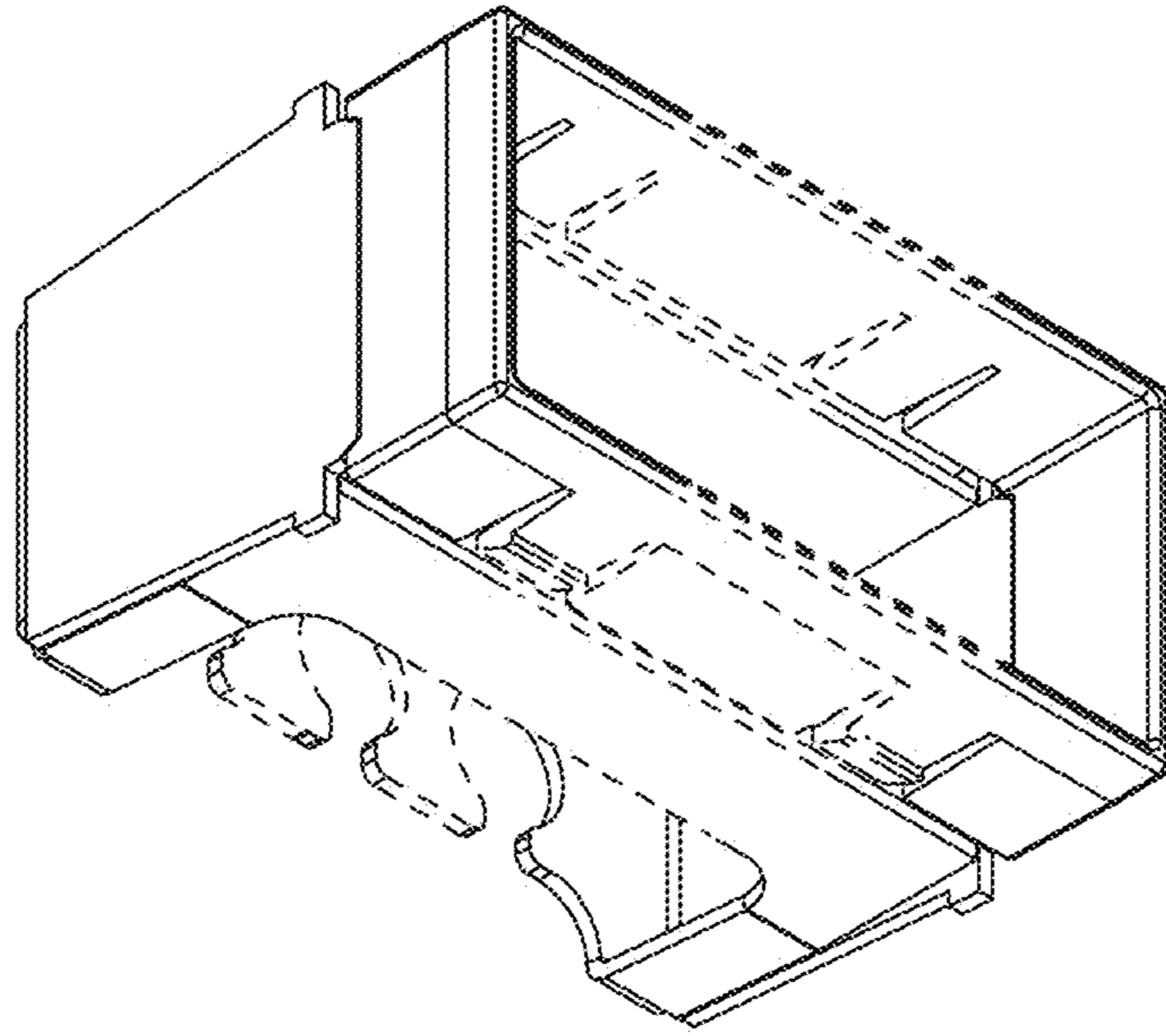


Fig. 3

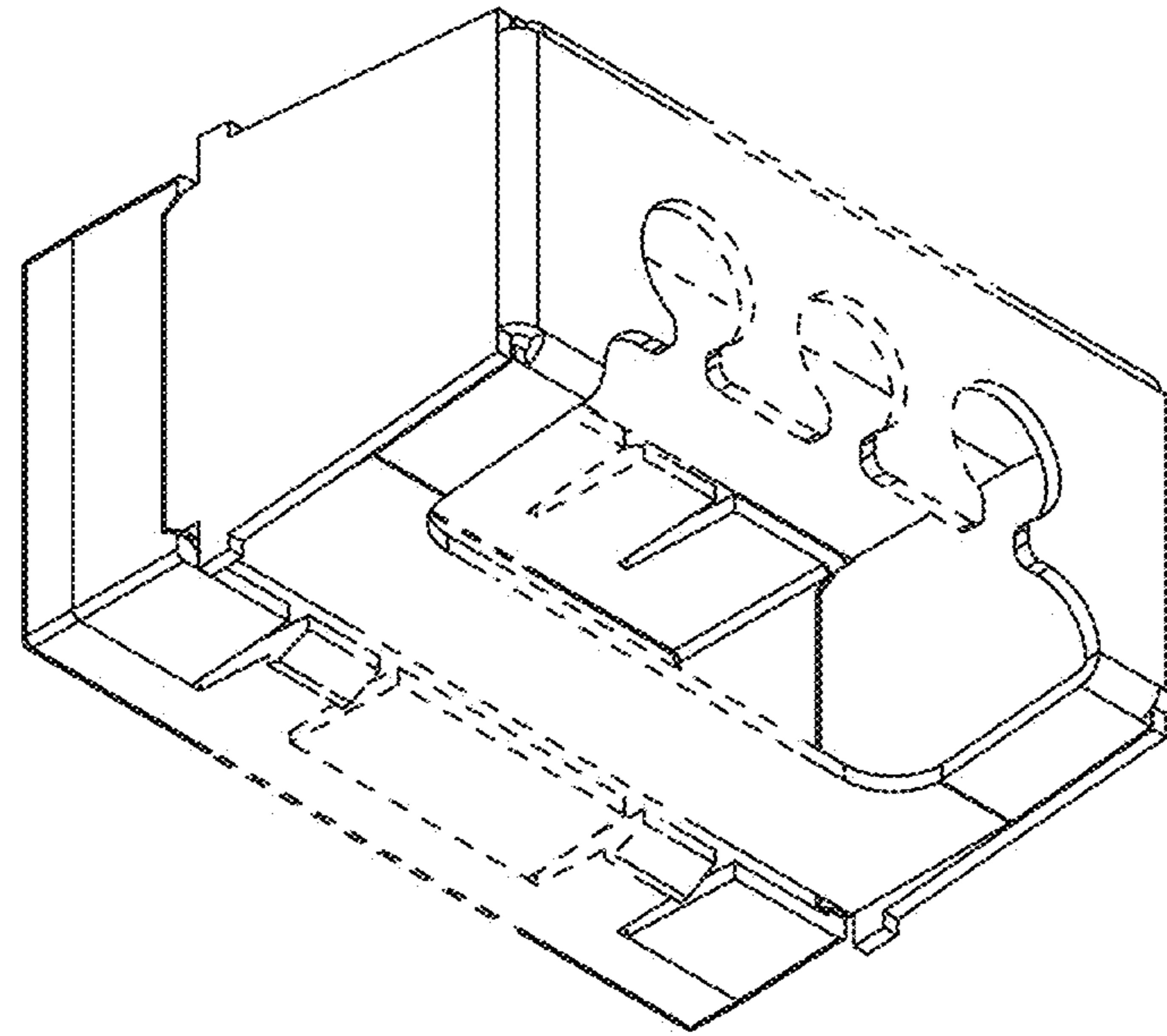


Fig. 4

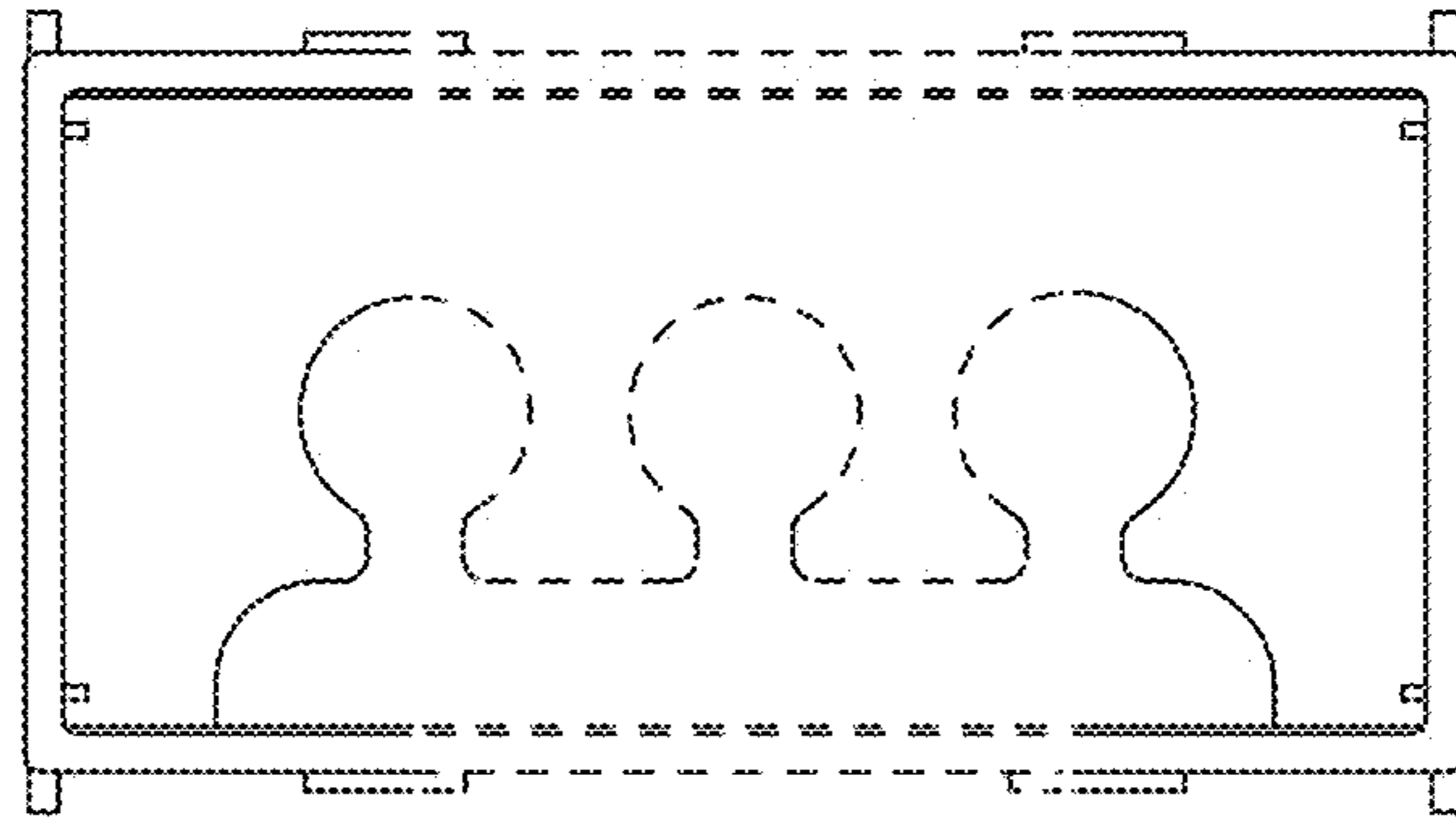


Fig. 5

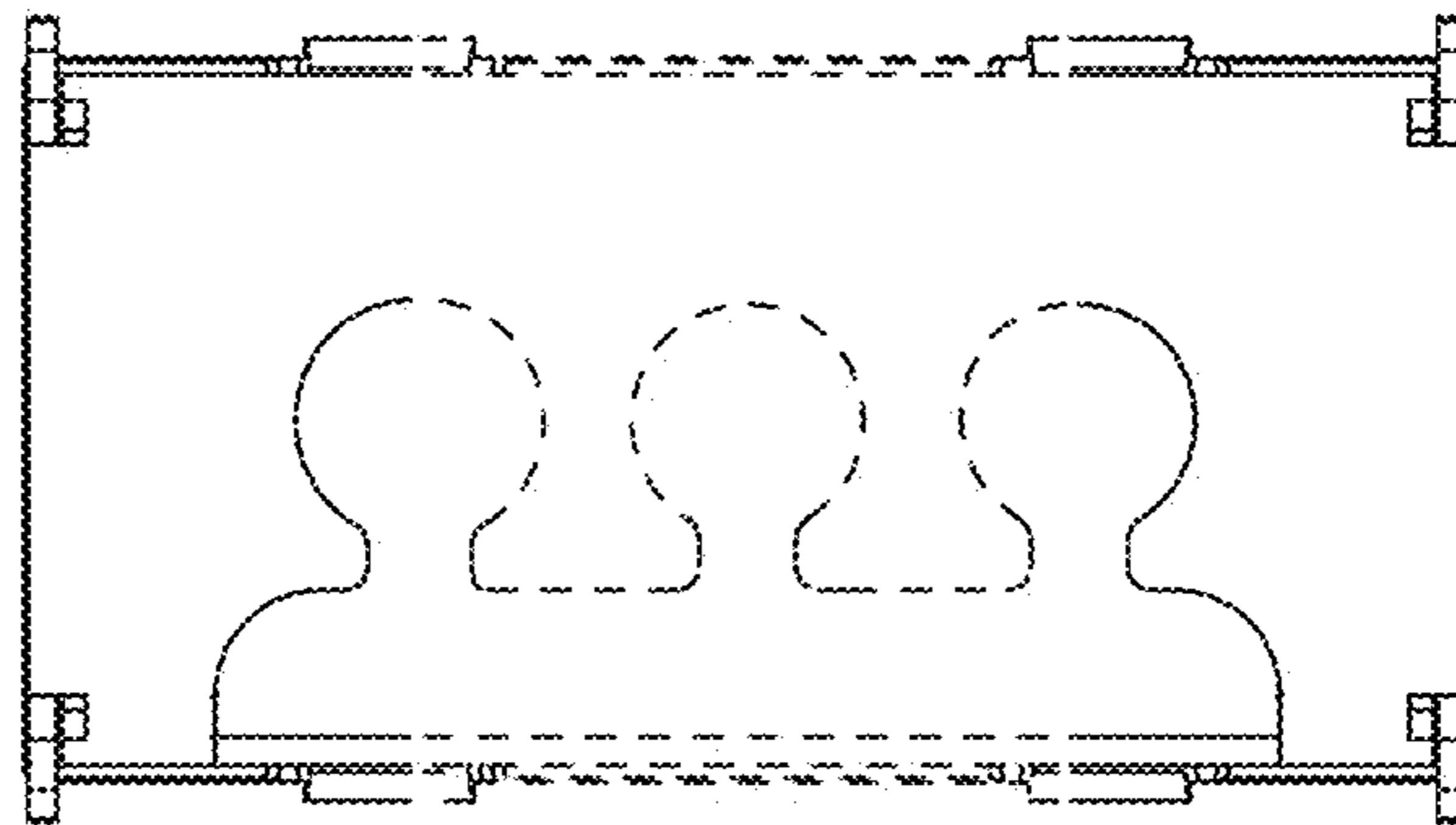


Fig. 6

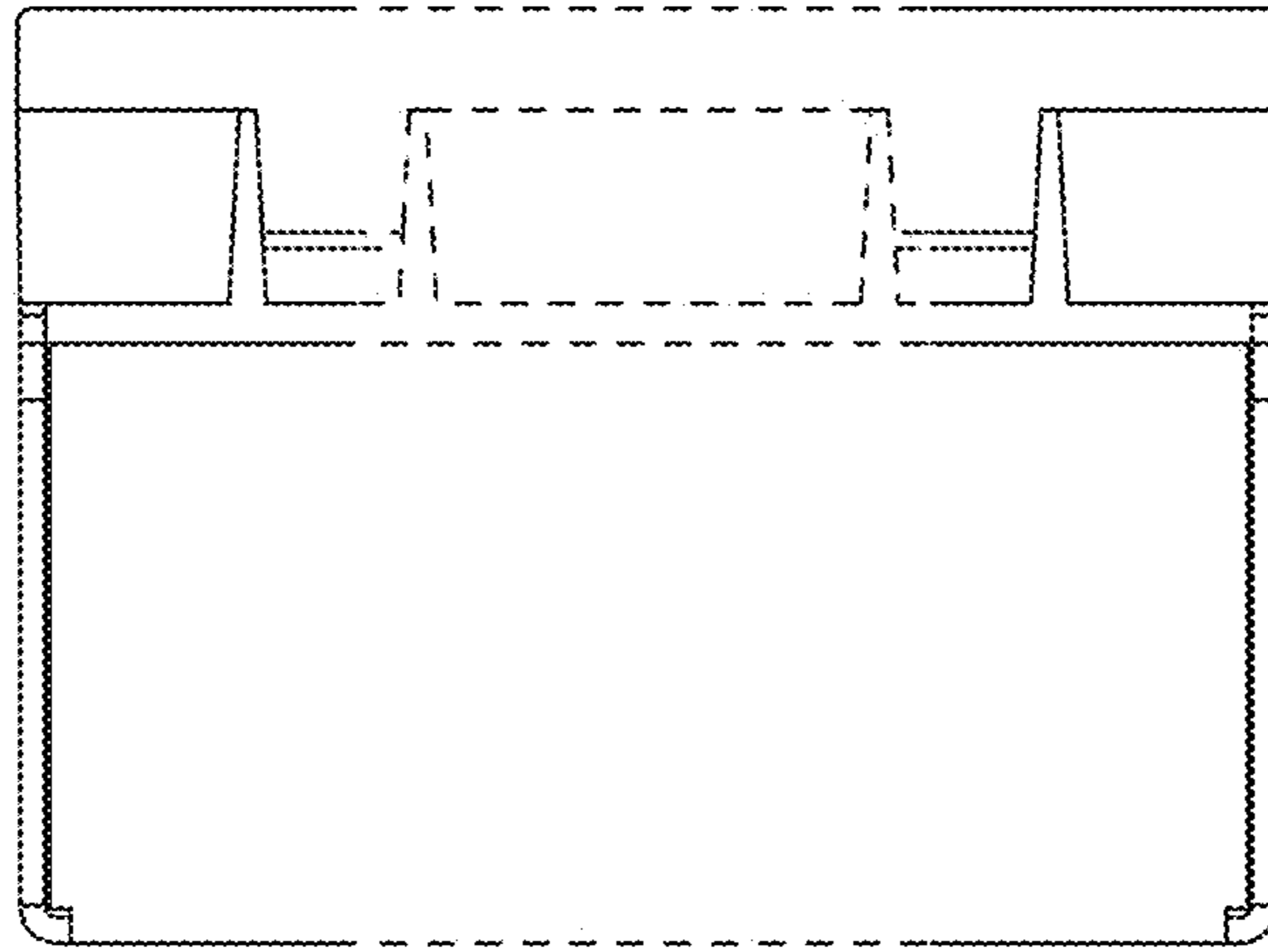


Fig. 7

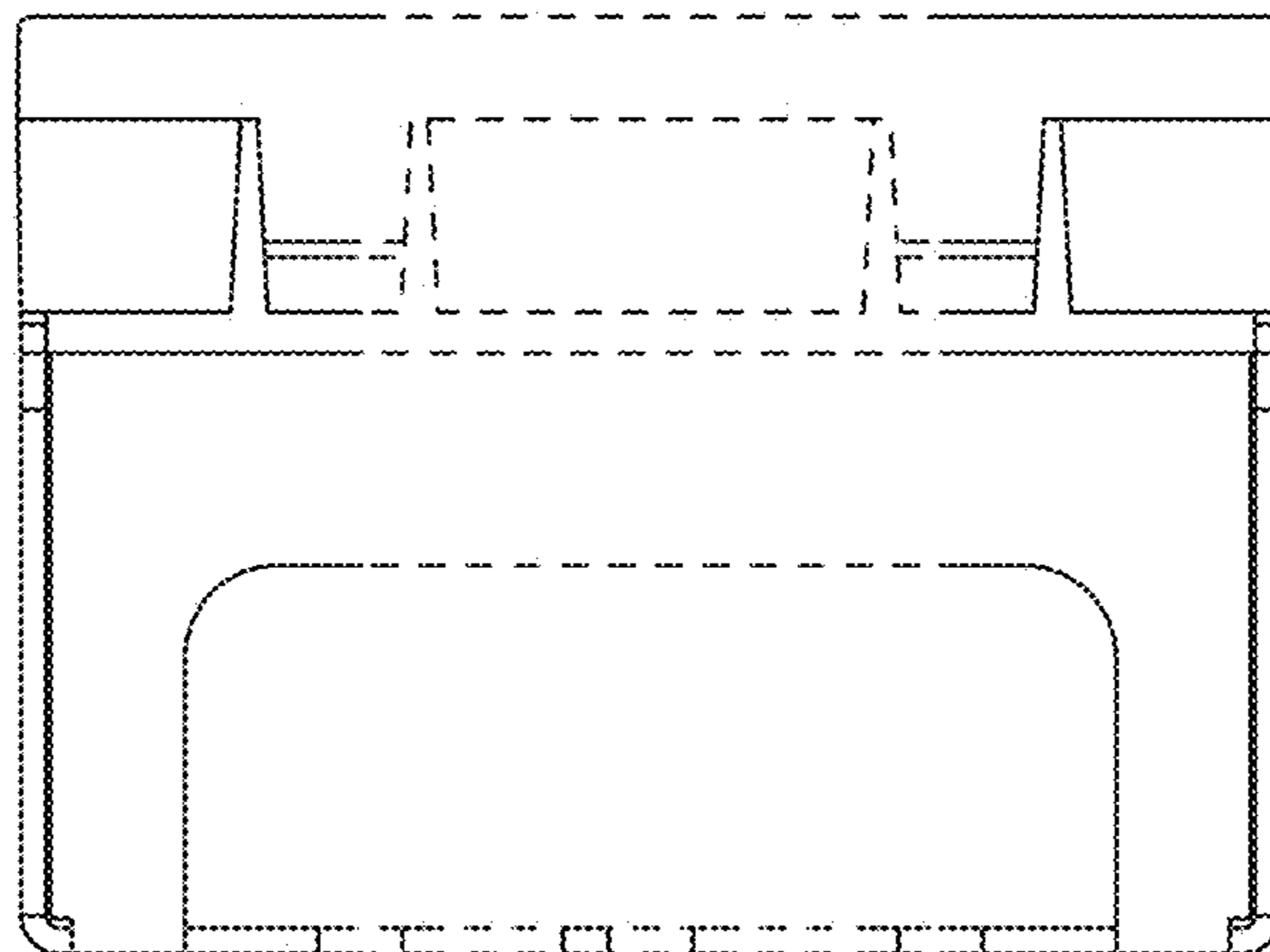


Fig. 8

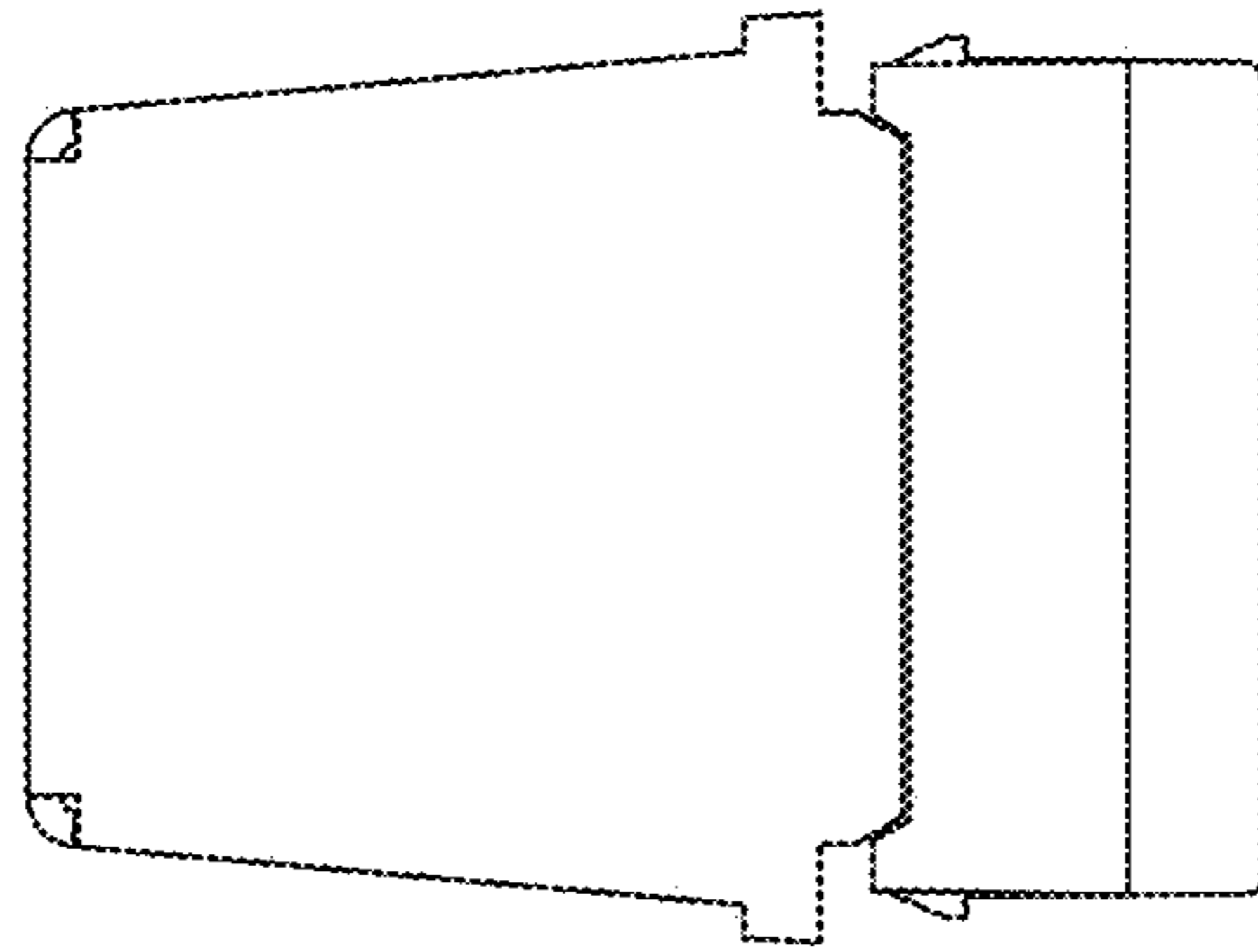


Fig. 9

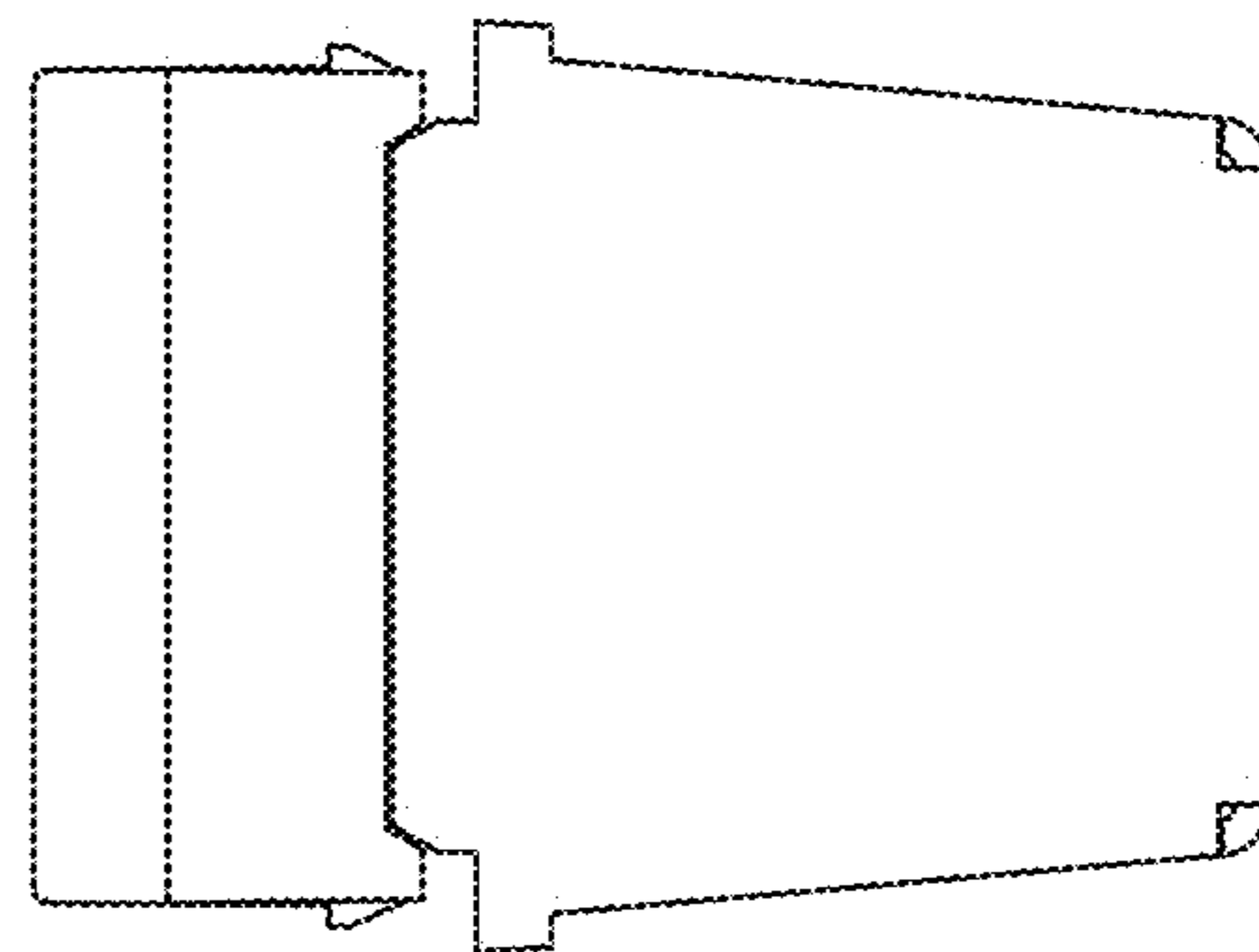


Fig. 10

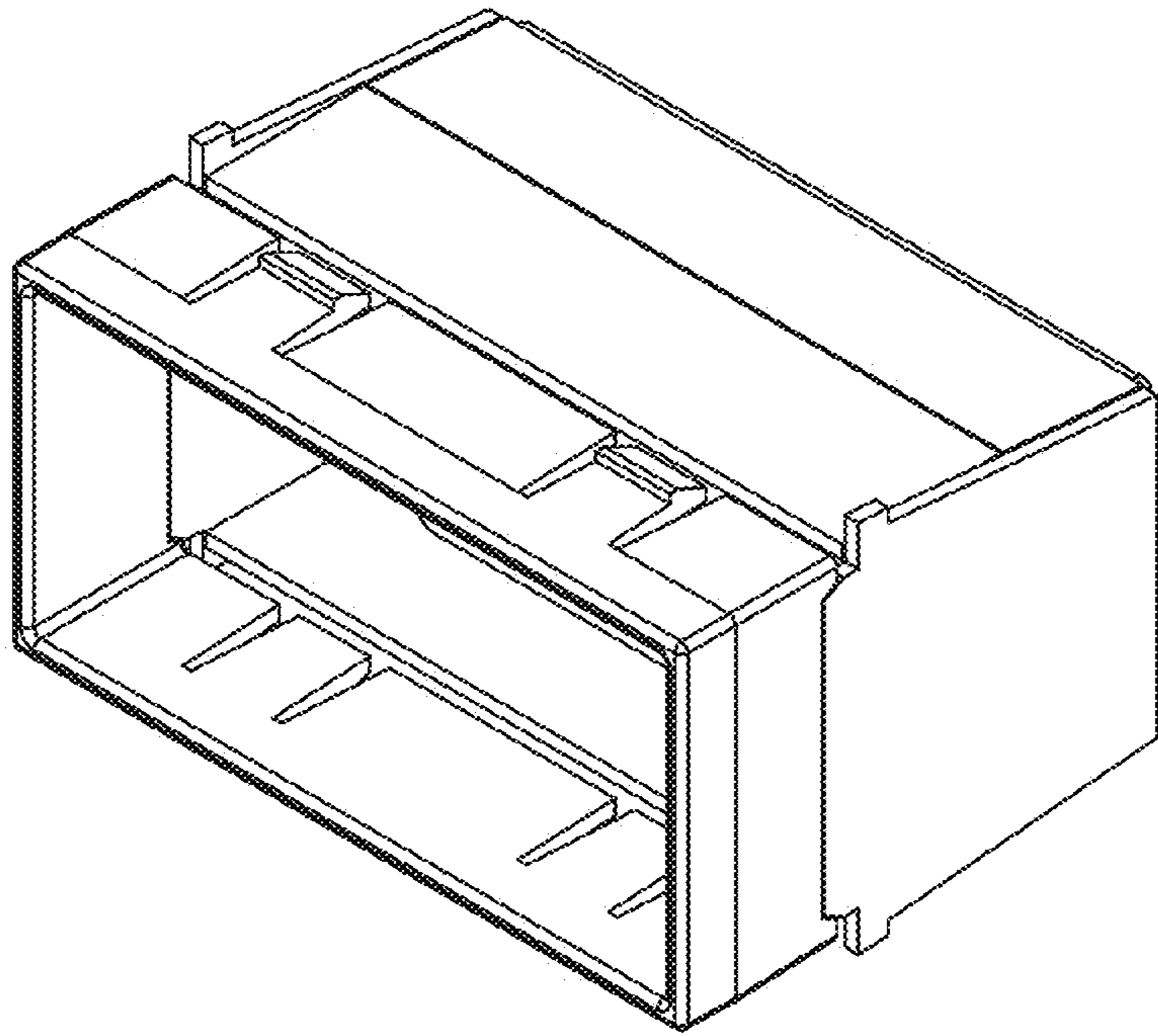


Fig. 11

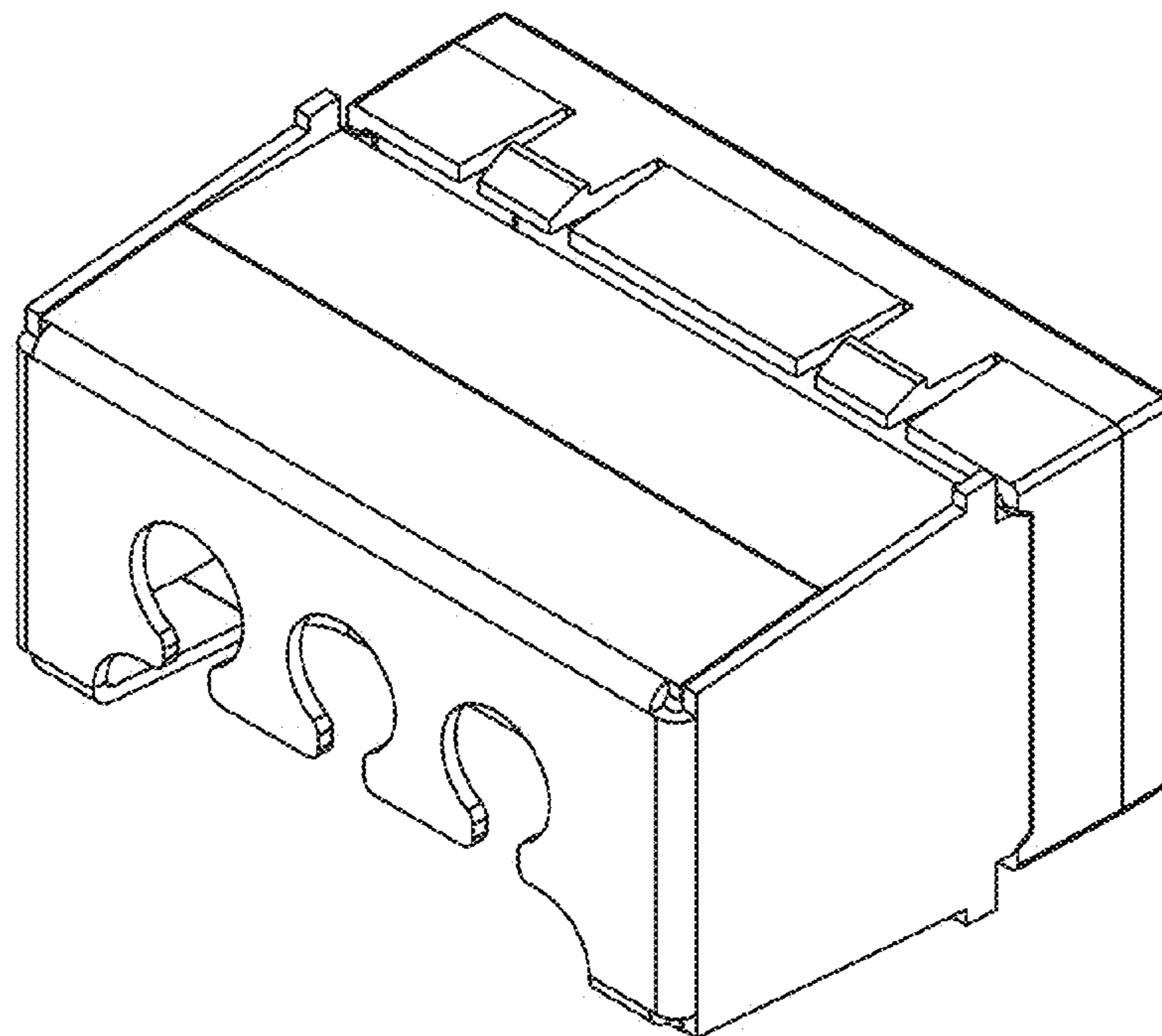


Fig. 12

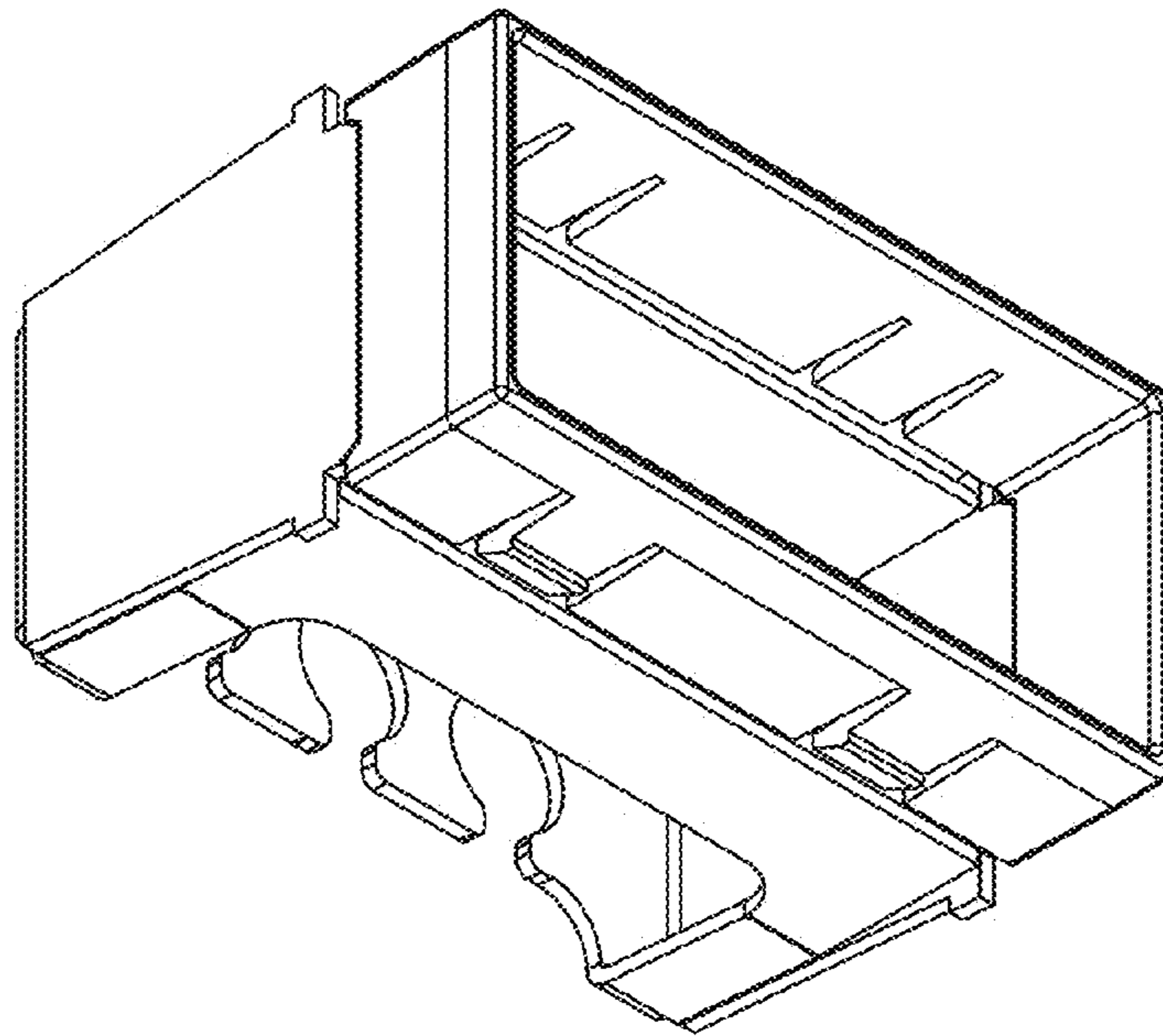


Fig. 13

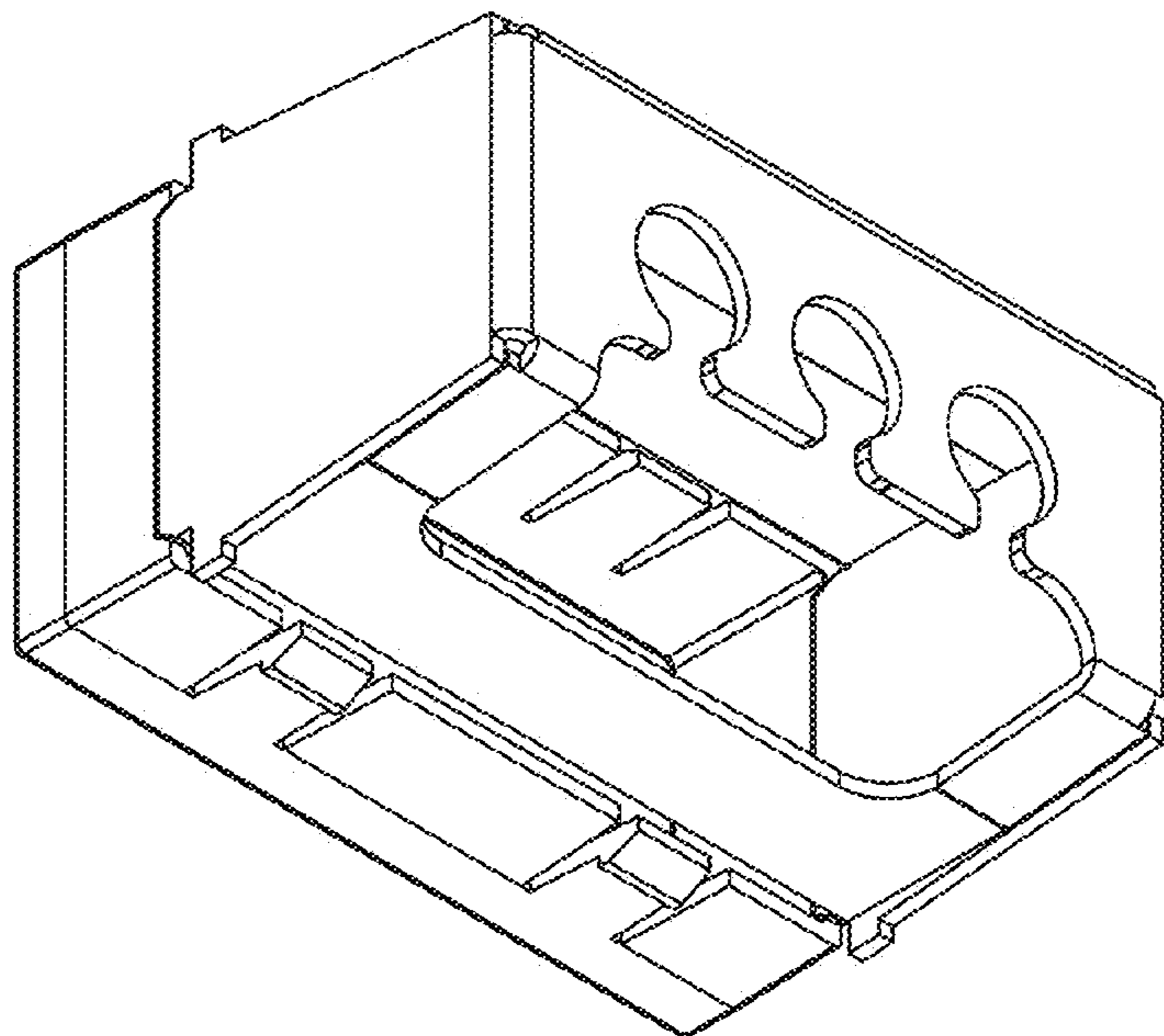


Fig. 14

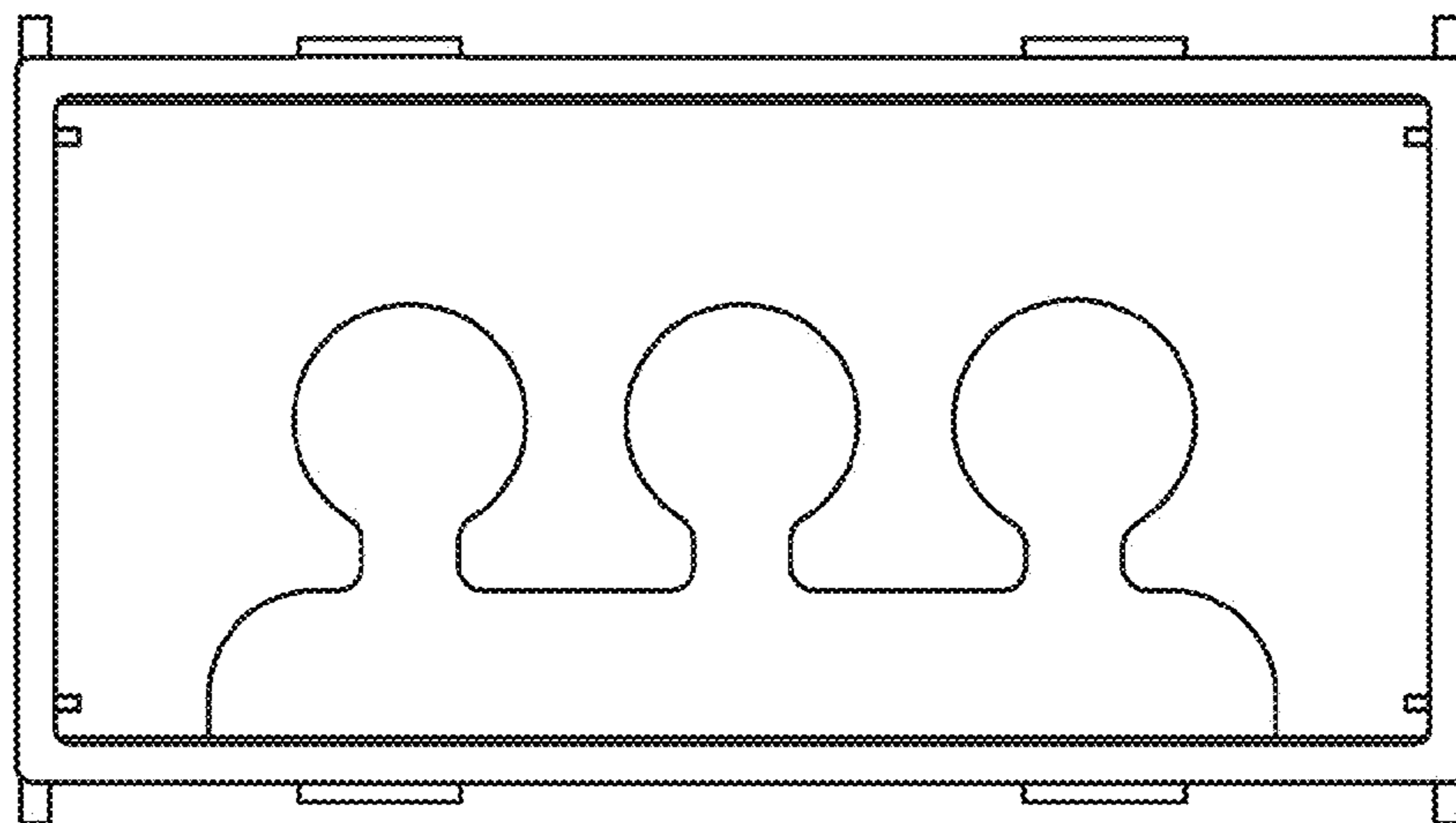


Fig. 15

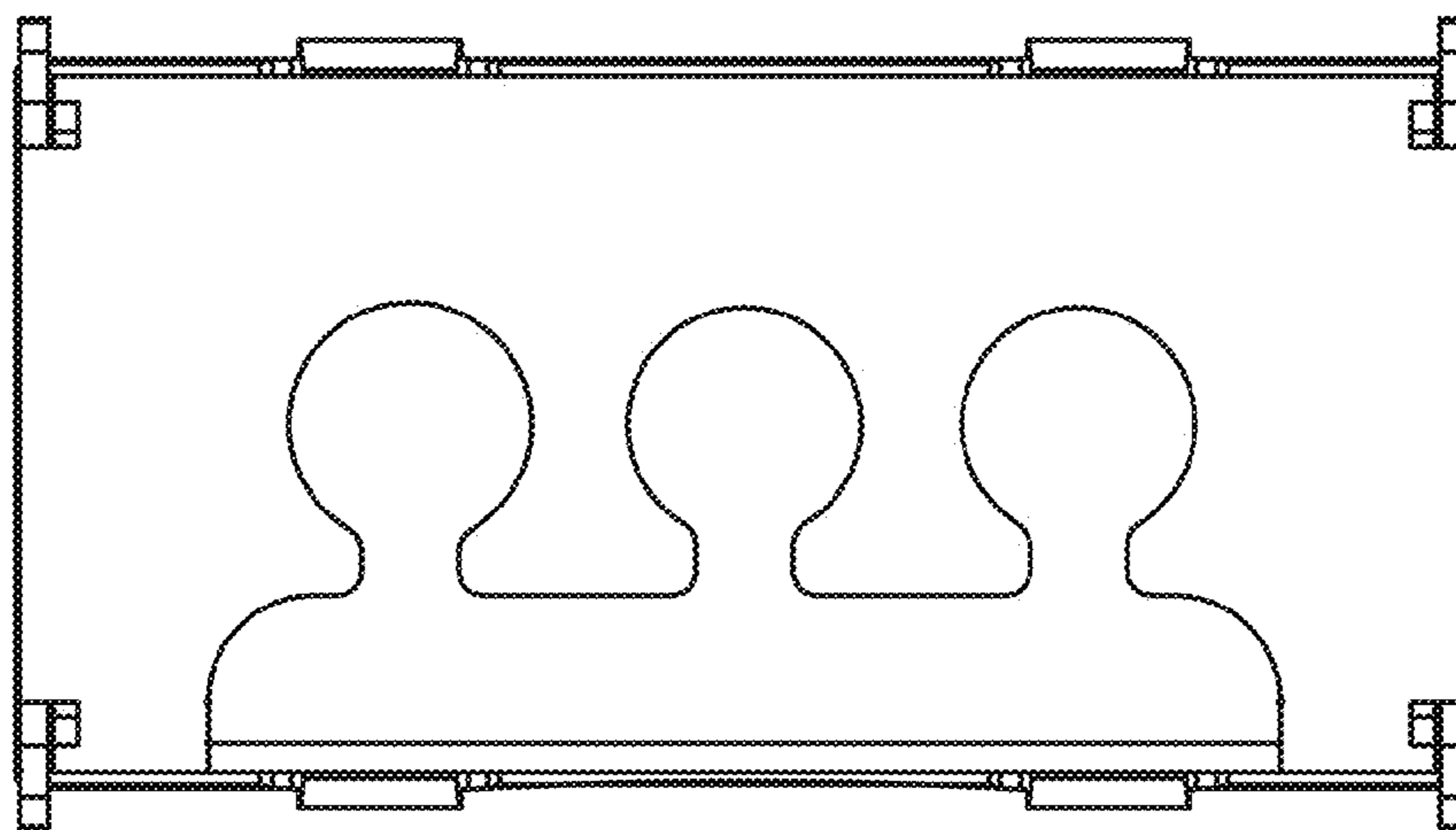


Fig. 16

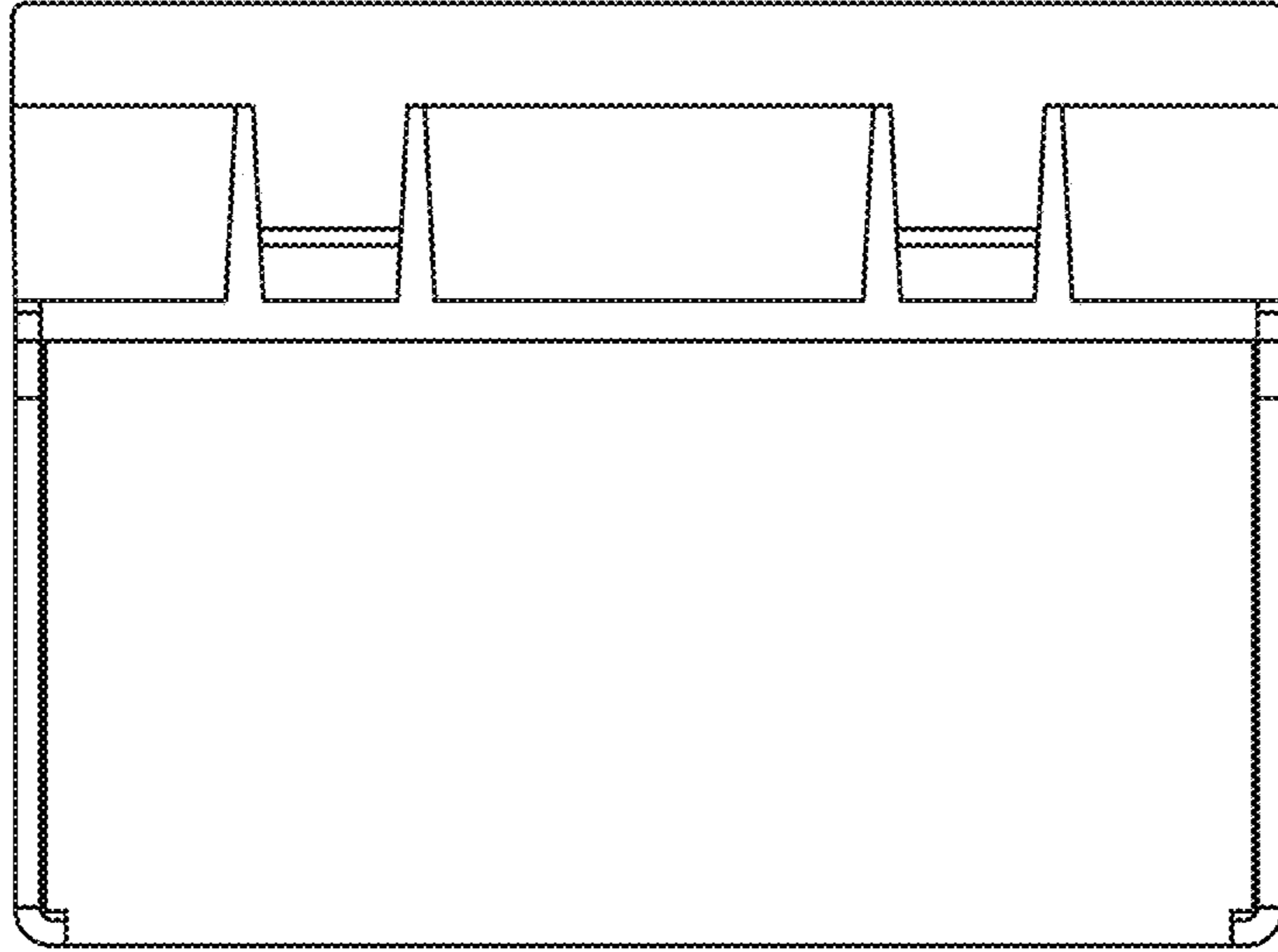


Fig. 17

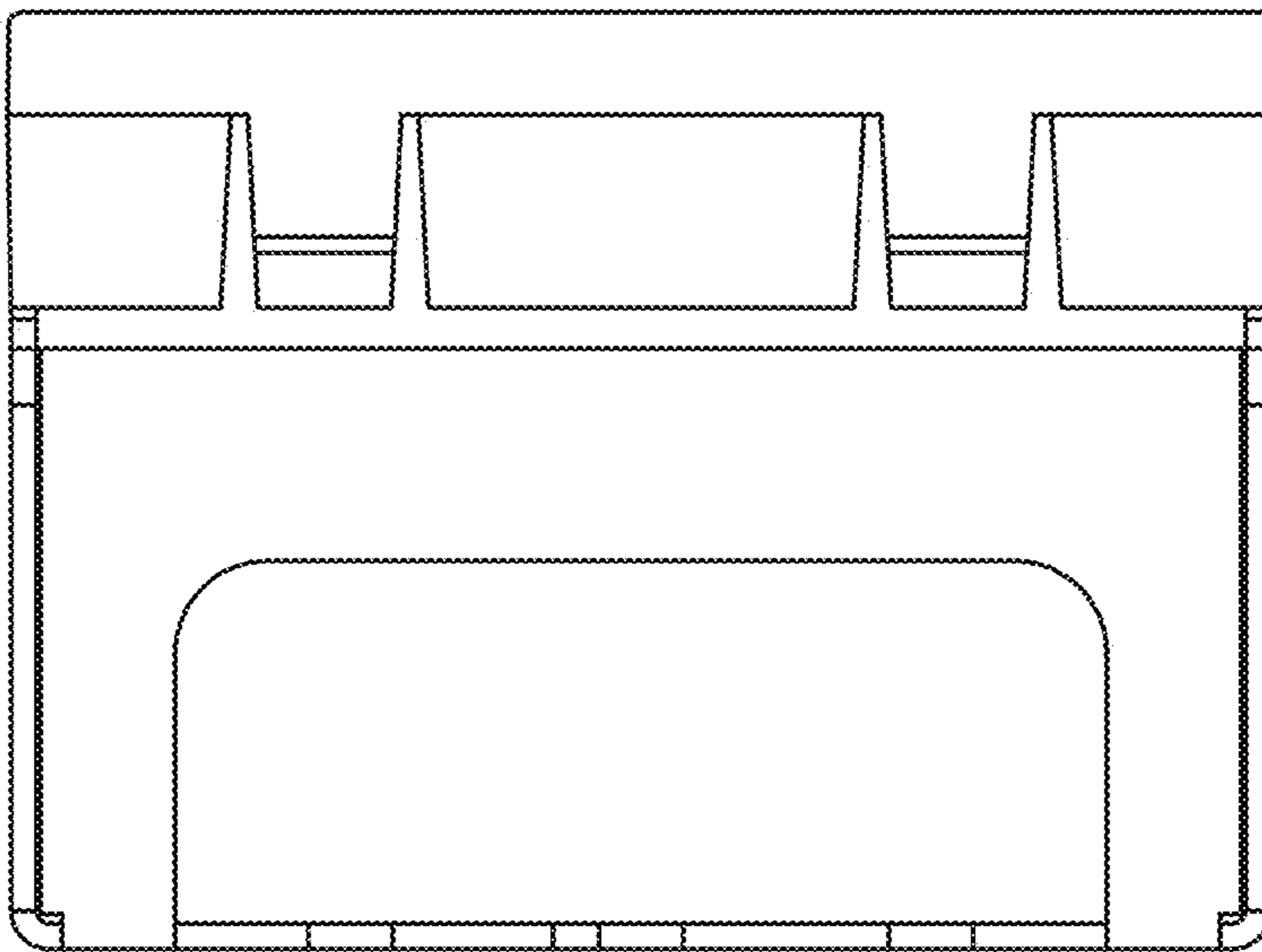


Fig. 18

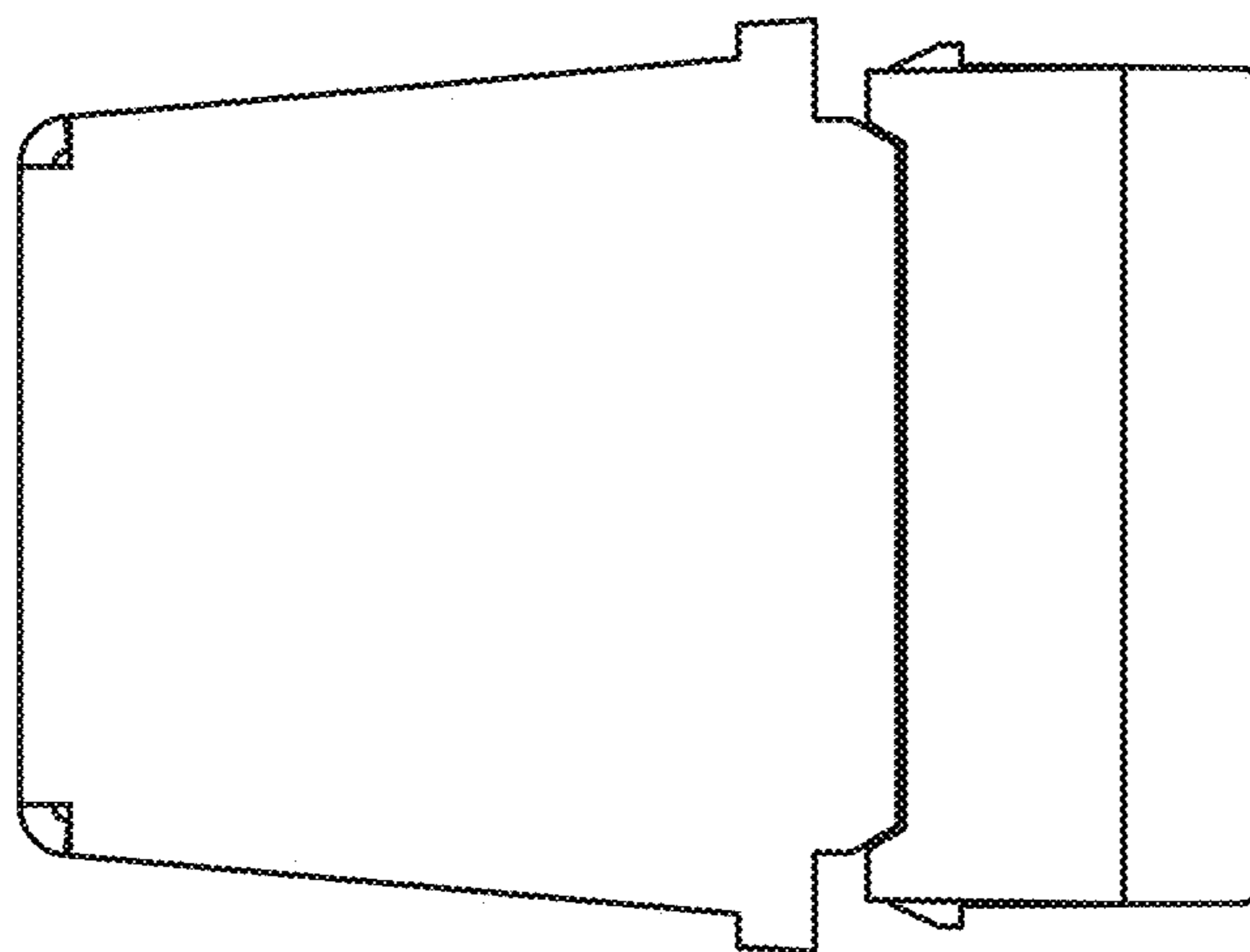


Fig. 19

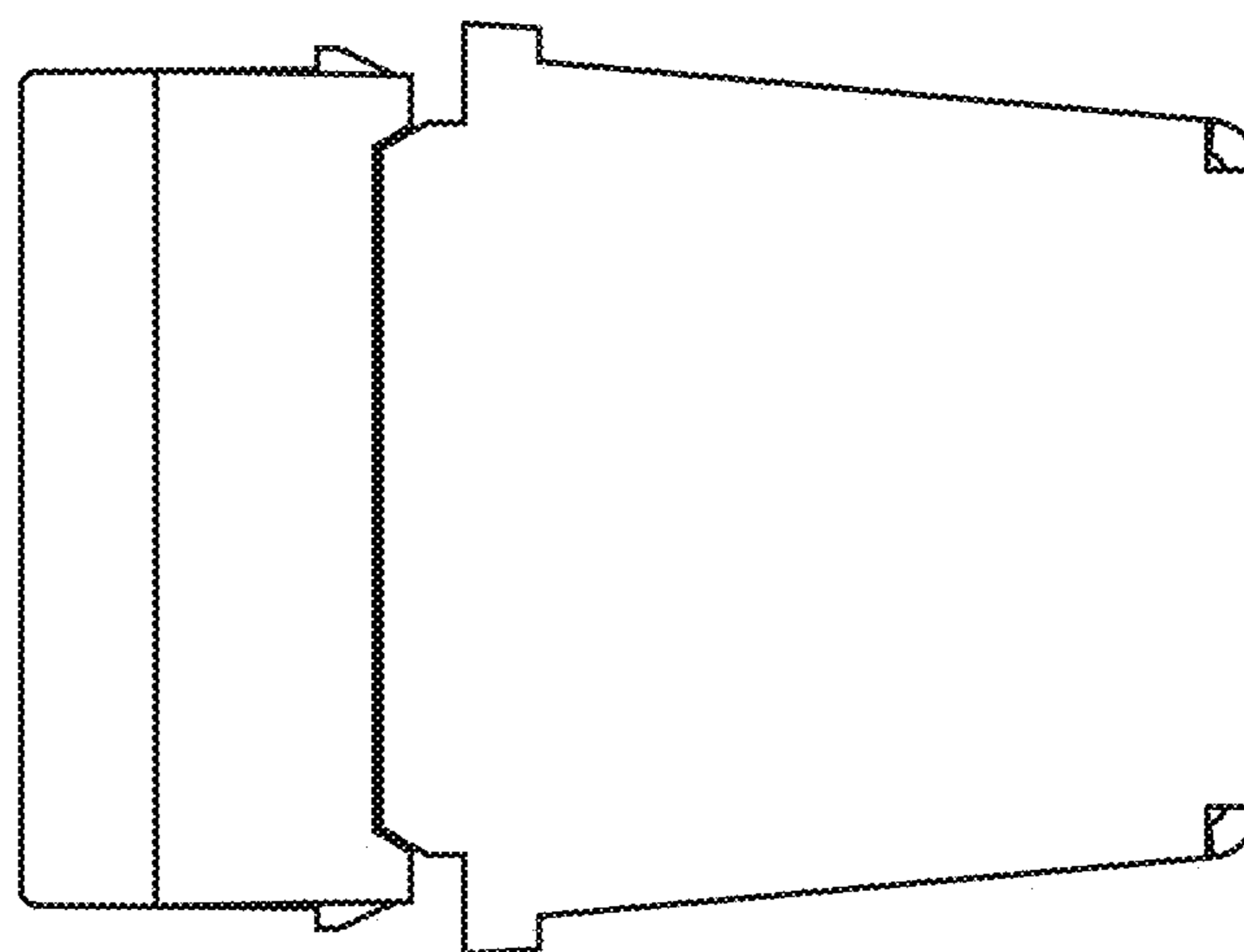


Fig. 20

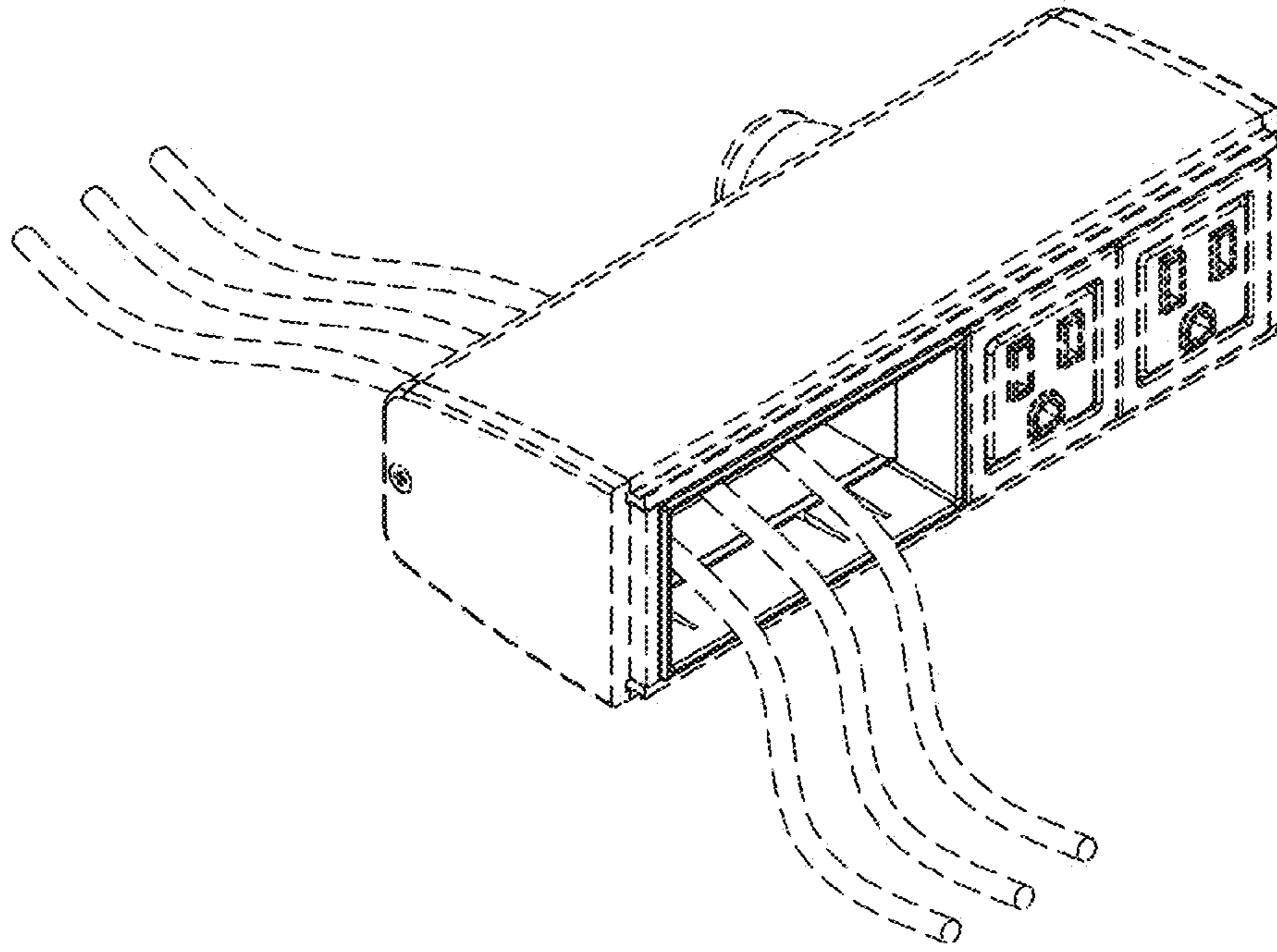


Fig. 21

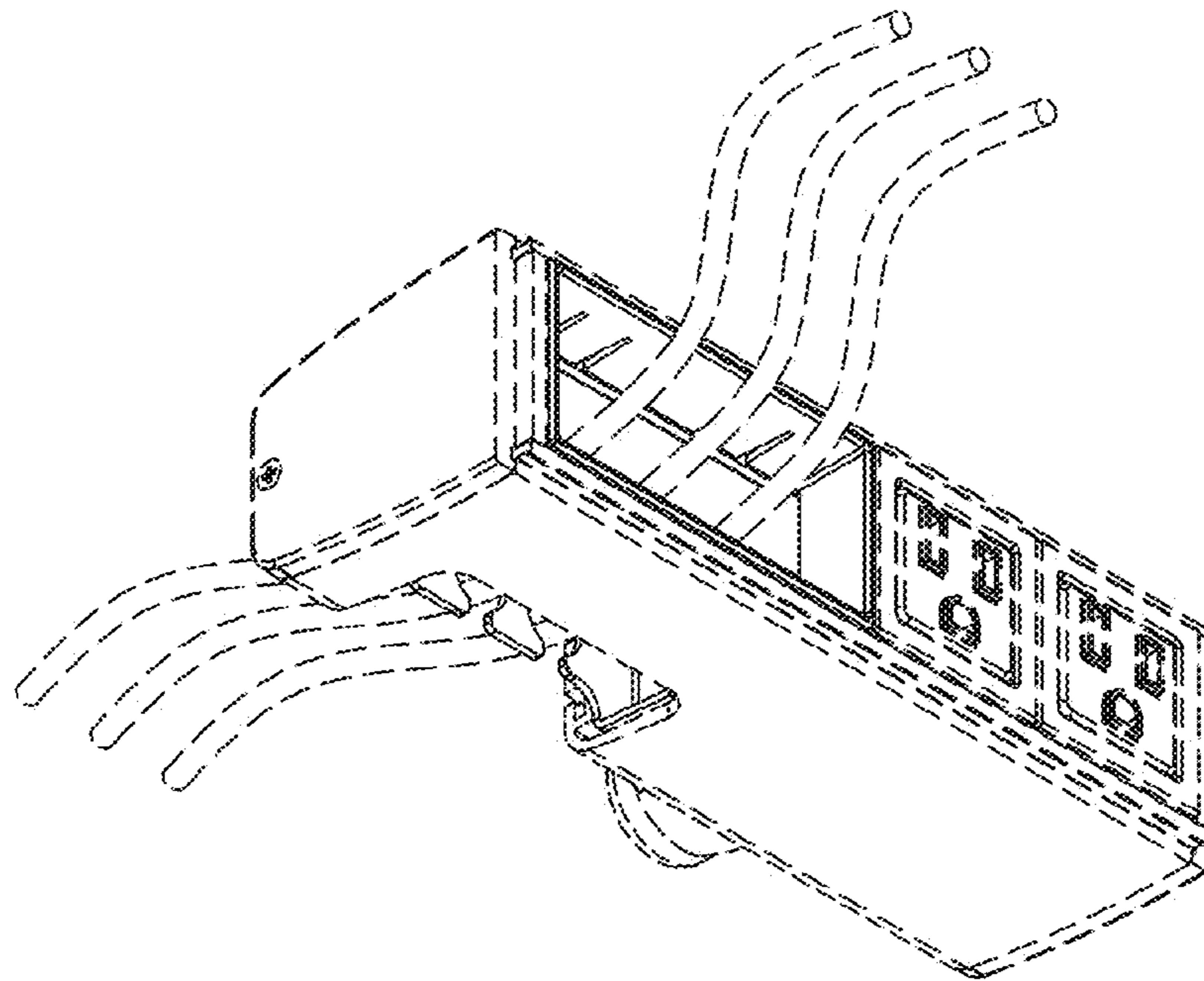


Fig. 22