



US00D701857S

(12) **United States Design Patent**
Ding

(10) **Patent No.:** **US D701,857 S**

(45) **Date of Patent:** **** Apr. 1, 2014**

(54) **MEDIA HOLDER**

Multifunctional-Anti-Slip-Gadget-Holder; in use at least as early as Mar. 21, 2011.

(75) Inventor: **Jimmy Ding**, Ningbo (CN)

(Continued)

(73) Assignee: **EBSCO Industries, Inc**, Birmingham, AL (US)

Primary Examiner — Susan Bennett Hattan

Assistant Examiner — Janice Hallmark

(**) Term: **14 Years**

(74) *Attorney, Agent, or Firm* — Robert J. Veal

(21) Appl. No.: **29/428,656**

(57) **CLAIM**

The ornamental design for a media holder, as shown and described.

(22) Filed: **Aug. 1, 2012**

(51) **LOC (10) Cl.** **14-03**

(52) **U.S. Cl.**
USPC **D14/253**

DESCRIPTION

(58) **Field of Classification Search**
USPC D14/140, 140.8, 142, 243–256, 434,
D14/447; D3/215, 218; D2/861; D6/300,
D6/310, 467, 553–574; 292/342, 343;
D19/90

FIG. 1 is a perspective view of the media holder in an opened position;

FIG. 2 is a perspective view of the media holder in a closed position;

FIG. 3 is a left elevational view of the media holder as illustrated in FIG. 1;

See application file for complete search history.

FIG. 4 is a right elevational view of the media holder as illustrated in FIG. 1;

FIG. 5 is a front plan view of the media holder as illustrated in FIG. 1;

(56) **References Cited**

U.S. PATENT DOCUMENTS

D167,523 S	6/1952	Mayo	
D251,426 S	3/1979	Molyneux	
D279,185 S	6/1985	Felix et al.	
D309,986 S	8/1990	Sakai	
D313,820 S *	1/1991	Wright	D19/90
D317,760 S	6/1991	Esslinger	
D321,349 S	11/1991	Colida	
D323,435 S *	1/1992	Palacios	D6/406.3
D323,504 S	1/1992	Langton	

FIG. 6 is a rear plan view of the media holder as illustrated in FIG. 1;

FIG. 7 is a top view of the media holder as illustrated in FIG. 1;

FIG. 8 is a bottom view of the media holder as illustrated in FIG. 1;

FIG. 9 is a top view of the media holder as illustrated in FIG. 2;

FIG. 10 is a left elevational view of the media holder as illustrated in FIG. 2;

FIG. 11 is a right elevational view of the media holder as illustrated in FIG. 2;

FIG. 12 is rear plan view of the media holder as illustrated in FIG. 2; and,

FIG. 13 is a bottom view of the media holder as illustrated in FIG. 2.

(Continued)

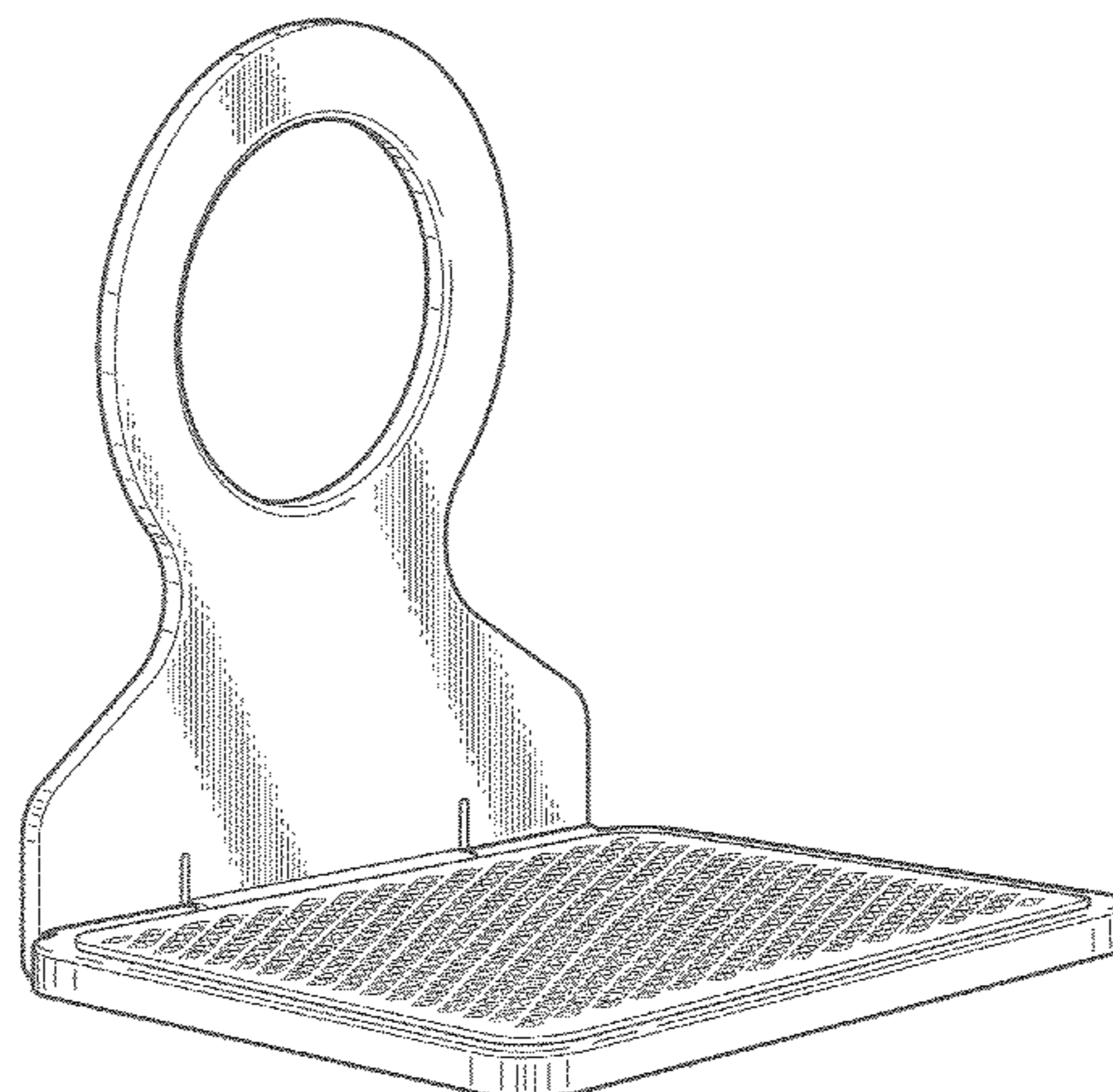
FOREIGN PATENT DOCUMENTS

CN 301368096 S 3/2010

OTHER PUBLICATIONS

Multifunctional Desktop Device: Anti Slip Gadget Holder with USB Hub found at: <http://www.gadgetnews.co.uk/post/2009/05/26/>

1 Claim, 6 Drawing Sheets



(56)

References Cited

U.S. PATENT DOCUMENTS

D340,622 S * 10/1993 Park et al. D7/620
 D345,356 S 3/1994 Ando et al.
 D349,289 S 8/1994 Vananderoye
 D361,998 S 9/1995 Murakami et al.
 5,619,397 A 4/1997 Honda et al.
 D382,987 S * 9/1997 Johnson, Jr. D2/861
 D386,094 S 11/1997 Ventrella
 D393,490 S * 4/1998 Burch D20/43
 D429,242 S 8/2000 Sun
 6,193,546 B1 2/2001 Sadler
 6,438,229 B1 8/2002 Overy et al.
 6,483,698 B1 11/2002 Loh
 D471,548 S 3/2003 Zheng
 D513,008 S 12/2005 Takizawa et al.
 D520,013 S 5/2006 Yang
 D529,823 S 10/2006 Tien
 D530,887 S * 10/2006 Harless D2/861
 D556,212 S 11/2007 Hussaini et al.
 D557,259 S 12/2007 Hirsch
 D577,914 S * 10/2008 Babic et al. D6/567
 D592,188 S 5/2009 Huang
 D606,545 S 12/2009 Salmon
 D607,817 S 1/2010 Tan
 D608,356 S * 1/2010 Peyridieu D14/253
 D608,357 S * 1/2010 Peyridieu D14/253
 D613,055 S * 4/2010 Lui D3/215
 7,708,240 B2 5/2010 Homer et al.
 D618,454 S * 6/2010 Vogias D3/215
 D623,642 S 9/2010 Wang
 D626,964 S 11/2010 Richardson et al.
 D631,855 S 2/2011 Blair et al.
 D632,122 S 2/2011 Foster
 D637,583 S 5/2011 Beal et al.
 D637,952 S 5/2011 Tan
 D639,815 S 6/2011 Lye
 D639,816 S 6/2011 Bau
 D640,247 S 6/2011 Baumann et al.
 D645,902 S * 9/2011 Tsai D19/90
 D646,268 S 10/2011 DeLorenzo et al.
 8,030,892 B2 10/2011 Fang et al.

D650,783 S 12/2011 Ausfield et al.
 D650,987 S * 12/2011 Rothbauer D3/215
 D655,702 S * 3/2012 Saxton D14/253
 D661,310 S * 6/2012 Belongia et al. D14/447
 D669,462 S * 10/2012 Avrahami et al. D14/253
 2008/0108395 A1 5/2008 Lee et al.
 2009/0051319 A1 2/2009 Fang et al.
 2009/0233656 A1 * 9/2009 Ross, III 455/575.1

OTHER PUBLICATIONS

Singapore Hardware Zone.com—4 port USB2.0 hub w/mobile device holder—found at <http://www.hardwarezone.com.sg/marketplace/view/48651>; in use at least as early as Mar. 21, 2011.
 Cell Phone Shop: Cell Phone Holder with Card Reader found at <http://www.cellphoneshop.net/phonereader.html>; in use at least as early as Mar. 21, 2011.
 Clingo by Allsop Universal Podium hands-free device holder found at <http://www.clingo.com/home-and-office/universal-podium>; in use at least as early as Mar. 21, 2011.
 Clingo by Allsop Universal Podium Device Holder found at <http://www.blueunplugged.com/Clingo-Universal-Mobile-Stand-Black.aspx>; in use at least as early as Mar. 21, 2011.
 Smart Stand—Crowley Jones found at: <http://crowleyjones.com/smart-stand.html>, <http://store.crowleyjones.com/ProductDetails.asp?ProductCode=Smart+Stand>, and <http://store.crowleyjones.com/PhotoGallery.asp?ProductCode=Smart+Stand&PhotoNumber=5>; in use at least as early as Mar. 21, 2011.
 Anti Slip Gadget Holder with USB Hub found at: <http://www.geekalerts.com/gadget-holder-usb-hub>, in use at least as early as Nov. 2011.
 Cell phone holder for desk with USB hub and card reader <http://www.alibaba.com/product-gs/476248668/cell-phone-holder-for-desk-with.html>, retrieved from internet Nov. 15, 2011.
 USB Hub Mobile Phone Holder posted by gadgetbear on May 19, 2009 in Electronics, Gadgets, URL:<http://web.archive.org/web/20090524011455/http://newconsumerstore.com/2009/05/usb-hub-mobile-phone-holder/>, retrieved from internet on Mar. 31, 2012.

* cited by examiner

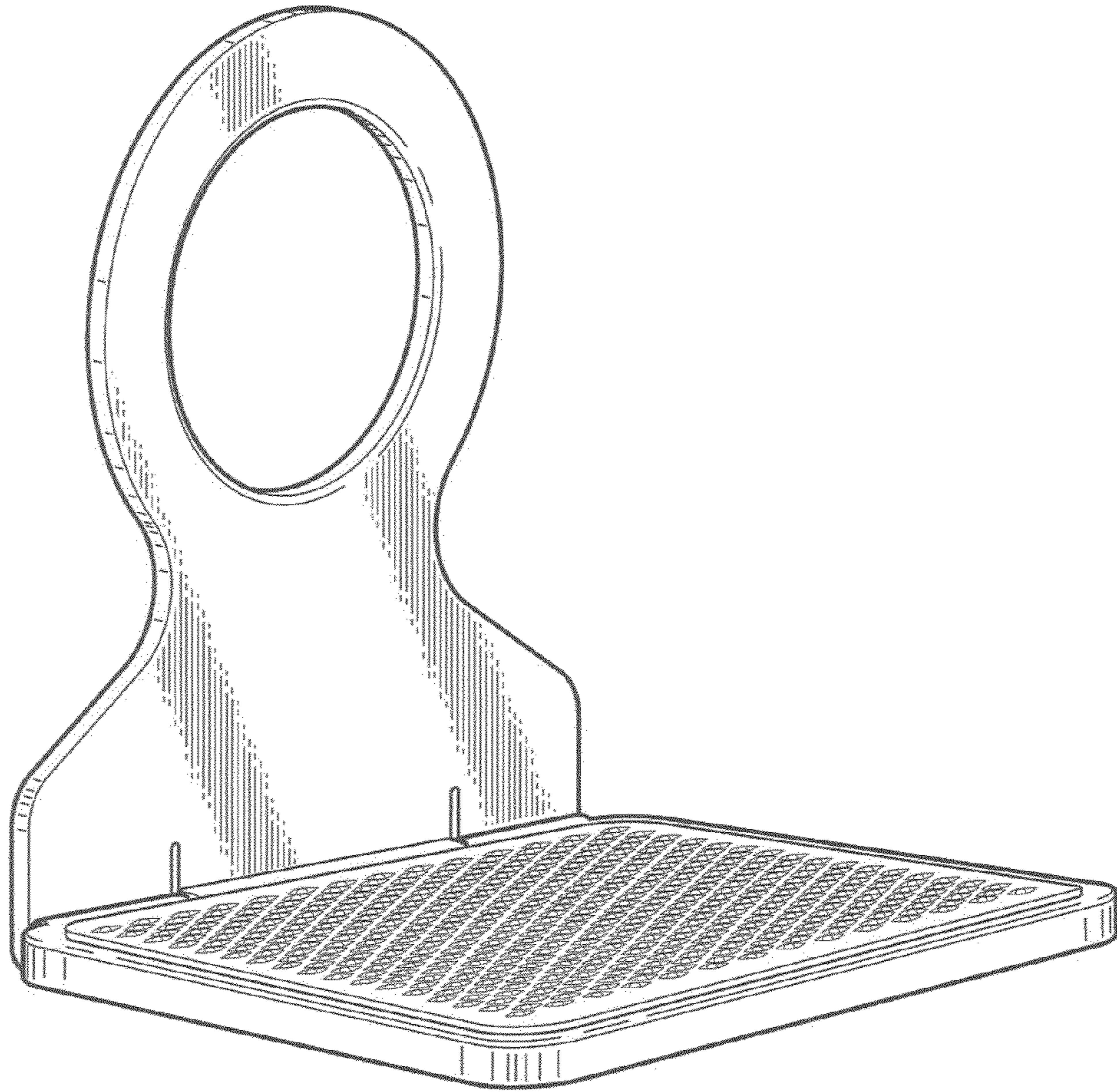


FIG. 1

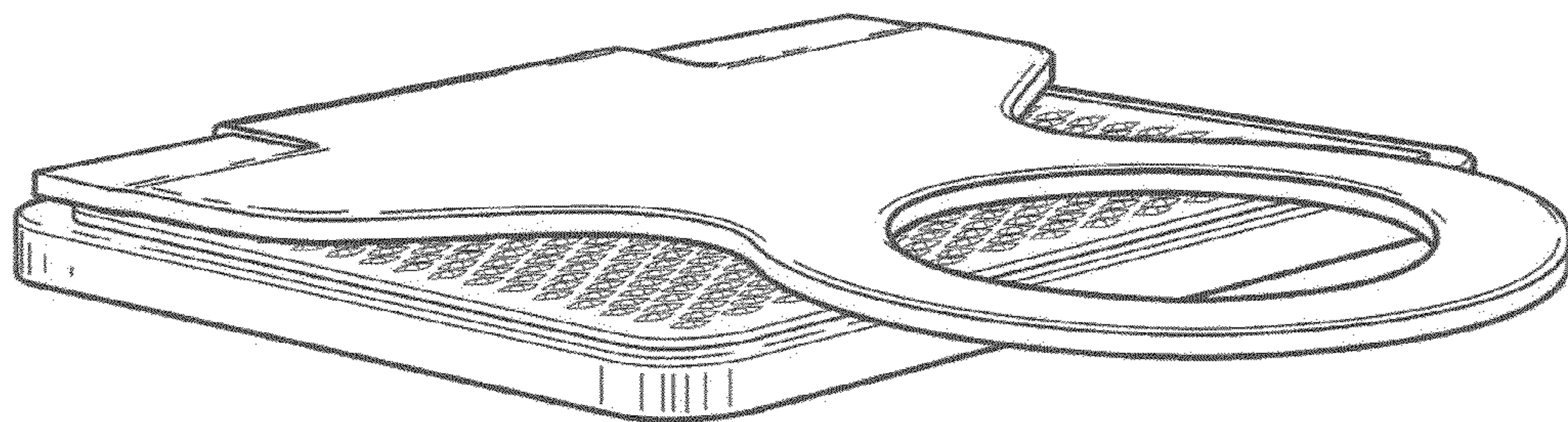


FIG. 2

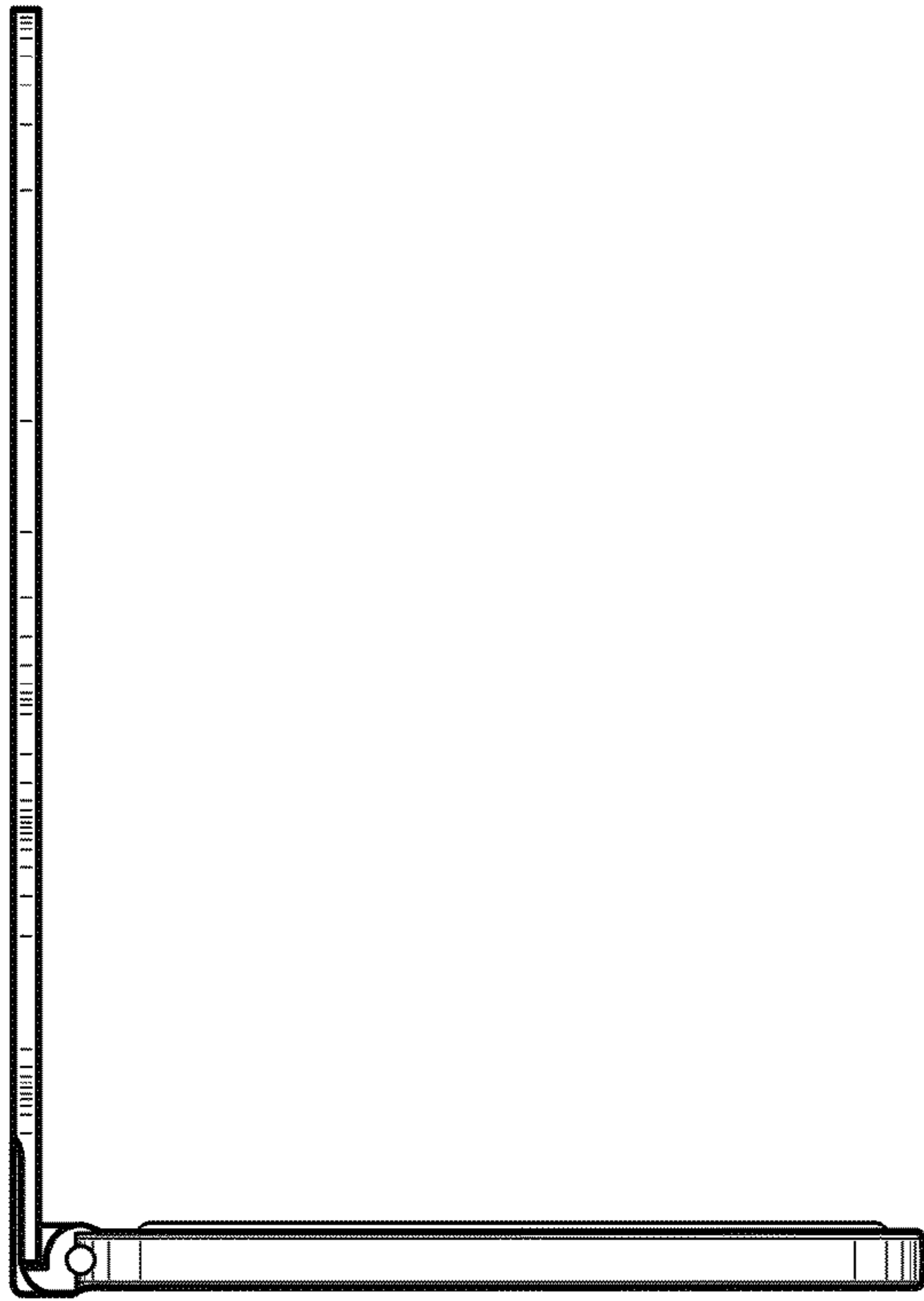


FIG. 3

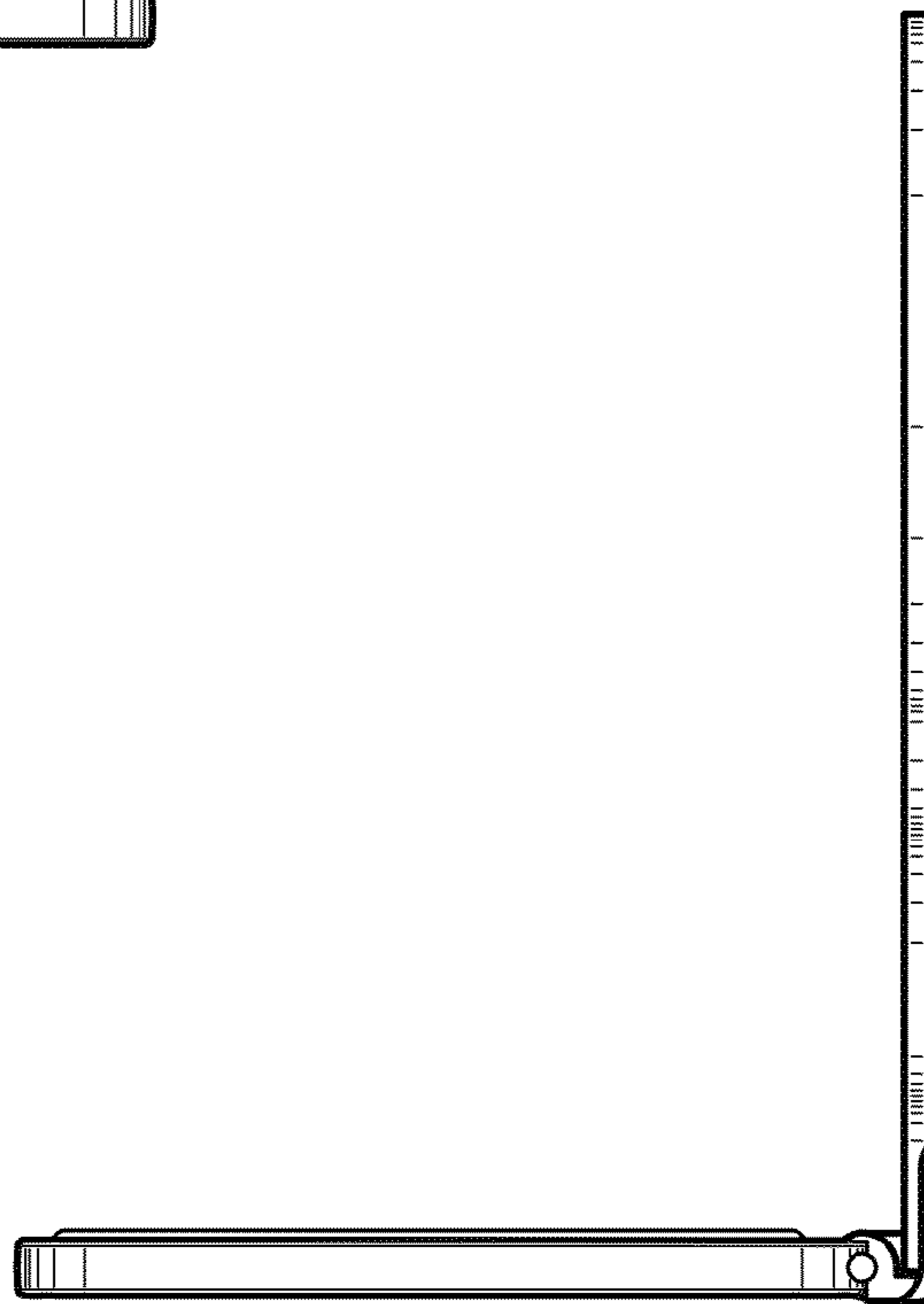


FIG. 4

FIG. 5

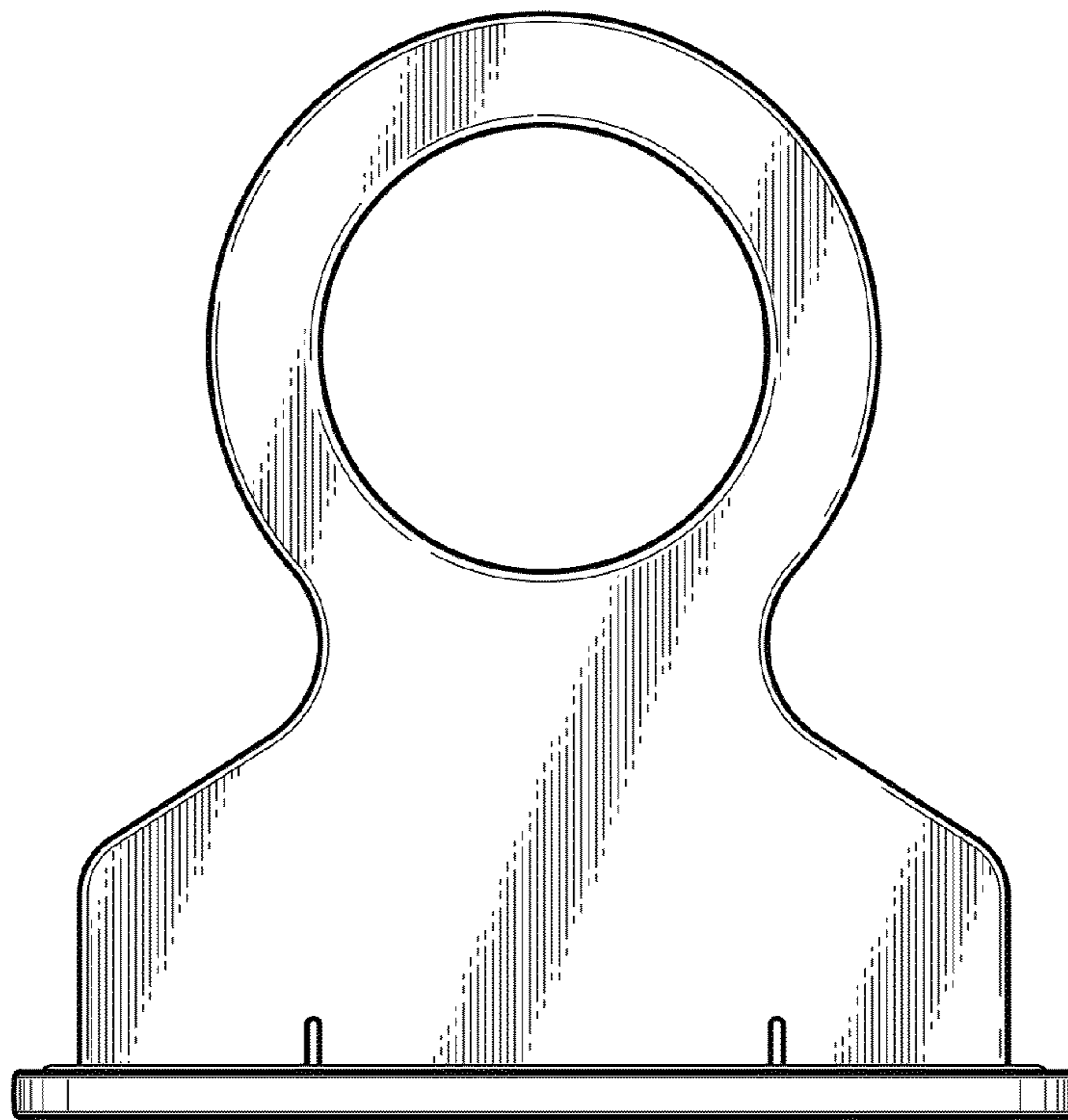
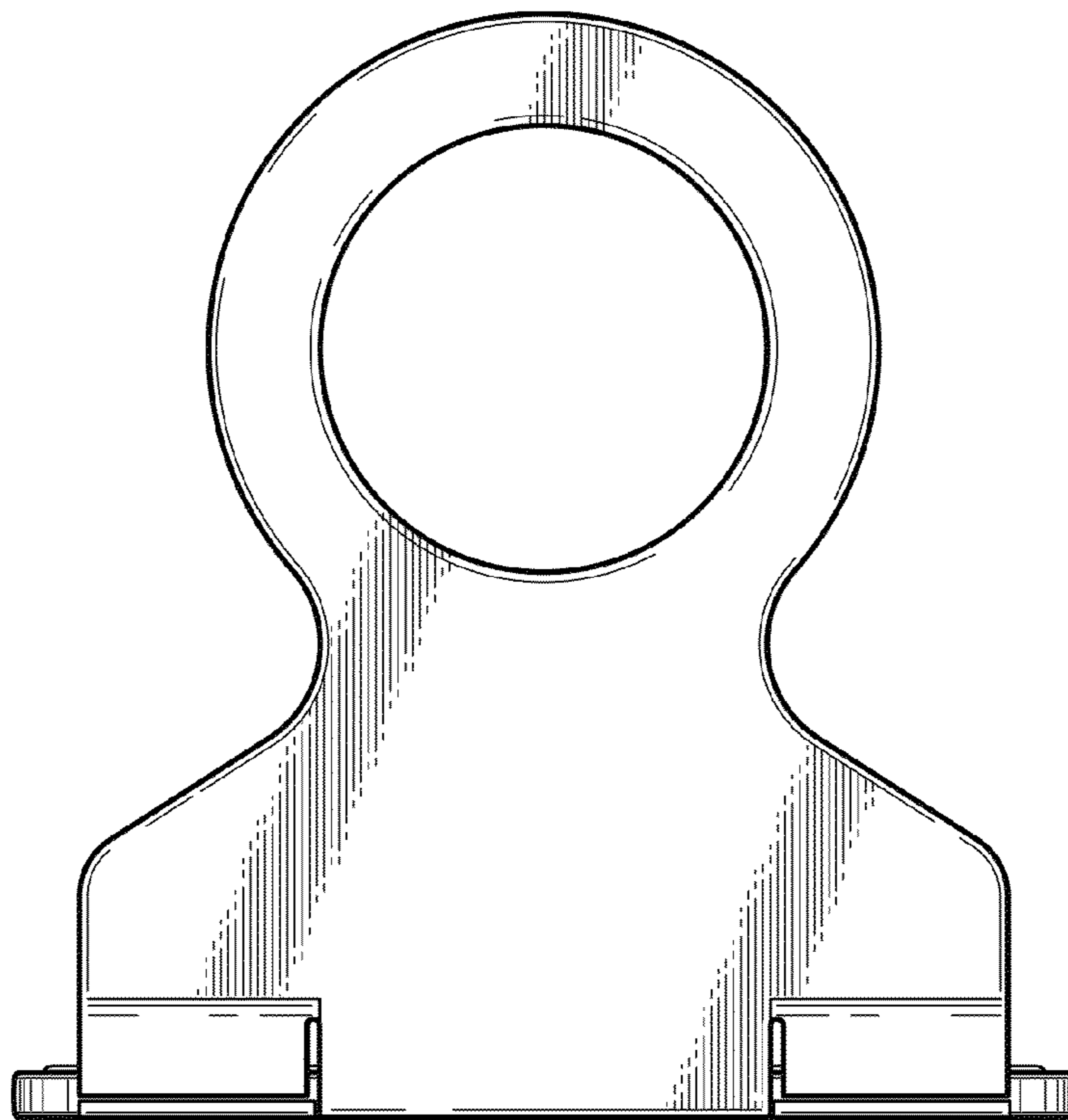


FIG. 6



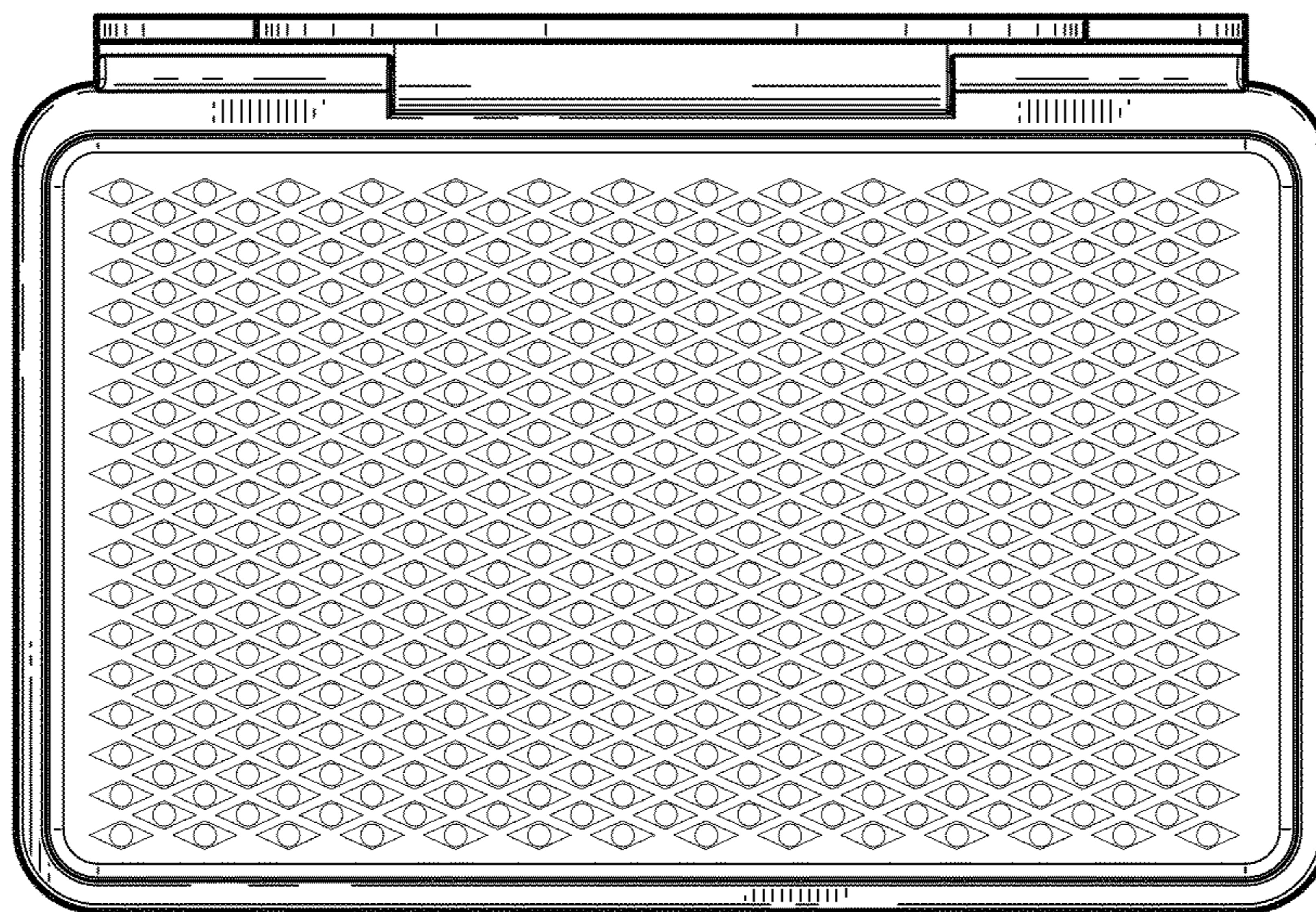


FIG. 7

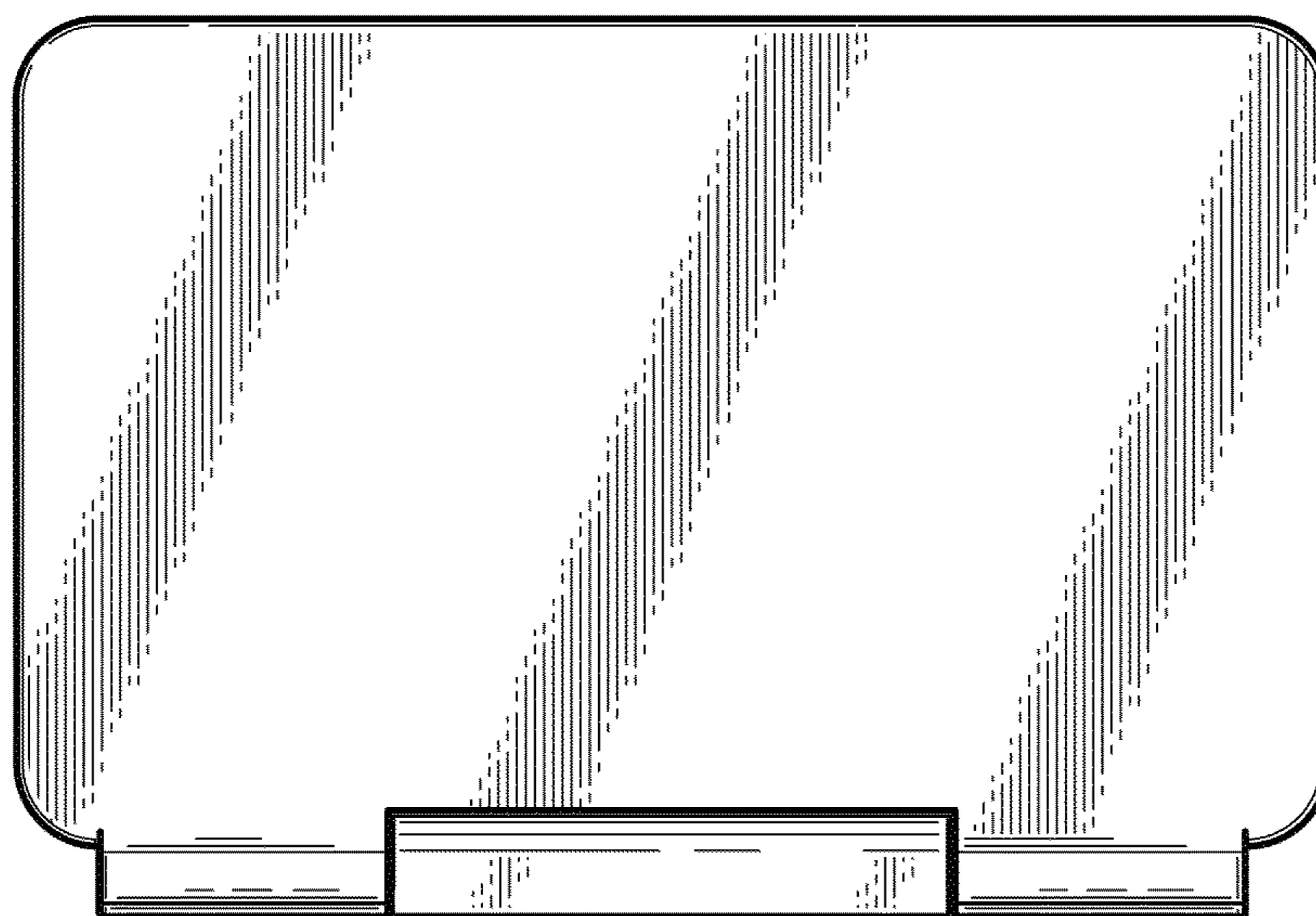


FIG. 8

FIG. 9

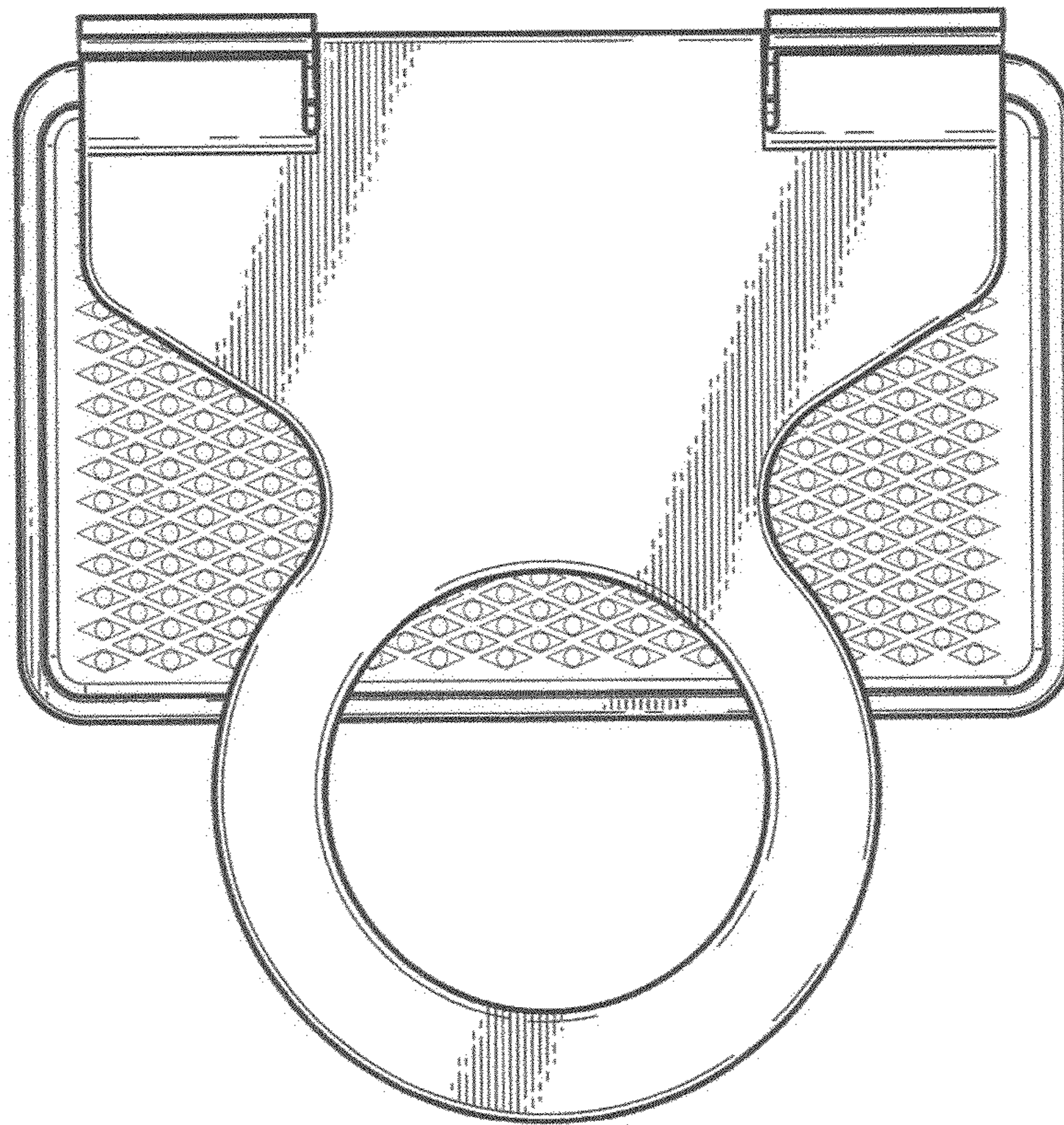


FIG. 10

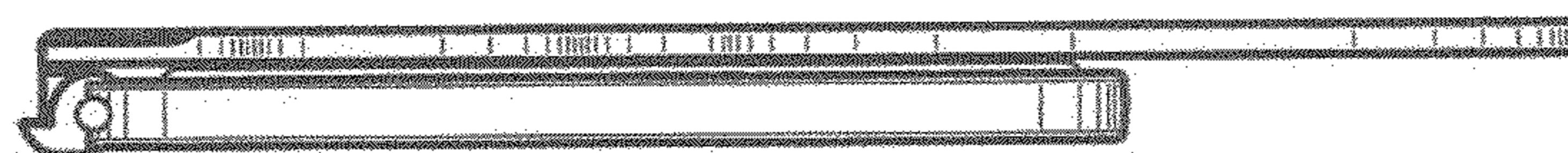


FIG. 11

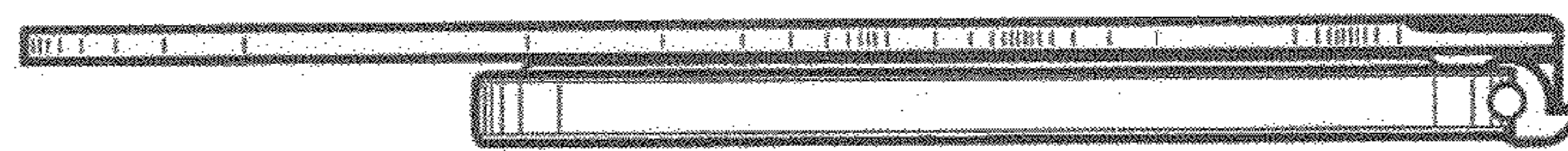


FIG. 12



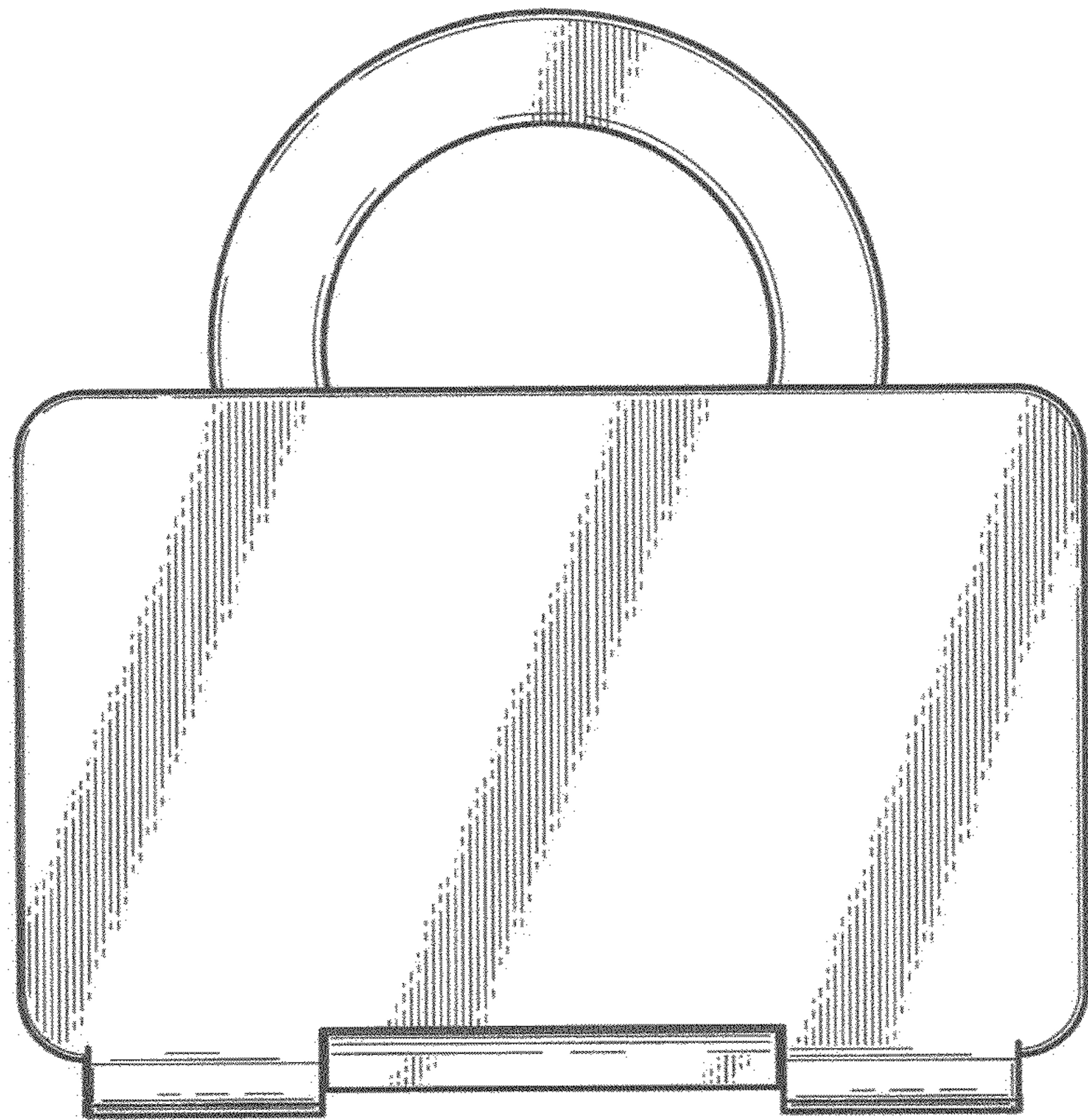


FIG. 13