



US00D701856S

(12) **United States Design Patent**  
**Chung**

(10) **Patent No.:** **US D701,856 S**

(45) **Date of Patent:** **\*\* Apr. 1, 2014**

(54) **PORTABLE ELECTRONIC DEVICE**

(75) Inventor: **Chongyoon Chung**, Seoul (KR)

(73) Assignee: **Samsung Electronics Co., Ltd.**,  
Gyeonggi-do (KR)

(\*\*) Term: **14 Years**

(21) Appl. No.: **29/430,385**

(22) Filed: **Aug. 24, 2012**

(30) **Foreign Application Priority Data**

Feb. 24, 2012 (KR) ..... 30-2012-0008913

(51) **LOC (10) Cl.** ..... **14-03**

(52) **U.S. Cl.**  
USPC ..... **D14/247**

(58) **Field of Classification Search**  
USPC ..... D14/247-248, 138 R, 138 AD, 138 AC,  
D14/138 C, 138 G, 137, 147, 218, 341-347;  
455/566, 575.1, 575.3, 575.4  
See application file for complete search history.

(56) **References Cited**

**U.S. PATENT DOCUMENTS**

7,200,224 B2 *	4/2007	Park et al.	379/433.13
D545,289 S *	6/2007	Wang	D14/138 AD
D547,296 S *	7/2007	Lin	D14/138 AD
D572,695 S *	7/2008	Tu	D14/138 AD
D572,715 S *	7/2008	Glosia et al.	D14/455
D582,372 S *	12/2008	Lee et al.	D14/138 AA
D584,274 S *	1/2009	Kim et al.	D14/138 AD
D584,709 S *	1/2009	Chiang	D14/138 AD
D589,482 S *	3/2009	Lee et al.	D14/138 AD
D590,793 S *	4/2009	Kim et al.	D14/138 AD
D590,799 S *	4/2009	Laine	D14/138 AD
D603,362 S *	11/2009	Kim et al.	D14/138 G
D609,210 S *	2/2010	Sohn et al.	D14/138 AD

D609,664 S *	2/2010	Lee et al.	D14/138 AA
D615,520 S *	5/2010	Kim et al.	D14/138 AA
D620,910 S *	8/2010	Han et al.	D14/138 AD
D623,183 S *	9/2010	Hong et al.	D14/341
D643,395 S *	8/2011	Moss	D14/138 AA
D645,834 S *	9/2011	Lee et al.	D14/138 AD
D647,869 S *	11/2011	Huang	D14/138 AA
D648,331 S *	11/2011	Huang	D14/248
D652,012 S *	1/2012	Jung et al.	D14/138 AA
D654,453 S *	2/2012	Son	D14/138 AD
D661,288 S *	6/2012	Wang	D14/247
2005/0190291 A1 *	9/2005	Kota et al.	348/376
2006/0205450 A1 *	9/2006	Amano et al.	455/575.4

**OTHER PUBLICATIONS**

Nokia 6600 slide, announced Apr. 2008, [online], [retrieved on May 14, 2008]. Retrieved from Internet ,<URL: <http://www.gsmarena.com>>.\*

Nokia 6260 slide, announced Nov. 2008, [online], [retrieved on Nov. 26, 2008]. Retrieved from Internet ,<URL: <http://www.gsmarena.com>>.\*

(Continued)

*Primary Examiner* — Bridget L Eland  
(74) *Attorney, Agent, or Firm* — Harness, Dickey & Pierce, P.L.C.

(57) **CLAIM**

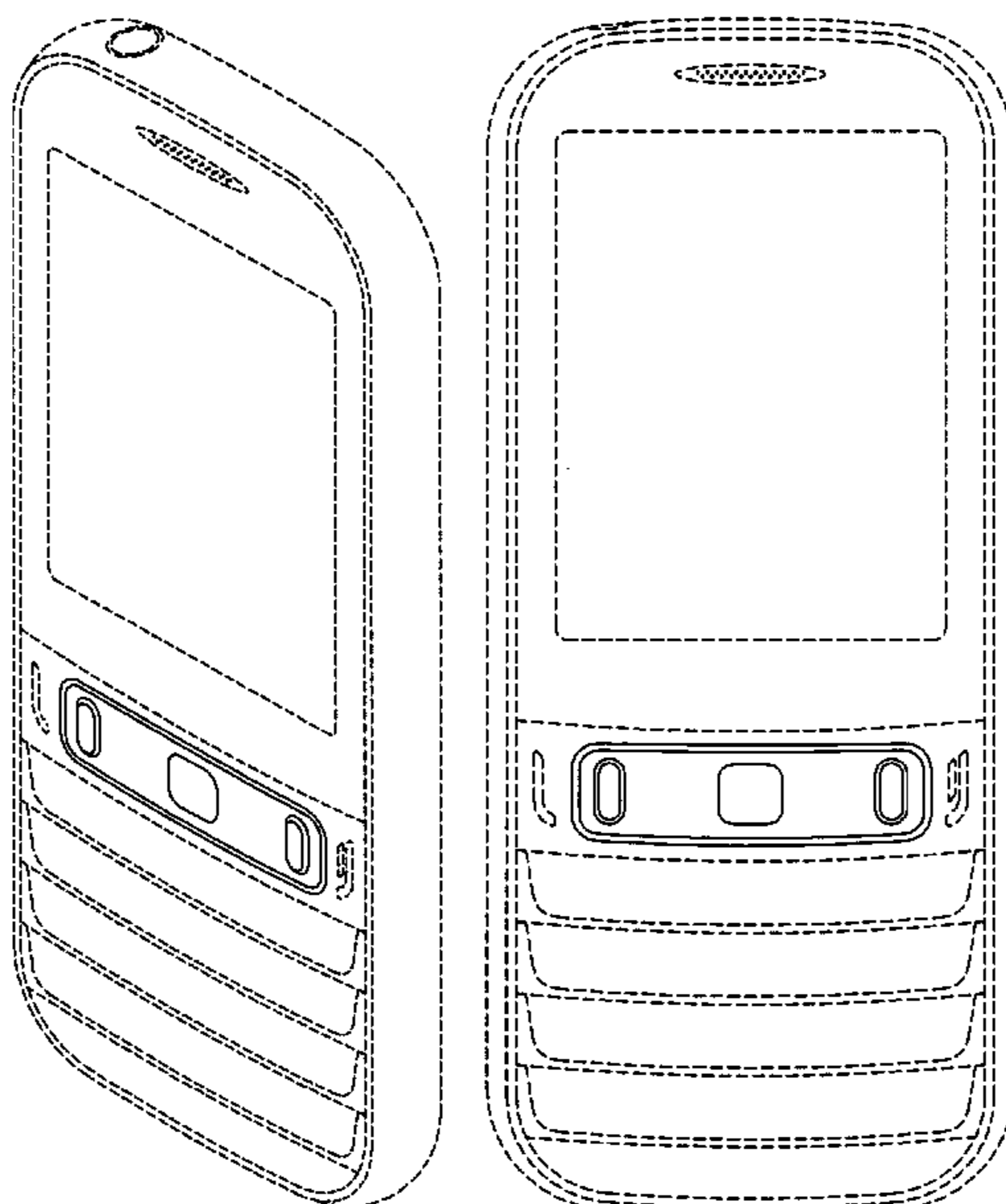
I claim the ornamental design for a portable electronic device, as shown and described.

**DESCRIPTION**

FIG. 1 is a front/right-side/top perspective view of a portable electronic device showing our new design; and, FIG. 2 is a front-side elevational view thereof.

The broken lines showing the remainder of the portable electronic device are directed to environment and are for illustrative purposes only; the broken lines form no part of the claimed design.

**1 Claim, 2 Drawing Sheets**



(56)

**References Cited**

OTHER PUBLICATIONS

LG KT520, announced Feb. 2008, [online], [retrieved on Mar. 21, 2008 & Sep. 5, 2008]. Retrieved from Internet ,<URL: <http://www.gsmarena.com>>.\*

Pantech PG3000, announced 1<sup>st</sup> quarter 2005, [online], [retrieved on Feb. 20, 2007]. Retrieved from Internet ,<URL: <http://www.gsmarena.com>>.\*

HTC P3600i, announced Aug. 2007, [online], [retrieved on Dec. 13, 2007]. Retrieved from Internet ,<URL: <http://www.gsmarena.com>>.\*

LG KC780, announced Oct. 2008, [online], [retrieved on Nov. 8, 2008]. Retrieved from Internet ,<URL: <http://www.gsmarena.com>>.\*

HTC Touch, announced Jun. 2007, [online], [retrieved on Aug. 6, 2007]. Retrieved from Internet ,<URL: <http://www.gsmarena.com>>.\*

\* cited by examiner

**FIG. 1**

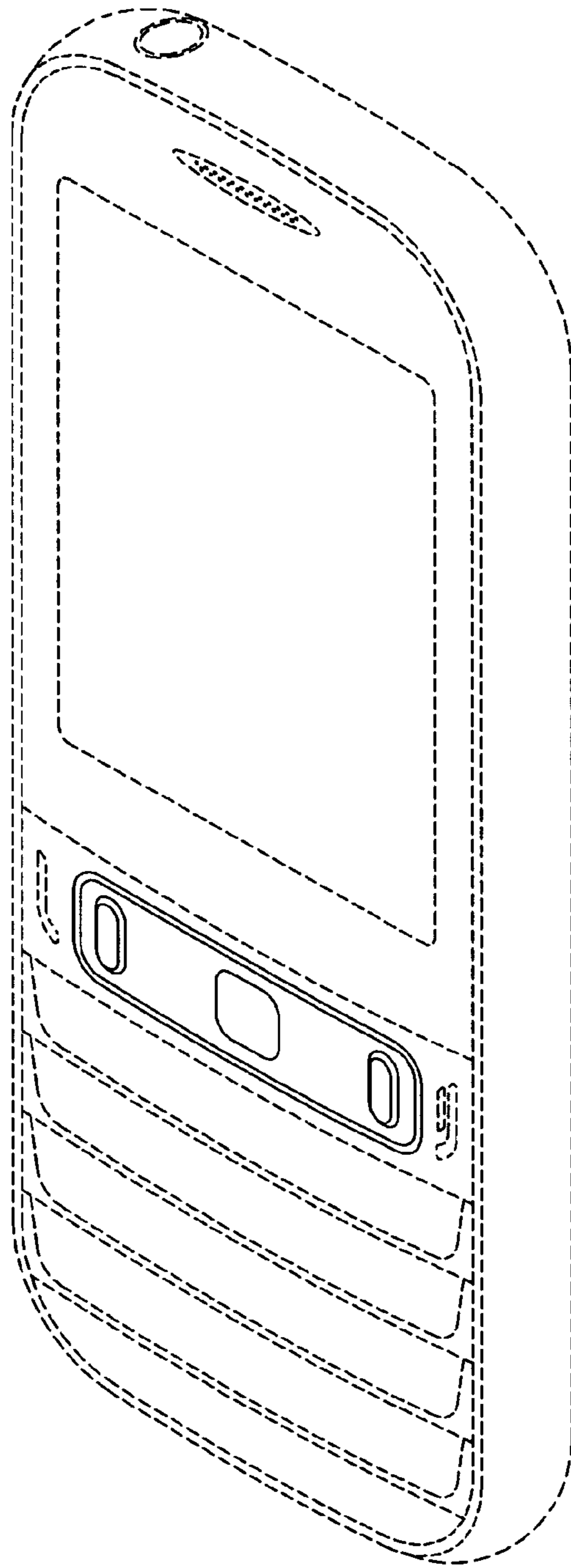


FIG. 2

