



US00D701855S

(12) **United States Design Patent**
Kumano et al.

(10) **Patent No.:** **US D701,855 S**
(45) **Date of Patent:** **** Apr. 1, 2014**

(54) **TELEVISION RECEIVER**

(75) Inventors: **Daigaku Kumano**, Tokyo (JP); **Jun Katsunuma**, Tokyo (JP)

(73) Assignee: **Sony Corporation**, Tokyo (JP)

(**) Term: **14 Years**

(21) Appl. No.: **29/371,420**

(22) Filed: **Feb. 18, 2011**

(30) **Foreign Application Priority Data**

Dec. 28, 2010	(JP)	D2010-031529
Dec. 28, 2010	(JP)	D2010-031530
Dec. 28, 2010	(JP)	D2010-031531
Dec. 28, 2010	(JP)	D2010-031532
Dec. 28, 2010	(JP)	D2010-031533
Dec. 28, 2010	(JP)	D2010-031534
Dec. 28, 2010	(JP)	D2010-031535
Dec. 28, 2010	(JP)	D2010-031536
Dec. 28, 2010	(JP)	D2010-031537
Dec. 28, 2010	(JP)	D2010-031538
Dec. 28, 2010	(JP)	D2010-031539
Dec. 28, 2010	(JP)	D2010-031540
Dec. 28, 2010	(JP)	D2010-031541
Dec. 28, 2010	(JP)	D2010-031542

(51) **LOC (10) Cl.** **14-03**

(52) **U.S. Cl.**
USPC **D14/239**

(58) **Field of Classification Search**
USPC D14/125-134, 239, 371, 136, 374-377,
D14/440, 450, 448, 336, 342; 312/7.2;
348/836, 838, 180, 184, 325, 739;
341/12; 248/917-924, 465; 345/104,
345/133, 156, 168, 87, 173; 720/605, 669,
720/600, 655; 369/99, 197; 455/344, 347;
D21/329, 515, 577, 622, 333, 433, 448,
D21/452, 450, 331; D6/477, 479, 300;
273/148 B; 446/484, 175, 356; D10/15,
D10/26

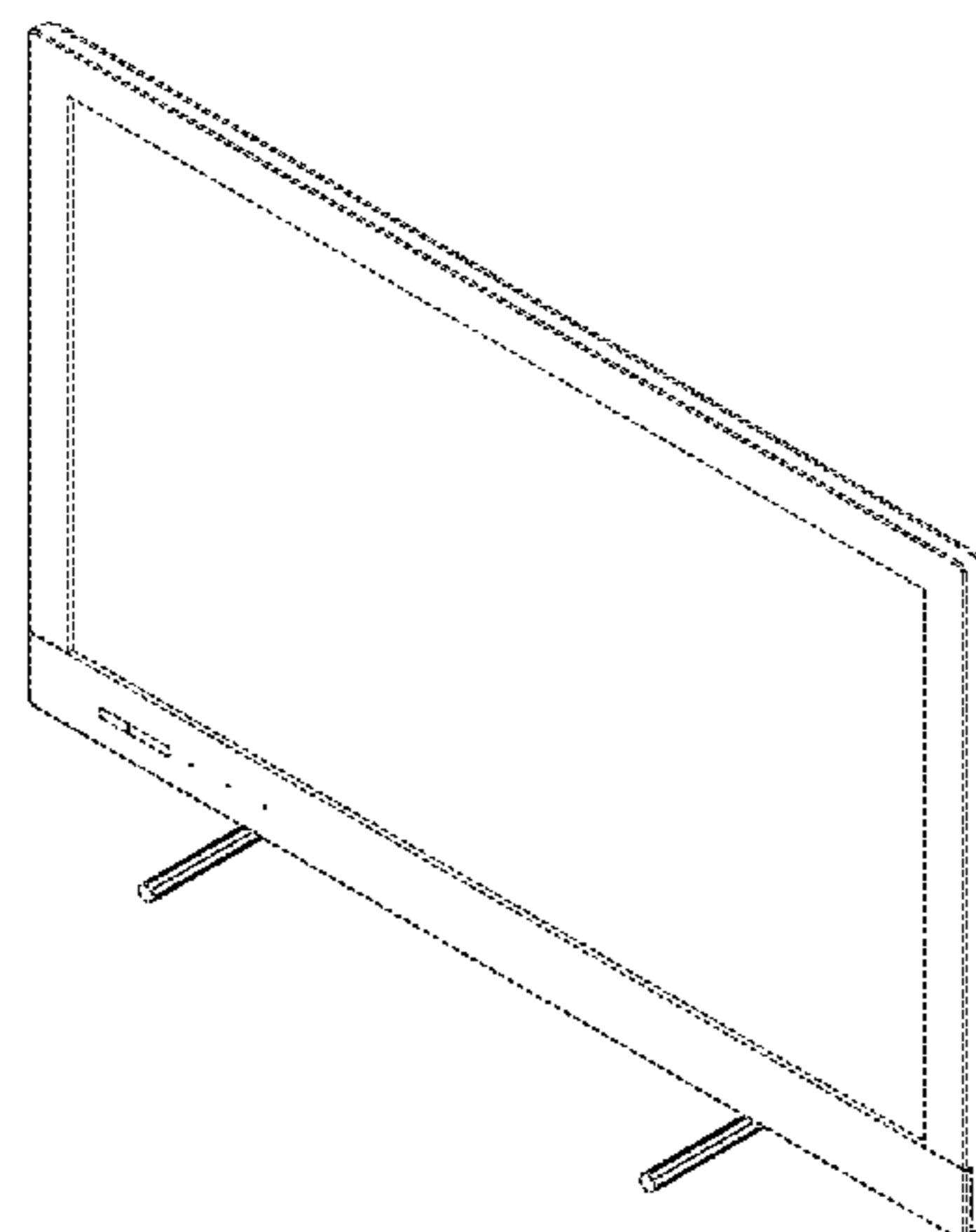
See application file for complete search history.

(56) **References Cited**

U.S. PATENT DOCUMENTS

D412,891 S 8/1999 Sumii
D563,337 S * 3/2008 Bloem D14/126

(Continued)



FOREIGN PATENT DOCUMENTS

JP D1368035 S 8/2009
JP D1380753 S 2/2010
JP D1387214 S 5/2010

Primary Examiner — Randall Gholson

(74) *Attorney, Agent, or Firm* — Rader, Fishman & Grauer PLLC

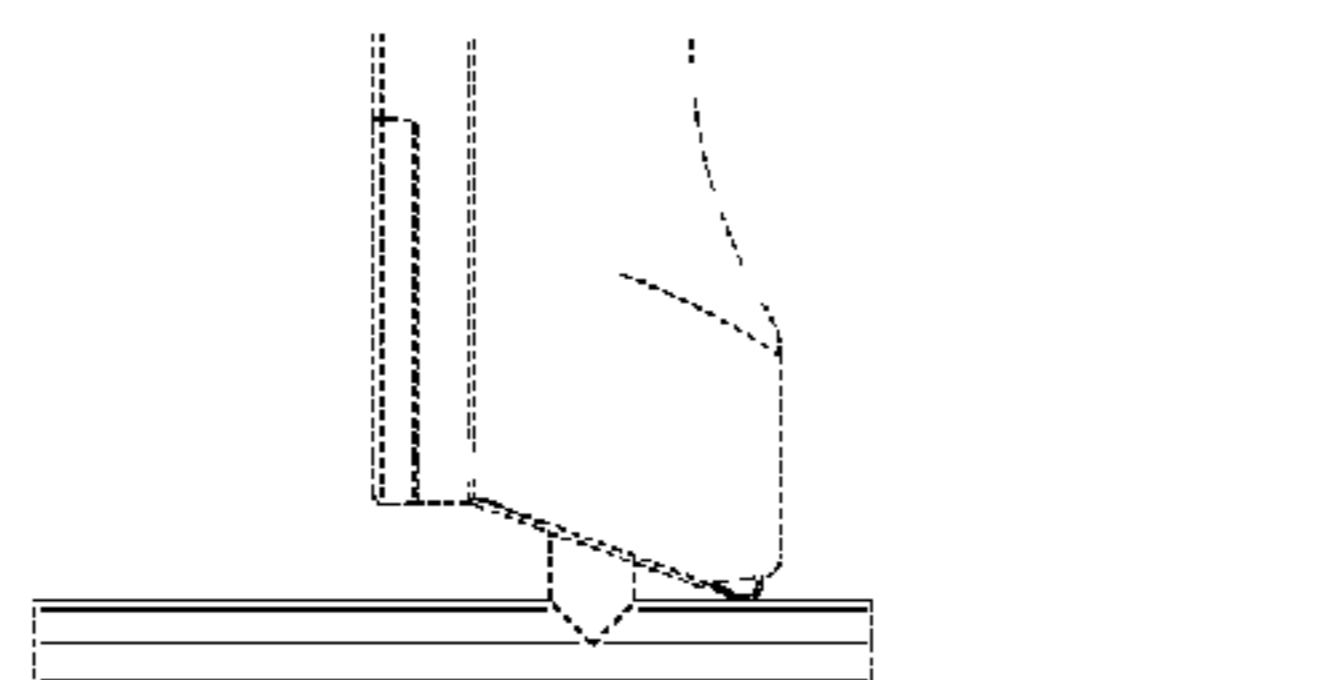
(57) **CLAIM**

The ornamental design for a television receiver, as shown and described.

DESCRIPTION

FIG. 1 is a perspective view of a first embodiment of a television receiver showing our new design; FIG. 2 is a front elevational view thereof; FIG. 3 is a rear elevational view thereof; FIG. 4 is a left side elevational view thereof; FIG. 5 is a right side elevational view thereof; FIG. 6 is a top plan view thereof; and FIG. 7 is a bottom plan view thereof. FIG. 8 is an enlarged cross sectional view along the line 8-8 of FIG. 4 and the line 8'-8'- of FIG. 6. FIG. 9 is a perspective view of a second embodiment of a television receiver showing our new design; FIG. 10 is a front elevational view thereof; FIG. 11 is a rear elevational view thereof; FIG. 12 is a left side elevational view thereof; FIG. 13 is a right side elevational view thereof; FIG. 14 is a top plan view thereof; and FIG. 15 is a bottom plan view thereof. FIG. 16 is a reference cross sectional view along the line 16-16 of FIG. 13. FIG. 17 is a perspective view of a third embodiment of a television receiver showing our new design; FIG. 18 is a front elevational view thereof; FIG. 19 is a rear elevational view thereof; FIG. 20 is a left side elevational view thereof; FIG. 21 is a right side elevational view thereof; FIG. 22 is a top plan view thereof; and FIG. 23 is a bottom plan view thereof; and FIG. 24 is a reference cross sectional view along the line 24-24 of FIG. 21. Portions in broken lines are for illustrative purposes only and form no part of claimed design. Dot-dash broken lines define the boundaries of, but not included in, the claimed design.

1 Claim, 19 Drawing Sheets



US D701,855 S

Page 2

(56)

References Cited

U.S. PATENT DOCUMENTS

D578,973 S * 10/2008 Chiu D14/126
D597,974 S 8/2009 Iseki
D620,461 S * 7/2010 Han et al. D14/126

D634,722 S * 3/2011 Kim et al. D14/126
D634,723 S * 3/2011 Park et al. D14/126
D661,699 S * 6/2012 Chiu D14/371
D668,237 S * 10/2012 Chino et al. D14/126

* cited by examiner

FIG.1

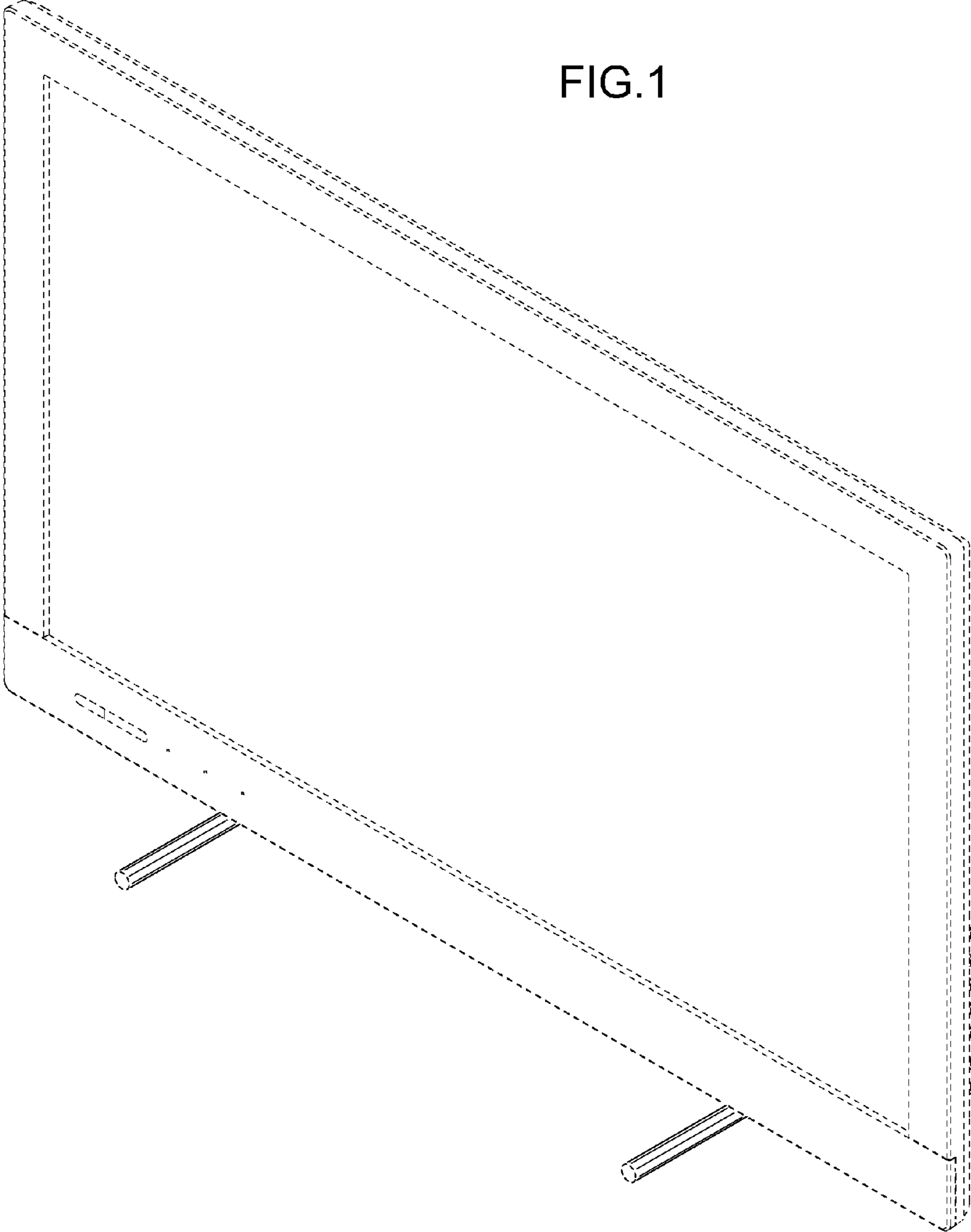


FIG.2

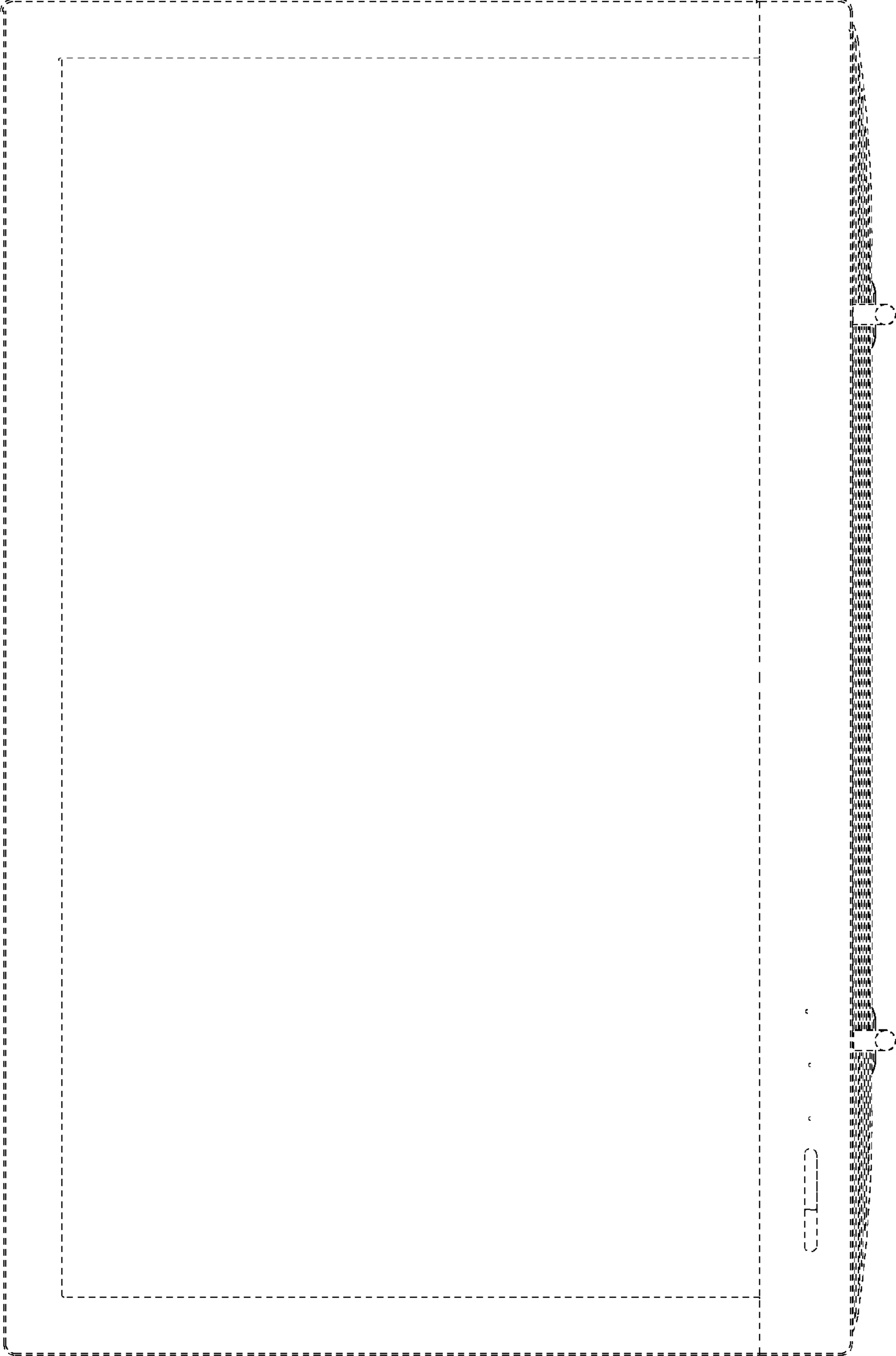
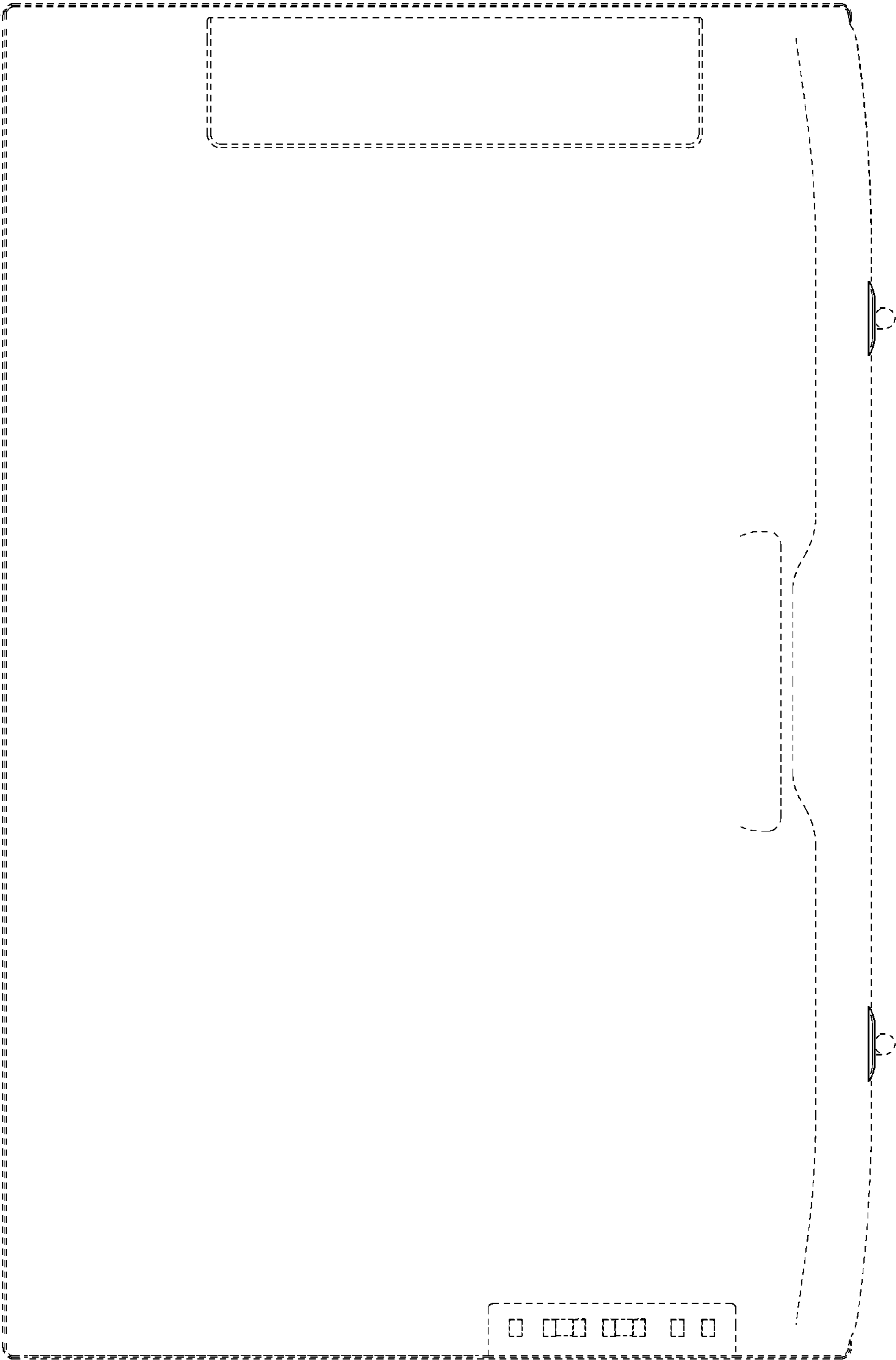


FIG.3



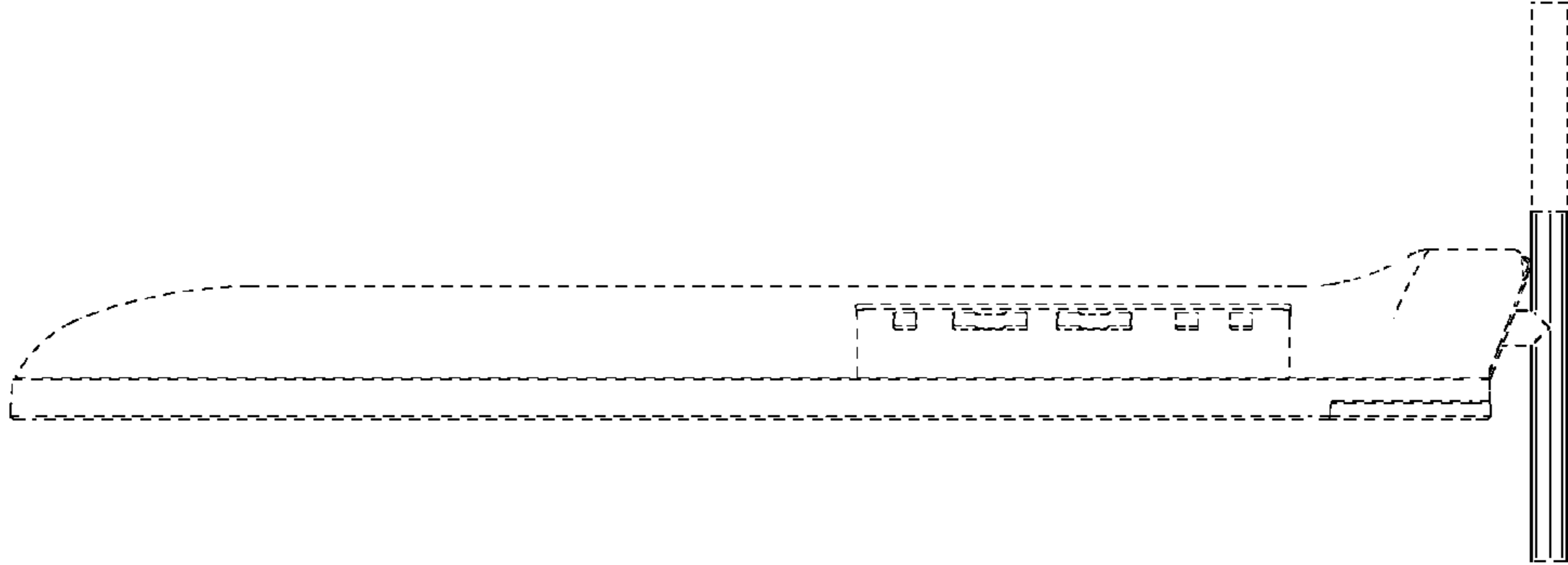


FIG. 5

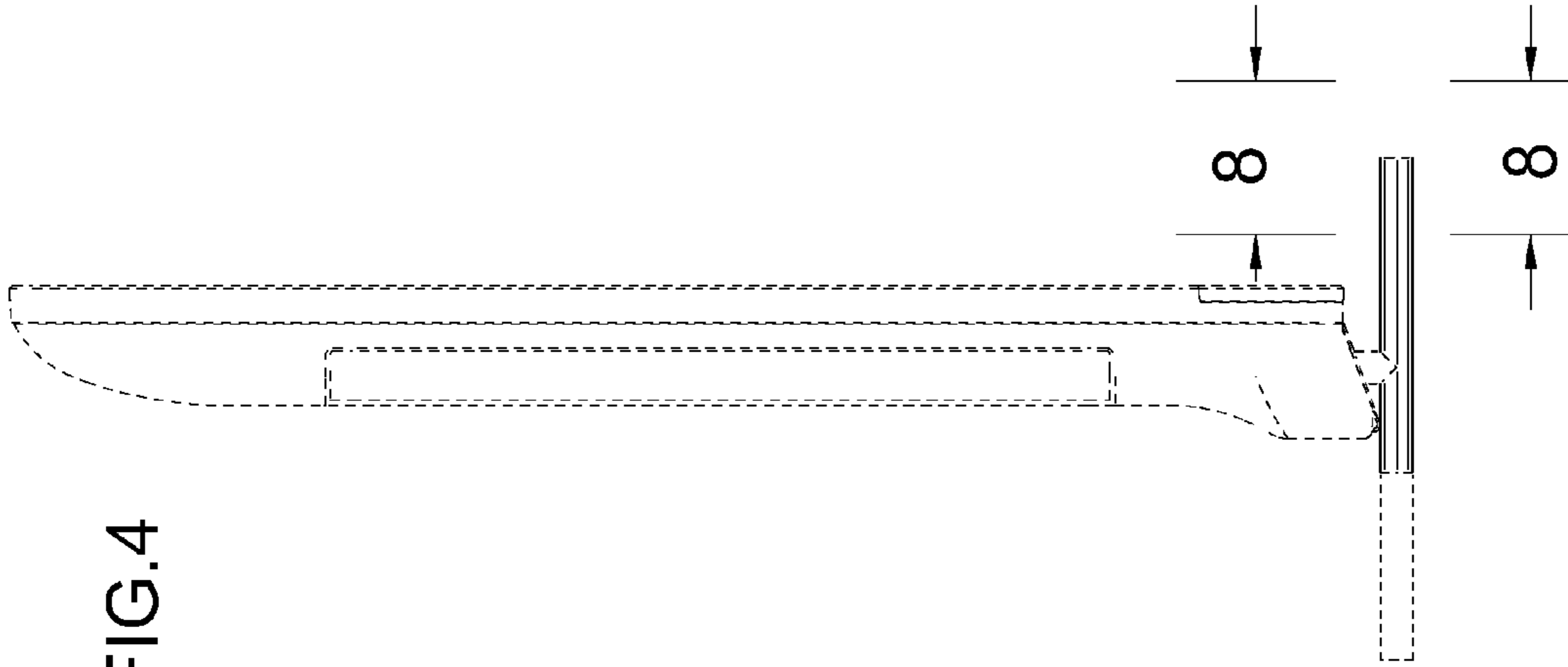


FIG. 4

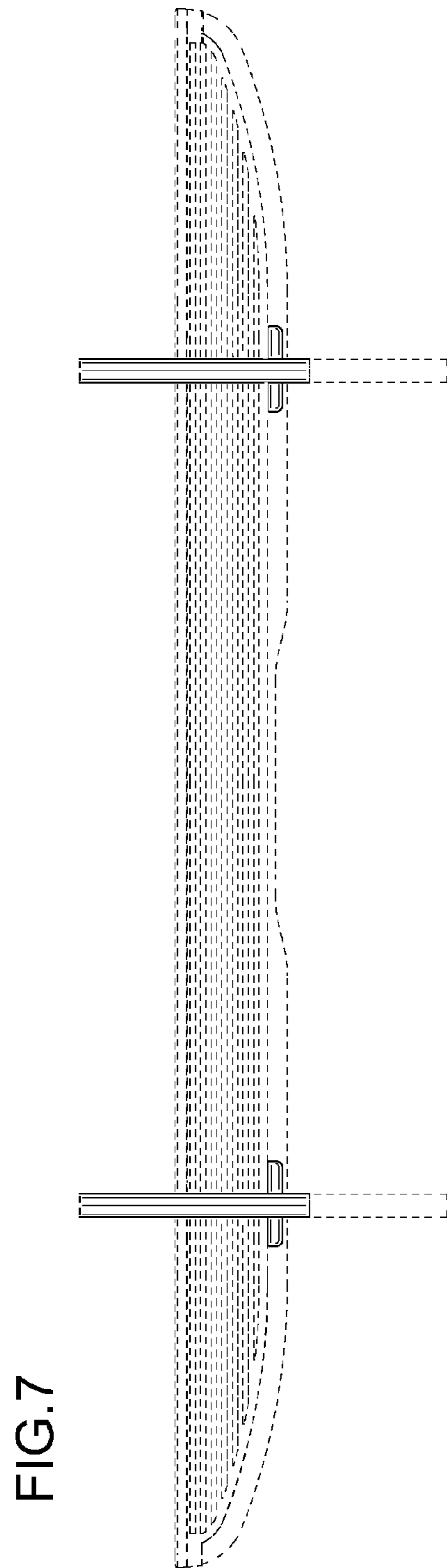
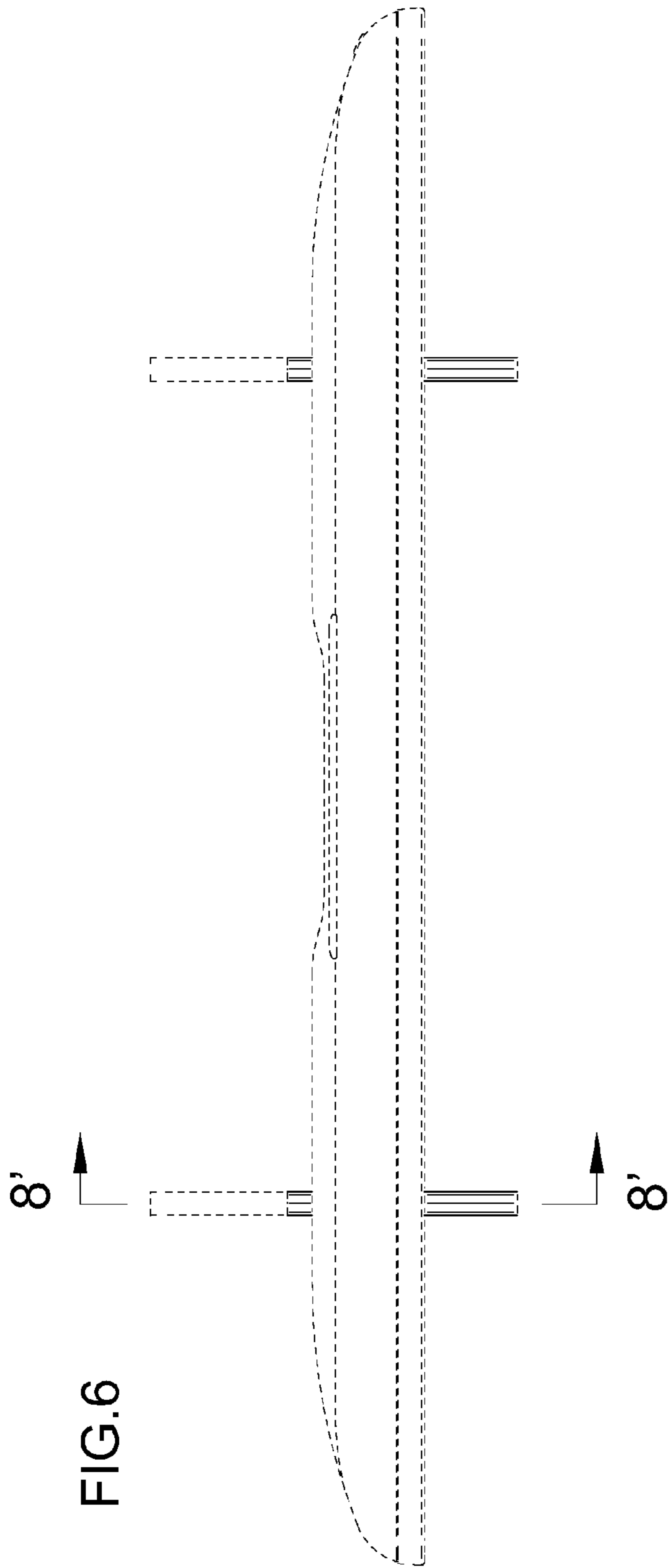
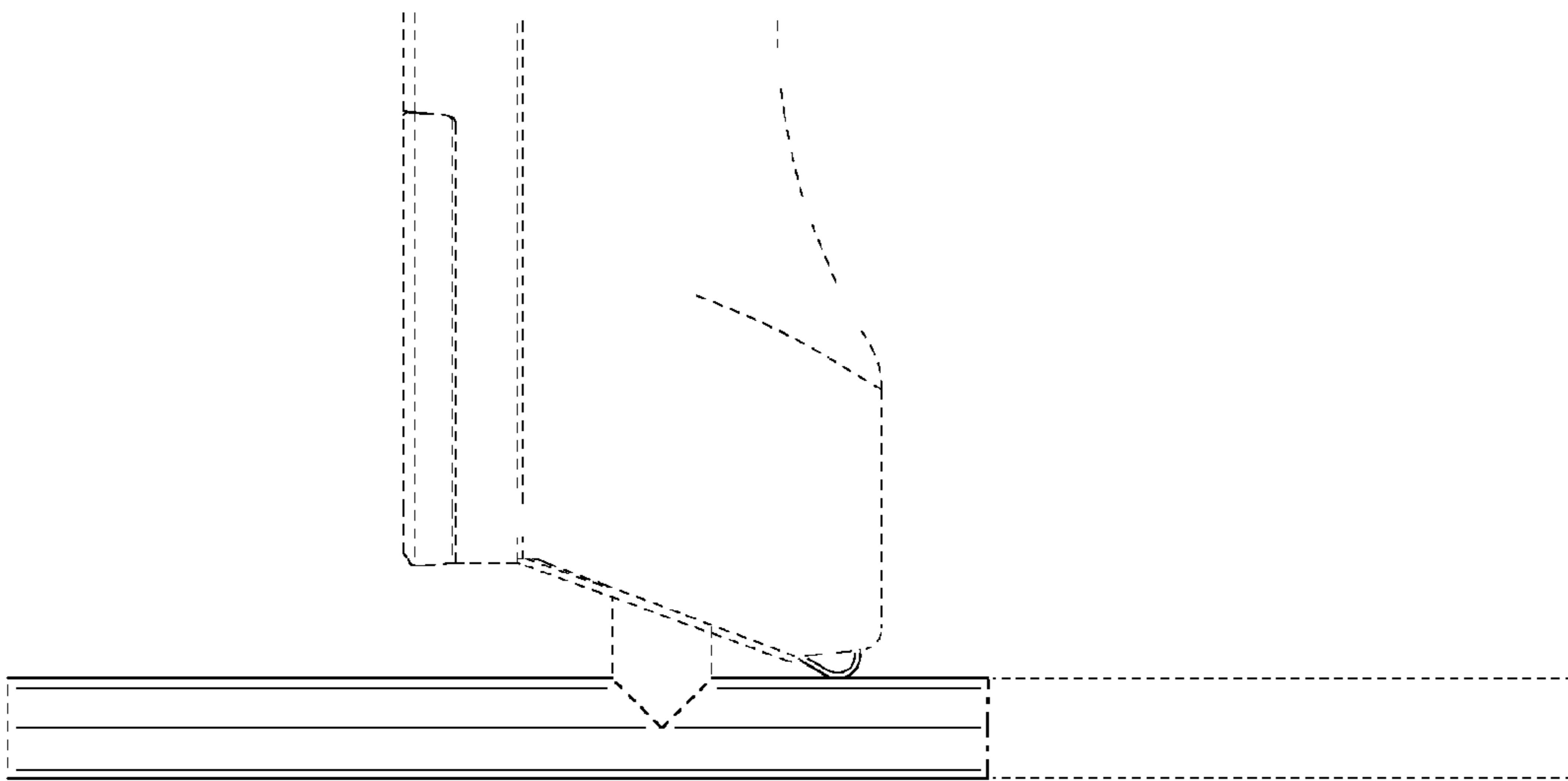


FIG. 8



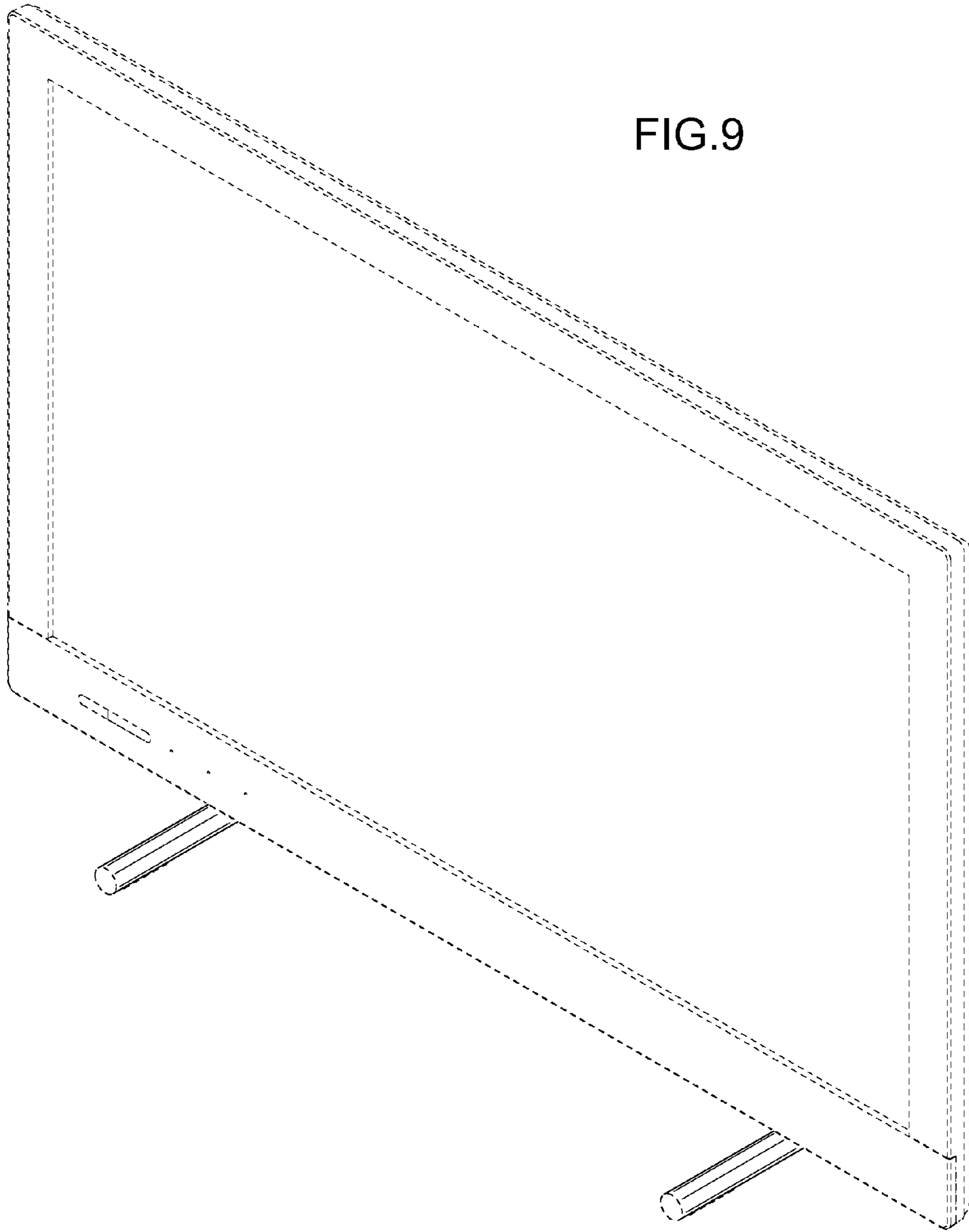


FIG. 9

FIG.10

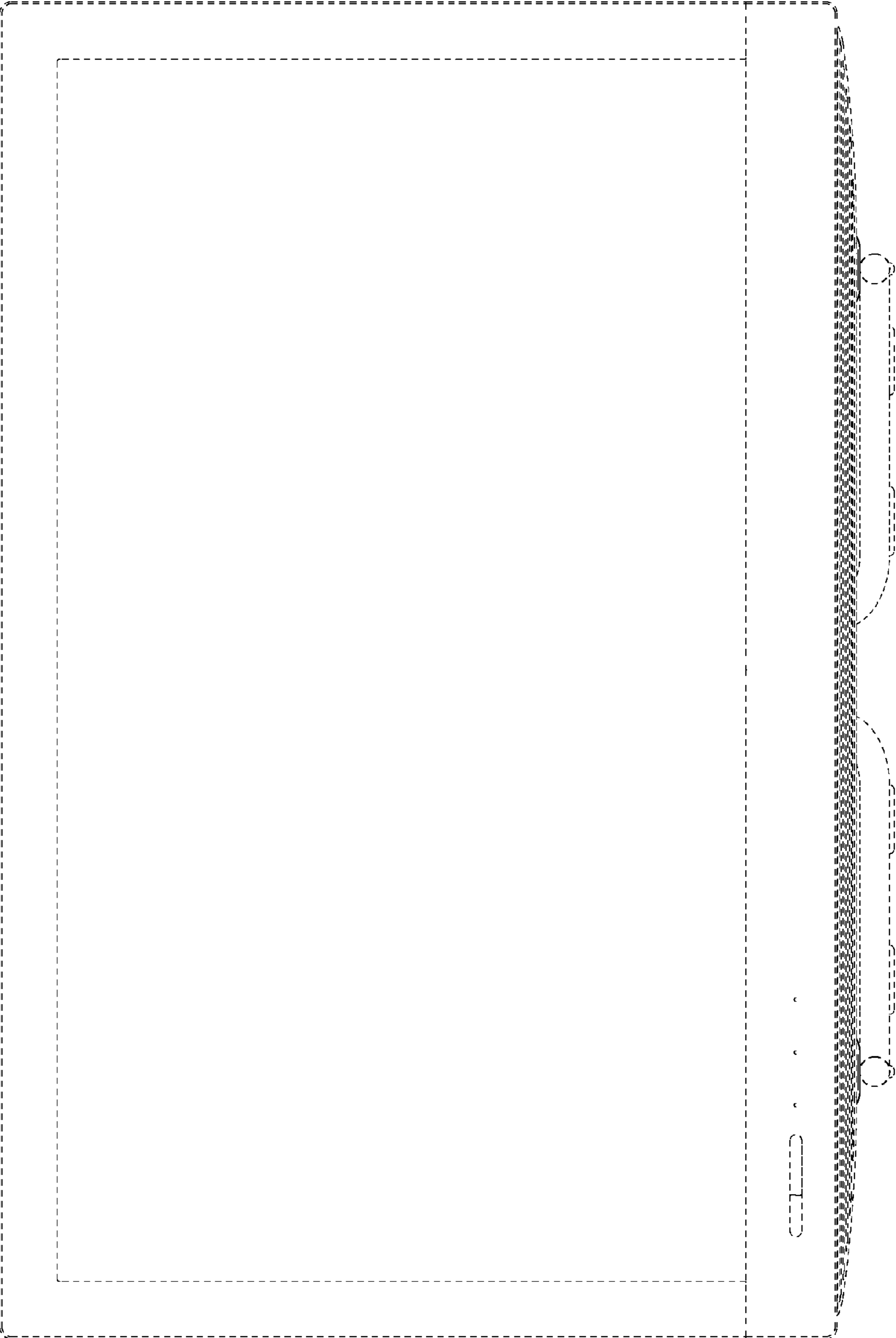
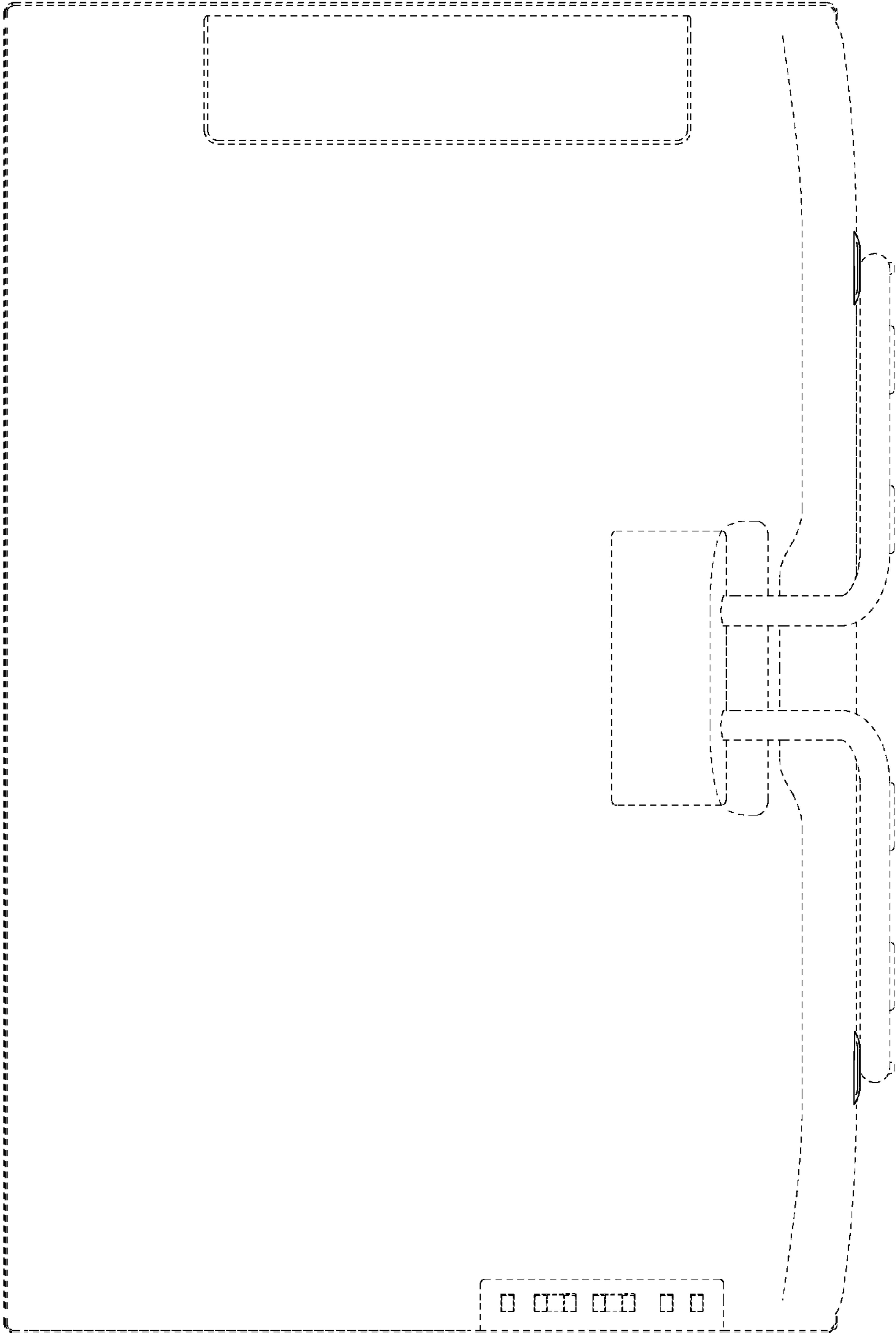


FIG.11



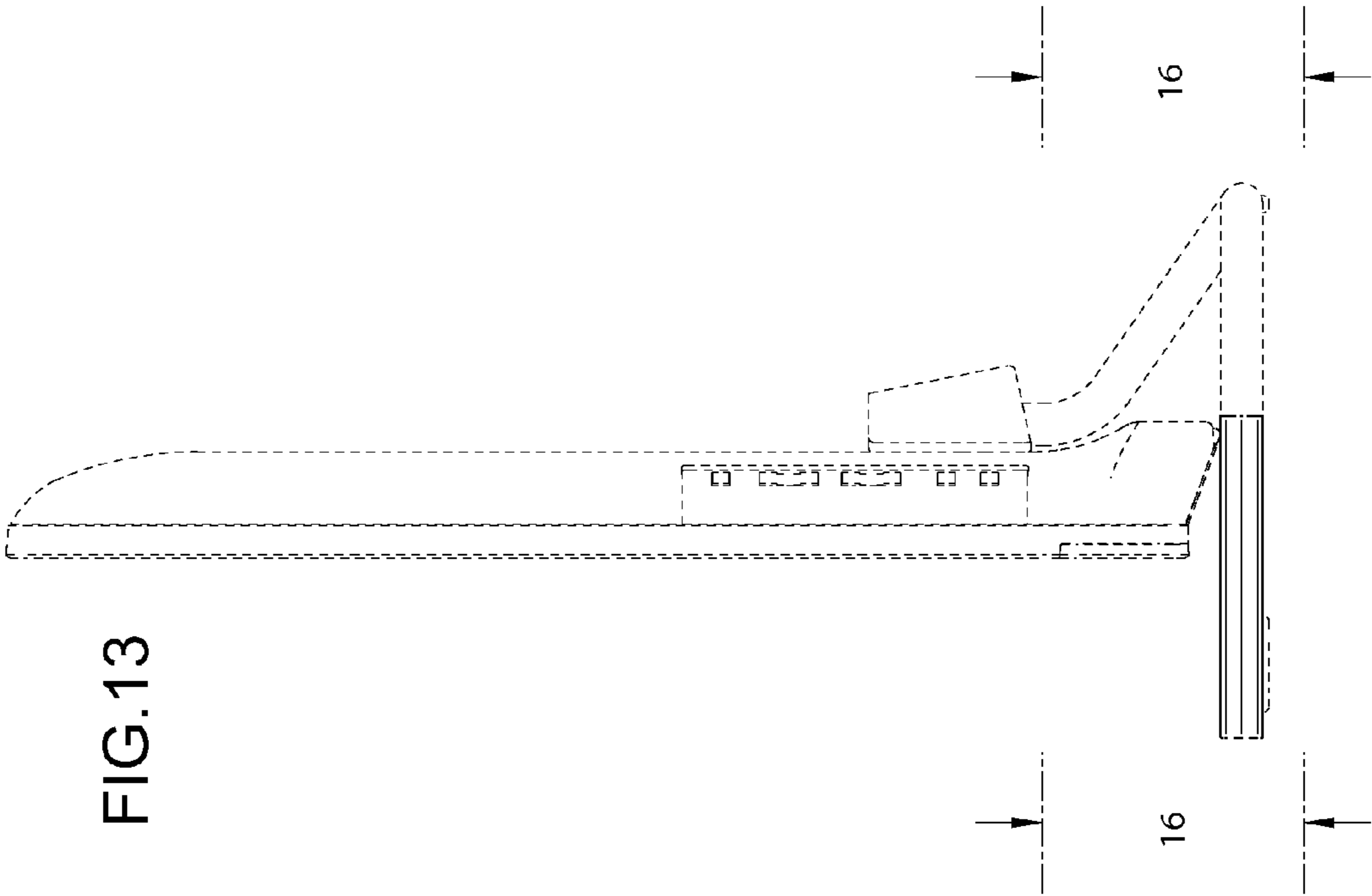


FIG.13

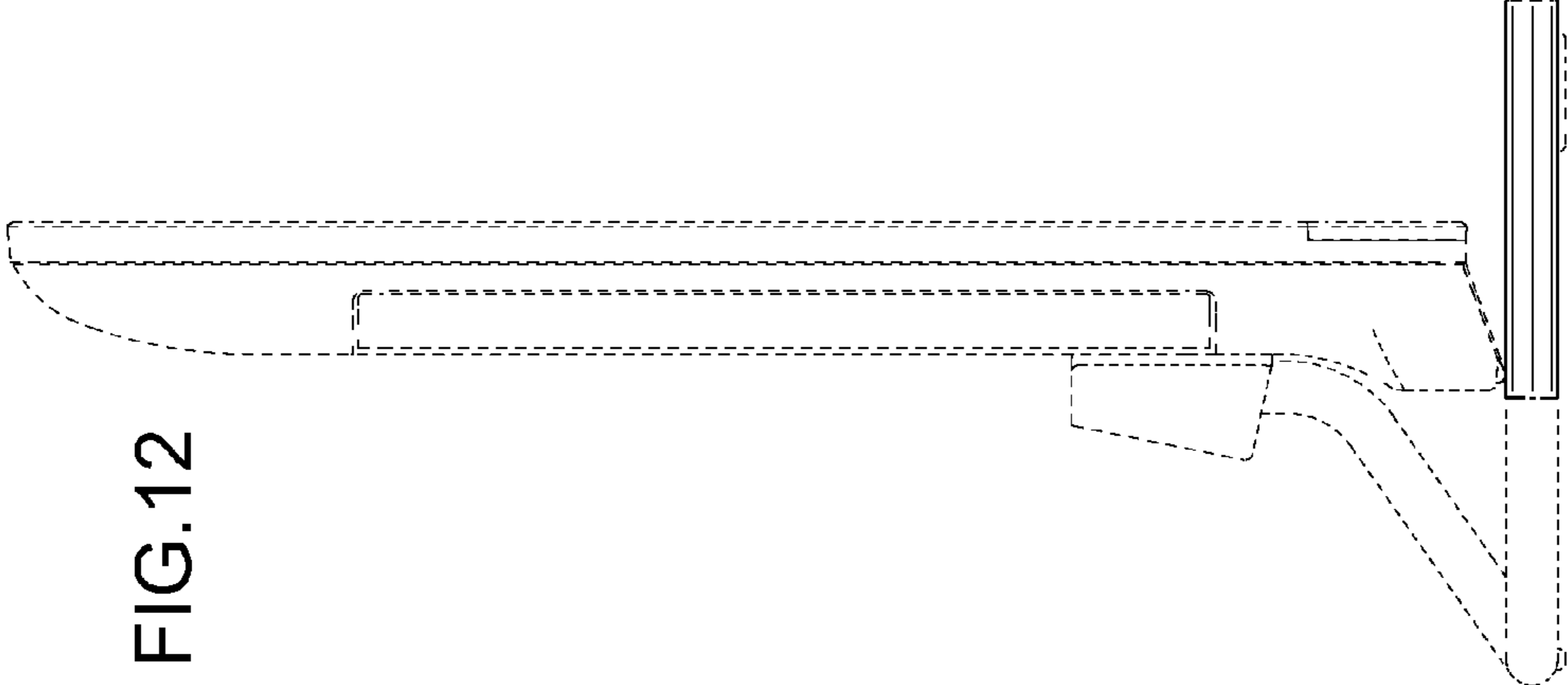


FIG.12

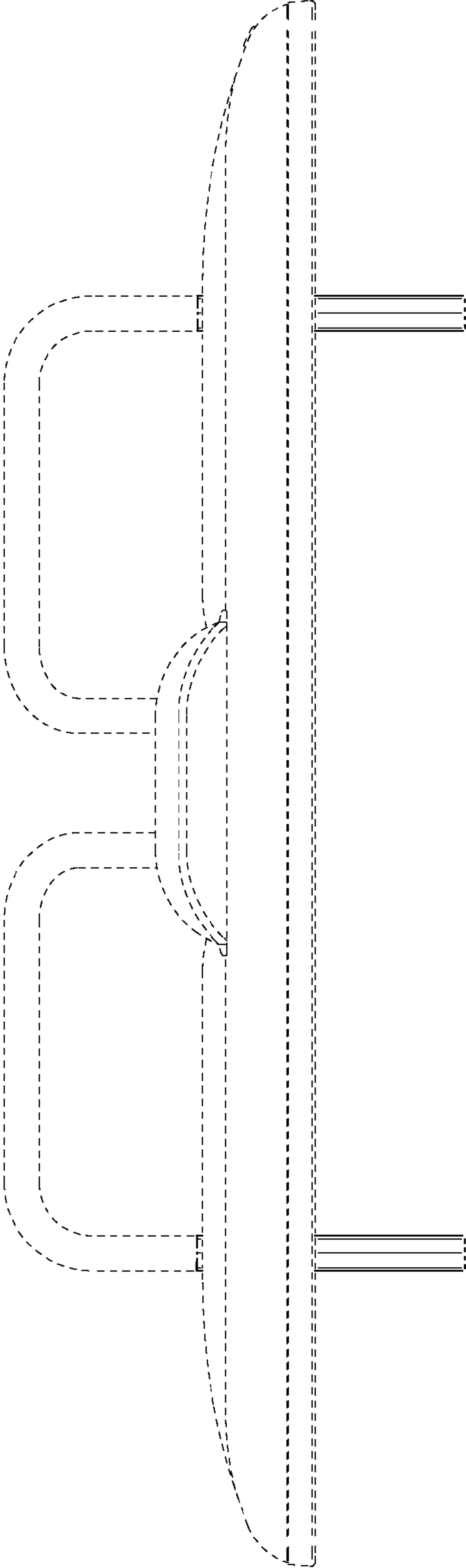


FIG.14

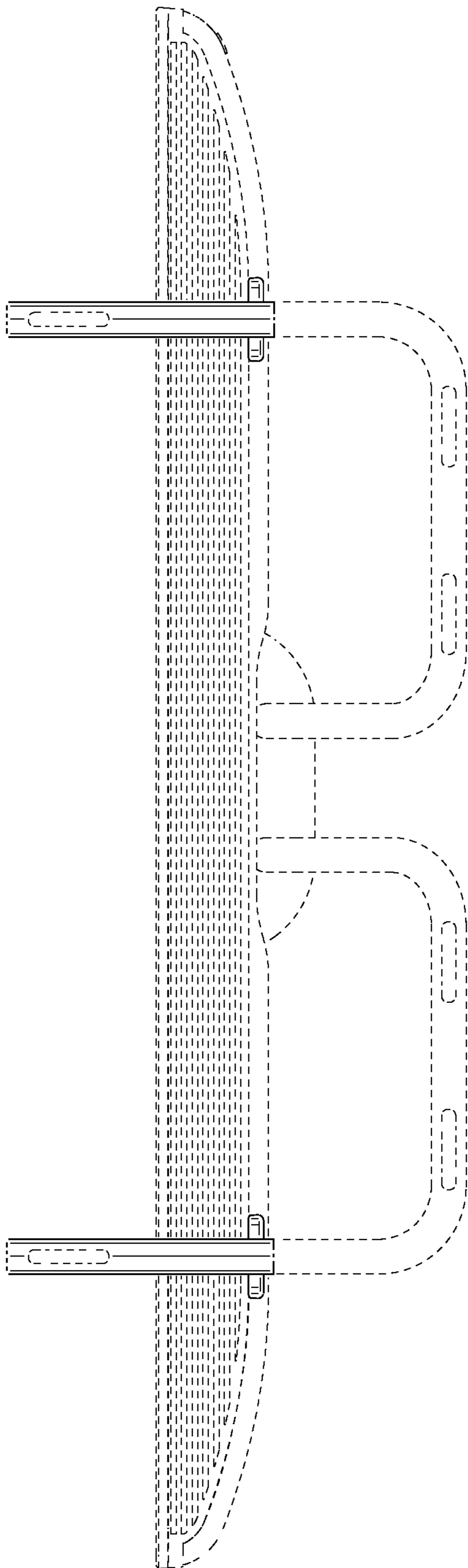


FIG.15

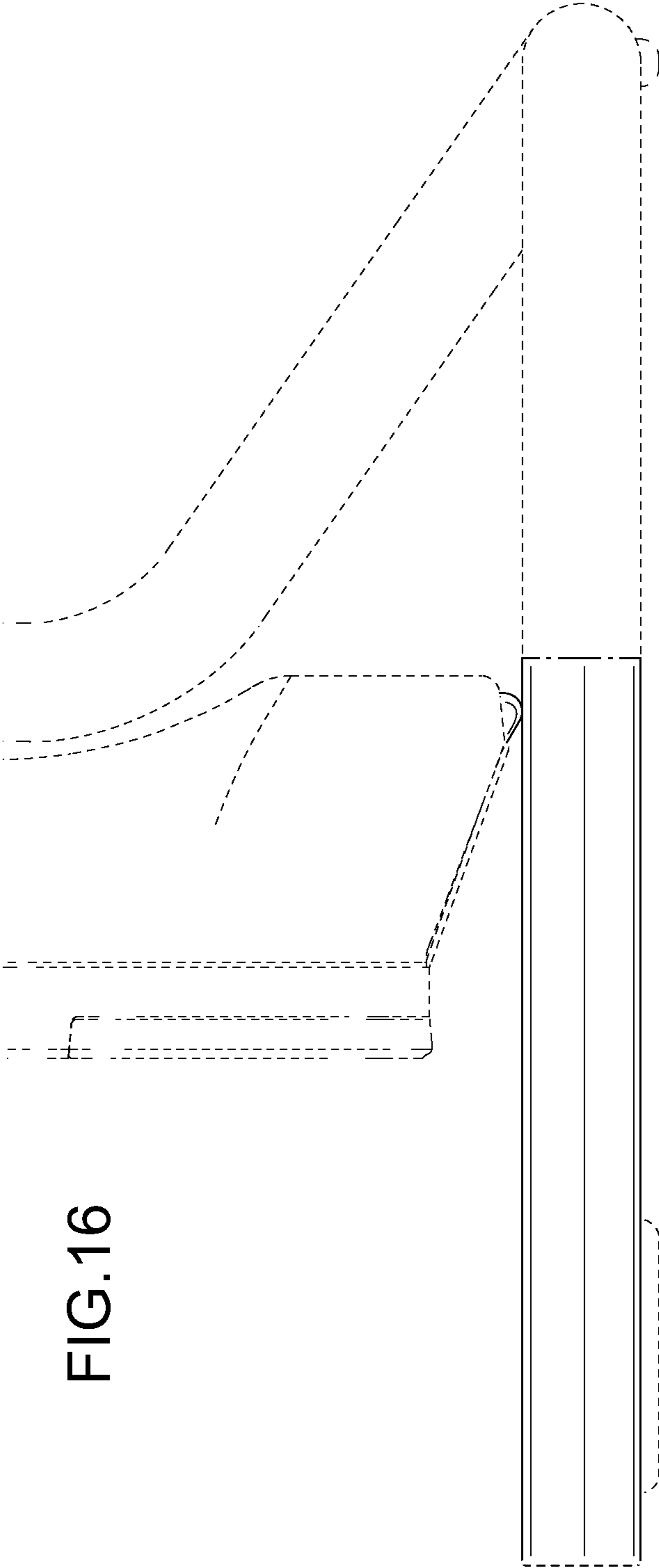


FIG.16

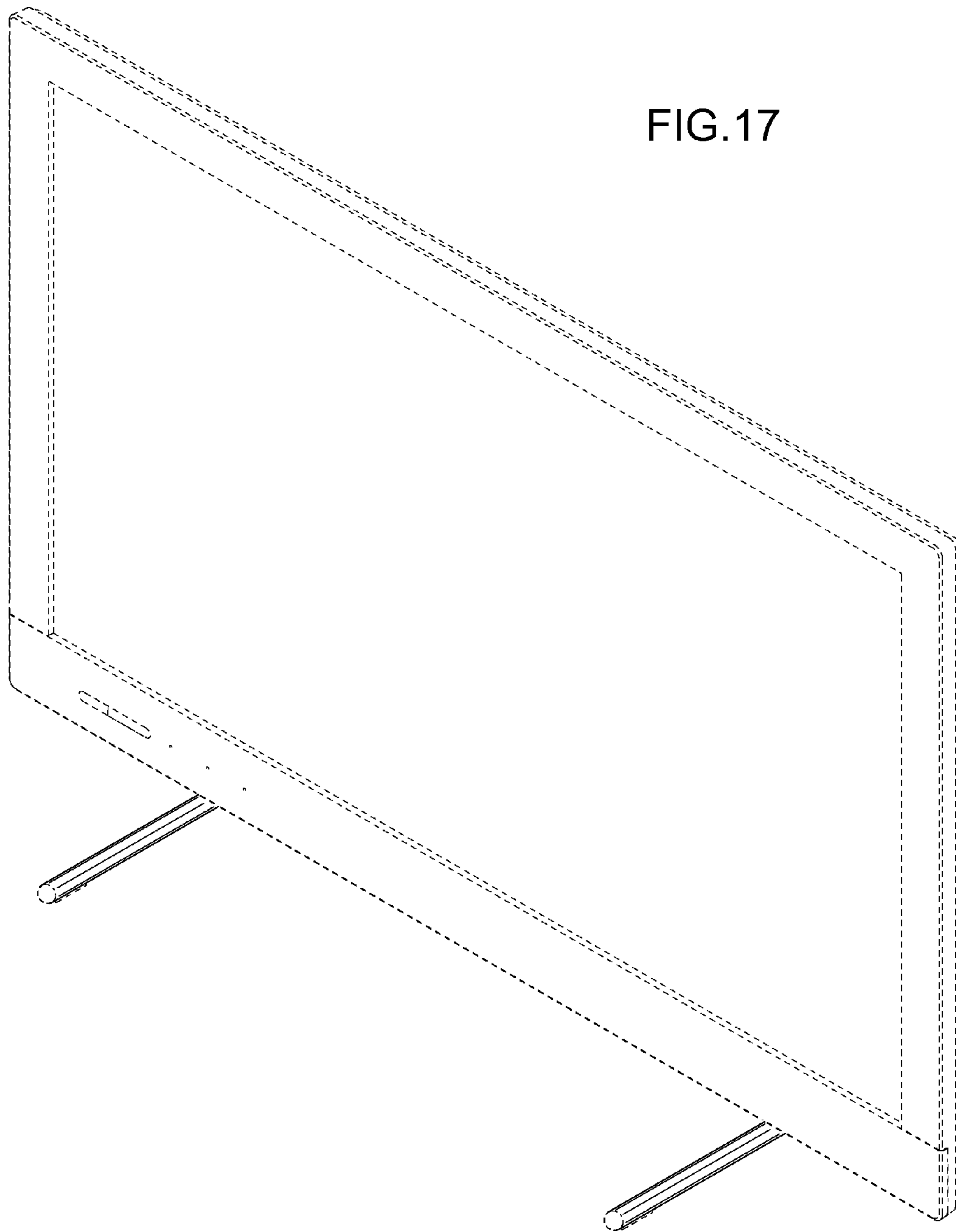


FIG. 17

FIG. 18

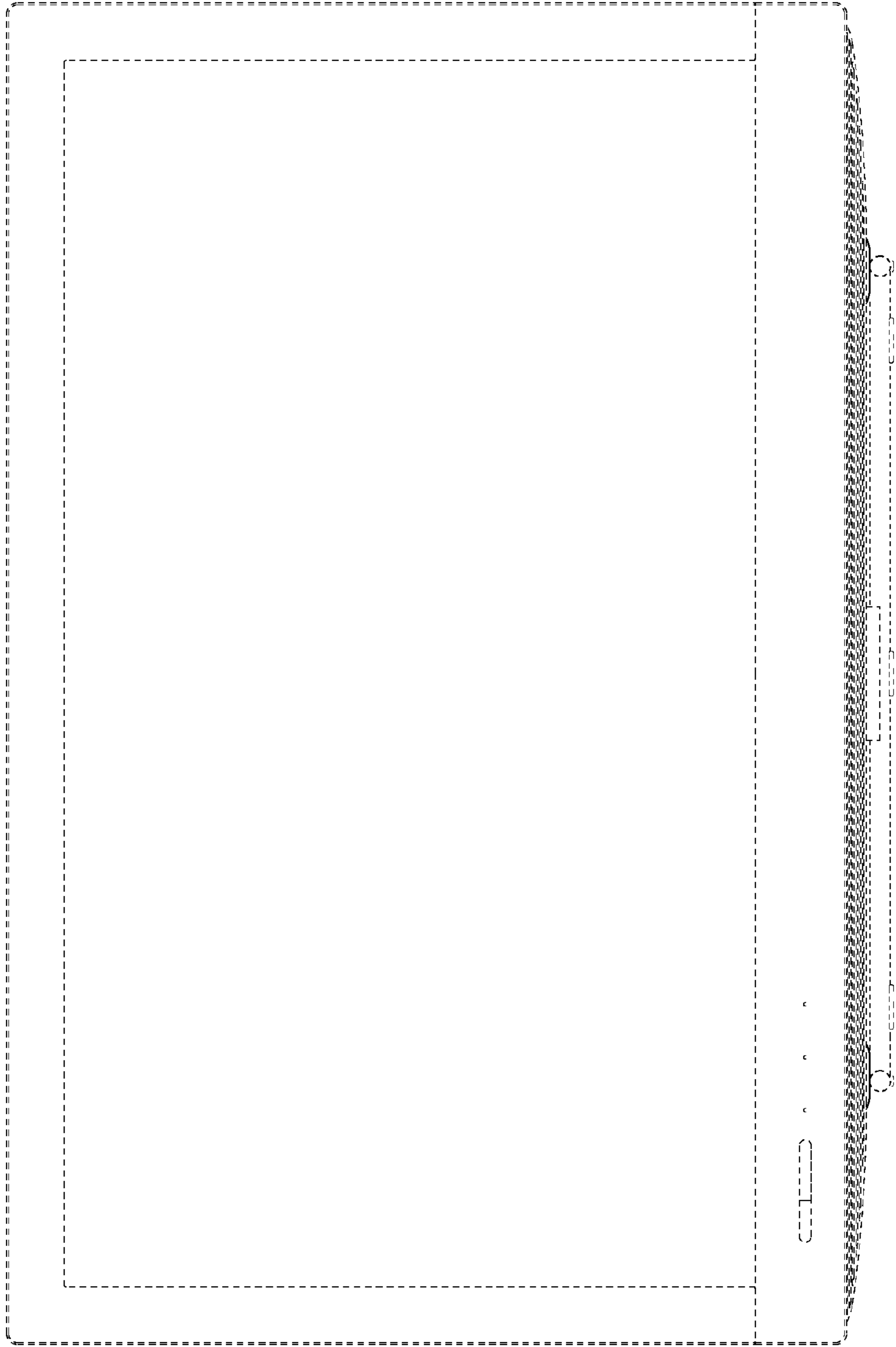
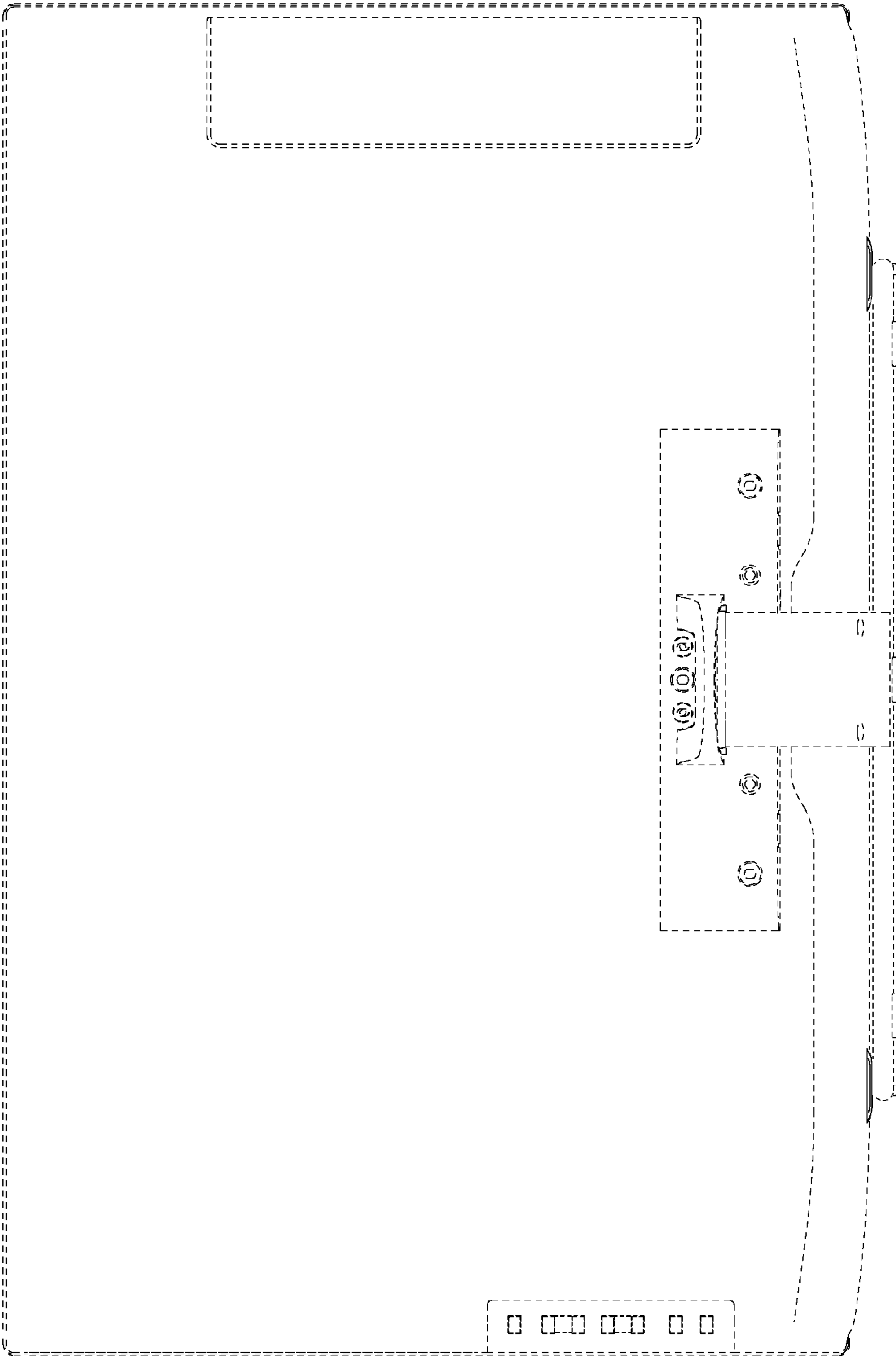


FIG. 19



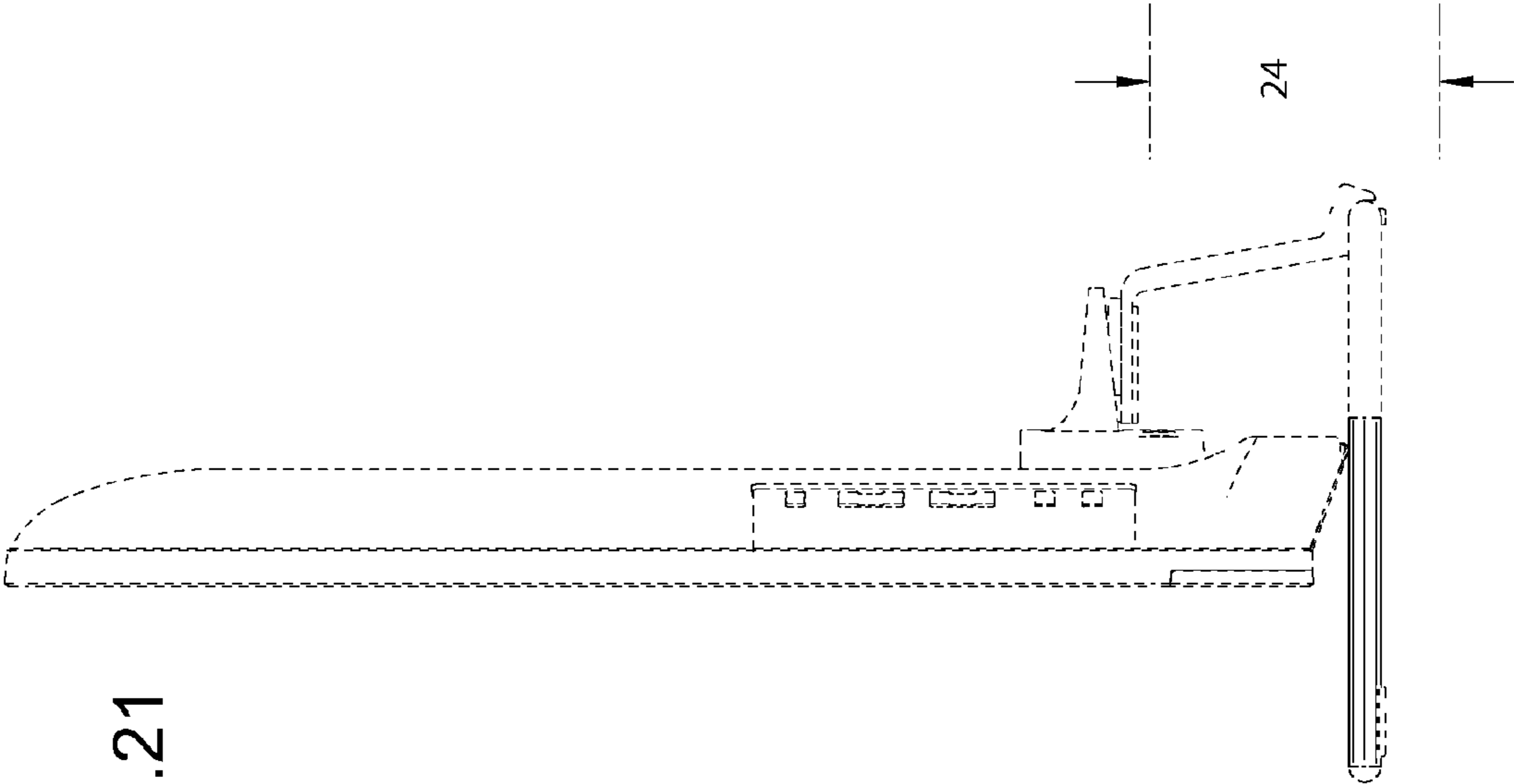


FIG. 21

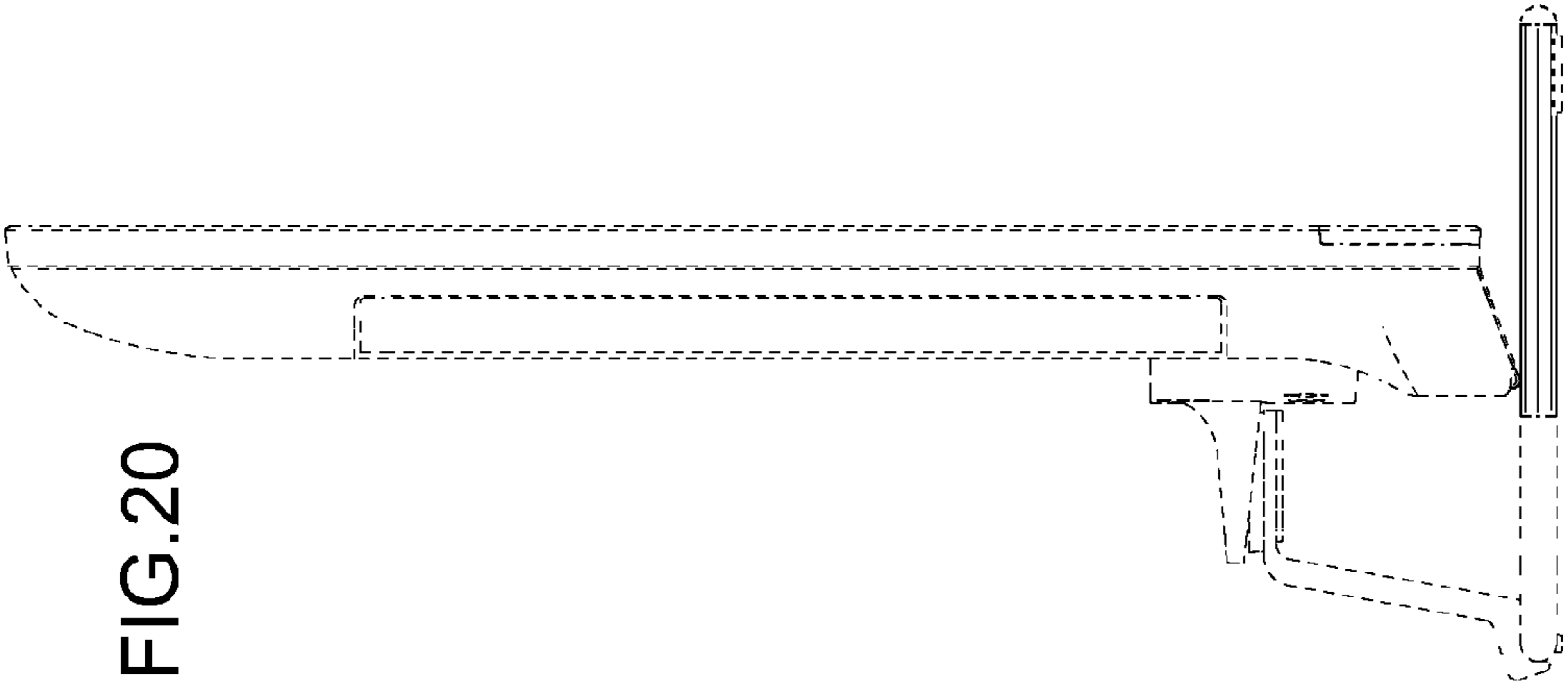
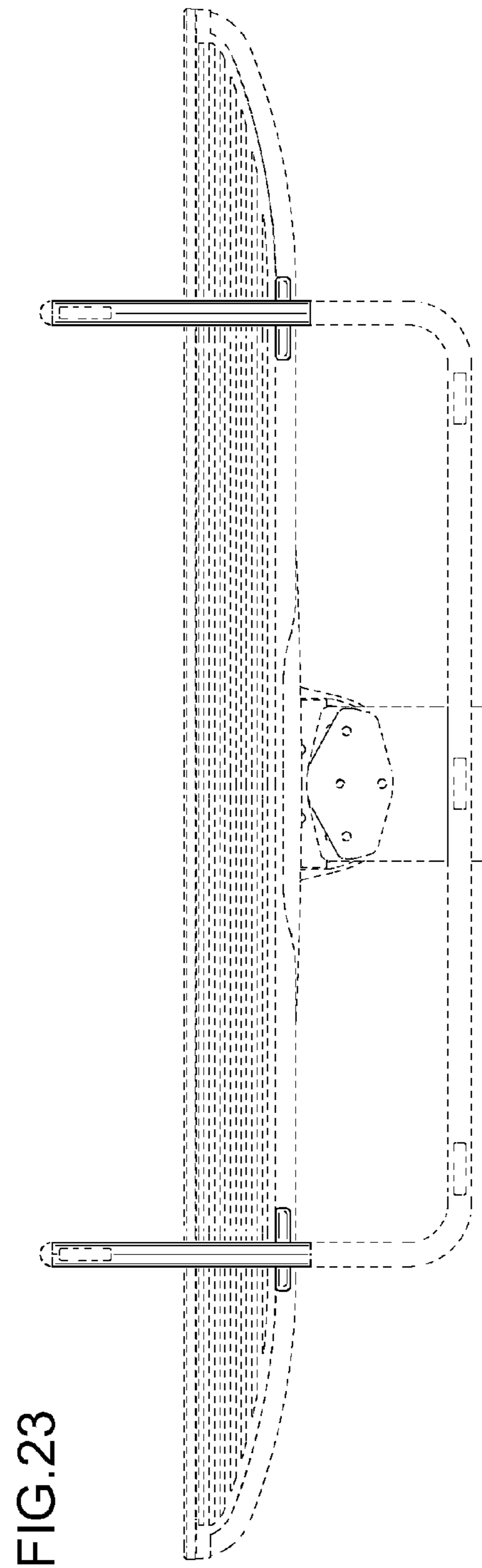
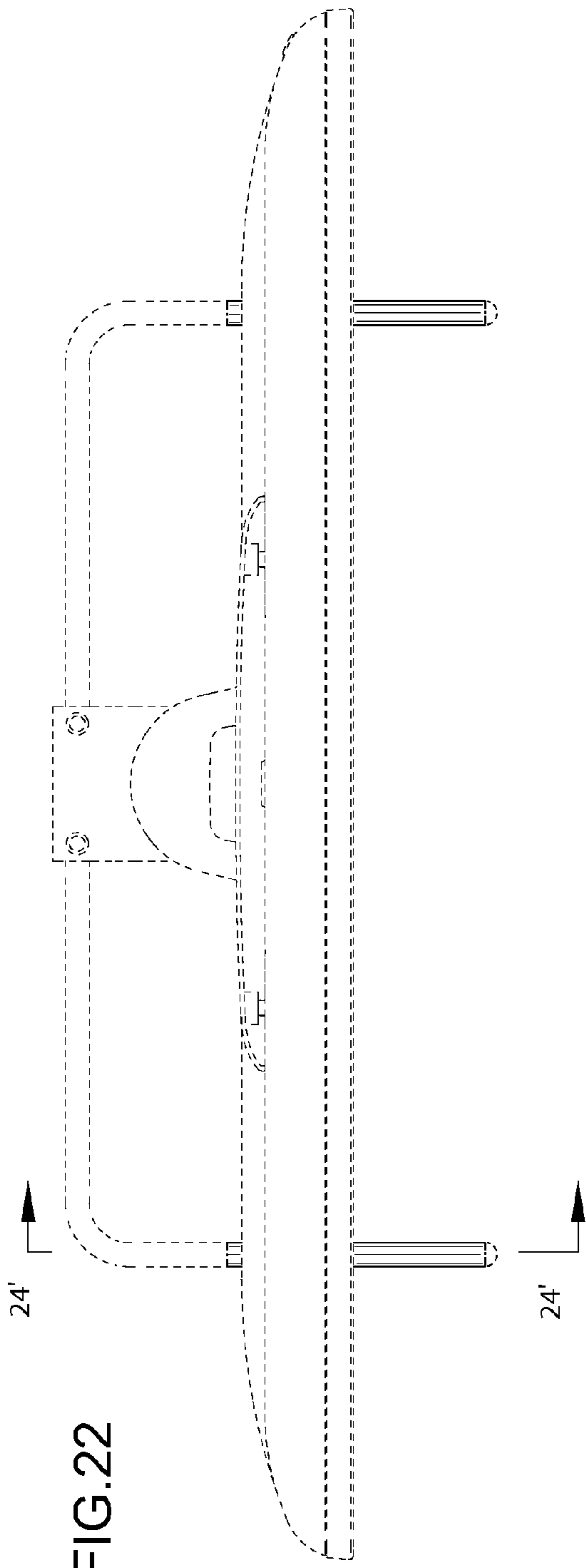


FIG. 20



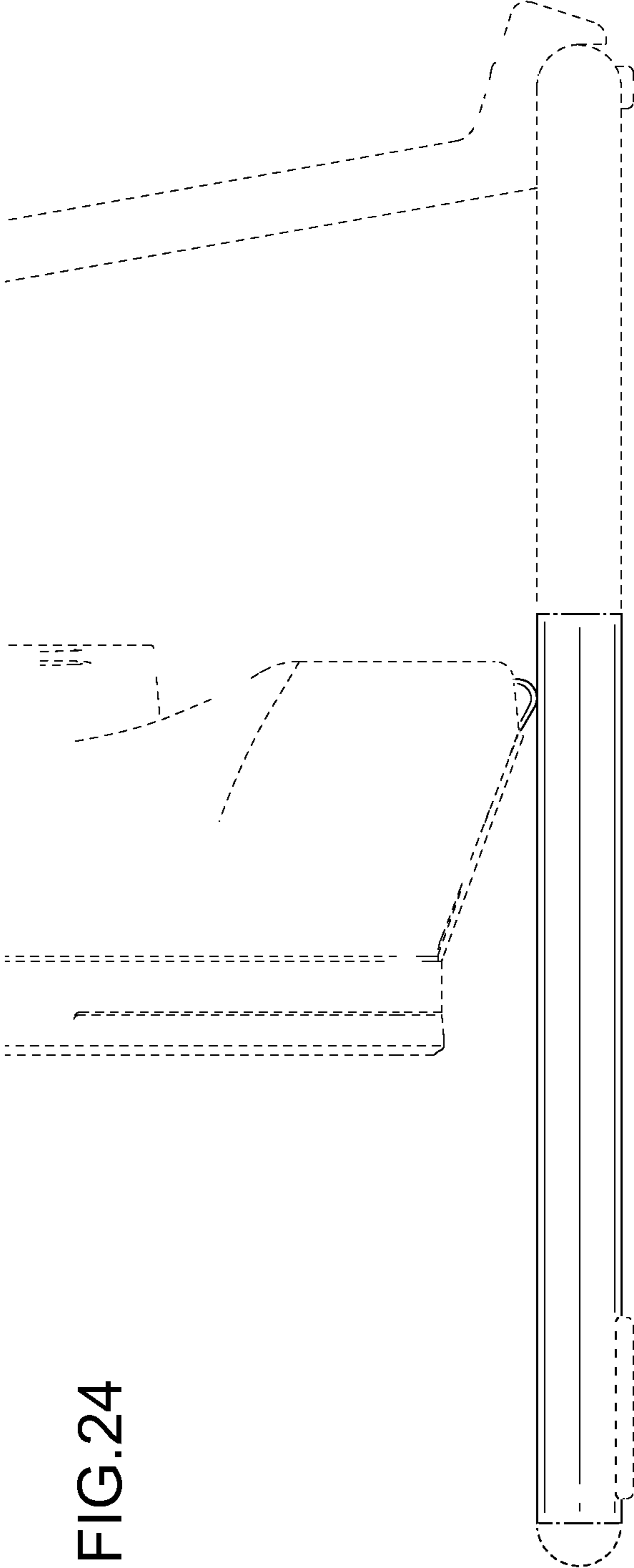


FIG.24