



US00D701854S

(12) **United States Design Patent**
Katsumata et al.

(10) **Patent No.:** **US D701,854 S**
(45) **Date of Patent:** **** Apr. 1, 2014**

(54) **EARPHONE**

(71) Applicant: **Sony Corporation**, Tokyo (JP)

(72) Inventors: **Jun Katsumata**, Tokyo (JP); **So Morimoto**, Tokyo (JP); **Sohei Kitayama**, Tokyo (JP)

(73) Assignee: **Sony Corporation**, Tokyo (JP)

(**) Term: **14 Years**

(21) Appl. No.: **29/436,242**

(22) Filed: **Nov. 2, 2012**

Related U.S. Application Data

(63) Continuation of application No. 29/371,962, filed on Feb. 24, 2012, now Pat. No. Des. 670,274.

(30) **Foreign Application Priority Data**

| | | |
|---------------|------|----------------|
| Aug. 26, 2011 | (CN) | 2011 3 0293385 |
| Aug. 29, 2011 | (JP) | D2011-018469 |
| Aug. 29, 2011 | (JP) | D2011-019468 |
| Aug. 29, 2011 | (JP) | D2011-019470 |
| Aug. 29, 2011 | (JP) | D2011-019471 |
| Aug. 31, 2011 | (JP) | D2011-019738 |
| Aug. 31, 2011 | (JP) | D2011-019744 |
| Aug. 31, 2011 | (JP) | D2011-019745 |
| Aug. 31, 2011 | (JP) | D2011-019747 |

(51) **LOC (10) Cl.** **14-01**

(52) **U.S. Cl.**
USPC **D14/223**

(58) **Field of Classification Search**
USPC D14/223, 215, 216, 217, 218, 219, 242,
D14/496; 181/129, 130, 135; 379/430, 431;
381/380, 381; 455/90.3; D29/122,
D29/120.1; D13/162, 165, 168, 171;
D18/50

See application file for complete search history.

(56) **References Cited**

U.S. PATENT DOCUMENTS

D306,853 S * 3/1990 Mayo et al. D13/168
D317,137 S * 5/1991 Kulikowski et al. D10/108

(Continued)

FOREIGN PATENT DOCUMENTS

JP D1343042 S 10/2008
JP D1343043 S 10/2008

Primary Examiner — Paula Greene

(74) *Attorney, Agent, or Firm* — Rader, Fishman & Grauer PLLC

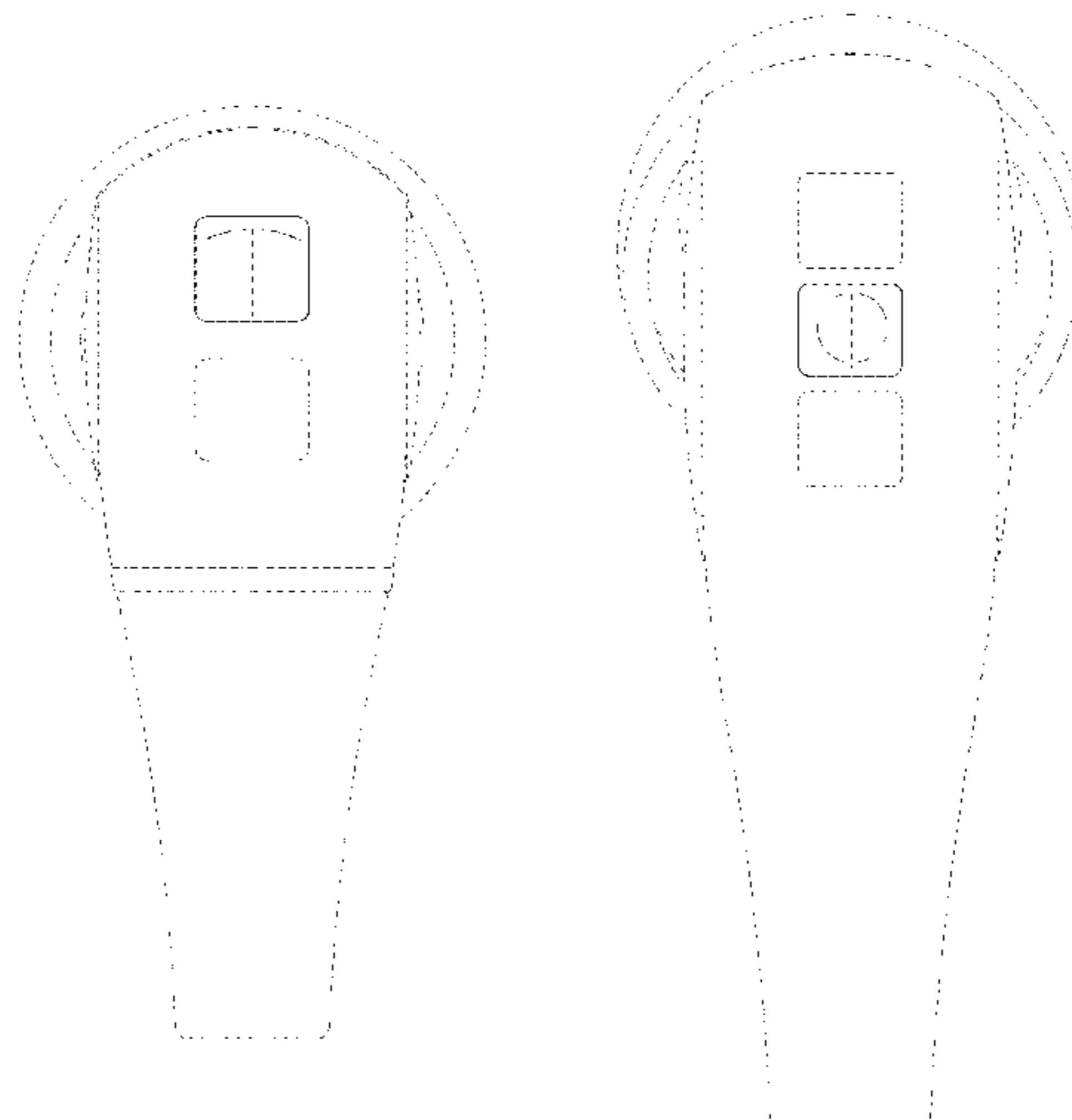
(57) **CLAIM**

The ornamental design for an earphone, as shown and described.

DESCRIPTION

FIG. 1 is a rear, left perspective view of a first embodiment of an earphone showing our new design; FIG. 2 is a rear elevational view thereof; FIG. 3 is a left side elevational view thereof; FIG. 4 is a right side elevational view thereof; and FIG. 5 is a top plan view thereof. FIG. 6 is a rear, left perspective view of a second embodiment of an earphone showing our new design; FIG. 7 is a rear elevational view thereof; FIG. 8 is a left side elevational view thereof; FIG. 9 is a right side elevational view thereof; FIG. 10 is a top plan view thereof; and FIG. 11 is a bottom plan view thereof. FIG. 12 is a rear, left perspective view of a third embodiment of an earphone showing our new design; FIG. 13 is a rear elevational view thereof; FIG. 14 is a left side elevational view thereof; FIG. 15 is a right side elevational view thereof; and FIG. 16 is a top plan view thereof. The portions indicated in broken lines are for illustrative purposes only and form no part of the claimed design.

1 Claim, 15 Drawing Sheets



(56)

References Cited

U.S. PATENT DOCUMENTS

| | | | | | | | | | |
|-----------|-----|---------|---------------------|-----------|----------|-----|---------|------------------|-----------|
| 5,046,618 | A * | 9/1991 | Wood | 206/532 | D577,713 | S * | 9/2008 | Kim et al. | D14/218 |
| 5,222,151 | A | 6/1993 | Nagayoshi et al. | | D583,378 | S * | 12/2008 | Bradford et al. | D14/407 |
| D373,998 | S * | 9/1996 | Tutt et al. | D13/168 | D583,778 | S * | 12/2008 | Ohlert et al. | D13/174 |
| D376,114 | S * | 12/1996 | Seki et al. | D10/104.1 | D584,244 | S * | 1/2009 | Ohlert et al. | D13/174 |
| D384,958 | S | 10/1997 | Shudo | | D585,876 | S * | 2/2009 | Griffin | D14/218 |
| D389,151 | S * | 1/1998 | Shintani | D14/218 | D587,247 | S | 2/2009 | Densho | |
| D423,846 | S | 5/2000 | Roth et al. | | D587,677 | S | 3/2009 | Andre et al. | |
| 6,122,369 | A | 9/2000 | Hwang et al. | | D587,681 | S | 3/2009 | Yanai | |
| D431,553 | S | 10/2000 | Suzuki | | D589,491 | S | 3/2009 | Andre et al. | |
| D434,012 | S * | 11/2000 | Krieser, Sr. | D13/168 | D590,371 | S | 4/2009 | Leinvuo | |
| D451,482 | S * | 12/2001 | Vanderheiden et al. | D13/162 | D590,814 | S * | 4/2009 | Bradford | D14/223 |
| 6,411,722 | B1 | 6/2002 | Wolf | | D591,722 | S | 5/2009 | Densho | |
| 6,668,064 | B1 | 12/2003 | Lin | | D595,272 | S * | 6/2009 | Kim et al. | D14/223 |
| 6,731,772 | B1 | 5/2004 | Byun | | D596,166 | S * | 7/2009 | Henning | D14/223 |
| D533,863 | S * | 12/2006 | Yamaji | D14/167 | D596,616 | S | 7/2009 | Andre et al. | |
| D533,868 | S | 12/2006 | Koizumi | | D599,330 | S | 9/2009 | Andre et al. | |
| D542,782 | S | 5/2007 | Pena Angarita | | D602,466 | S * | 10/2009 | Hibino et al. | D14/203.3 |
| D550,297 | S * | 9/2007 | Luciano et al. | D21/385 | D602,919 | S * | 10/2009 | Bodley et al. | D14/225 |
| D552,562 | S * | 10/2007 | Yamamoto et al. | D13/168 | D614,166 | S * | 4/2010 | Brickstad | D14/205 |
| D553,583 | S * | 10/2007 | Xu | D13/164 | D614,171 | S * | 4/2010 | Son et al. | D14/218 |
| D553,613 | S * | 10/2007 | Sade et al. | D14/223 | D617,779 | S * | 6/2010 | Nylen | D14/223 |
| D556,210 | S * | 11/2007 | Choi et al. | D14/496 | D627,765 | S | 11/2010 | Zheng | |
| D566,692 | S * | 4/2008 | Sade et al. | D14/223 | D631,037 | S * | 1/2011 | Park et al. | D14/223 |
| D568,291 | S | 5/2008 | Andre et al. | | D637,181 | S * | 5/2011 | Fuller et al. | D14/223 |
| D569,289 | S * | 5/2008 | Bender | D10/104.1 | D639,279 | S | 6/2011 | Andre et al. | |
| D573,957 | S * | 7/2008 | Ledbetter et al. | D13/168 | D641,738 | S | 7/2011 | Perez | |
| D575,276 | S * | 8/2008 | Bradford et al. | D14/223 | D656,481 | S | 3/2012 | McManigal | |
| D576,609 | S * | 9/2008 | Bradford et al. | D14/223 | D656,492 | S | 3/2012 | Huang | |
| | | | | | D664,522 | S * | 7/2012 | Chen | D14/223 |
| | | | | | D670,274 | S * | 11/2012 | Katsumata et al. | D14/223 |

* cited by examiner

FIG. 1

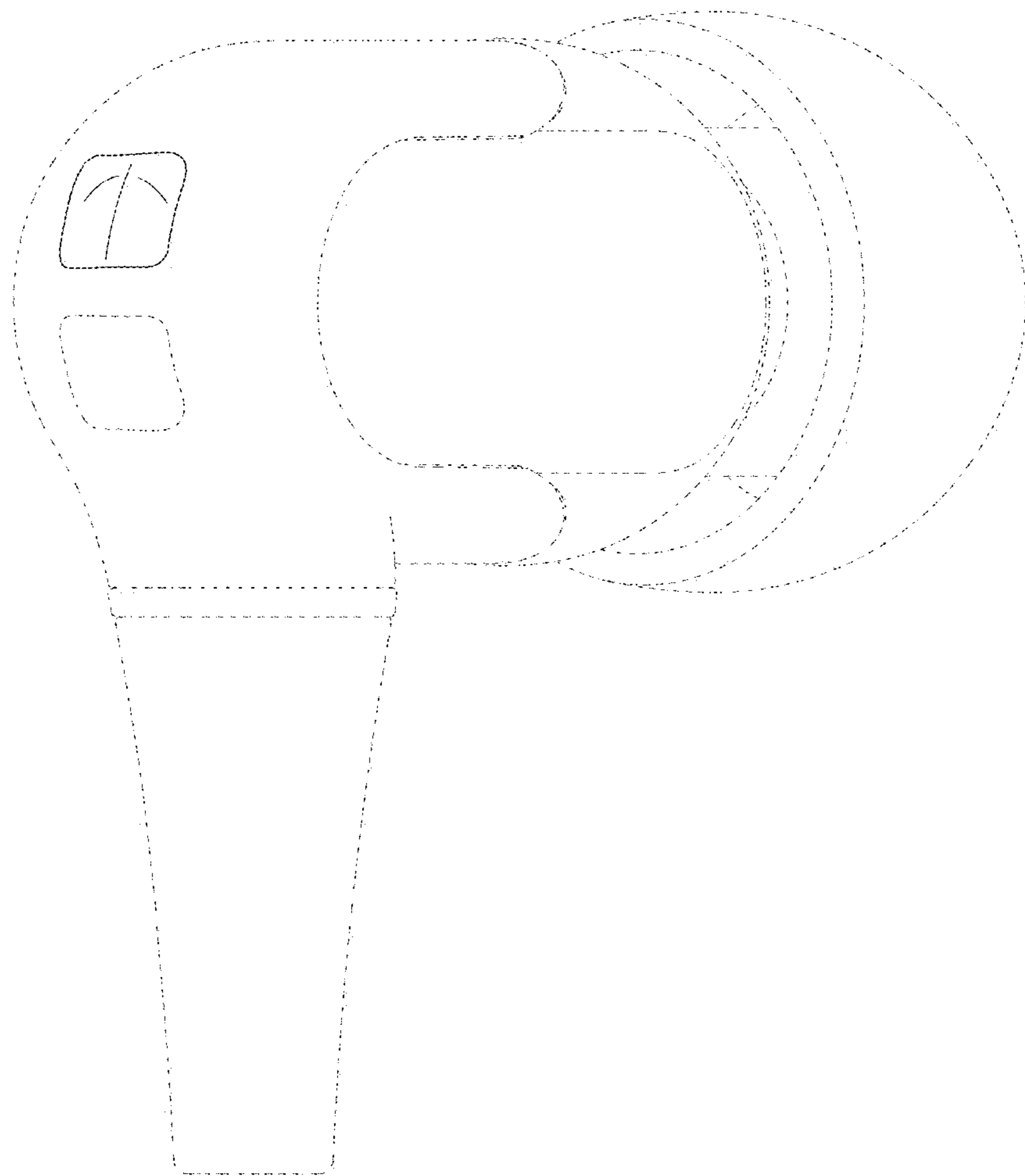


FIG.2

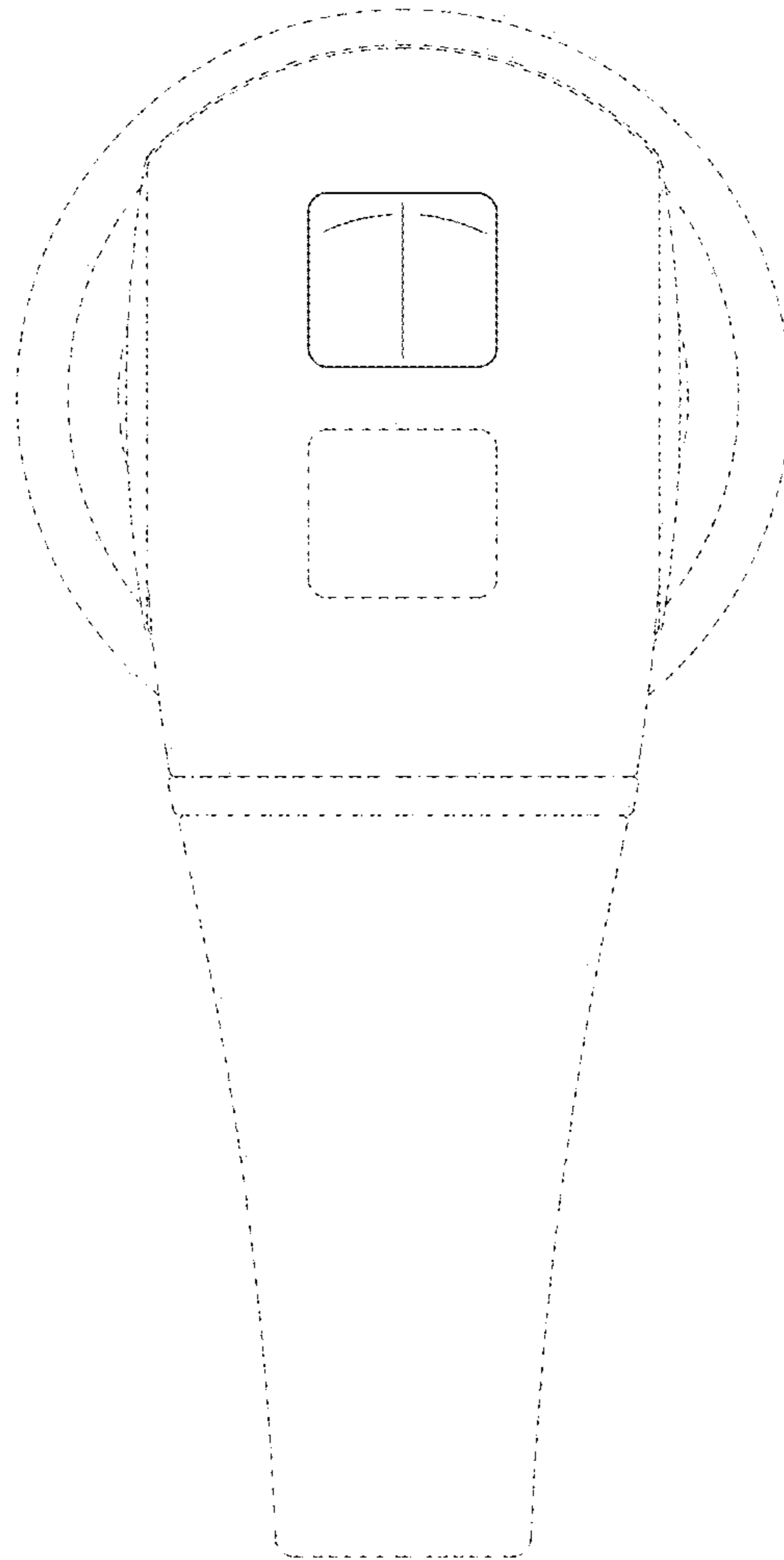


FIG.3

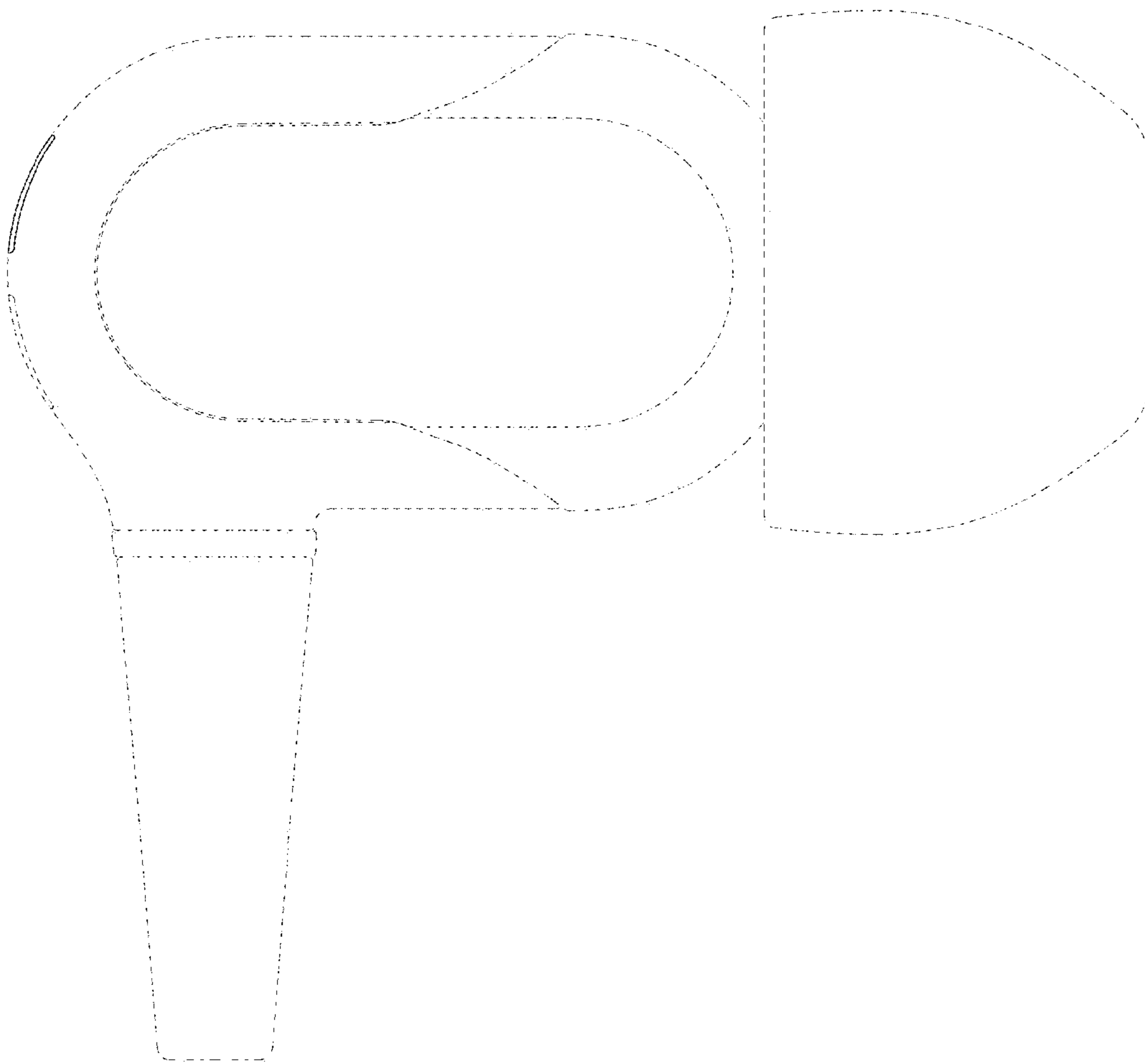


FIG.4

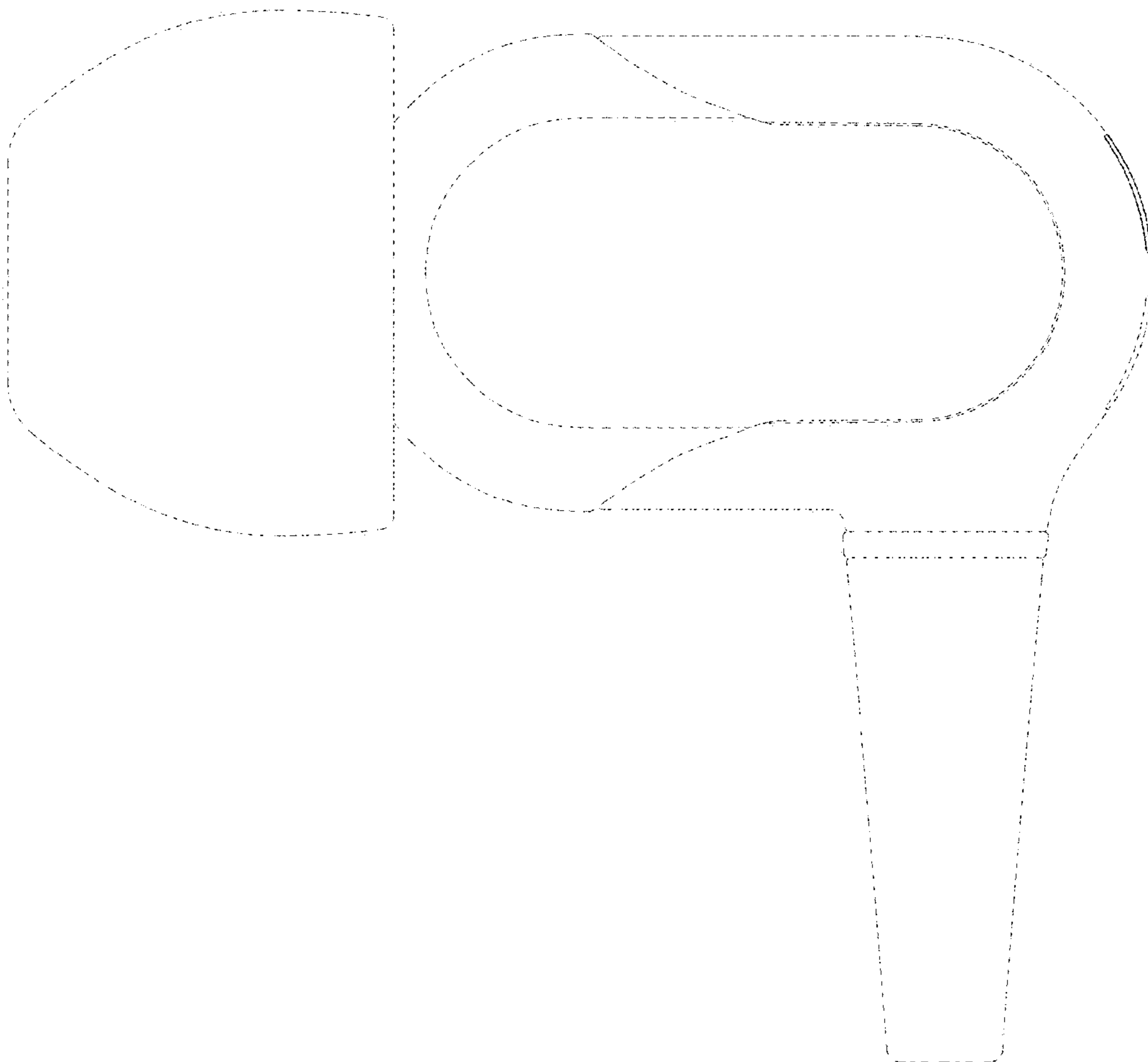


FIG.5

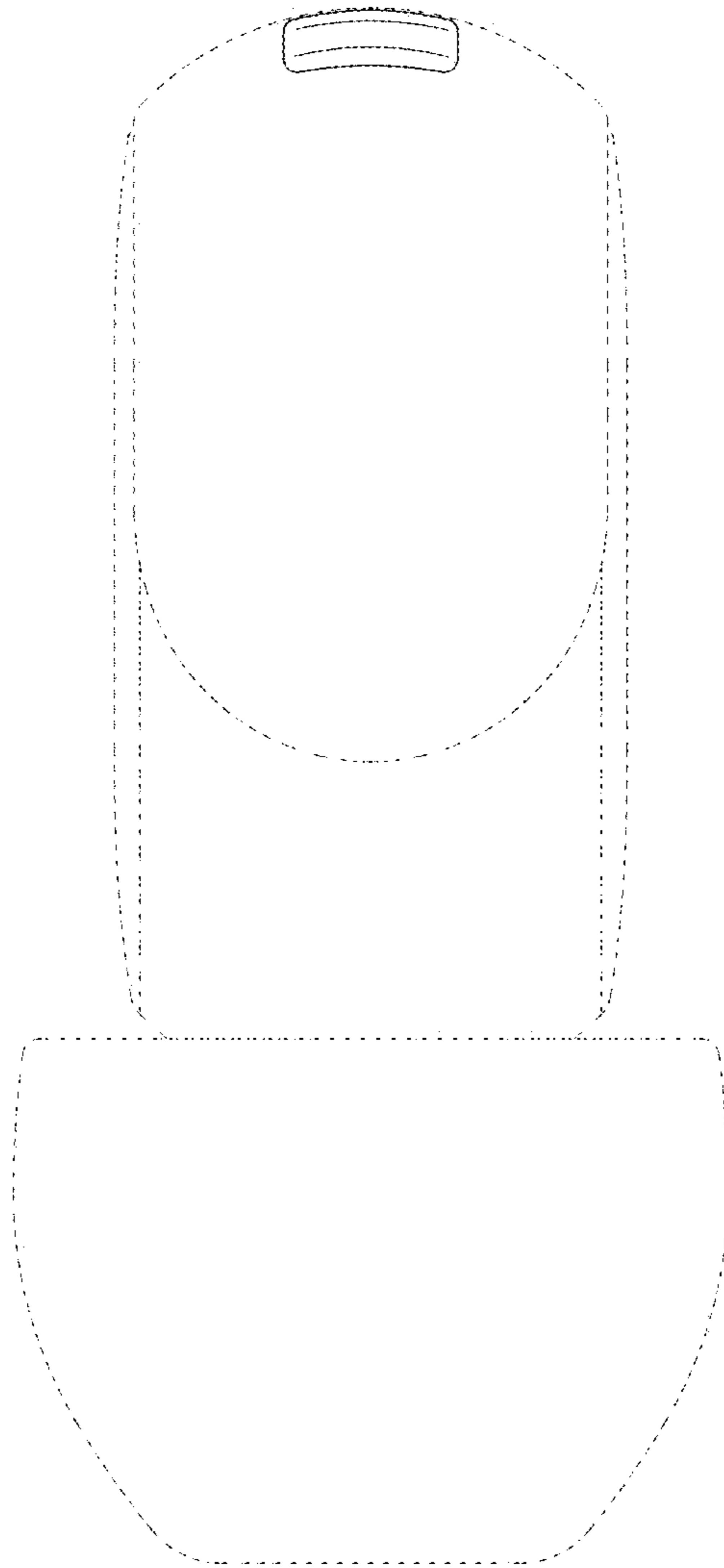


FIG.6

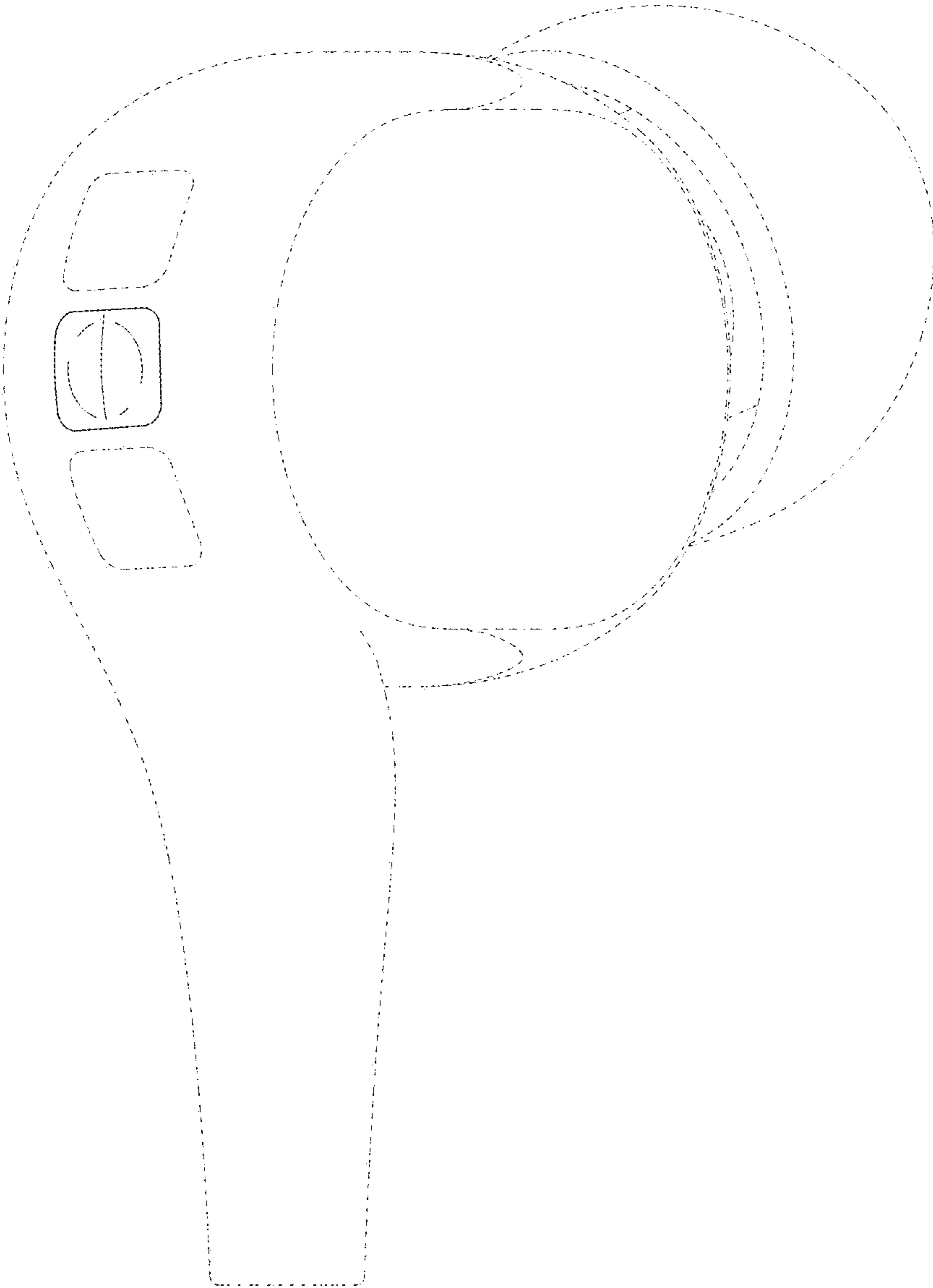


FIG.7

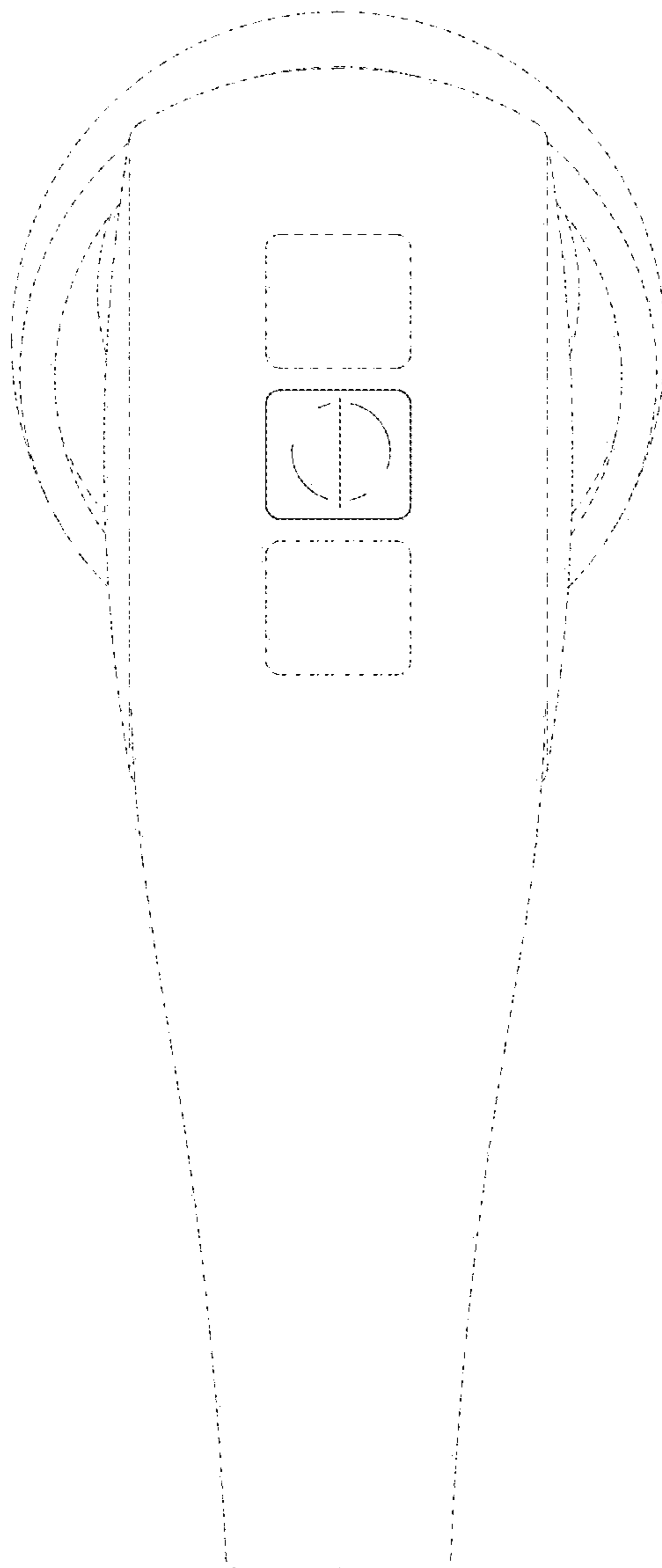


FIG.8

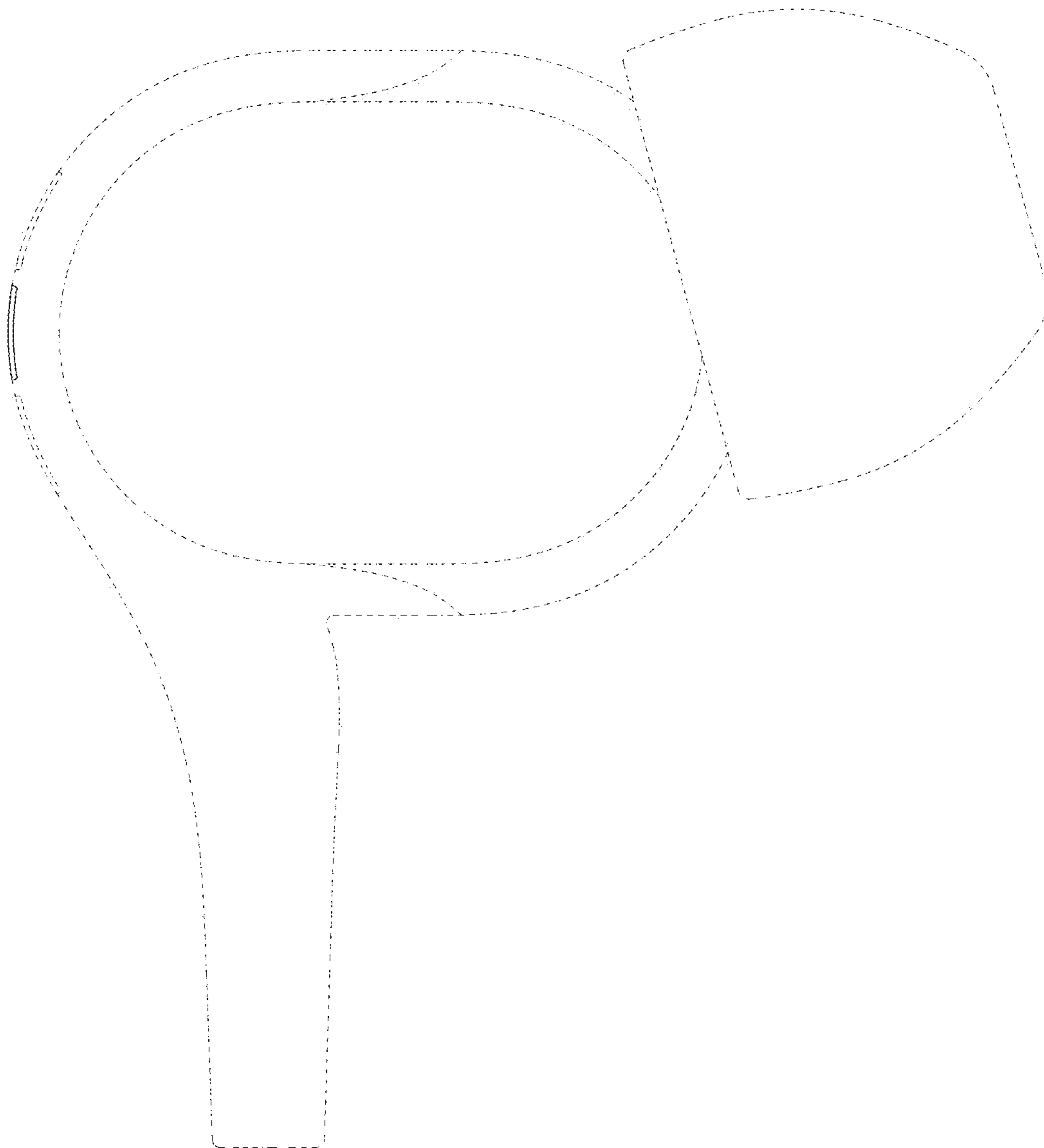


FIG.9

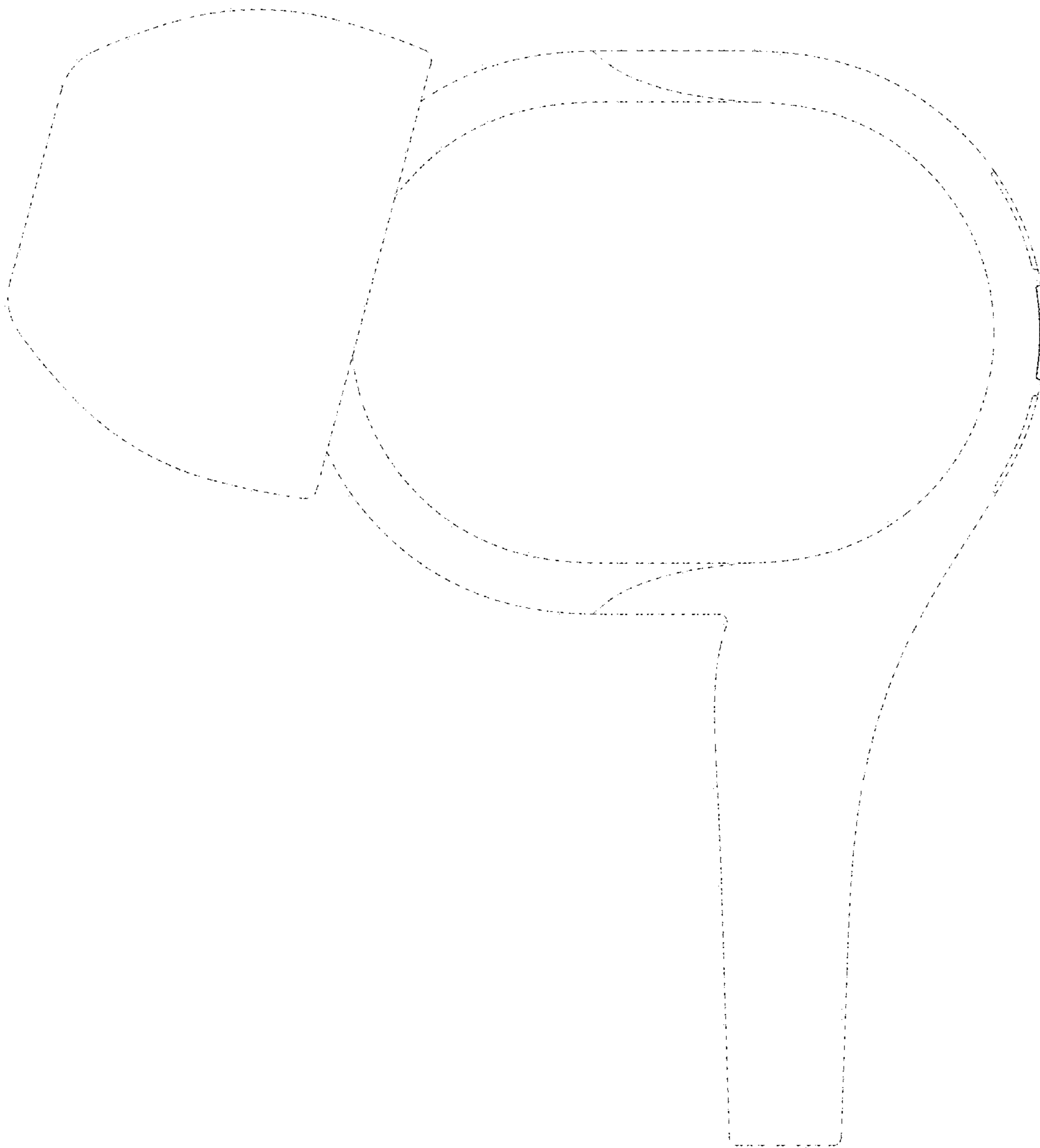


FIG.10

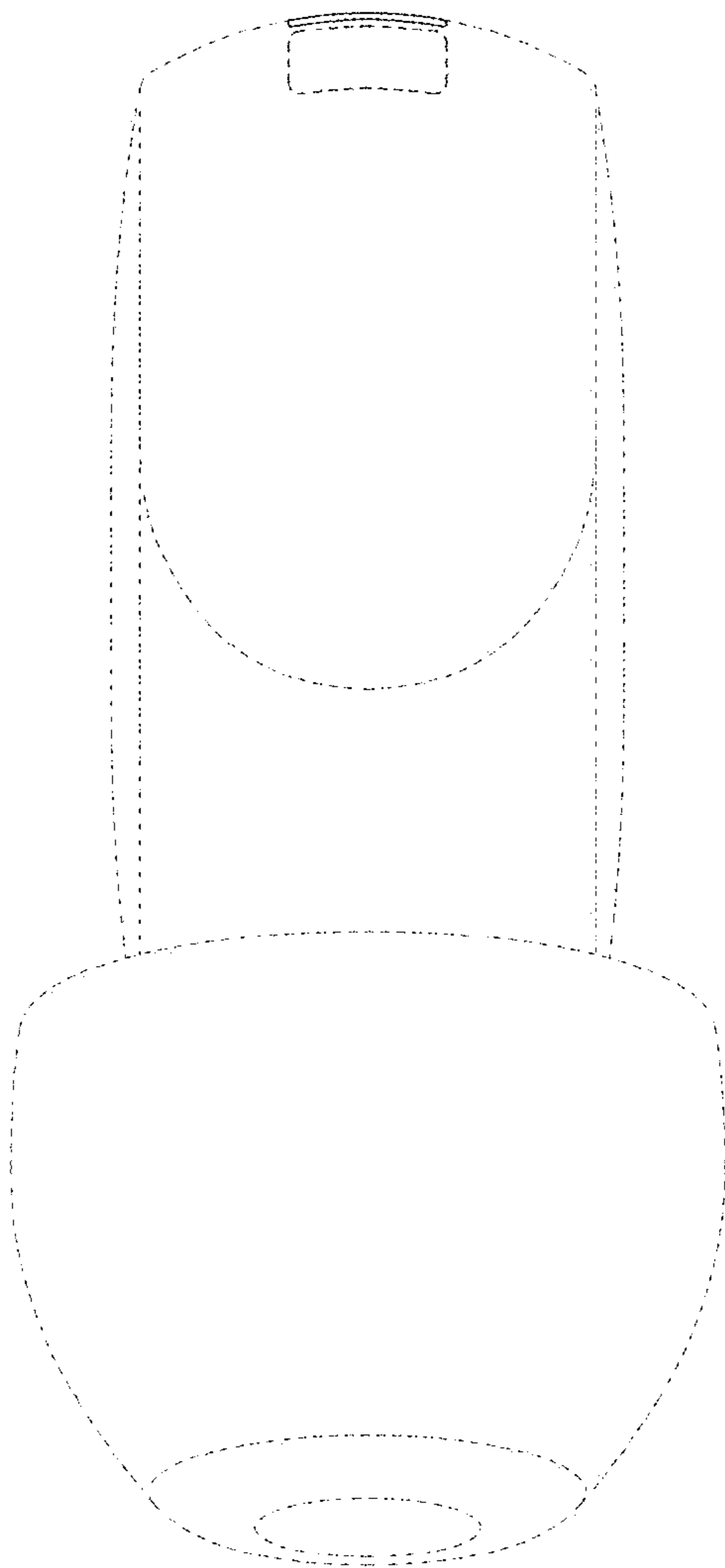


FIG.11

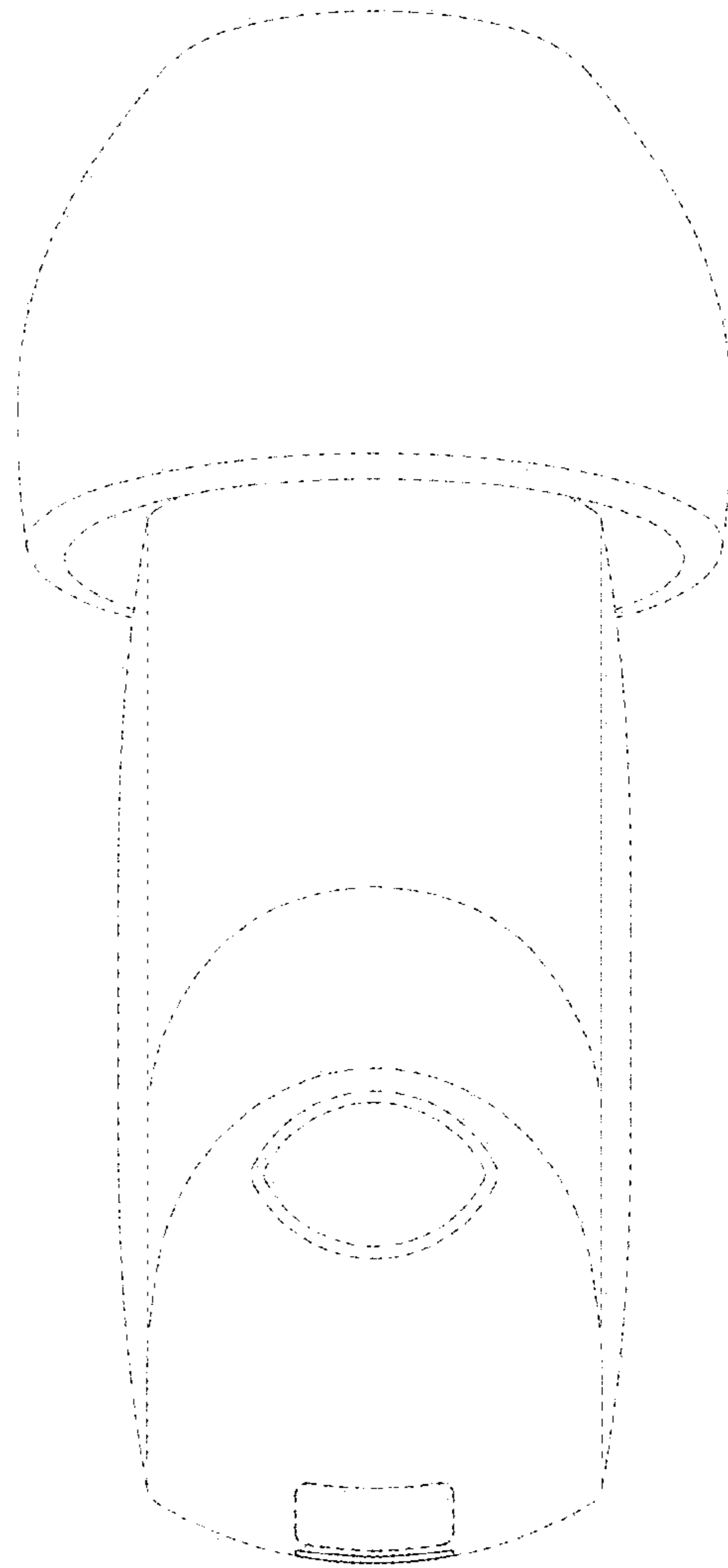


FIG. 12

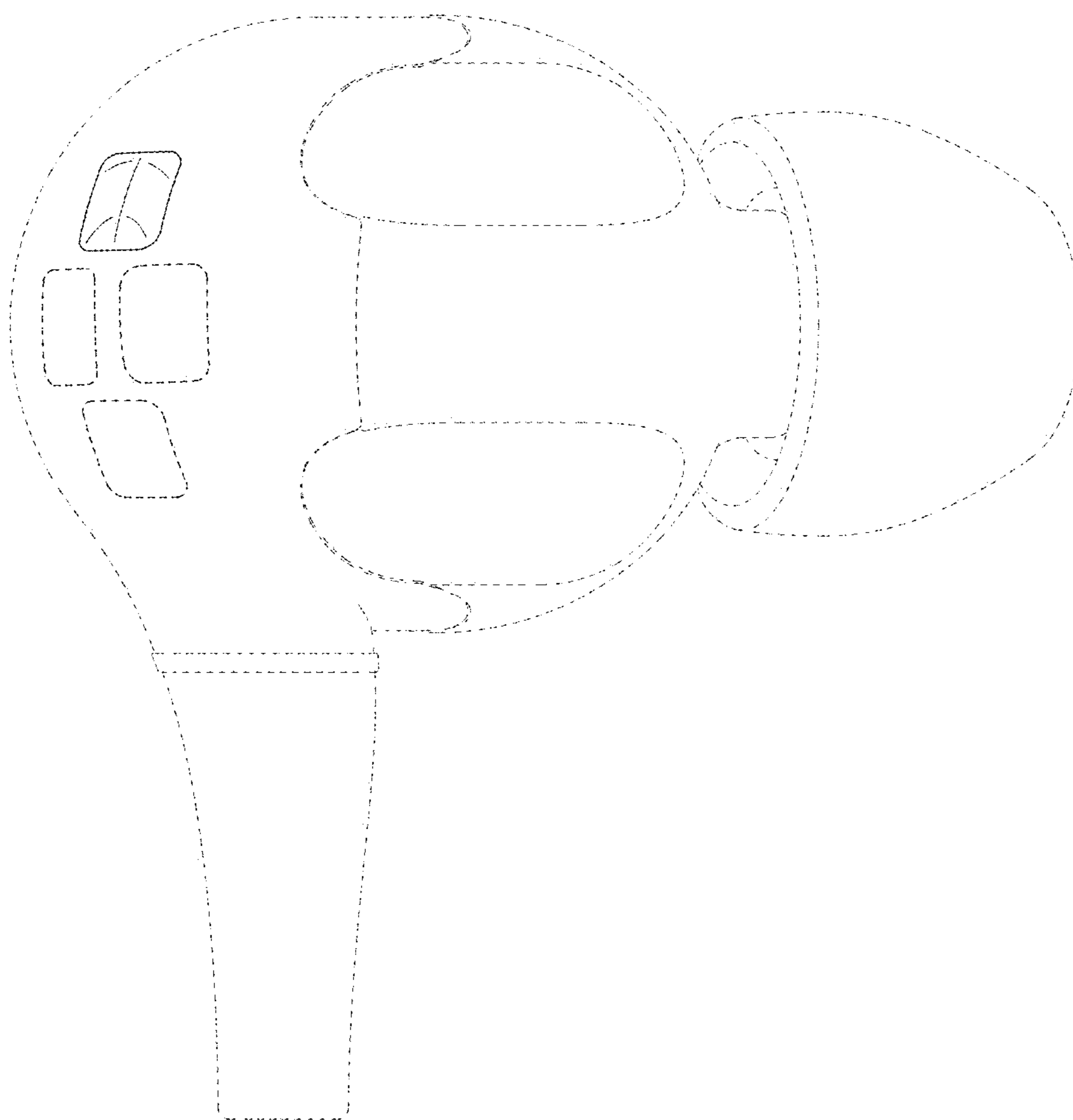


FIG. 13

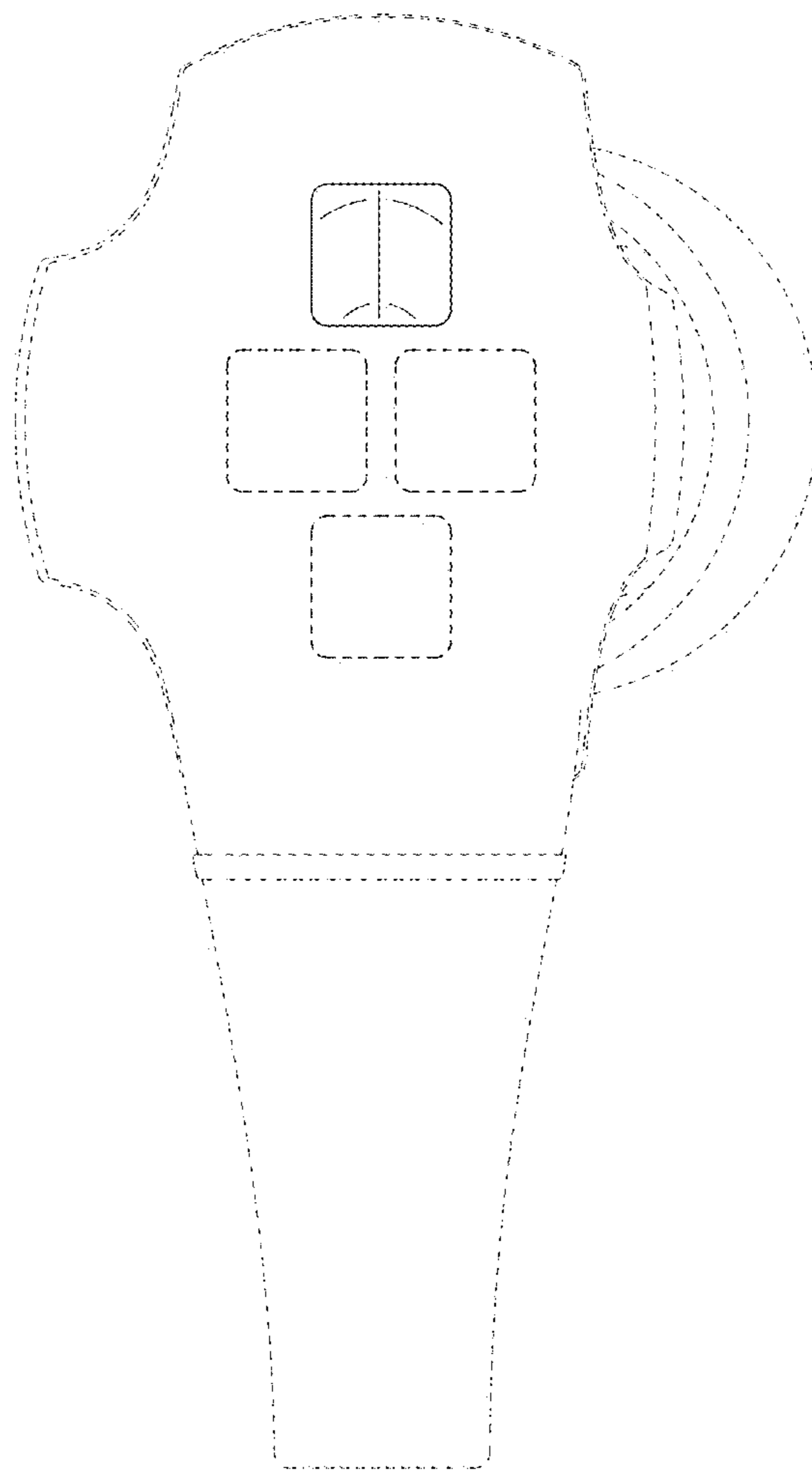


FIG.14

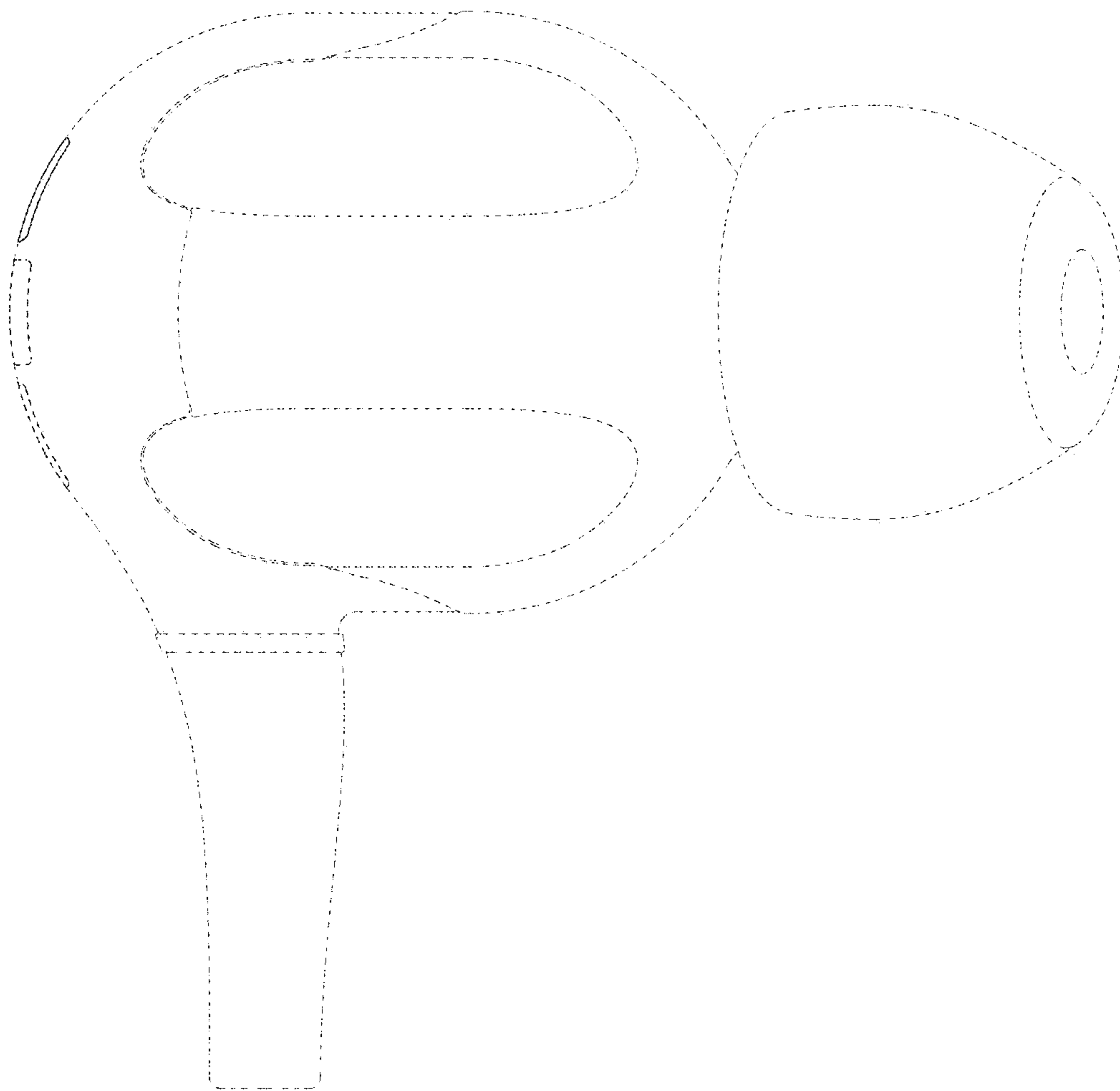


FIG.15

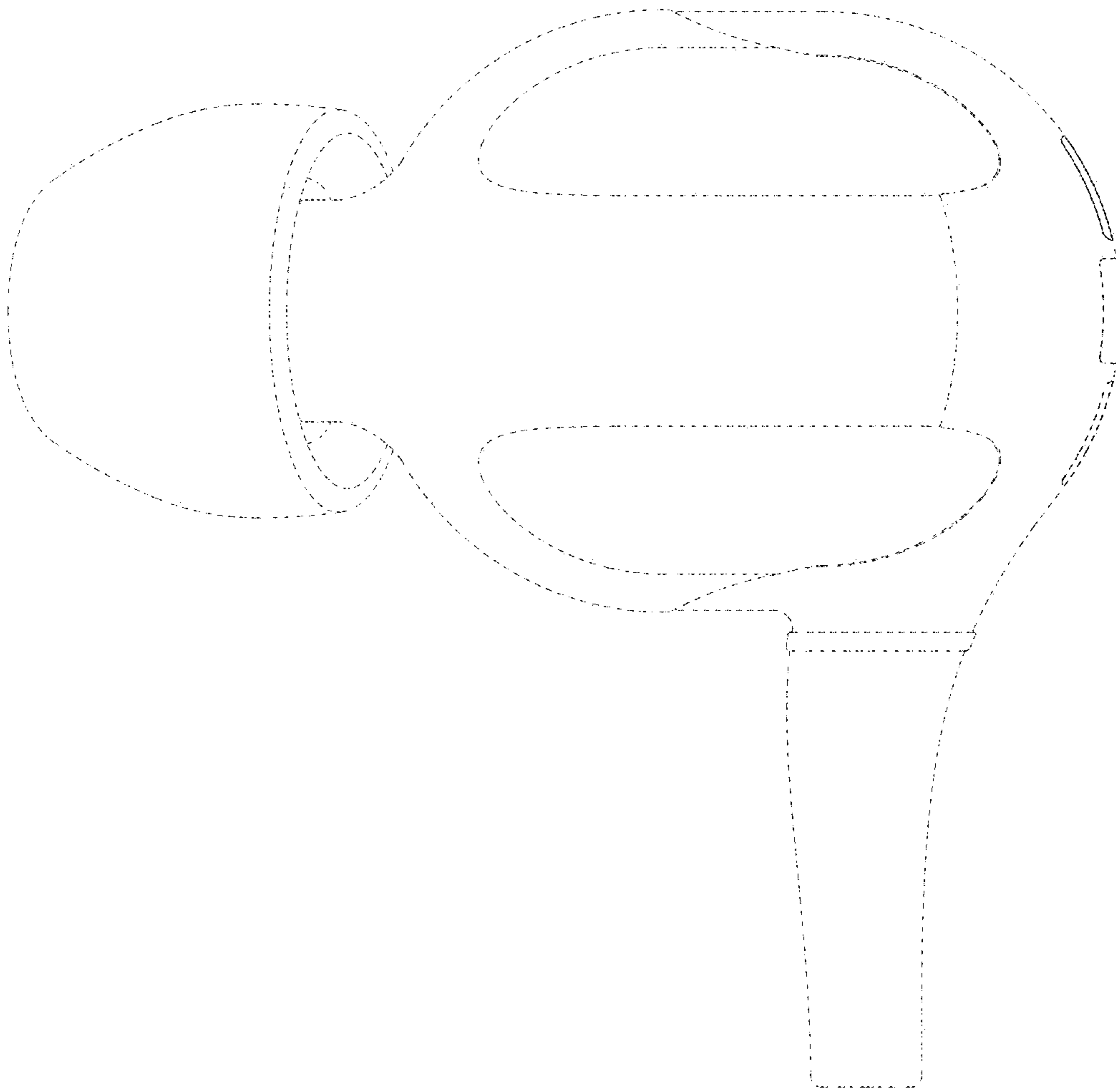


FIG. 16

