



US00D701845S

(12) **United States Design Patent**  
**Kwon et al.**

(10) **Patent No.:** **US D701,845 S**  
(45) **Date of Patent:** **\*\* Apr. 1, 2014**

(54) **TELEVISION RECEIVER**

(56) **References Cited**

(71) Applicant: **LG Display Co., Ltd.**, Seoul (KR)

U.S. PATENT DOCUMENTS

(72) Inventors: **Ik Hwan Kwon**, Seoul (KR); **Sang Yeol Kim**, Seoul (KR); **Dae Seong Kim**, Goyang-si (KR)

D581,378	S	*	11/2008	Chiu	.....	D14/126
D609,705	S	*	2/2010	Andre et al.	.....	D14/374
D622,233	S	*	8/2010	Shin et al.	.....	D14/126
D622,240	S	*	8/2010	Liu et al.	.....	D14/126
D659,660	S	*	5/2012	Kumano	.....	D14/126
D671,938	S	*	12/2012	Hsu et al.	.....	D14/341
D673,129	S	*	12/2012	Kumano	.....	D14/126

(73) Assignee: **LG Display Co., Ltd.**, Seoul (KR)

\* cited by examiner

(\*\*) Term: **14 Years**

*Primary Examiner* — Raphael Barkai

(21) Appl. No.: **29/453,253**

(74) *Attorney, Agent, or Firm* — Birch, Stewart, Kolasch & Birch, LLP

(22) Filed: **Apr. 26, 2013**

(57) **CLAIM**

(30) **Foreign Application Priority Data**

The ornamental design for a television receiver, as shown and described.

Oct. 26, 2012 (KR) ..... 30-2012-0051073

**DESCRIPTION**

(51) **LOC (10) Cl.** ..... **14-03**

FIG. 1 is a perspective view of a television receiver showing our new design;

(52) **U.S. Cl.**

FIG. 2 is a front view thereof;

USPC ..... **D14/126**

FIG. 3 is a rear view thereof;

(58) **Field of Classification Search**

FIG. 4 is a left side view thereof where the right side view is a mirror image;

USPC ..... D14/125–134, 239, 371, 136, 374–377, D14/440, 450, 448, 336, 342, 159; 312/7.2; 348/836, 838, 180, 184, 325, 739; 341/12; 248/917–924, 465; 345/104, 345/133, 156, 168, 87, 173; 720/605, 669, 720/600, 655; 369/99, 197; D21/329, 515, D21/577, 622, 333, 433, 448, 452, 450, 331, D21/505; D6/477, 479, 300; 273/148 B; 446/484, 175, 356; D10/15, 26

FIG. 5 is a top plan view thereof;

FIG. 6 is a bottom plan view thereof;

FIG. 7 is a perspective view thereof during operation;

FIG. 8 is a front view of FIG. 7; and,

FIG. 9 is an enlarged view taken along line 1-1', 2-2', 3-3' and 4-4'.

The broken lines are for illustrative purposes only and form no part of the claimed design.

See application file for complete search history.

**1 Claim, 8 Drawing Sheets**

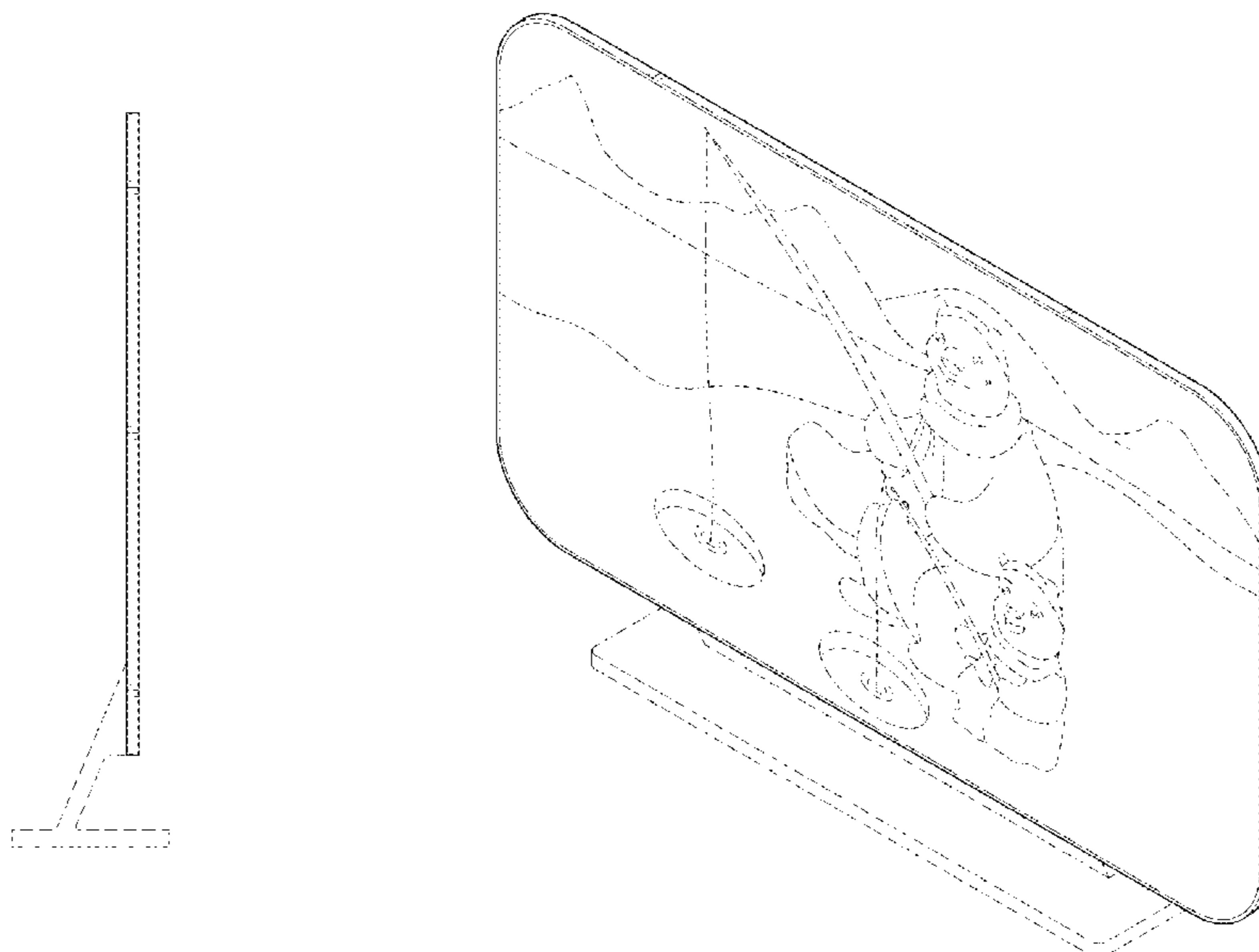


FIG. 1

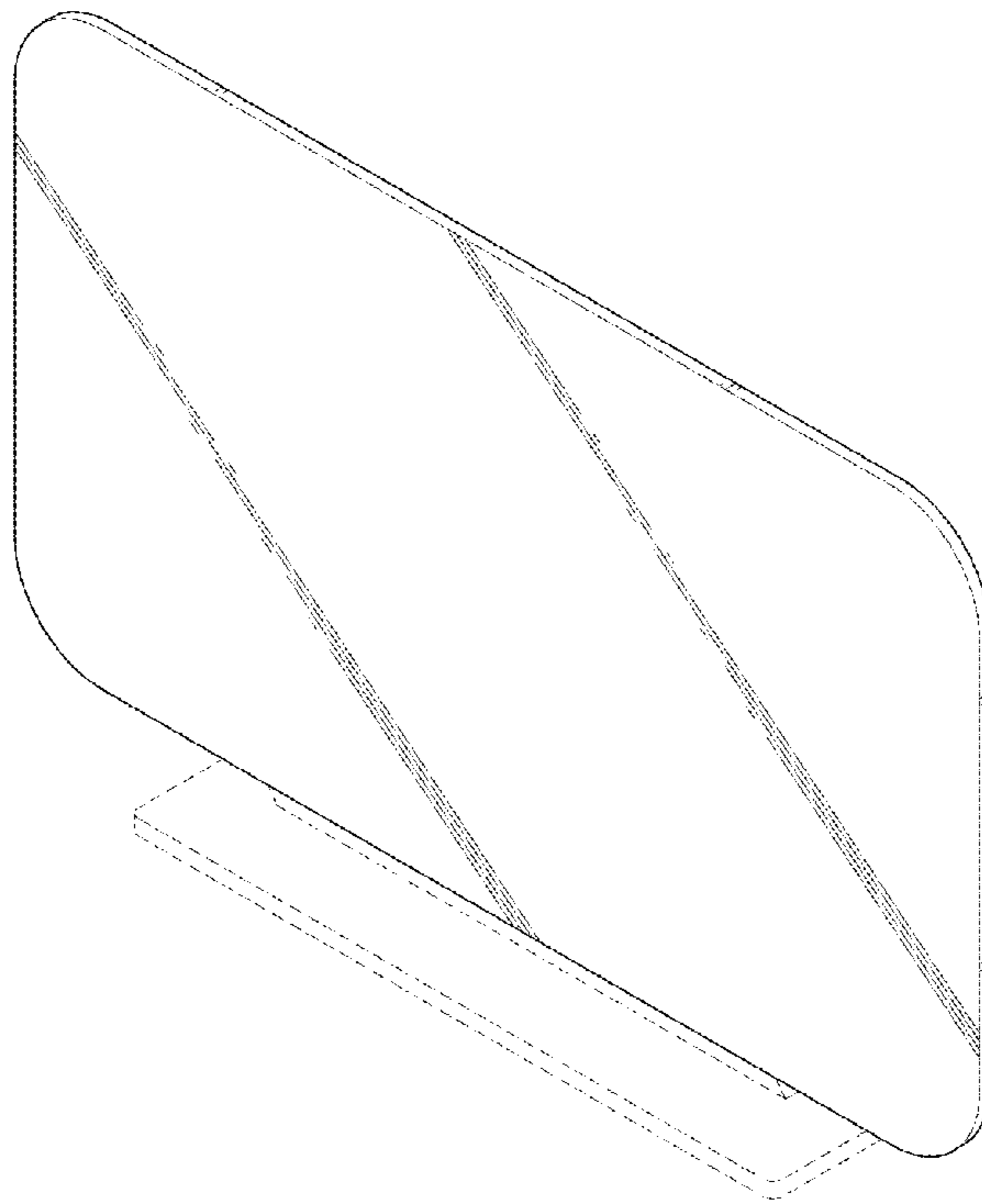


FIG. 2

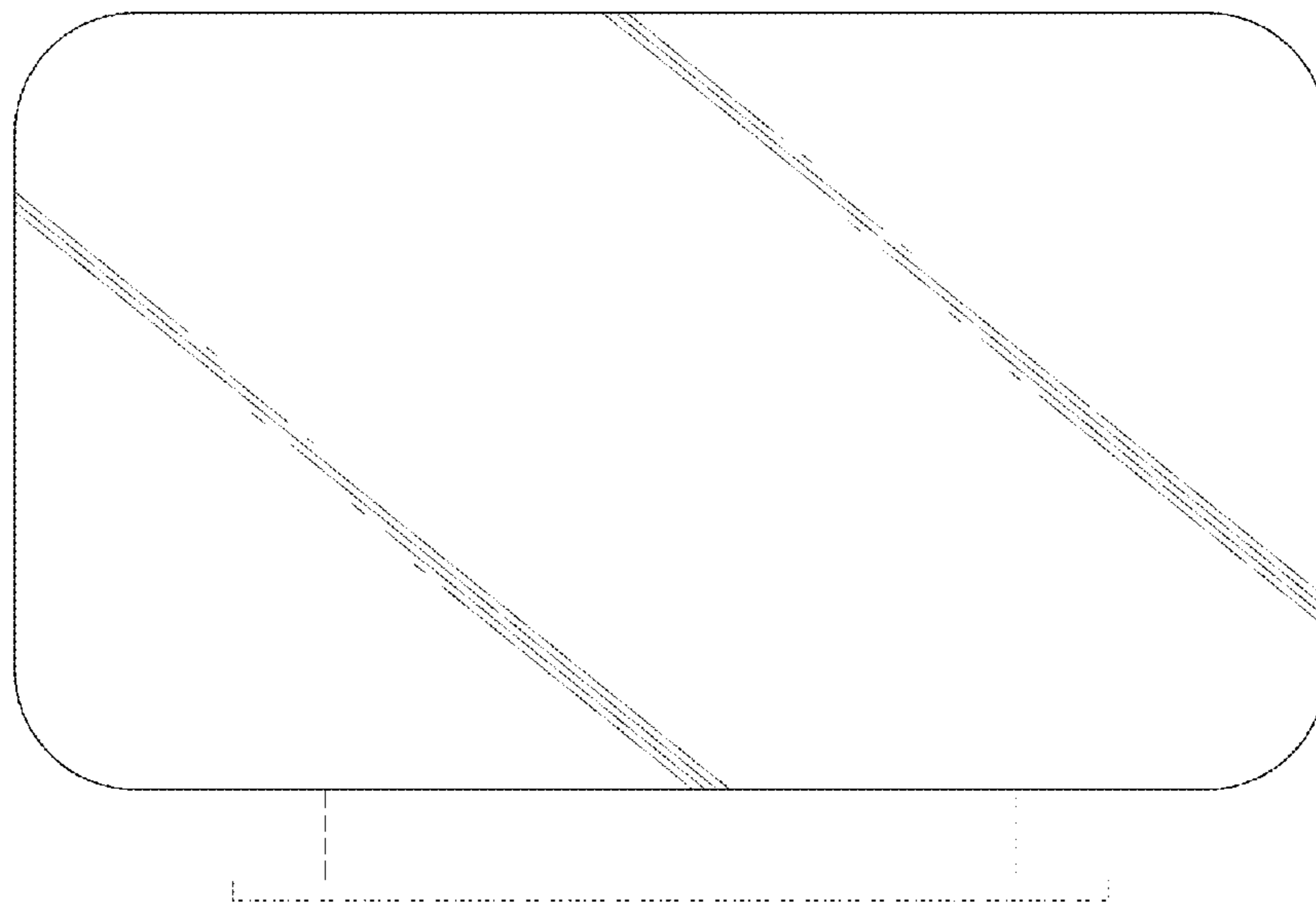


FIG. 3

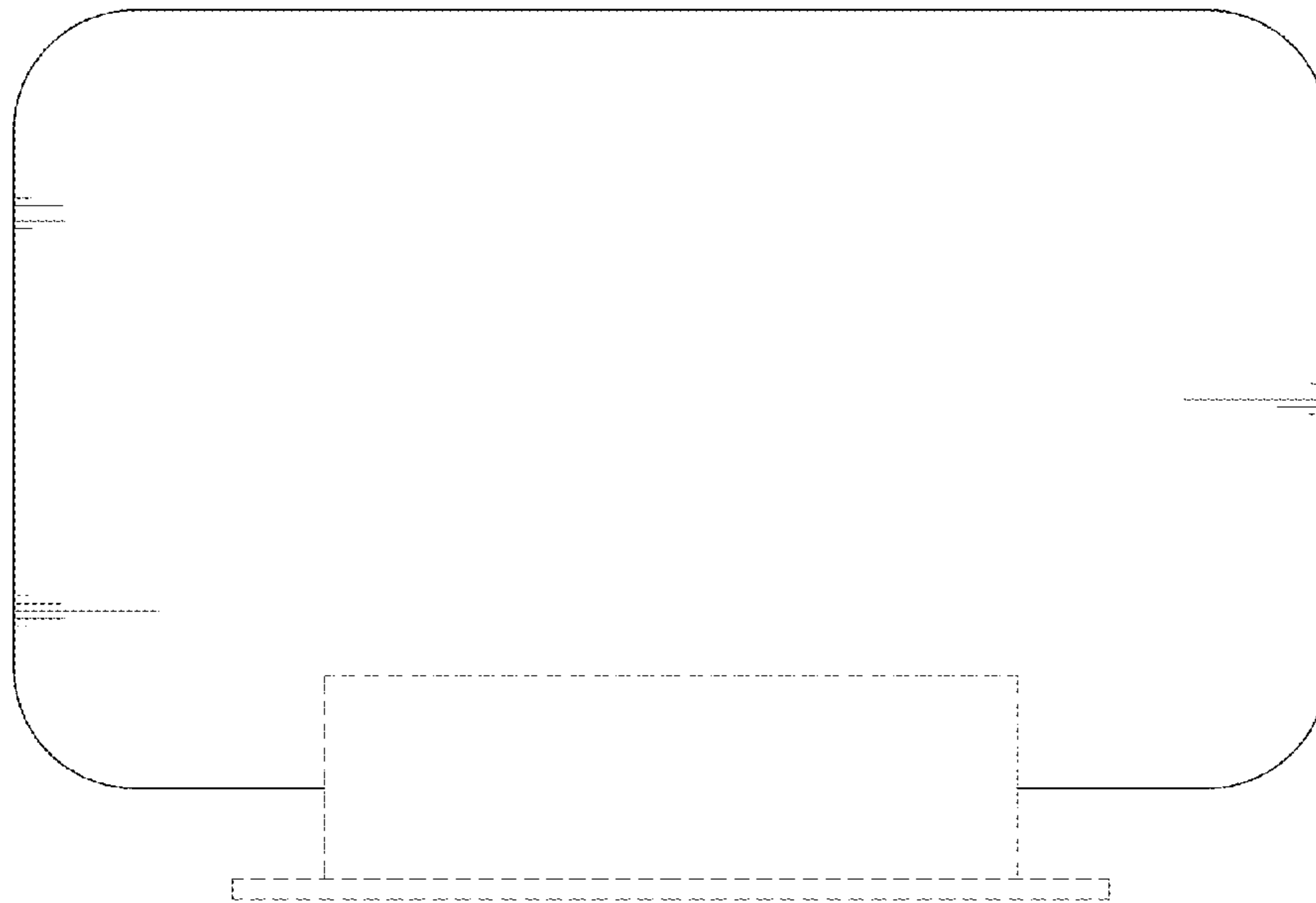


FIG. 4

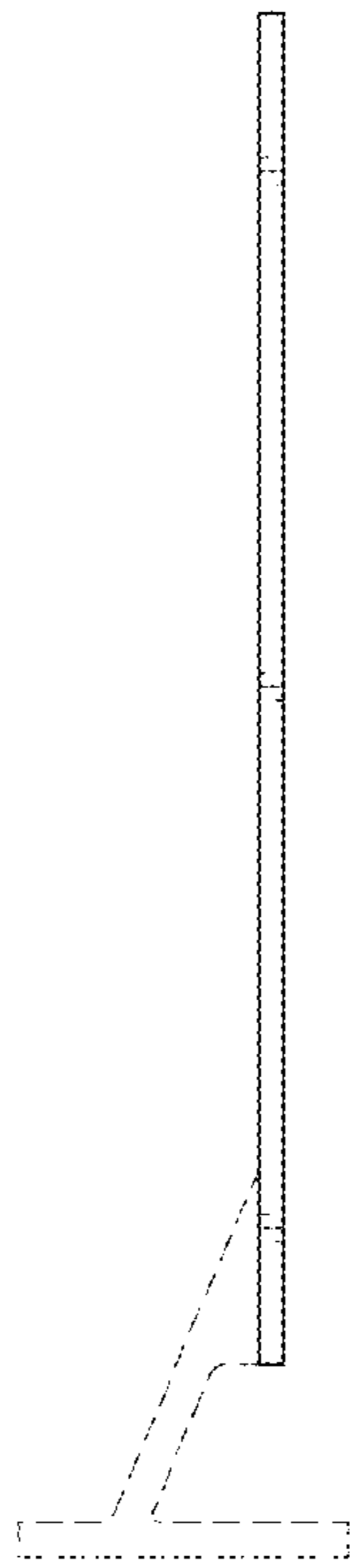


FIG. 5

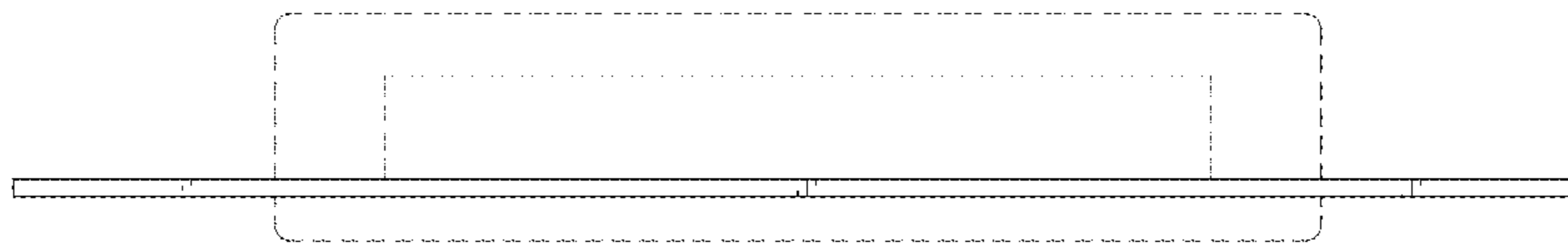


FIG. 6



FIG. 7

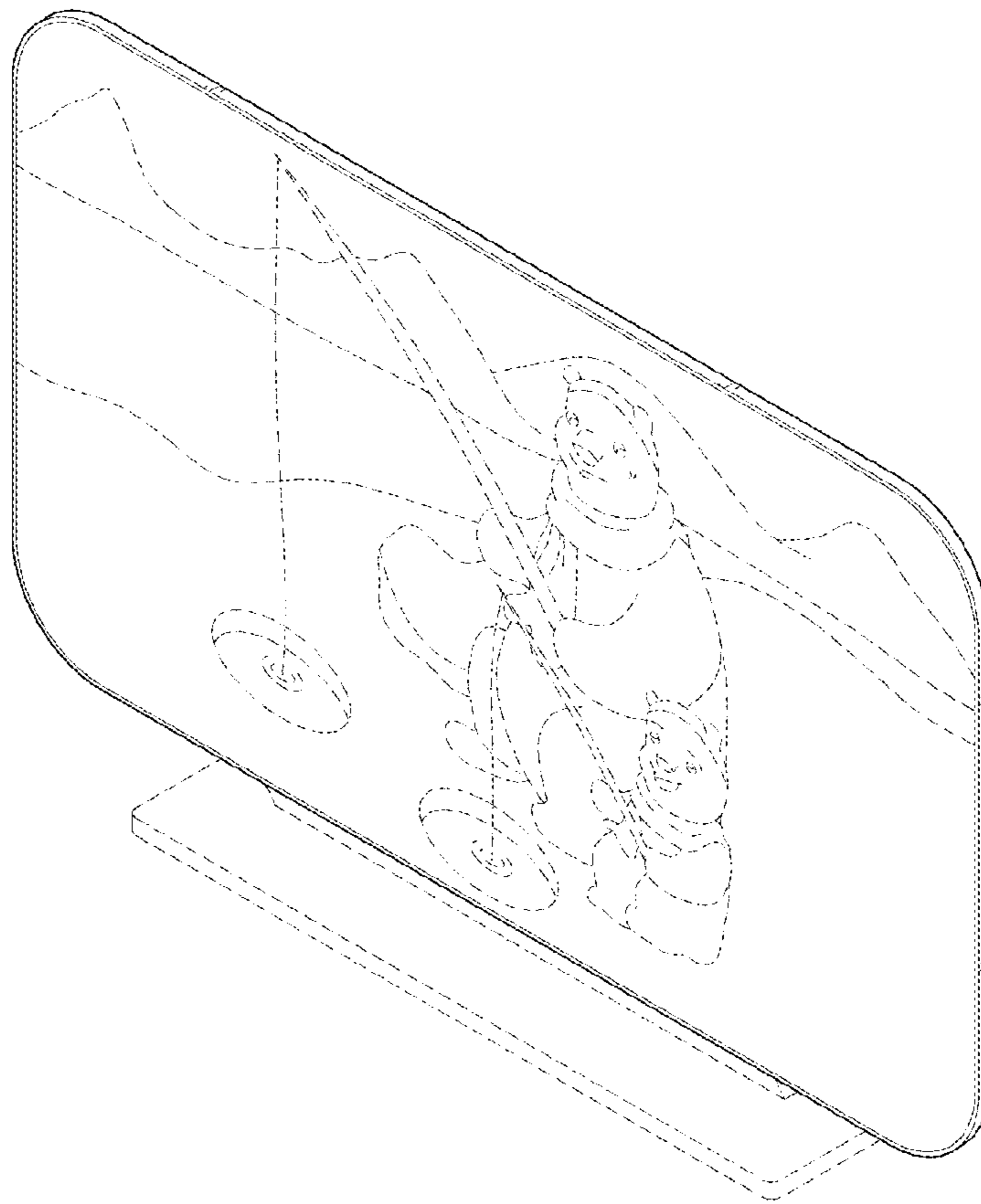


FIG. 8

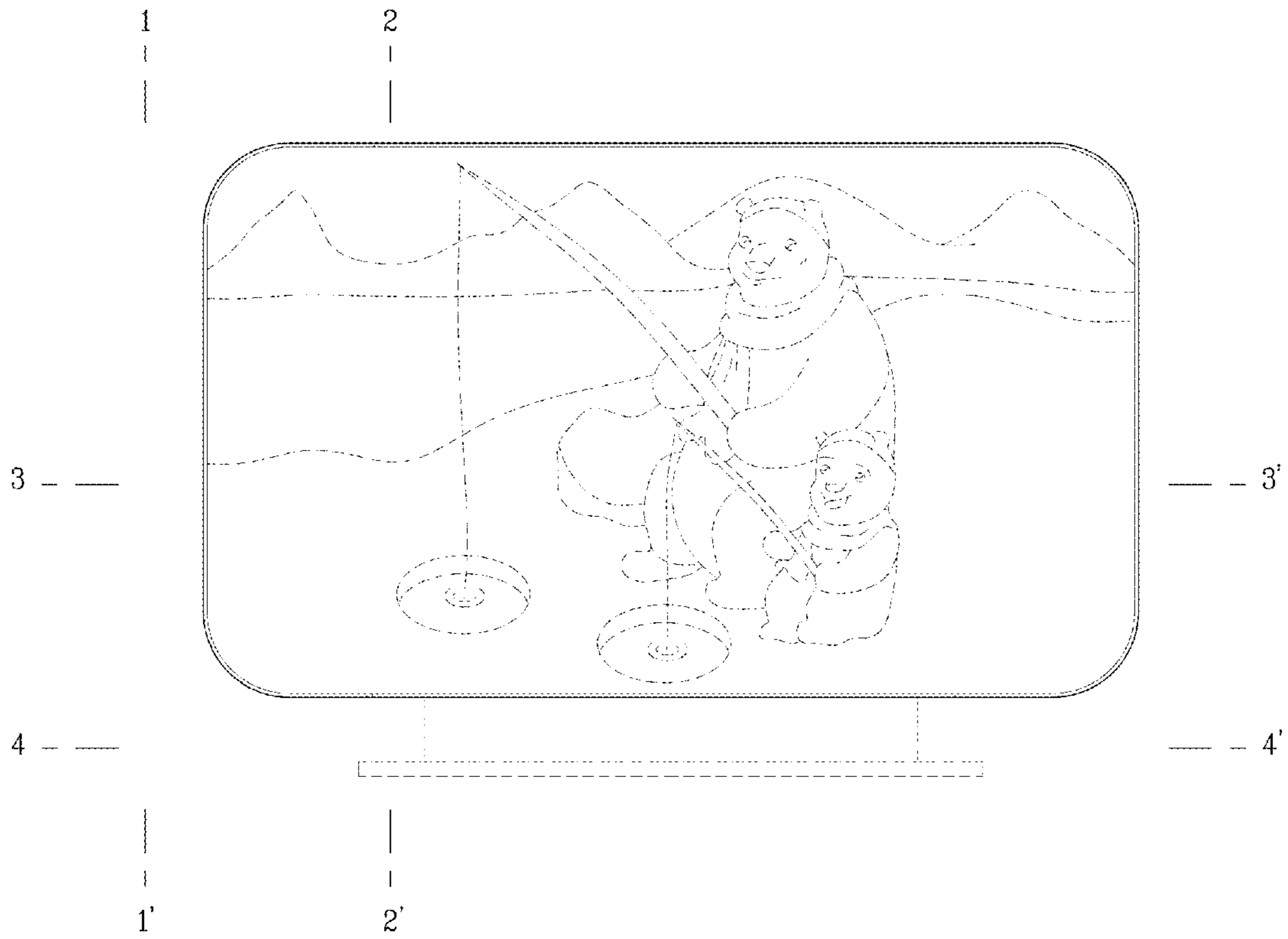




FIG. 9

