



US00D701844S

(12) **United States Design Patent**
Han

(10) **Patent No.:** **US D701,844 S**

(45) **Date of Patent:** **** Apr. 1, 2014**

(54) **TELEVISION RECEIVER**

(56) **References Cited**

(71) Applicant: **Samsung Electronics Co., Ltd.**,
Suwon-si (KR)

U.S. PATENT DOCUMENTS

(72) Inventor: **Kyu-Mi Han**, Seoul (KR)

| | | | | | | |
|----------|---|---|---------|-------------|-------|---------|
| D655,266 | S | * | 3/2012 | Kim | | D14/126 |
| D674,763 | S | * | 1/2013 | Kim et al. | | D14/126 |
| D680,982 | S | * | 4/2013 | Lee et al. | | D14/126 |
| D682,232 | S | * | 5/2013 | Lee et al. | | D14/126 |
| D683,710 | S | * | 6/2013 | Jeon et al. | | D14/126 |
| D686,585 | S | * | 7/2013 | Yoon et al. | | D14/126 |
| D691,977 | S | * | 10/2013 | Lee et al. | | D14/126 |

(73) Assignee: **Samsung Electronics Co., Ltd.**,
Suwon-si (KR)

(**) Term: **14 Years**

* cited by examiner

(21) Appl. No.: **29/450,519**

Primary Examiner — Raphael Barkai

(22) Filed: **Mar. 19, 2013**

(74) *Attorney, Agent, or Firm* — NSIP Law

(30) **Foreign Application Priority Data**

(57) **CLAIM**

The ornamental design for a television receiver, as shown and described.

Oct. 23, 2012 (KR) 30-2012-0050380

(51) **LOC (10) Cl.** **14-03**

DESCRIPTION

(52) **U.S. Cl.**
USPC **D14/126**

(58) **Field of Classification Search**
USPC D14/125-134, 239, 371, 136, 374-377,
D14/440, 450, 448, 336, 342, 159; 312/7.2;
348/836, 838, 180, 184, 325, 739;
341/12; 248/917-924, 465; 345/104,
345/133, 156, 168, 87, 173; 720/605, 669,
720/600, 655; 369/99, 197; D21/329, 515,
D21/577, 622, 333, 433, 448, 452, 450, 331,
D21/505; D6/477, 479, 300; 273/148 B;
446/484, 175, 356; D10/15, 26

FIG. 1 is a front perspective view of a television receiver;
FIG. 2 is a front view of the television receiver of FIG. 1;
FIG. 3 is a rear view of the television receiver of FIG. 1;
FIG. 4 is a left-side view of the television receiver of FIG. 1;
FIG. 5 is a right-side view of the television receiver of FIG. 1;
FIG. 6 is a top plan view of the television receiver of FIG. 1;
and,
FIG. 7 is a bottom plan view of the television receiver of FIG. 1.

Features shown in broken lines in FIGS. 1, 2, 3, 4, 5, 6, and 7, form no part of the claimed design.

See application file for complete search history.

1 Claim, 5 Drawing Sheets

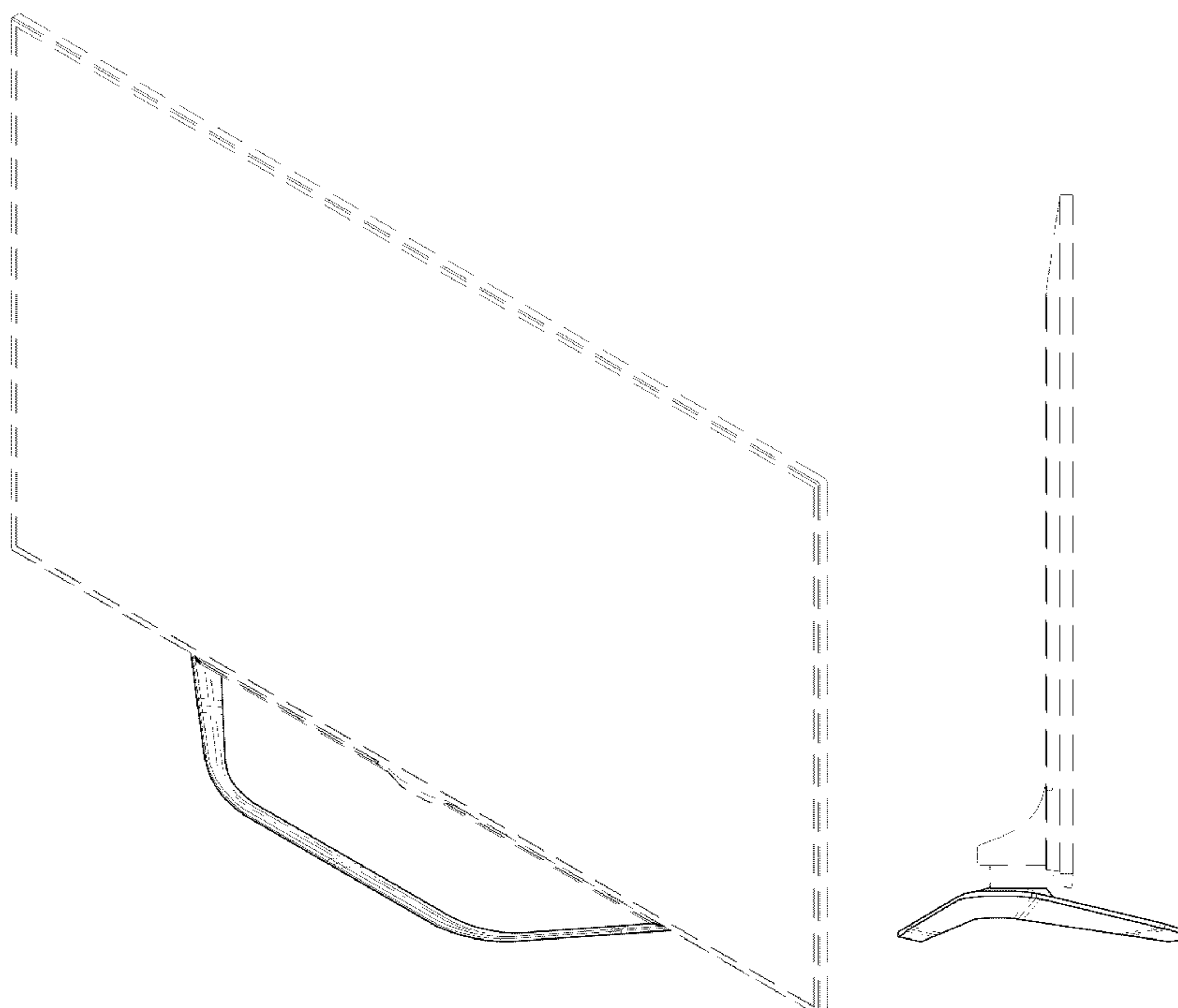


FIG. 1

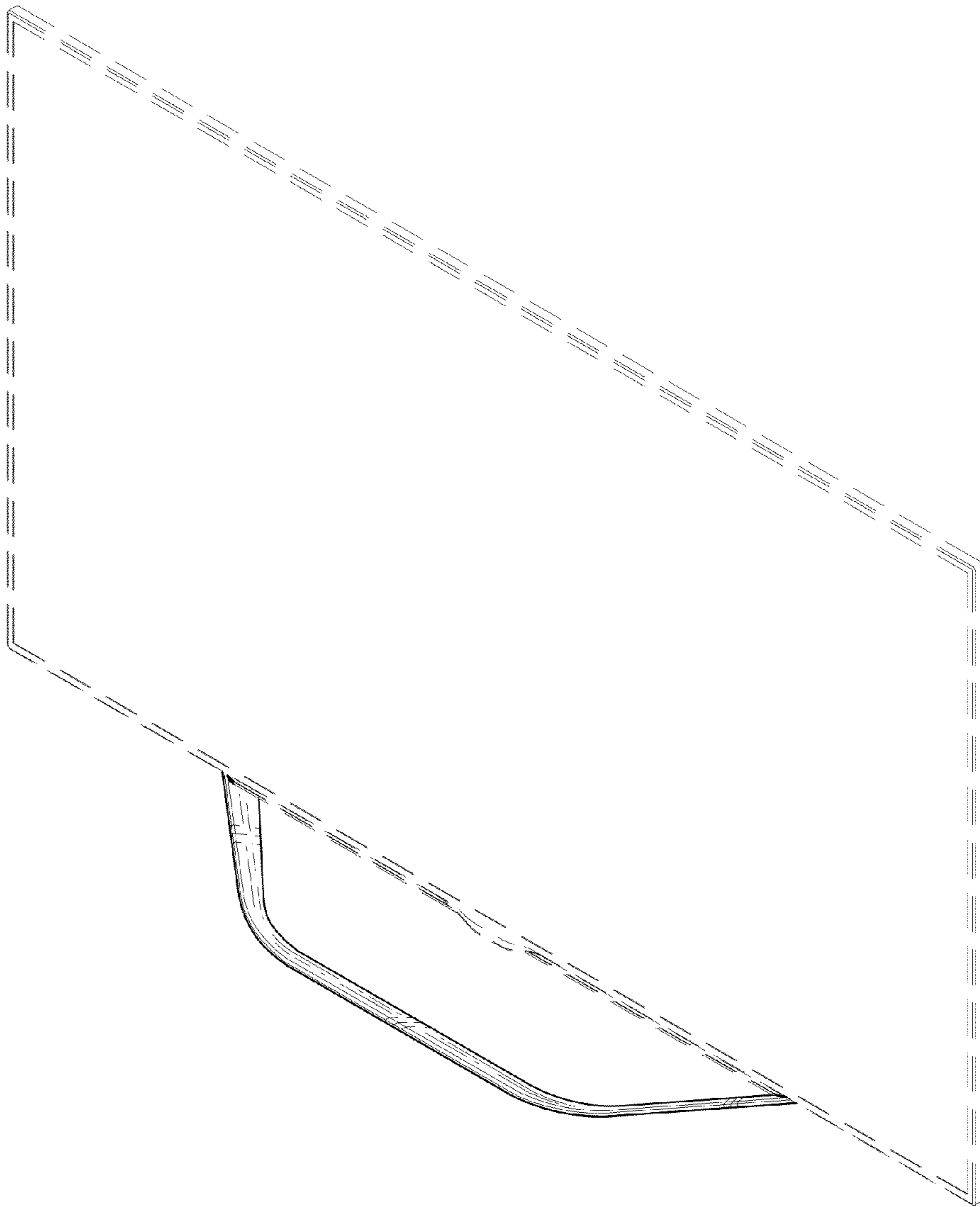


FIG. 2

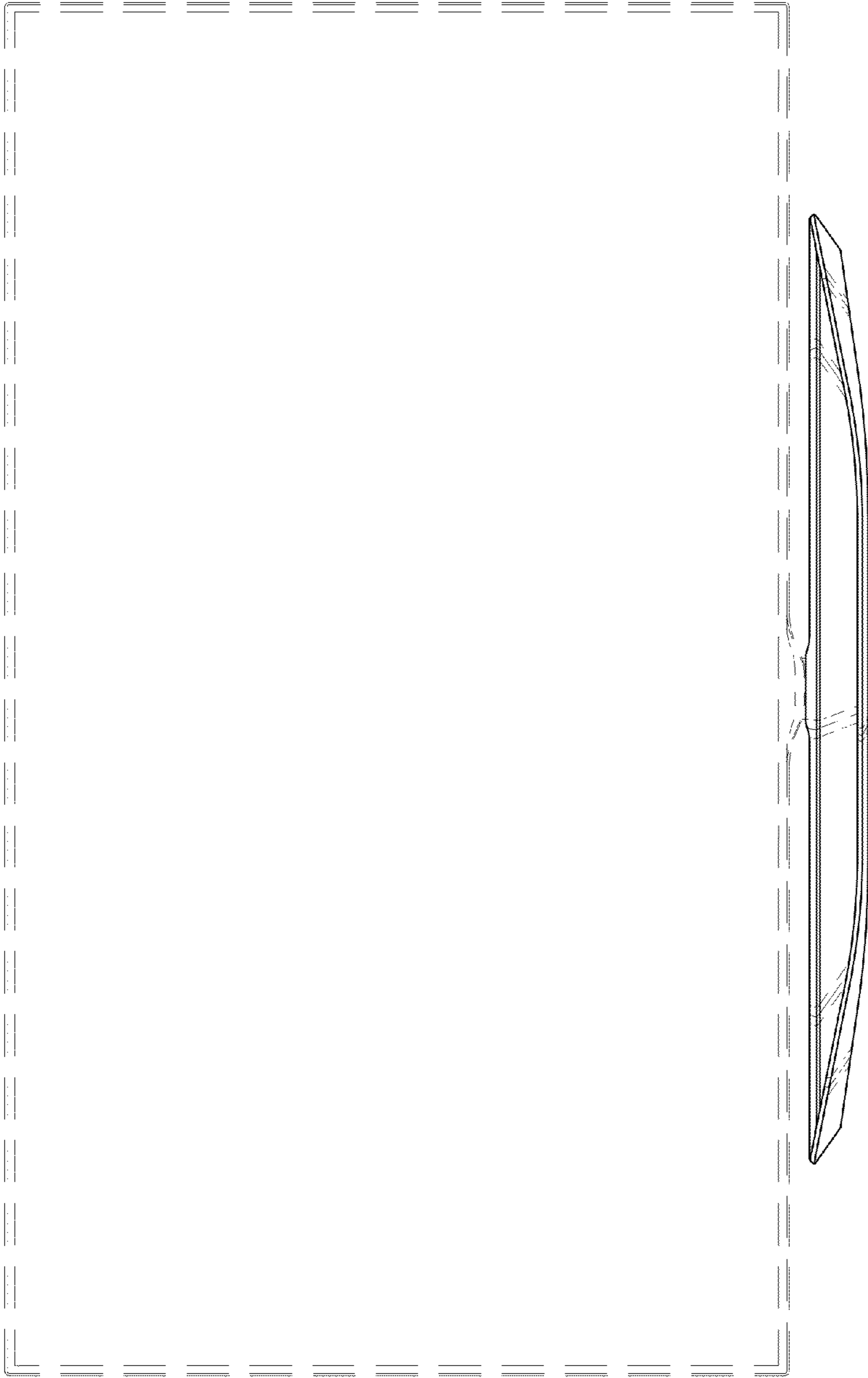


FIG. 3

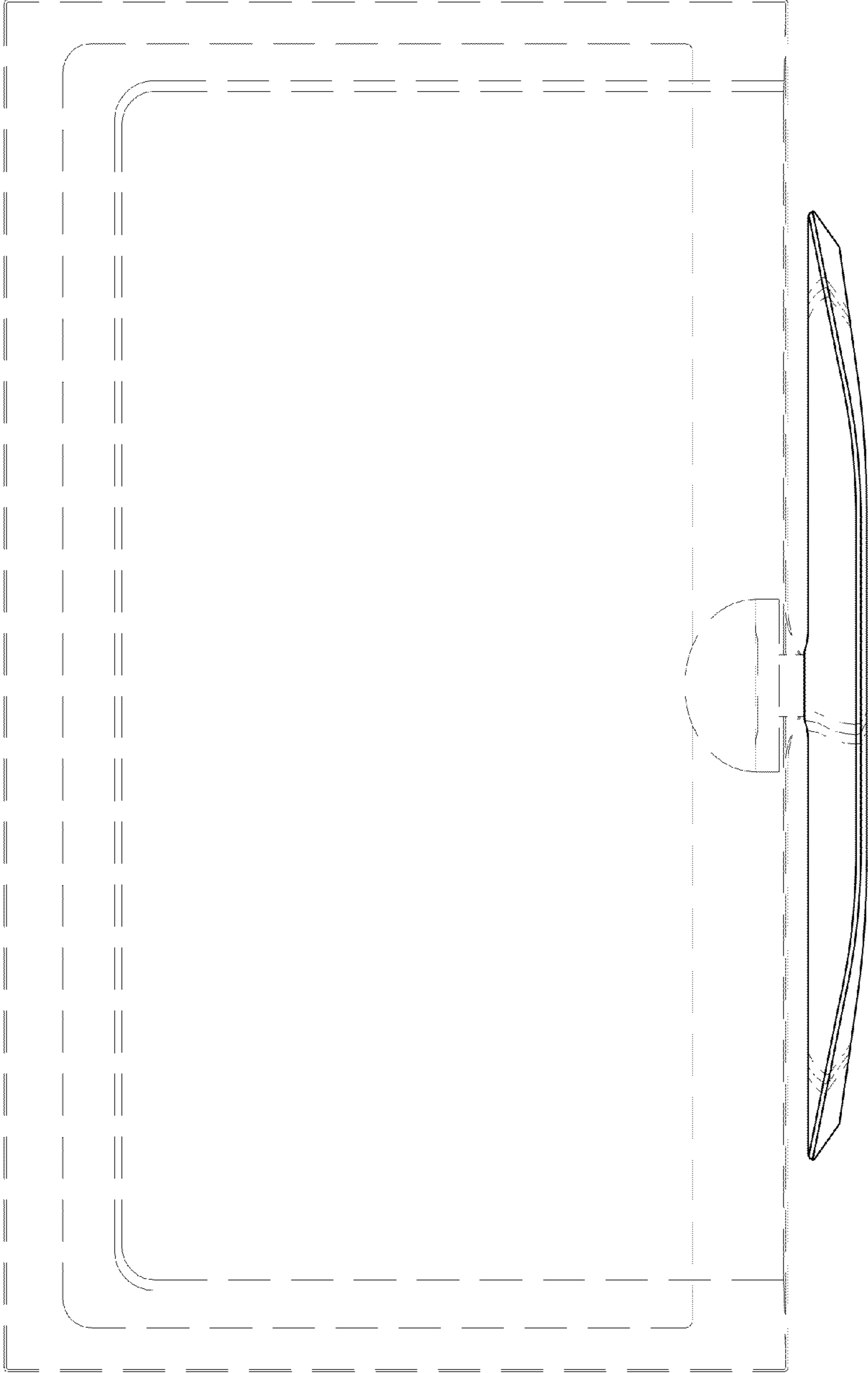


FIG. 5

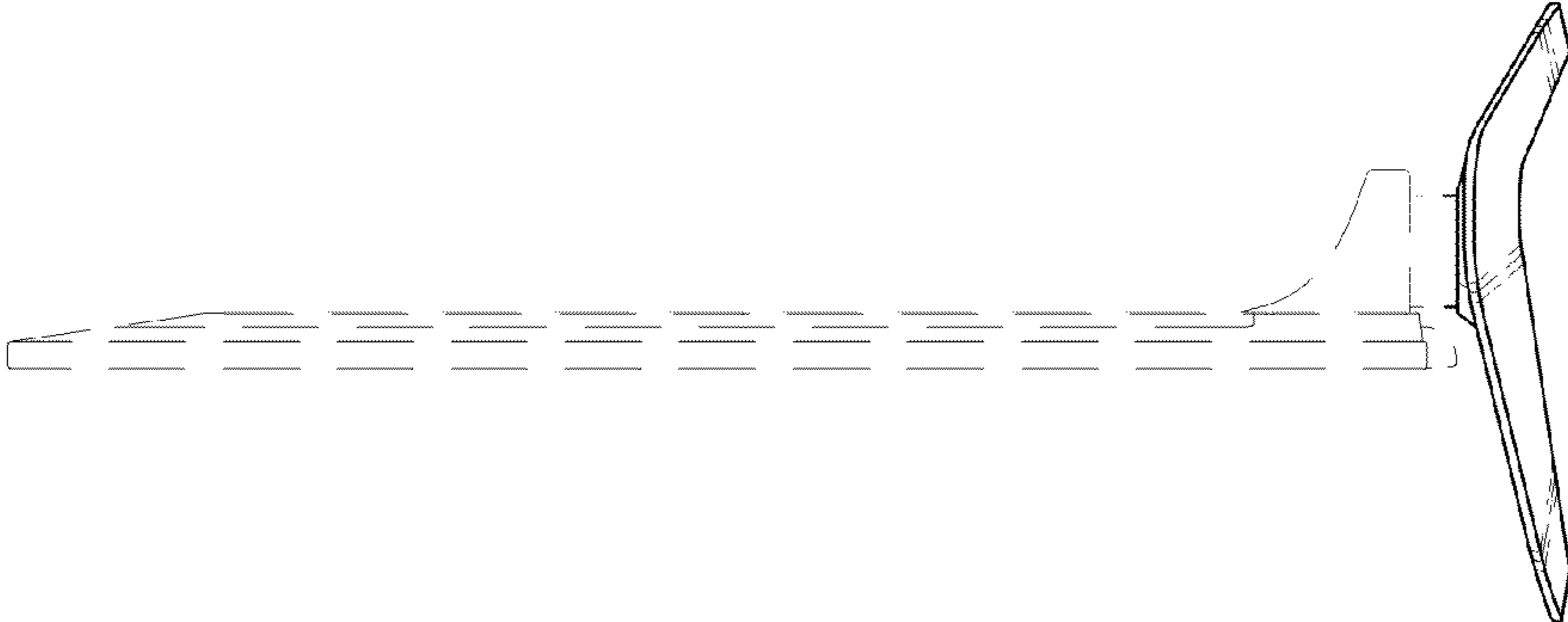


FIG. 4

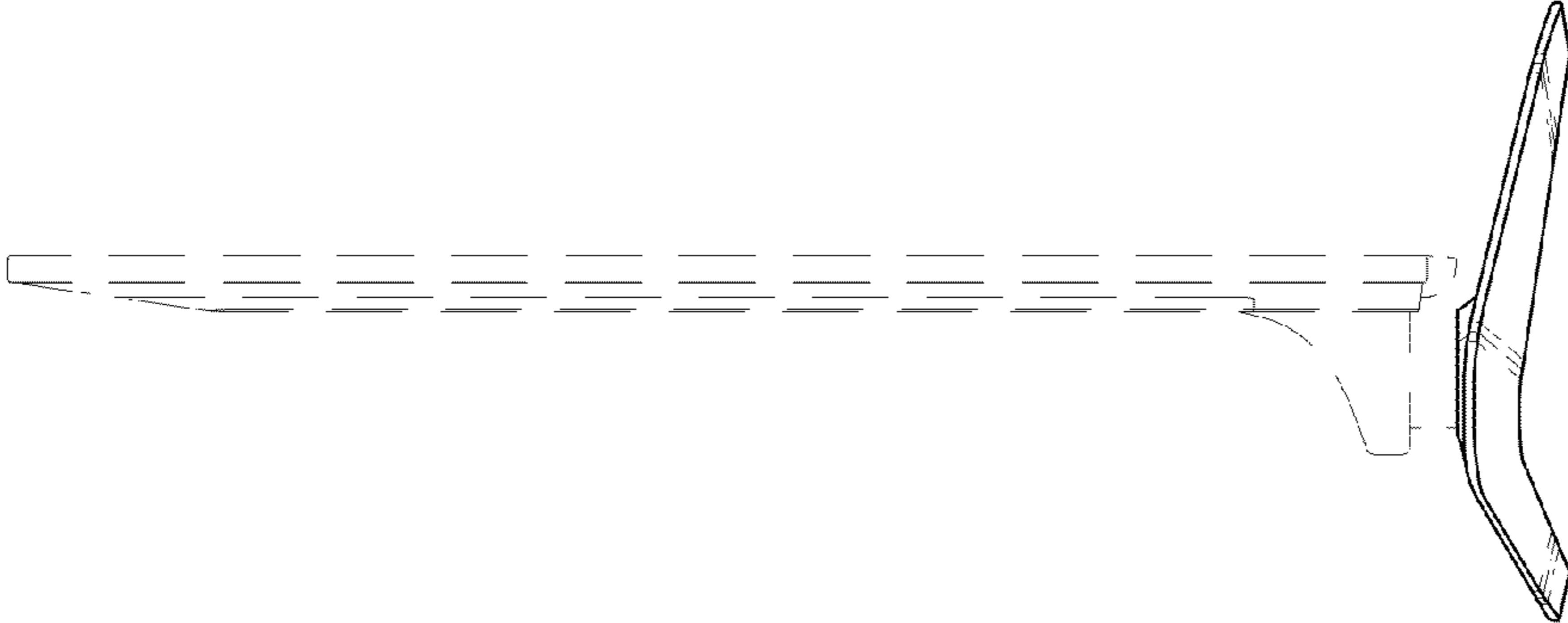


FIG. 6

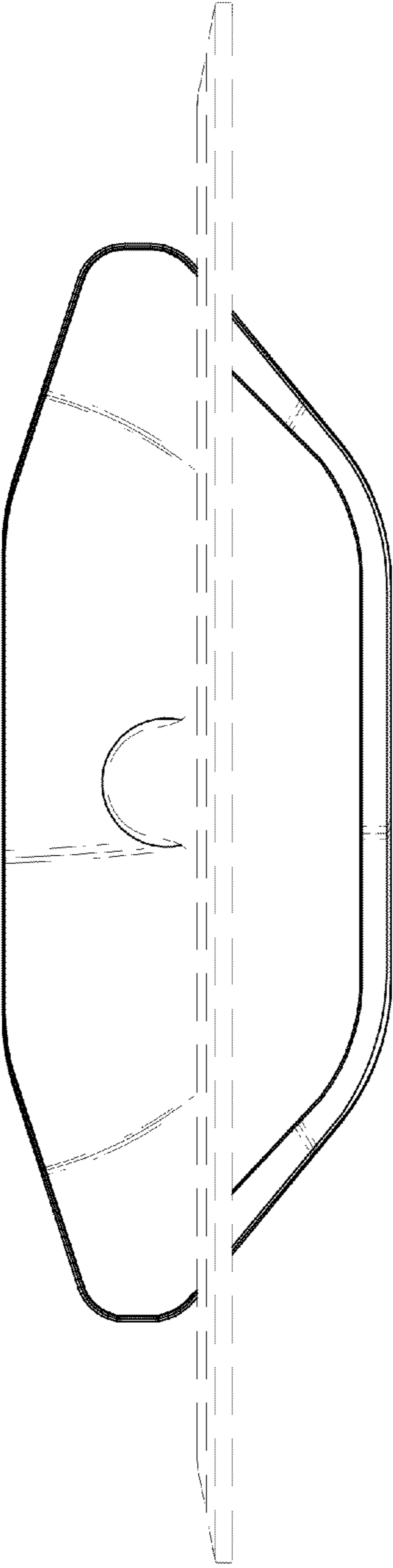


FIG. 7

