



US00D701840S

(12) **United States Design Patent**
Kazakia

(10) **Patent No.:** **US D701,840 S**
(45) **Date of Patent:** **** Apr. 1, 2014**

(54) **FLEXIBLE CONNECTOR**

(71) Applicant: **Christina Kazakia**, Philadelphia, PA
(US)

(72) Inventor: **Christina Kazakia**, Philadelphia, PA
(US)

(**) Term: **14 Years**

(21) Appl. No.: **29/462,264**

(22) Filed: **Aug. 1, 2013**

Related U.S. Application Data

(62) Division of application No. 29/412,109, filed on Jan. 31, 2012, now Pat. No. Des. 687,384.

(51) **LOC (10) Cl.** **13-03**

(52) **U.S. Cl.**
USPC **D13/155**

(58) **Field of Classification Search**

USPC D13/133, 139.2, 146, 148, 149, 150,
D13/151, 154, 155, 157, 173, 174, 175, 177,
D13/184, 199; 439/1, 9, 7, 21, 277-282,
439/294, 299; D8/333, 339, 396, 398, 349,
D8/352, 354, 355, 356, 382; 277/594, 602

See application file for complete search history.

(56) **References Cited**

U.S. PATENT DOCUMENTS

3,477,285	A *	11/1969	Bird et al.	73/767
D227,342	S *	6/1973	Buckman	D8/355
D272,392	S *	1/1984	Bigelow	D8/354
4,611,873	A *	9/1986	Punako et al.	439/277
4,795,166	A *	1/1989	Irmeler	277/314
D397,289	S *	8/1998	Maddux	D8/382
D534,064	S *	12/2006	Gimpel et al.	D8/382
D571,192	S *	6/2008	Stomp et al.	D8/356
D573,947	S *	7/2008	Kishimoto et al.	D13/119
D601,879	S *	10/2009	Kim et al.	D8/356
2003/0030229	A1 *	2/2003	Shaffer	277/602
2007/0246239	A1 *	10/2007	Howe	174/34

* cited by examiner

Primary Examiner — Derrick Holland

Assistant Examiner — Lauren Calve

(74) *Attorney, Agent, or Firm* — Salter & Michaelson

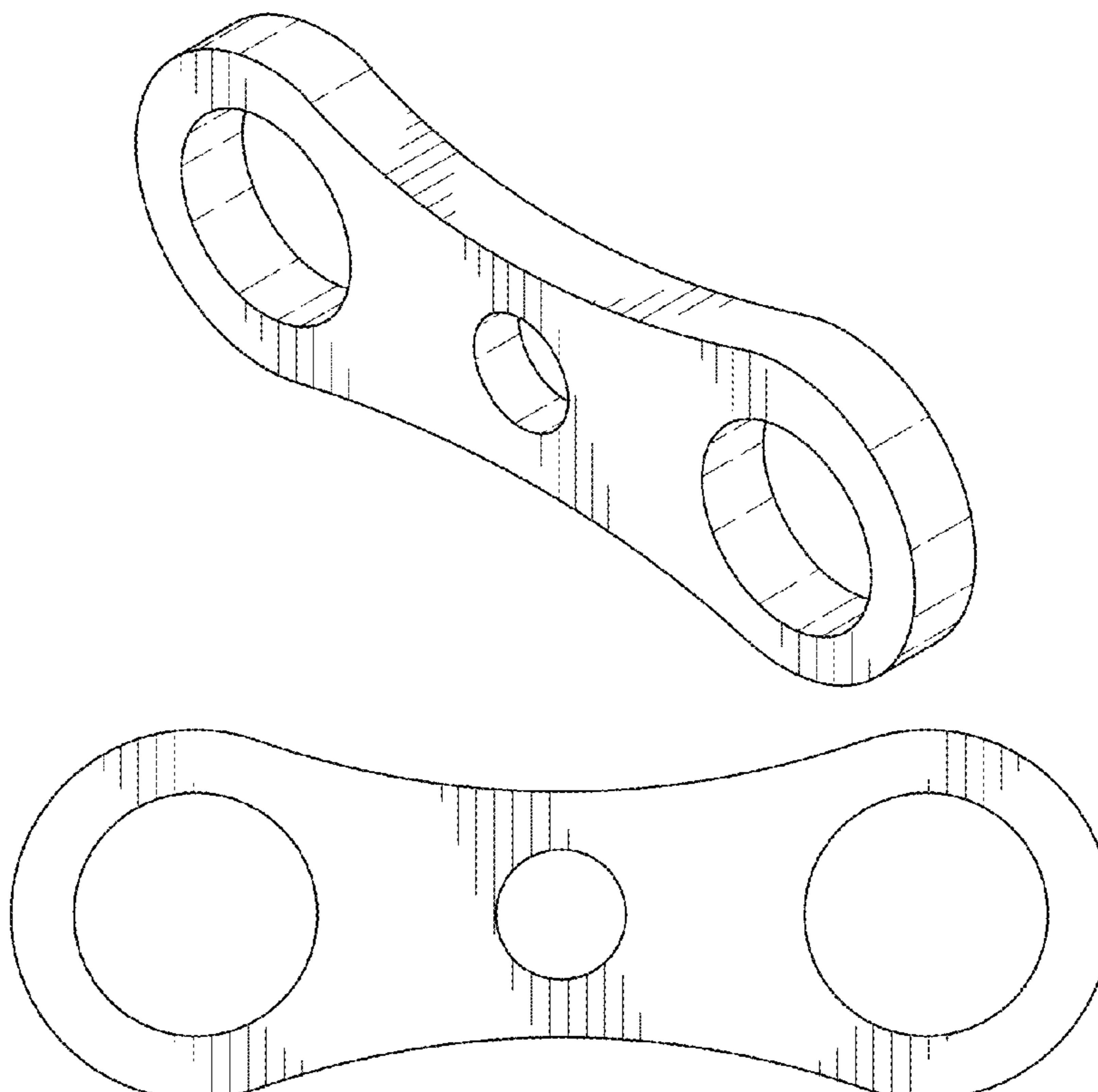
(57) **CLAIM**

The ornamental design for a flexible connector, as shown and described.

DESCRIPTION

FIG. 1 is a perspective view of a flexible connector;
FIG. 2 is a front elevational view thereof; the rear elevational view being a mirror image thereof;
FIG. 3 is a top plan view thereof; the bottom plan view being a mirror image thereof; and,
FIG. 4 is a left side elevational view thereof; the right side elevational view being a mirror image thereof.

1 Claim, 2 Drawing Sheets



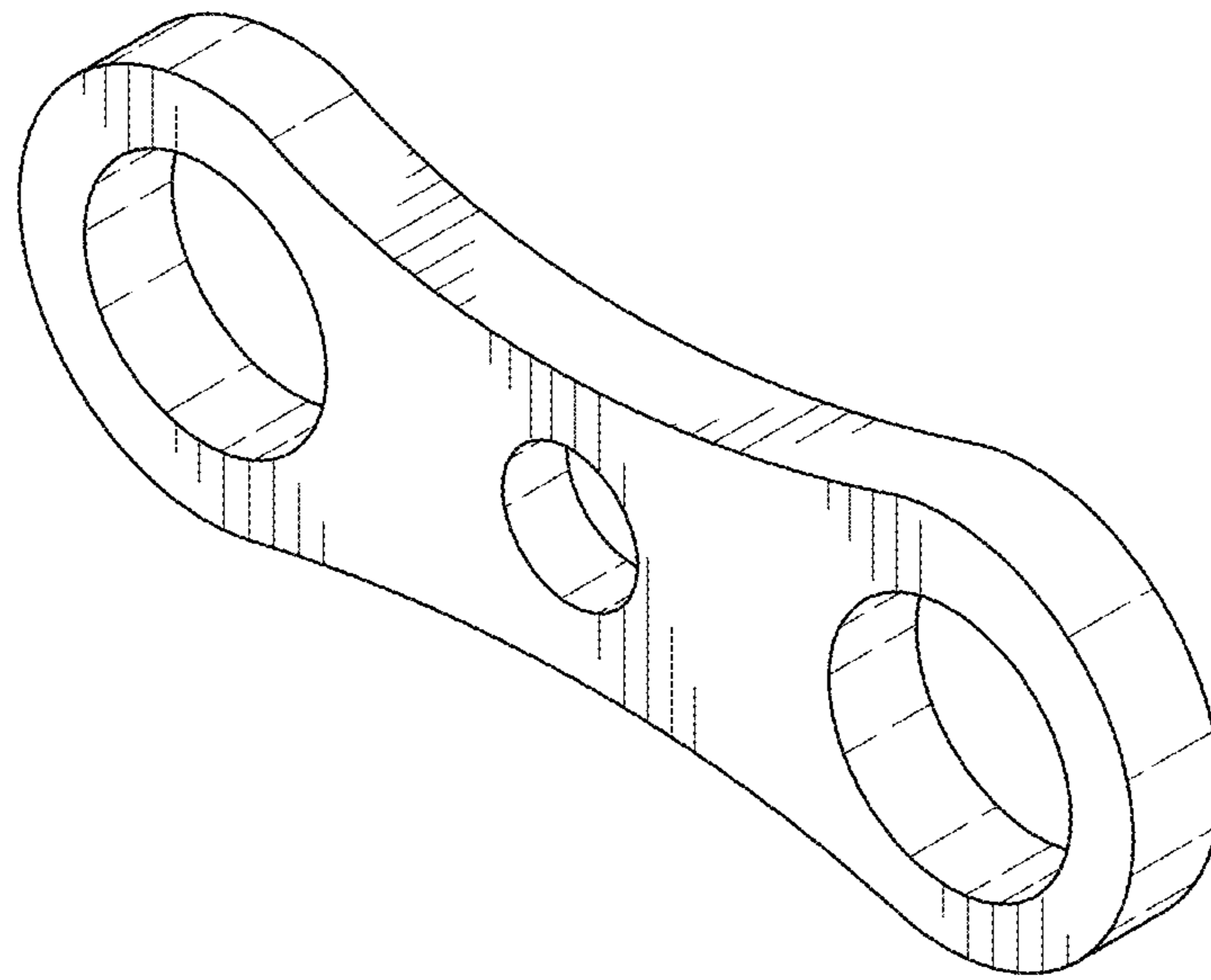


FIG. 1

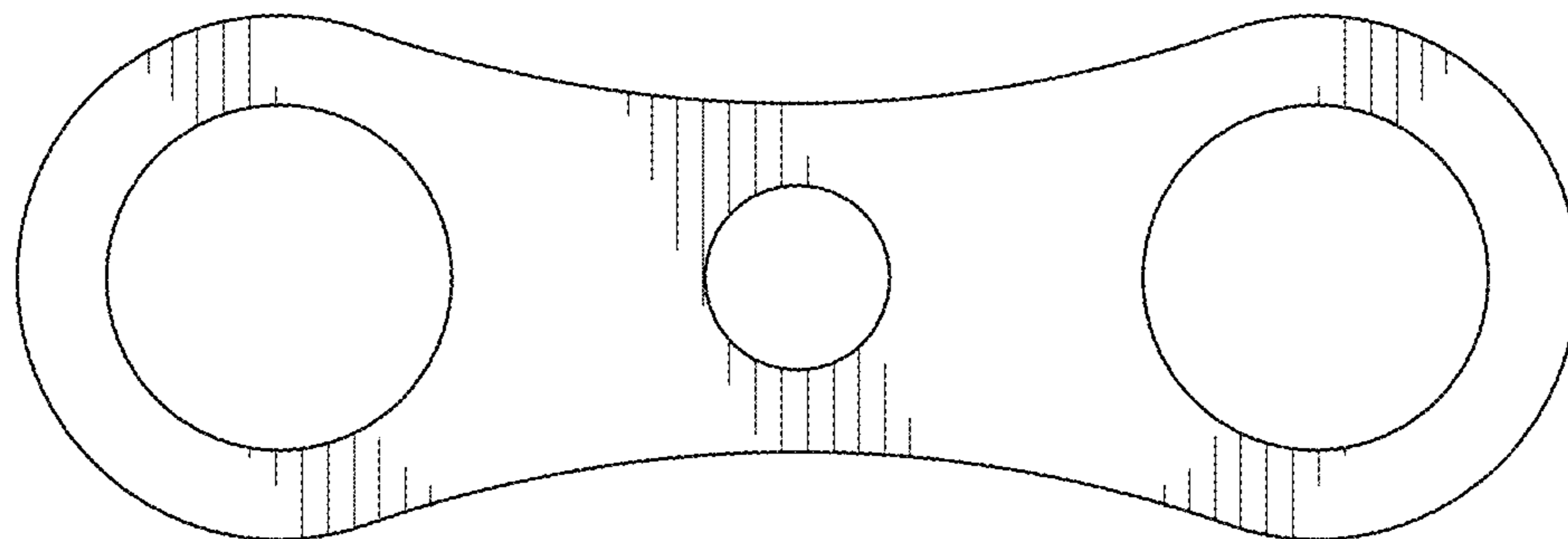


FIG. 2



FIG. 3

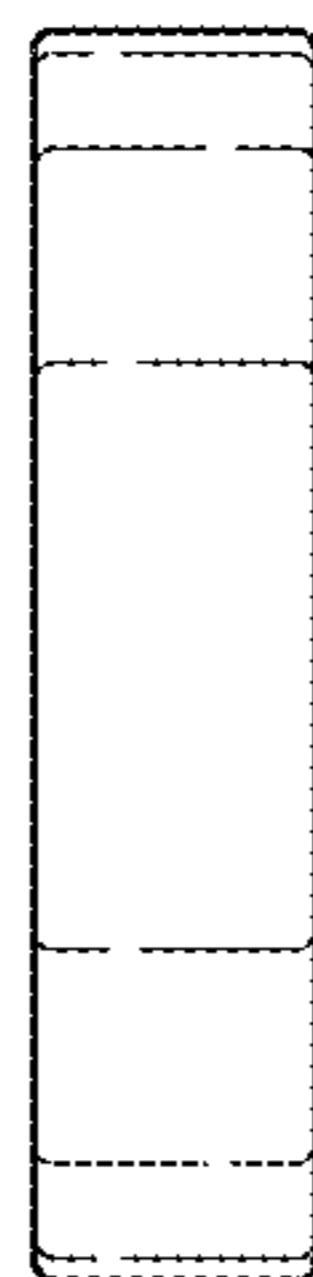


FIG. 4