



US00D701838S

(12) **United States Design Patent**
Esses

(10) **Patent No.:** **US D701,838 S**
(45) **Date of Patent:** **** Apr. 1, 2014**

- (54) **WIRED CHARGER**
- (71) Applicant: **Premier Accessory Group LLC**,
Edison, NJ (US)
- (72) Inventor: **Alfred Esses**, Brooklyn, NY (US)
- (73) Assignee: **Premier Accessory Group LLC**,
Edison, NJ (US)
- (**) Term: **14 Years**
- (21) Appl. No.: **29/475,818**
- (22) Filed: **Dec. 6, 2013**
- (51) **LOC (10) Cl.** **13-03**
- (52) **U.S. Cl.**
USPC **D13/144**; D13/108; D13/110
- (58) **Field of Classification Search**
USPC D13/110, 107, 108, 118, 119, 123, 133,
D13/137.1, 184, 199; D14/242, 251, 432,
D14/433, 434; 174/53, 54, 59, 61; 307/11,
307/150, 151; 320/107, 111, 112, 113, 114,
320/115; 361/679.01; 363/142, 146;
439/131, 172, 626, 628, 638
See application file for complete search history.

D625,267 S	10/2010	Tseng et al.	
D632,653 S	2/2011	Wikel et al.	
D654,875 S	2/2012	Au	
D656,465 S	3/2012	Au	
D656,899 S	4/2012	Webb et al.	
D671,491 S *	11/2012	Zaslavsky et al. D13/110
D693,768 S *	11/2013	Alesi et al. D13/110
2005/0227708 A1	10/2005	Peng	

FOREIGN PATENT DOCUMENTS

DE	19970710	7/1997
FR	20102324	4/2010
GB	2060913	4/1997
GB	2074524	8/1998
HK	110597.8M004	4/2001
KR	20050005420	2/2005
KR	20060022147	6/2006
NL	3906202	1/2012

* cited by examiner

Primary Examiner — Derrick Holland
(74) *Attorney, Agent, or Firm* — Gottlieb, Rackman & Reisman, P.C.

(57) **CLAIM**
The ornamental design for a wired charger, as shown and described.

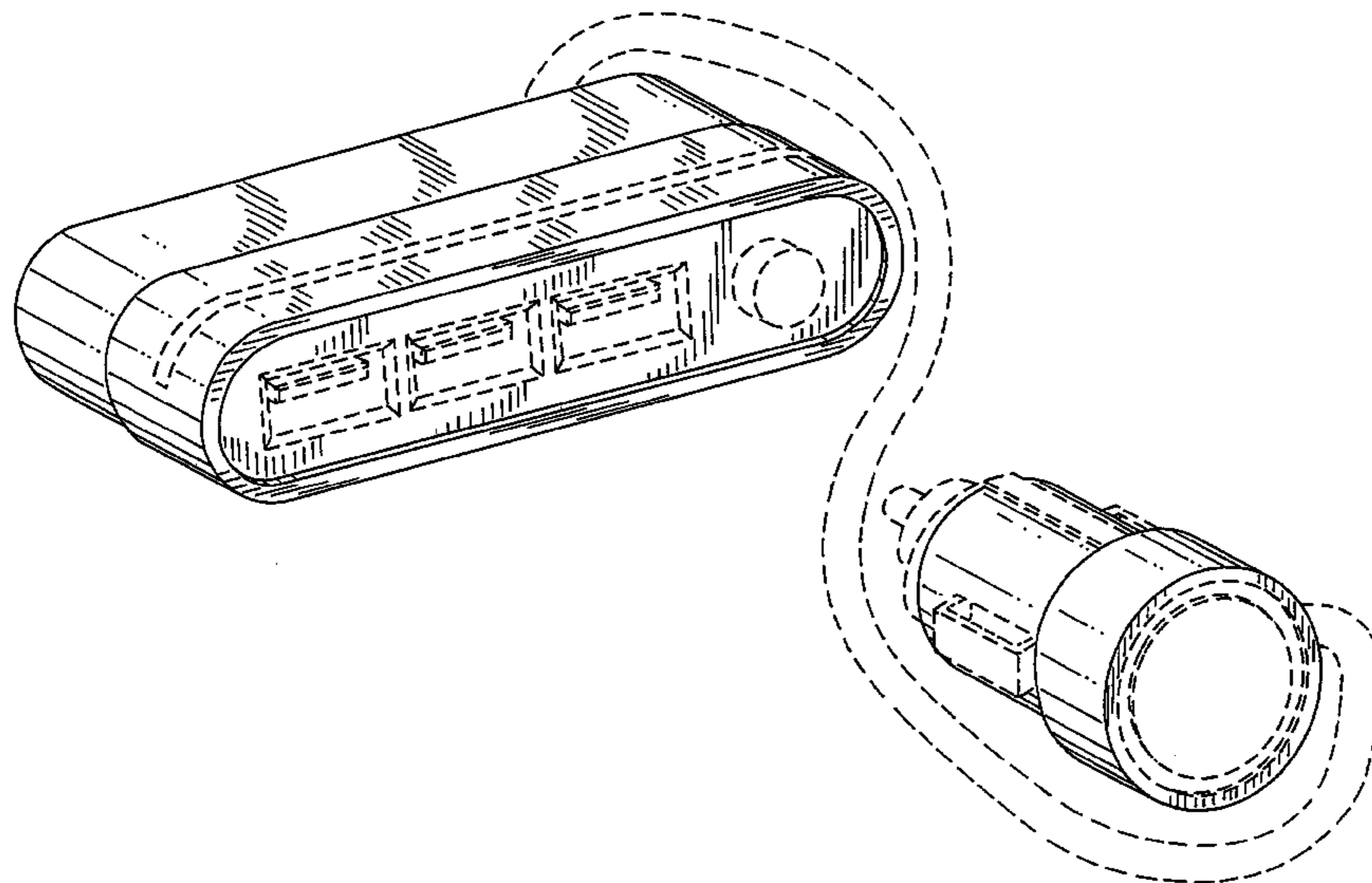
DESCRIPTION

FIG. 1 is a front, top, right side perspective view of a wired charger having the design of my invention;
FIG. 2 is a top plan view thereof;
FIG. 3 is a front side elevation view thereof;
FIG. 4 is a right side elevation view thereof;
FIG. 5 is a rear elevation view thereof;
FIG. 6 is a left side elevation view thereof; and,
FIG. 7 is a bottom plan view thereof.
The broken lines shown represent unclaimed subject matter and form no part of the claimed design.

1 Claim, 5 Drawing Sheets

(56) **References Cited**
U.S. PATENT DOCUMENTS

D400,176 S	10/1998	Jones	
D400,177 S	10/1998	Jones	
D409,568 S	5/1999	Lindahl	
D484,853 S *	1/2004	Alviar D13/110
D490,058 S	5/2004	Mkhitarian	
D503,679 S *	4/2005	Andre et al. D13/110
D544,438 S *	6/2007	Hussaini et al. D13/110
D558,143 S *	12/2007	Hsu D13/110
D559,848 S *	1/2008	Siu D14/433
D595,224 S *	6/2009	Seil et al. D13/110
D601,500 S *	10/2009	Green et al. D13/110
D624,495 S *	9/2010	Shum et al. D13/110



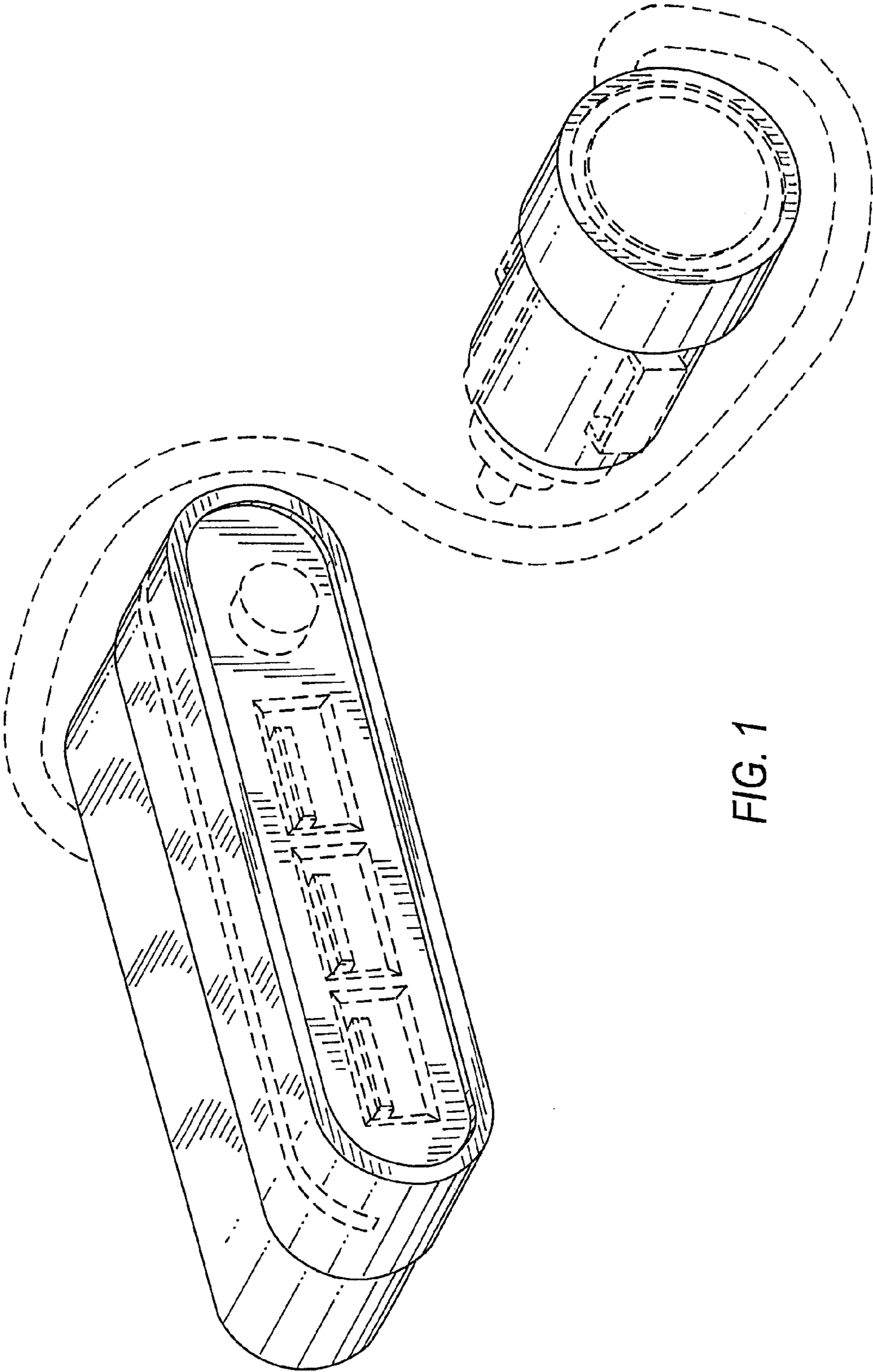


FIG. 1

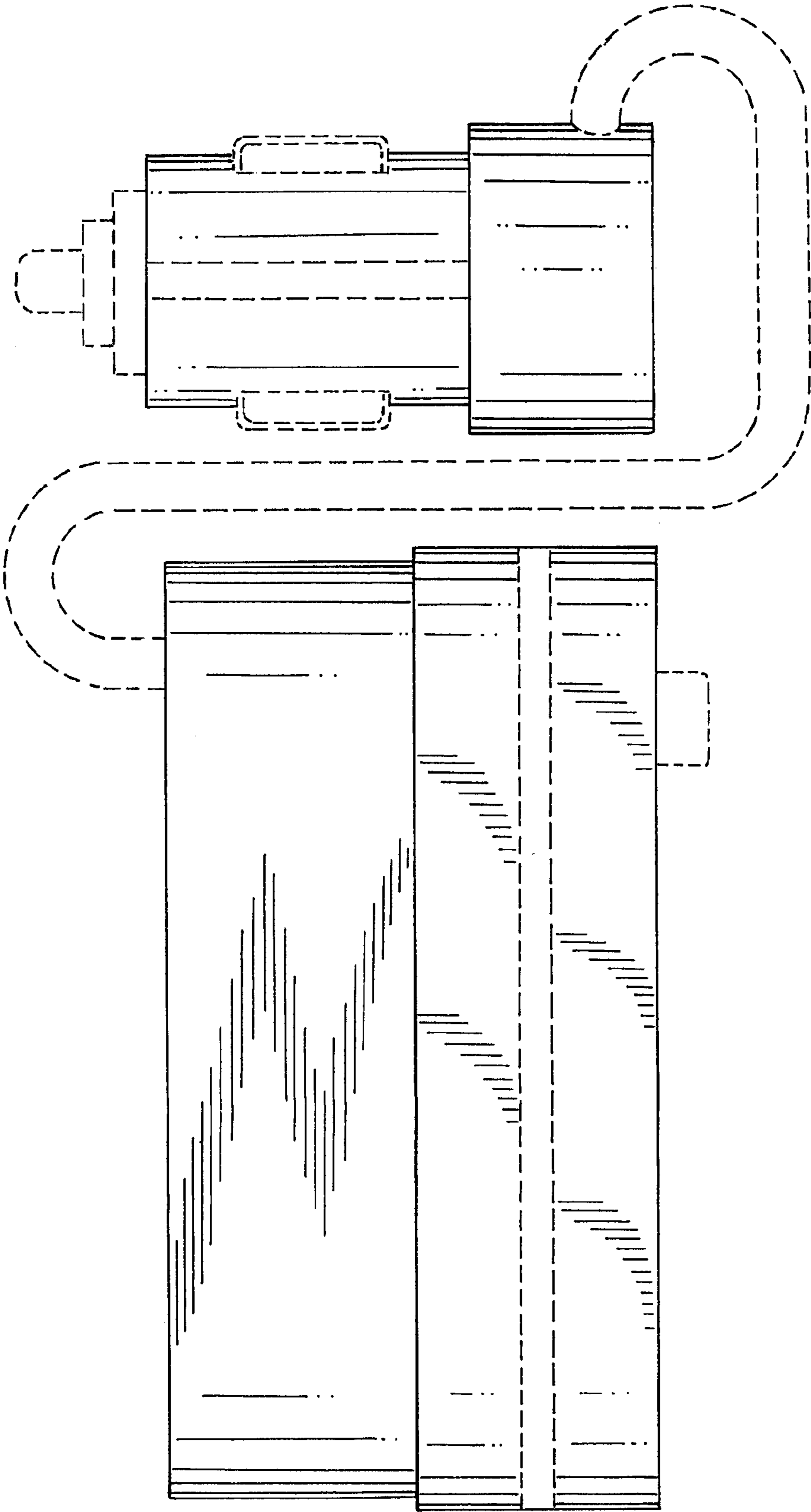
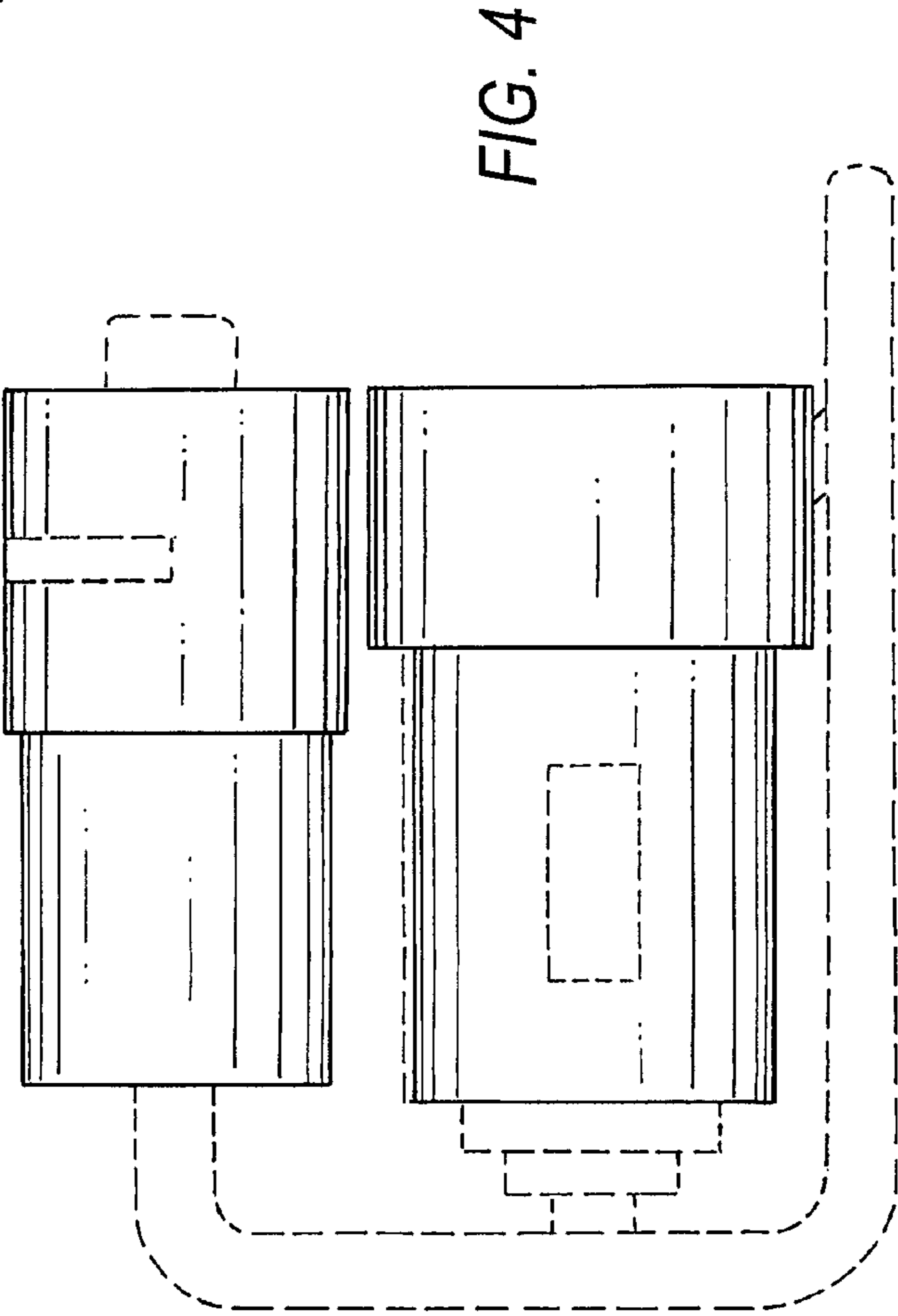
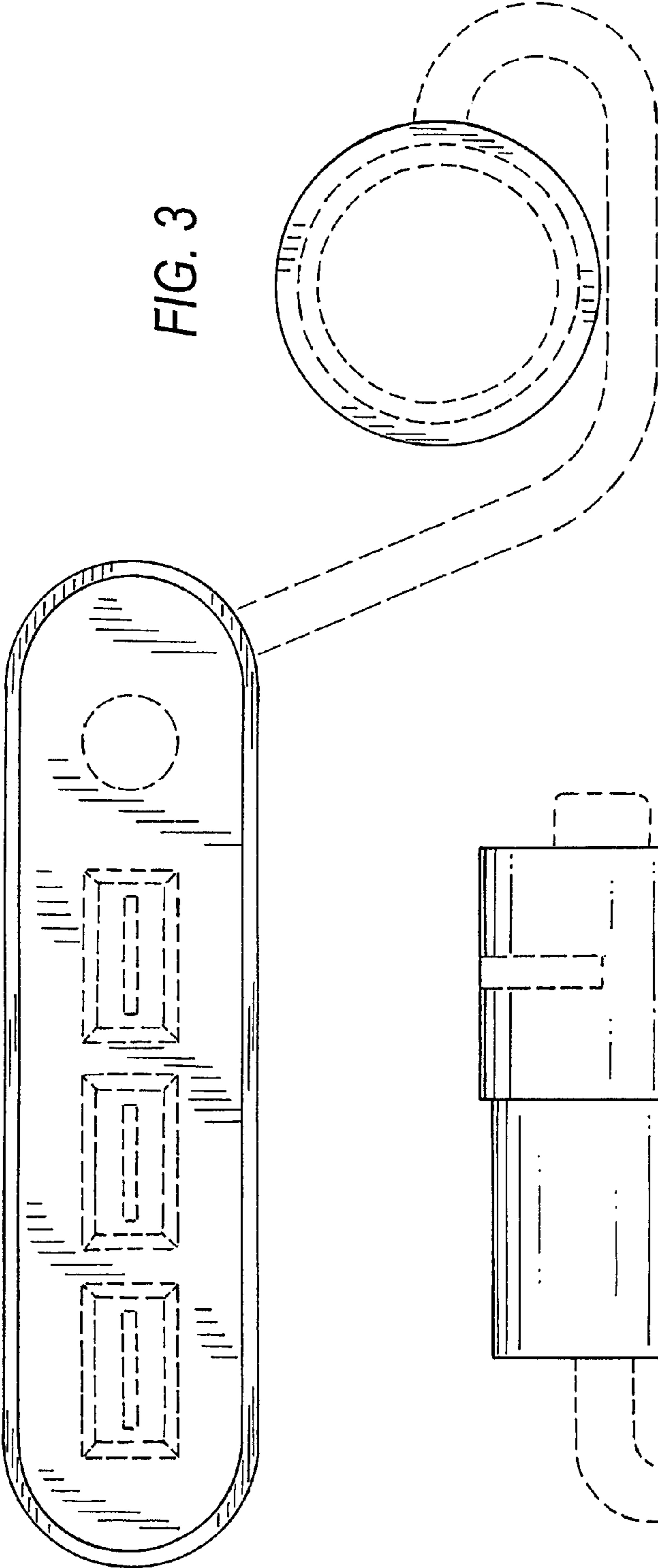


FIG. 2



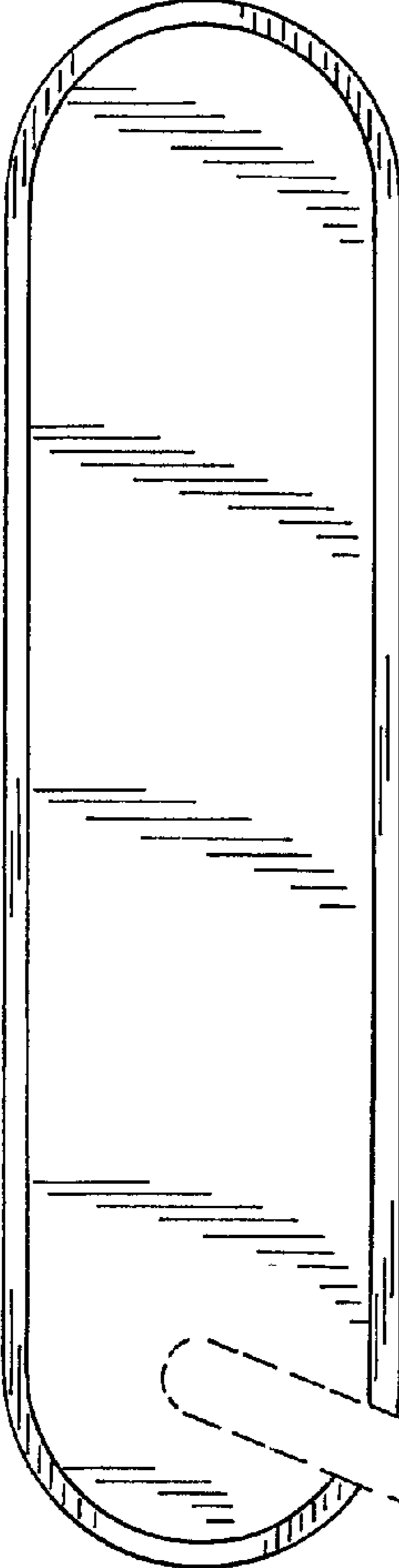


FIG. 5

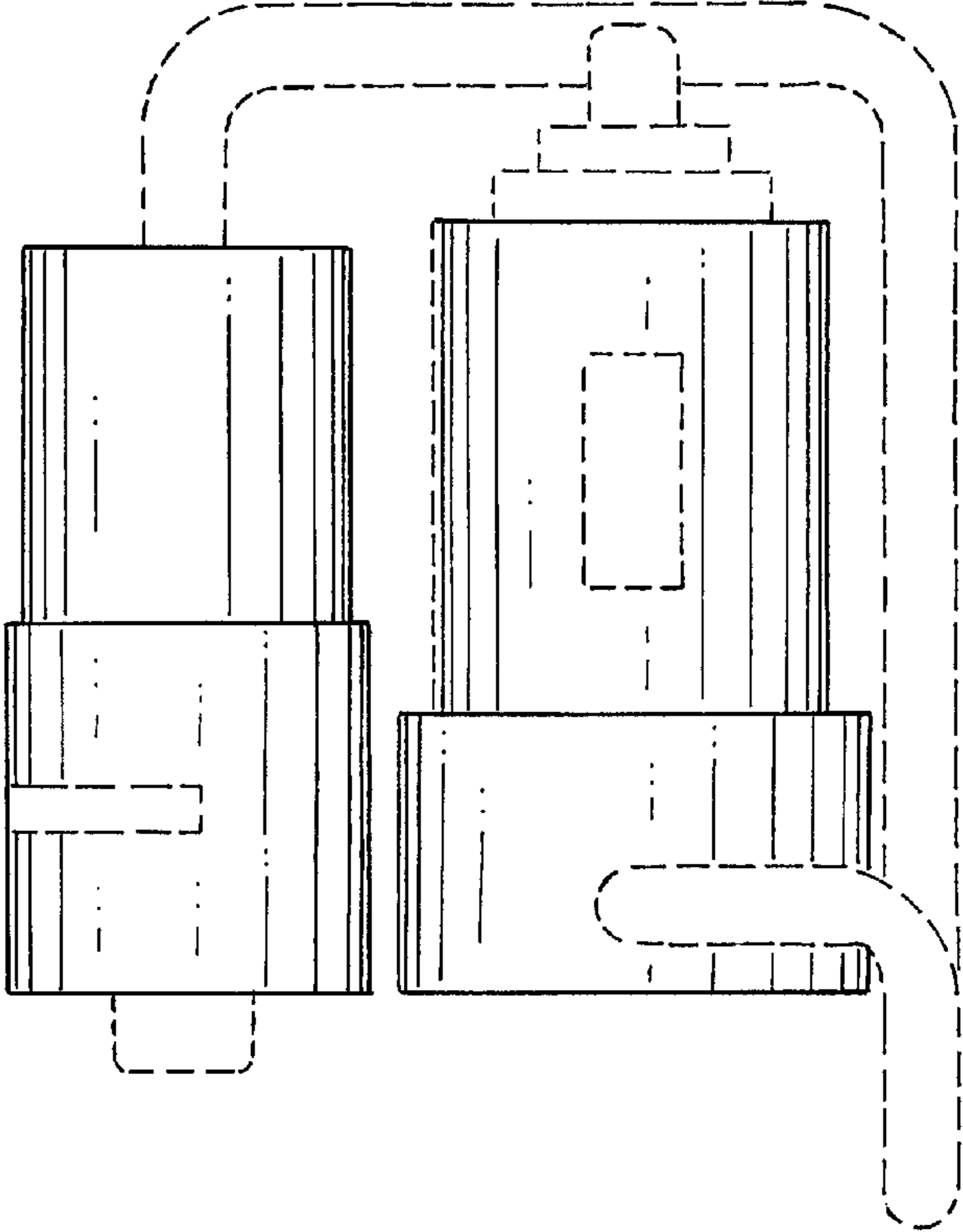
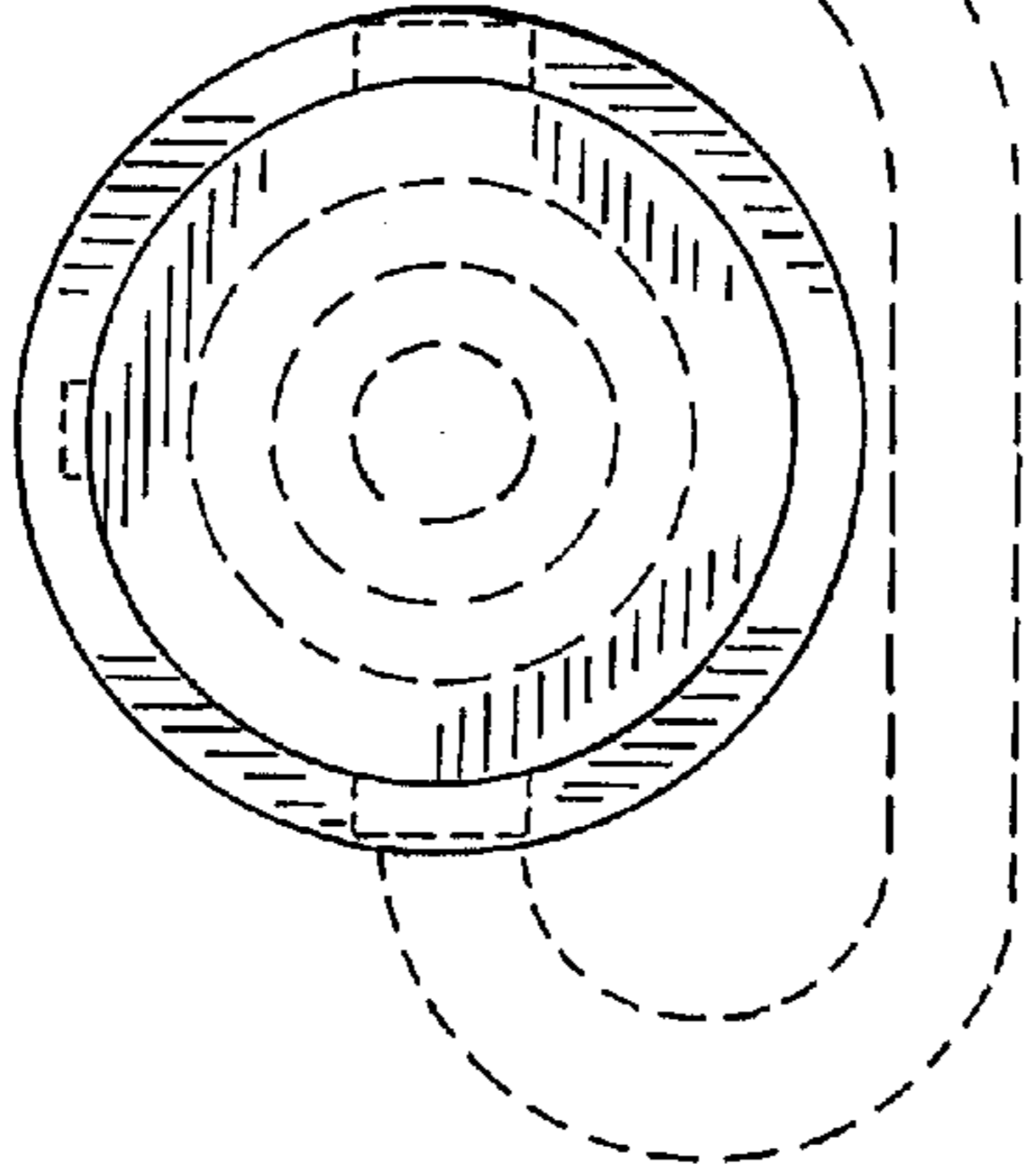


FIG. 6

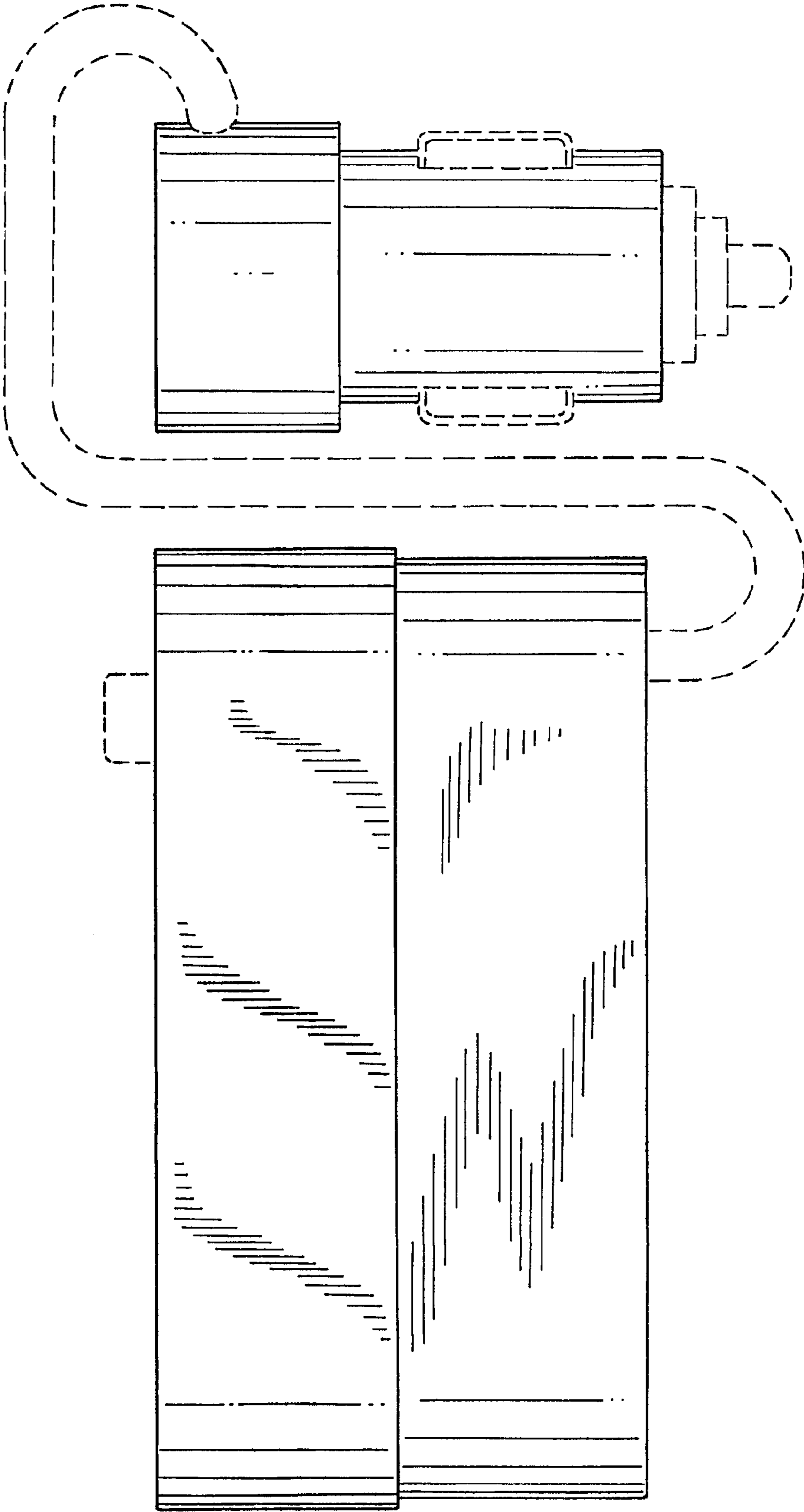


FIG. 7