



US00D701837S

(12) **United States Design Patent**
Rostami

(10) **Patent No.:** **US D701,837 S**

(45) **Date of Patent:** **** *Apr. 1, 2014**

(54) **POWER CONNECTOR**

(71) Applicant: **Ramin Rostami**, Calabasas, CA (US)

(72) Inventor: **Ramin Rostami**, Calabasas, CA (US)

(*) Notice: This patent is subject to a terminal disclaimer.

(**) Term: **14 Years**

(21) Appl. No.: **29/433,083**

(22) Filed: **Sep. 25, 2012**

(51) **LOC (10) Cl.** **13-03**

(52) **U.S. Cl.**
USPC **D13/144**

(58) **Field of Classification Search**
USPC D13/107, 108, 110, 118, 119, 120, 133,
D13/144, 154, 184, 199; 320/107-109;
363/13, 146; 439/300, 620.01, 638,
439/668-670, 675, 825
See application file for complete search history.

(56) **References Cited**

U.S. PATENT DOCUMENTS

D337,305 S * 7/1993 Ross et al. D13/133
D492,249 S * 6/2004 Suomalainen et al. D13/108

D585,375 S * 1/2009 Andre et al. D13/133
D618,618 S * 6/2010 Lee et al. D13/144
D622,218 S * 8/2010 Tseng et al. D13/144
D631,837 S * 2/2011 Smith et al. D13/108
D655,246 S * 3/2012 Fitch et al. D13/144
D671,497 S * 11/2012 Smith et al. D13/144
D672,313 S * 12/2012 Smith et al. D13/144
D684,930 S * 6/2013 Wang D13/144
D692,832 S * 11/2013 Esses D13/144

* cited by examiner

Primary Examiner — Thomas Johannes

(74) *Attorney, Agent, or Firm* — Merle W. Richman, Esq.

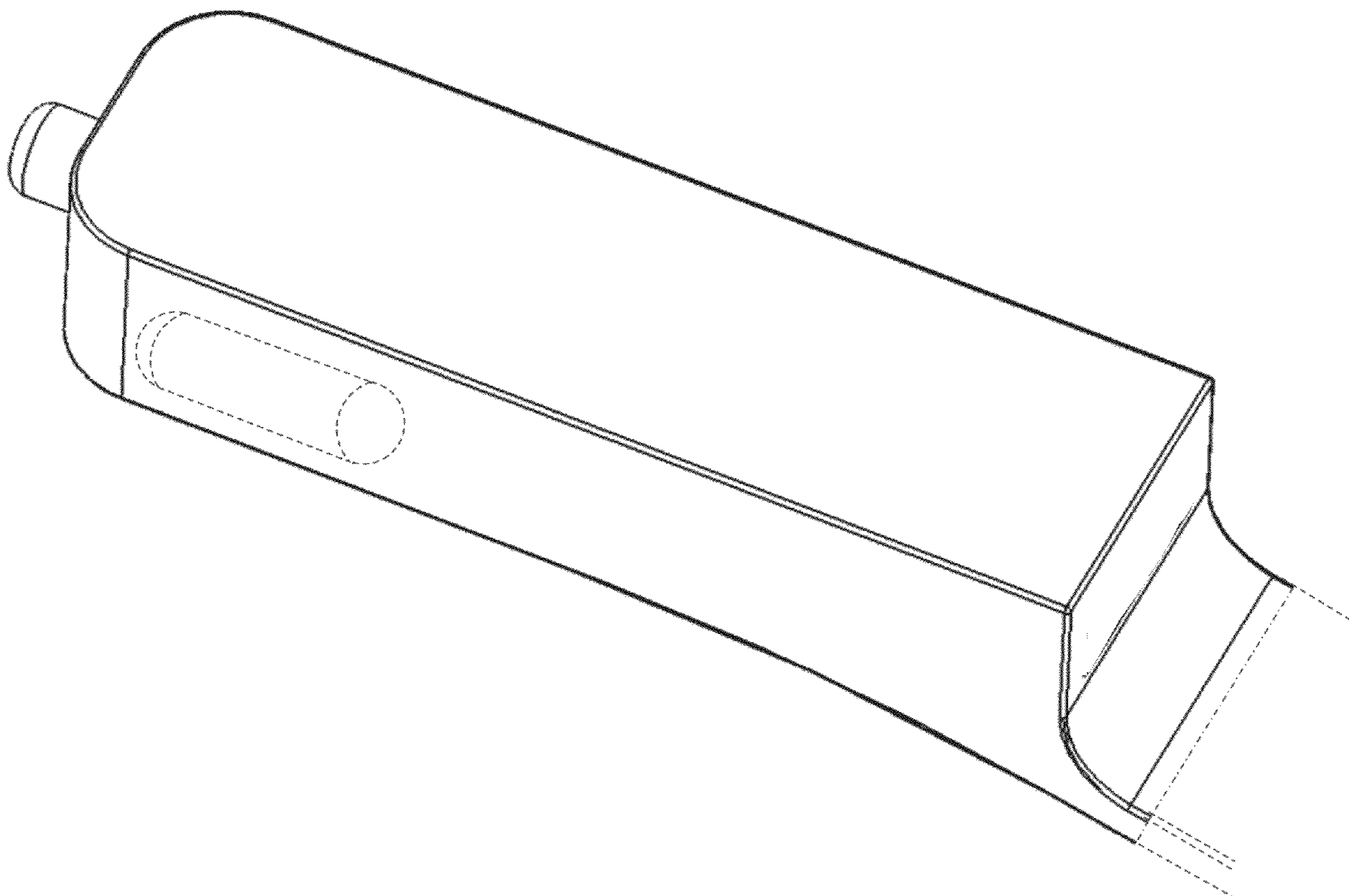
(57) **CLAIM**

The ornamental design for a power connector, substantially as shown and described.

DESCRIPTION

FIG. 1 is a perspective view of a power connector showing our new design;
FIG. 2 is a right side view thereof, the left side a mirror image thereof;
FIG. 3 is a top view thereof;
FIG. 4 is an enlarged bottom view thereof; and,
FIG. 5 is an enlarged front view thereof.
The broken lines in the Figures are for illustrative purposes only and form no part of the claimed design.

1 Claim, 5 Drawing Sheets



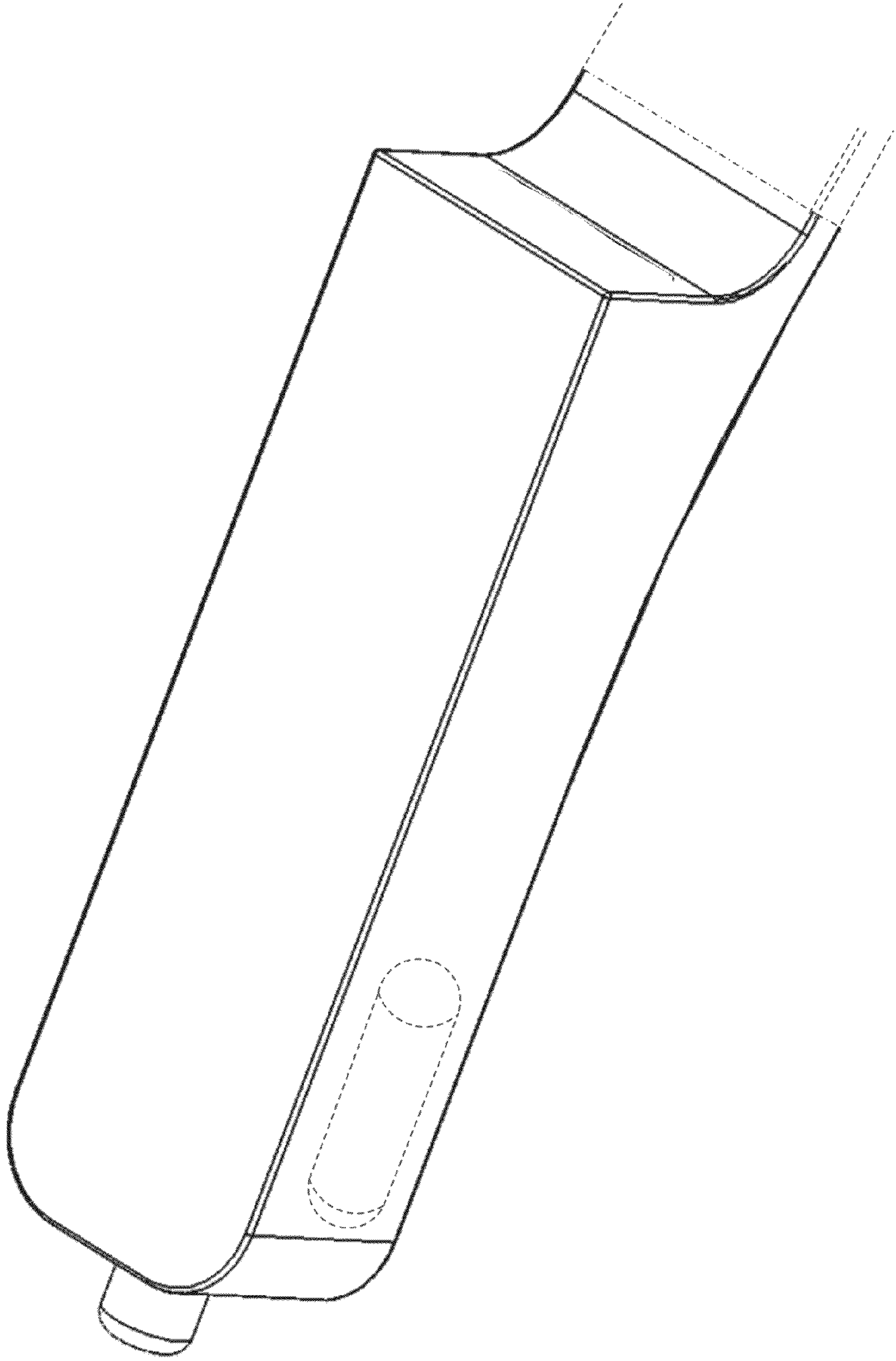


FIG. 1

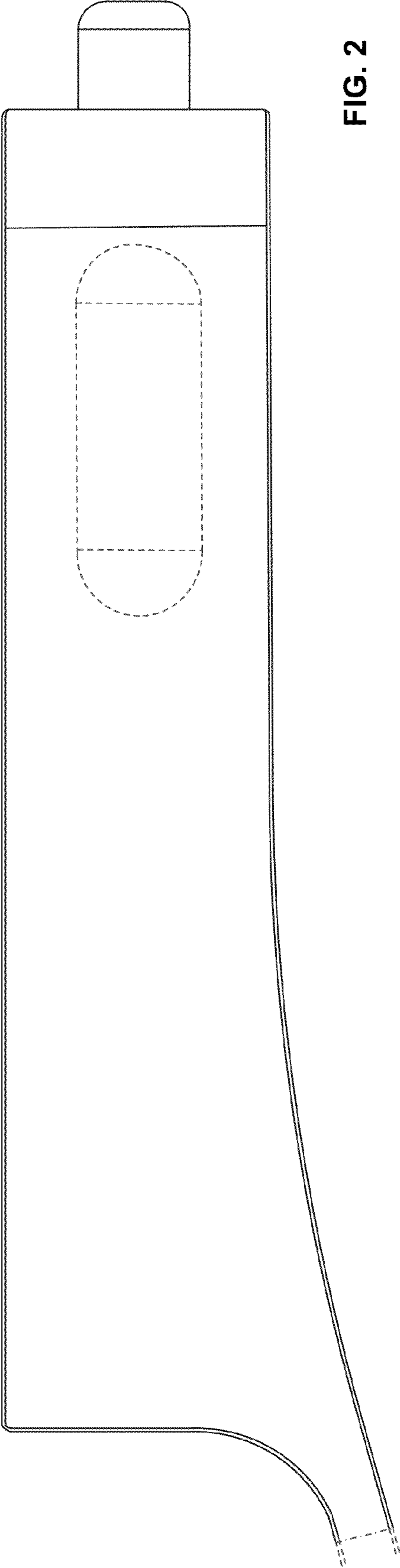


FIG. 2

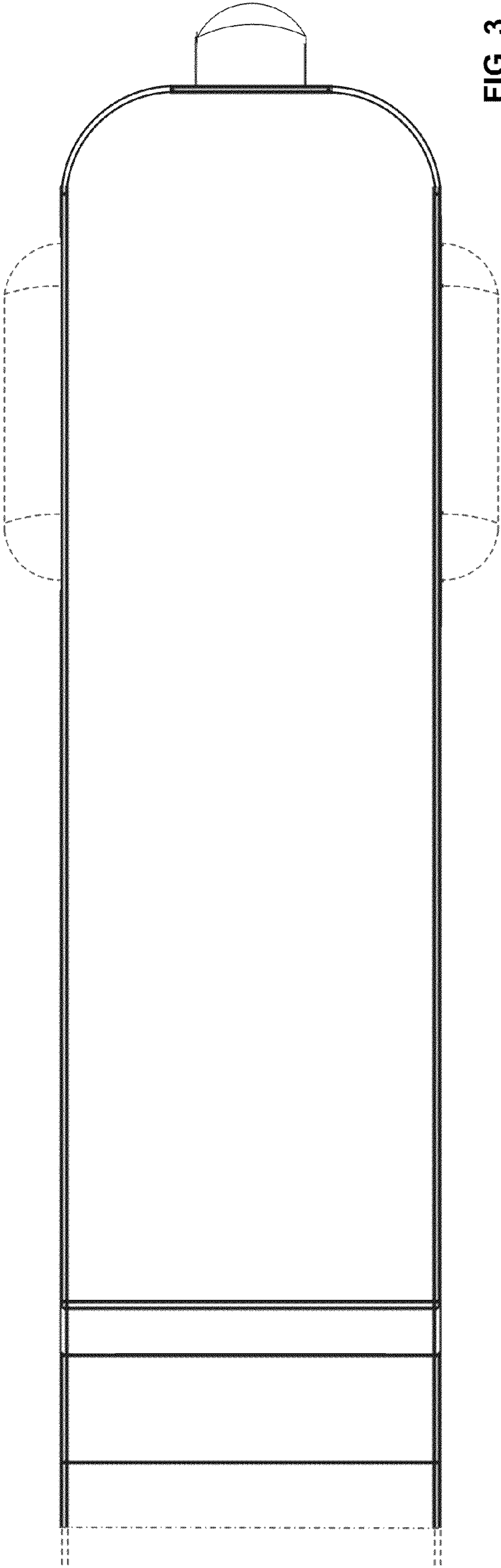


FIG. 3

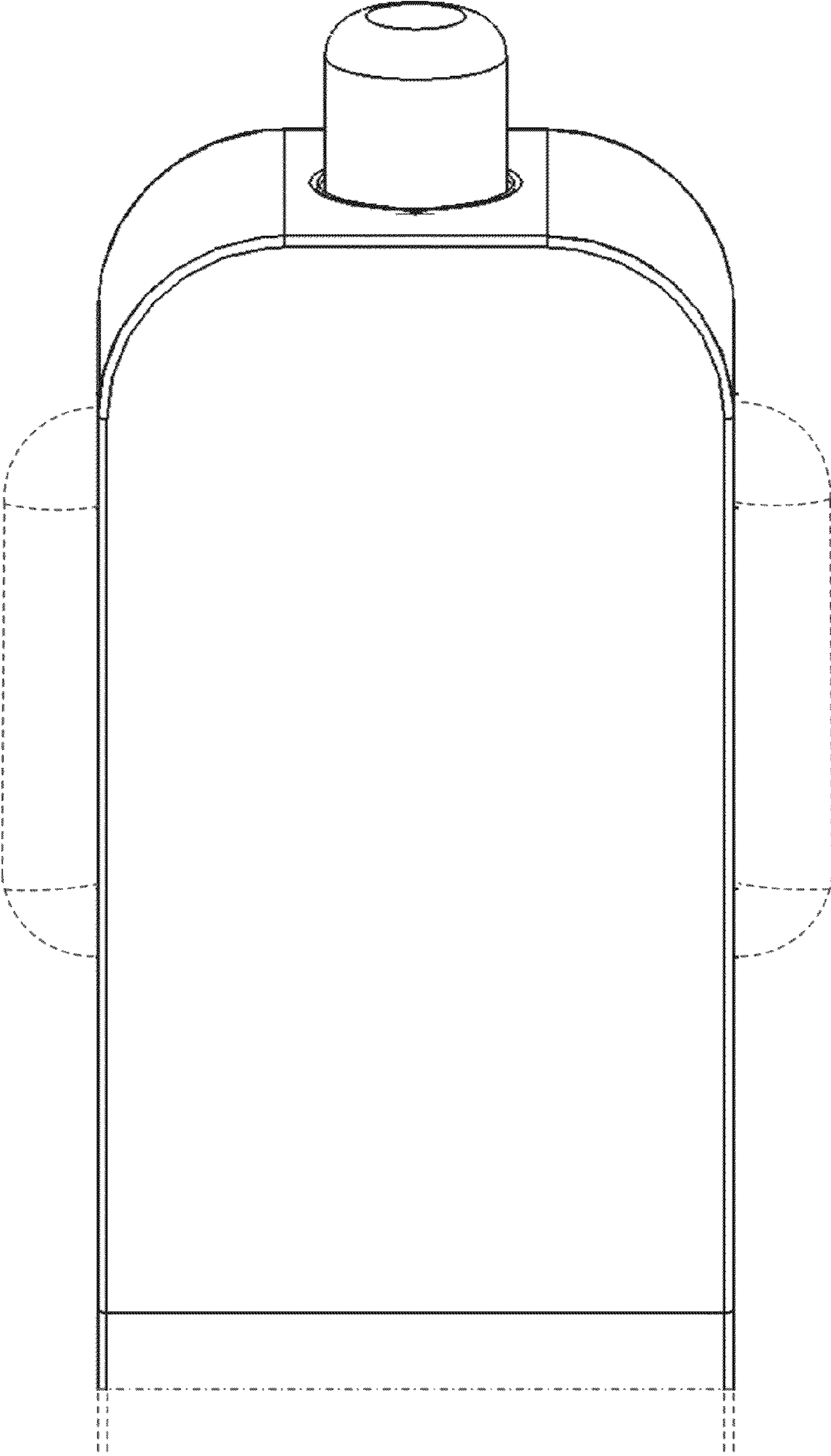


FIG. 4

FIG. 5

