



US00D701836S

(12) **United States Design Patent**
Byrne

(10) **Patent No.:** **US D701,836 S**

(45) **Date of Patent:** **** Apr. 1, 2014**

- (54) **ELECTRICAL RECEPTACLE**
- (71) Applicant: **Norman R. Byrne**, Ada, MI (US)
- (72) Inventor: **Norman R. Byrne**, Ada, MI (US)
- (**) Term: **14 Years**
- (21) Appl. No.: **29/436,239**
- (22) Filed: **Nov. 2, 2012**

- D573,950 S * 7/2008 Schwartz D13/139.1
- 7,833,037 B2 11/2010 Reusche et al.
- D674,754 S * 1/2013 Zanoni et al. D13/139.1
- 2006/0134998 A1 6/2006 Byrne
- 2011/0244700 A1 10/2011 Byrne
- 2012/0231652 A1 9/2012 Byrne et al.

OTHER PUBLICATIONS

<http://www.grainger.com/Grainger/Plug-Adaptor-11K293?Pid=search>*

(Continued)

Related U.S. Application Data

- (63) Continuation of application No. 12/816,089, filed on Jun. 15, 2010.
- (51) **LOC (10) Cl.** **13-03**
- (52) **U.S. Cl.**
USPC **D13/139.1**
- (58) **Field of Classification Search**
USPC D13/152, 164, 184, 137.1, 139.1, 153,
D13/137.2, 133, 137.4, 139.7, 130, 128,
D13/132, 138.2, 139.4, 139.8, 139.6, 123,
D13/160, 107; 361/683; D9/416, 423
See application file for complete search history.

Primary Examiner — Robert M Spear
Assistant Examiner — Rhea Shields
 (74) *Attorney, Agent, or Firm* — Gardner, Linn, Burkhardt & Flory, LLP

(57) **CLAIM**

The ornamental design for an electrical receptacle, as shown and described.

DESCRIPTION

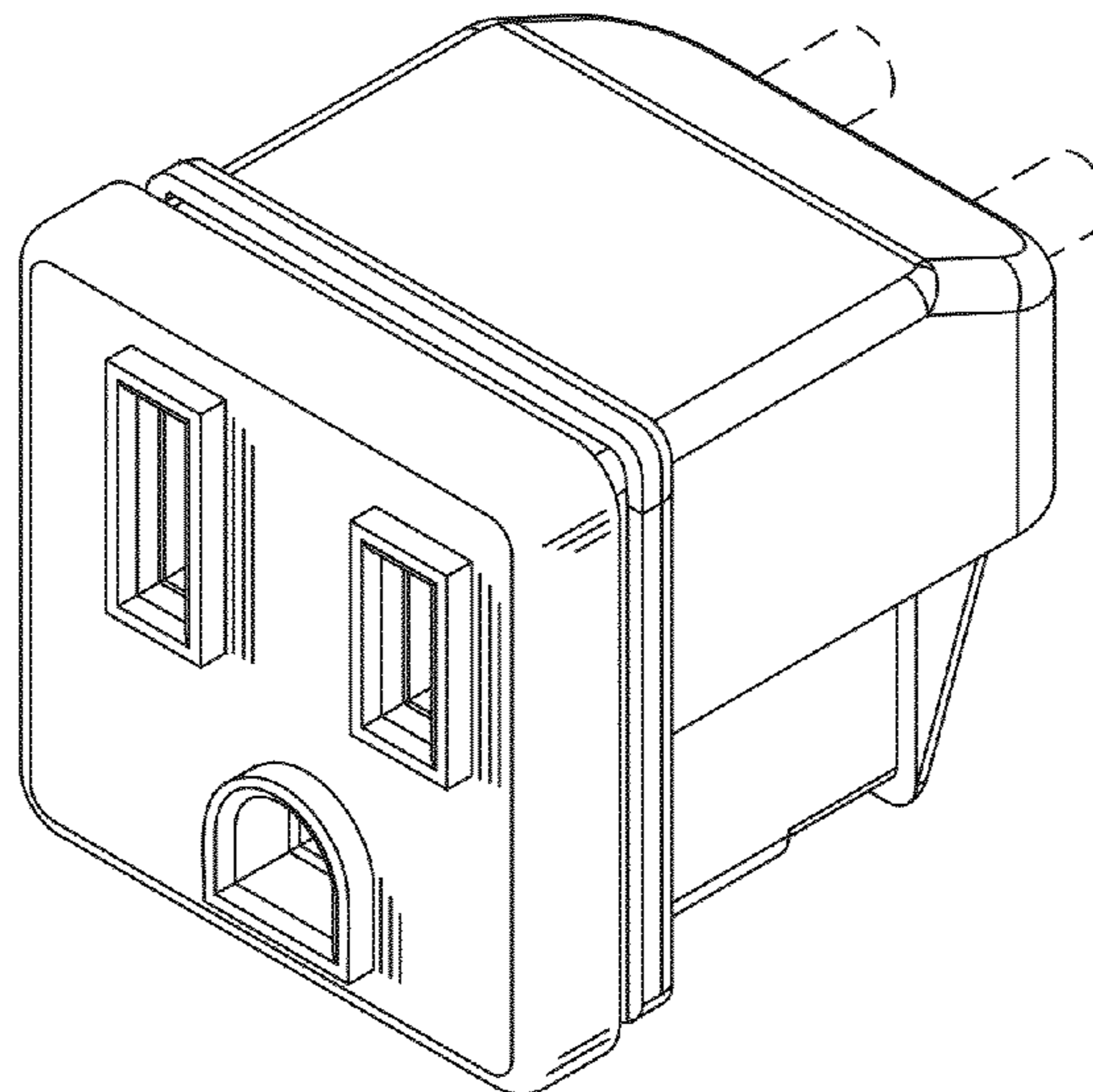
FIG. 1 is a perspective view of the electrical receptacle showing my new design;
 FIG. 2 is a top plan view of the electrical receptacle of FIG. 1;
 FIG. 3 is a bottom plan view of the electrical receptacle of FIG. 1;
 FIG. 4 is a front elevation of the electrical receptacle of FIG. 1;
 FIG. 5 is a rear elevation of the electrical receptacle of FIG. 1;
 FIG. 6 is a right side elevation of the electrical receptacle of FIG. 1; and,
 FIG. 7 is a left side elevation of the electrical receptacle of FIG. 1.
 The broken lines are included for the purpose of illustrating portions of the electrical receptacle that form no part of the claimed design.

(56) **References Cited**

U.S. PATENT DOCUMENTS

- 2,249,827 A 7/1941 Herman
- 3,611,257 A 10/1971 Carkhuff
- 3,850,496 A 11/1974 Hague
- 5,234,355 A 8/1993 Sosinski et al.
- 5,647,751 A 7/1997 Shulman et al.
- D430,539 S * 9/2000 Leopold et al. D13/139.3
- 6,290,512 B1 9/2001 Mullen, Jr.
- 6,488,540 B2 12/2002 Coyle, Jr. et al.
- 6,981,896 B2 1/2006 Su
- 7,244,128 B2 7/2007 Byrne
- 7,258,564 B1 8/2007 Su
- D558,676 S * 1/2008 Fort et al. D13/139.3
- D568,816 S * 5/2008 Micheals D13/139.3

1 Claim, 4 Drawing Sheets



(56)

References Cited

OTHER PUBLICATIONS

http://zingearpc.en.ec21.com/Zing_Ear_Snap_In_Receptacle--5769349_5769674.html.*

Heyco datasheet entitled "Preassembled Cordset Components: Tri-Tap Premold—NEMA 5-15R," available at http://www.heyco.com/Power_Components/pdf/8-28.pdf.

* cited by examiner

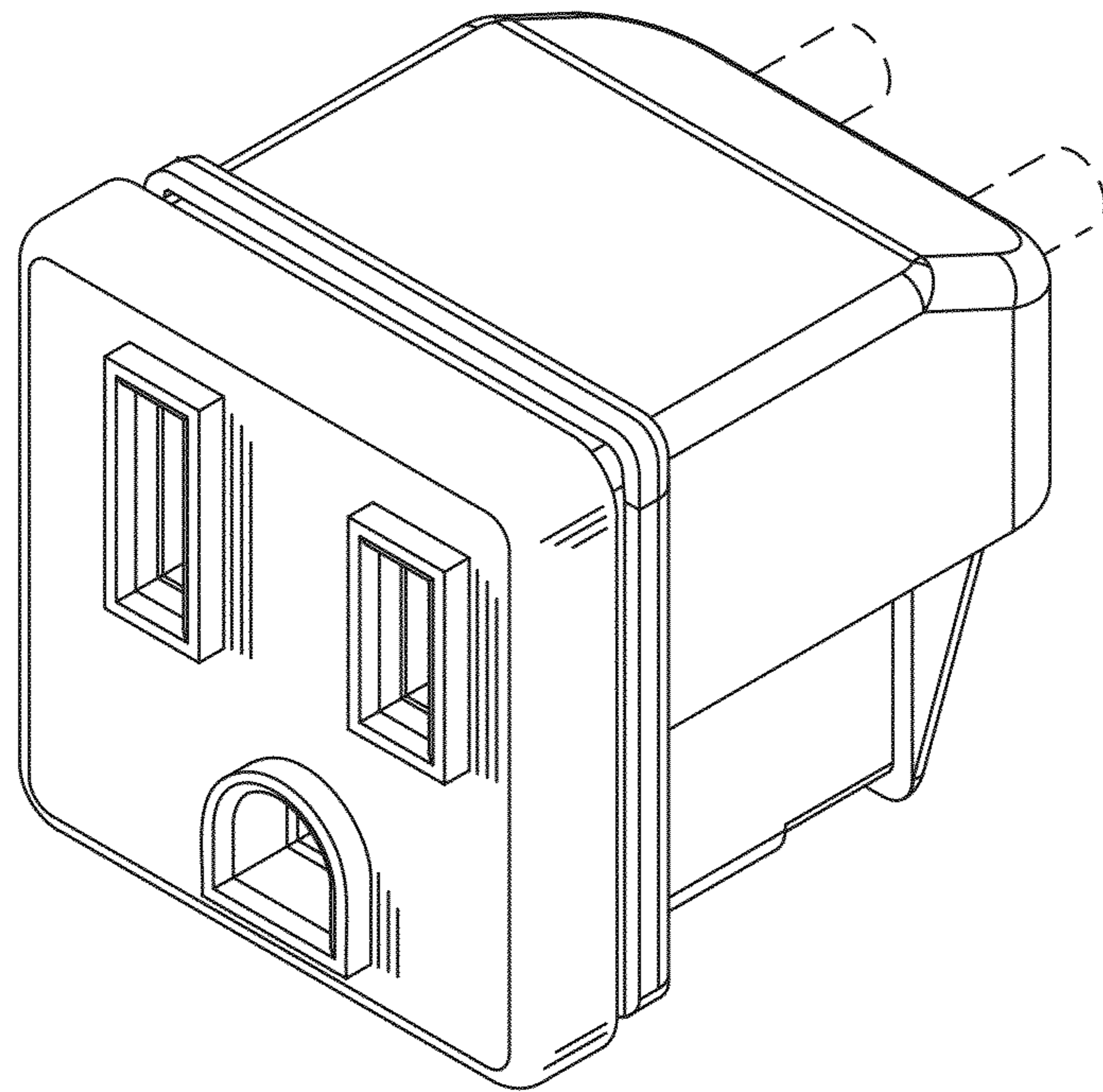


Fig. 1

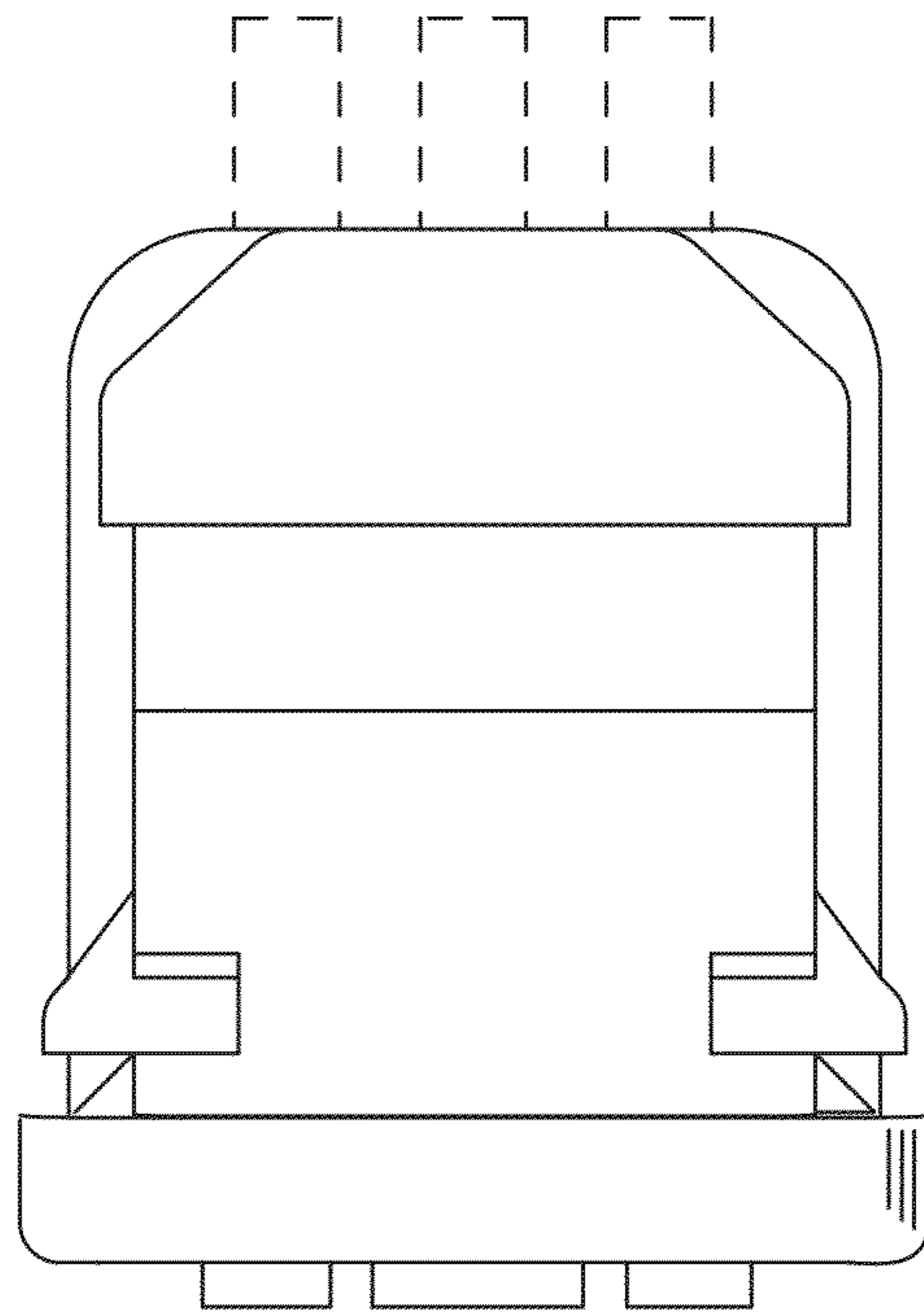


Fig. 2

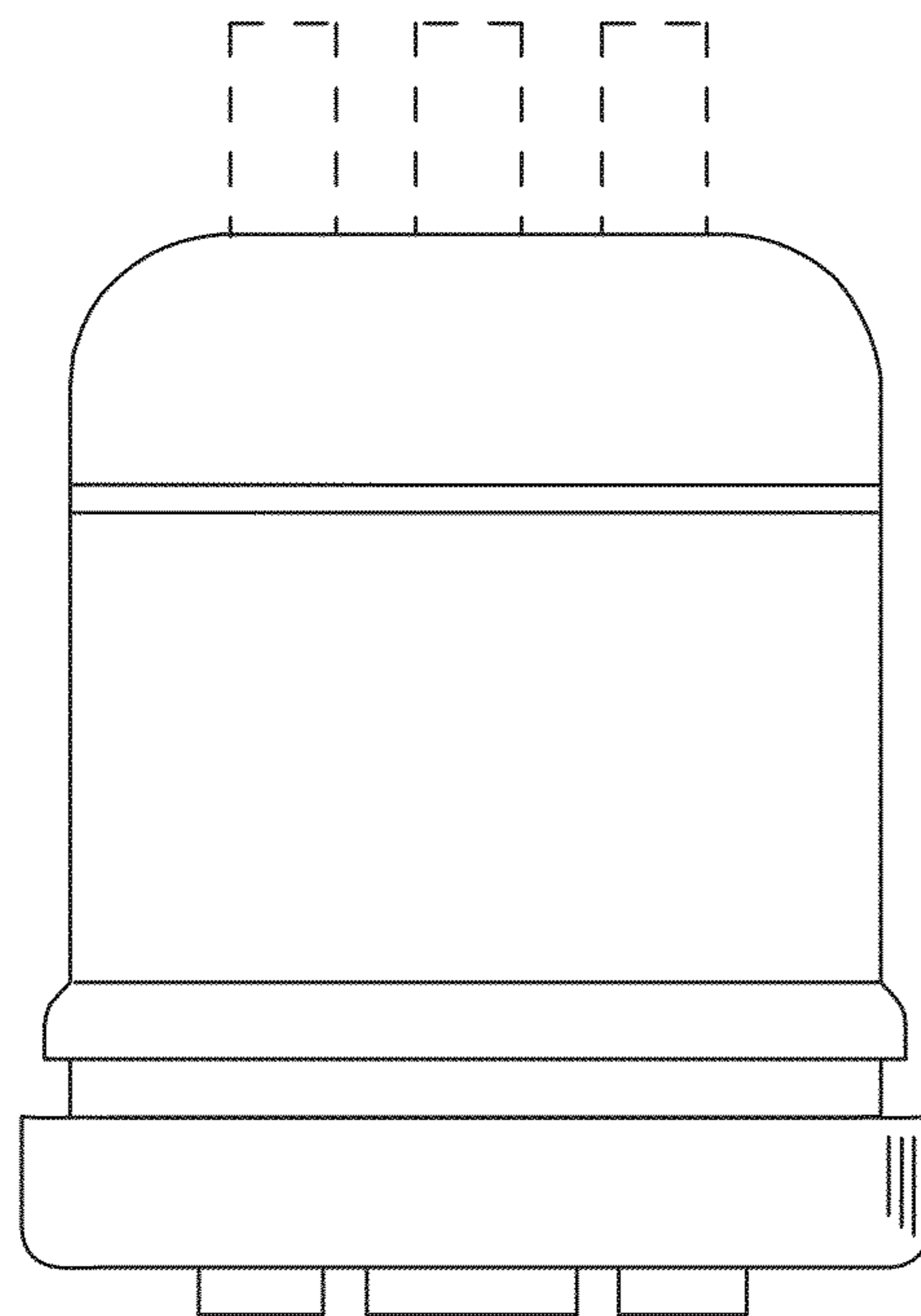


Fig. 3

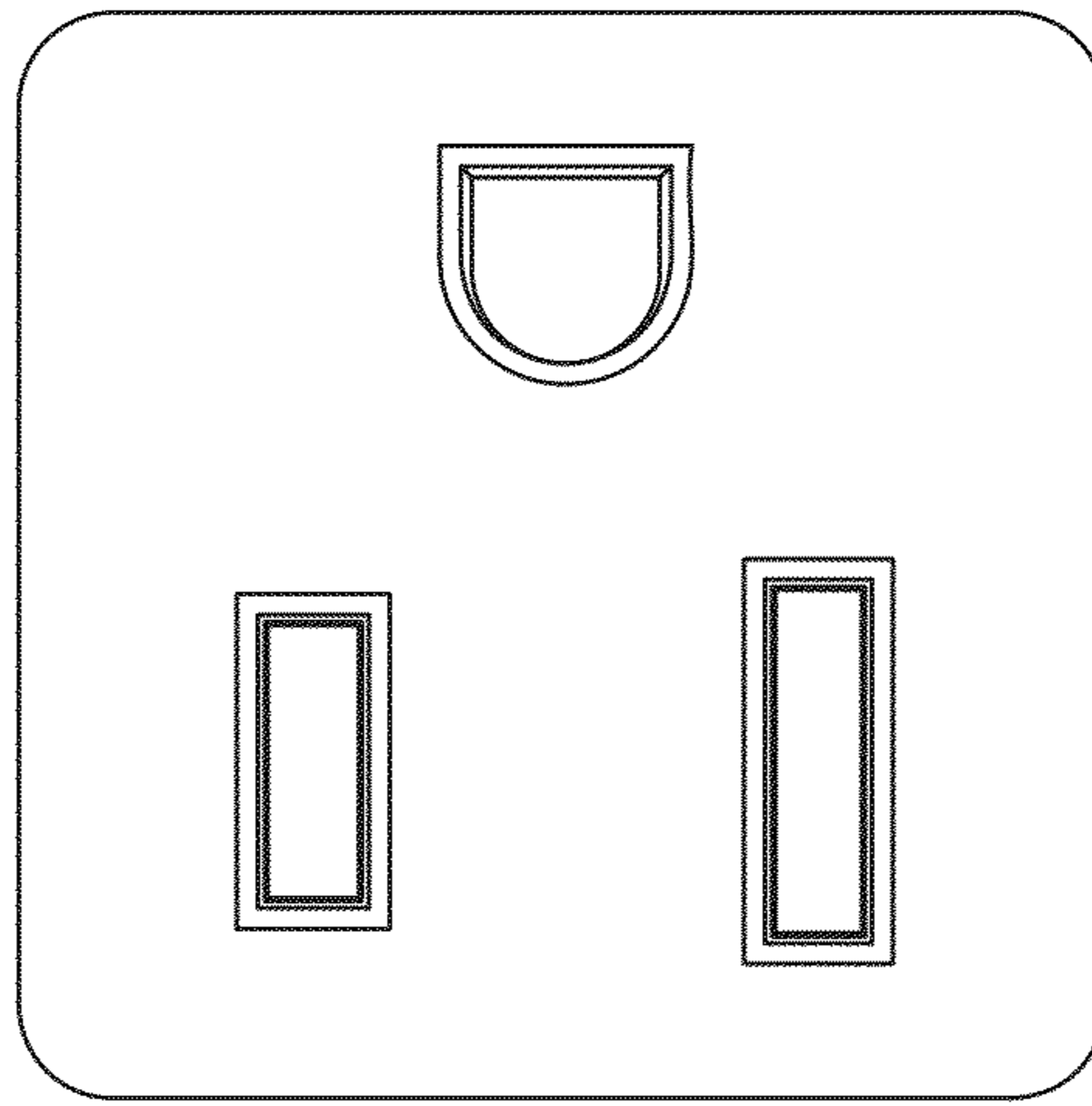


Fig. 4

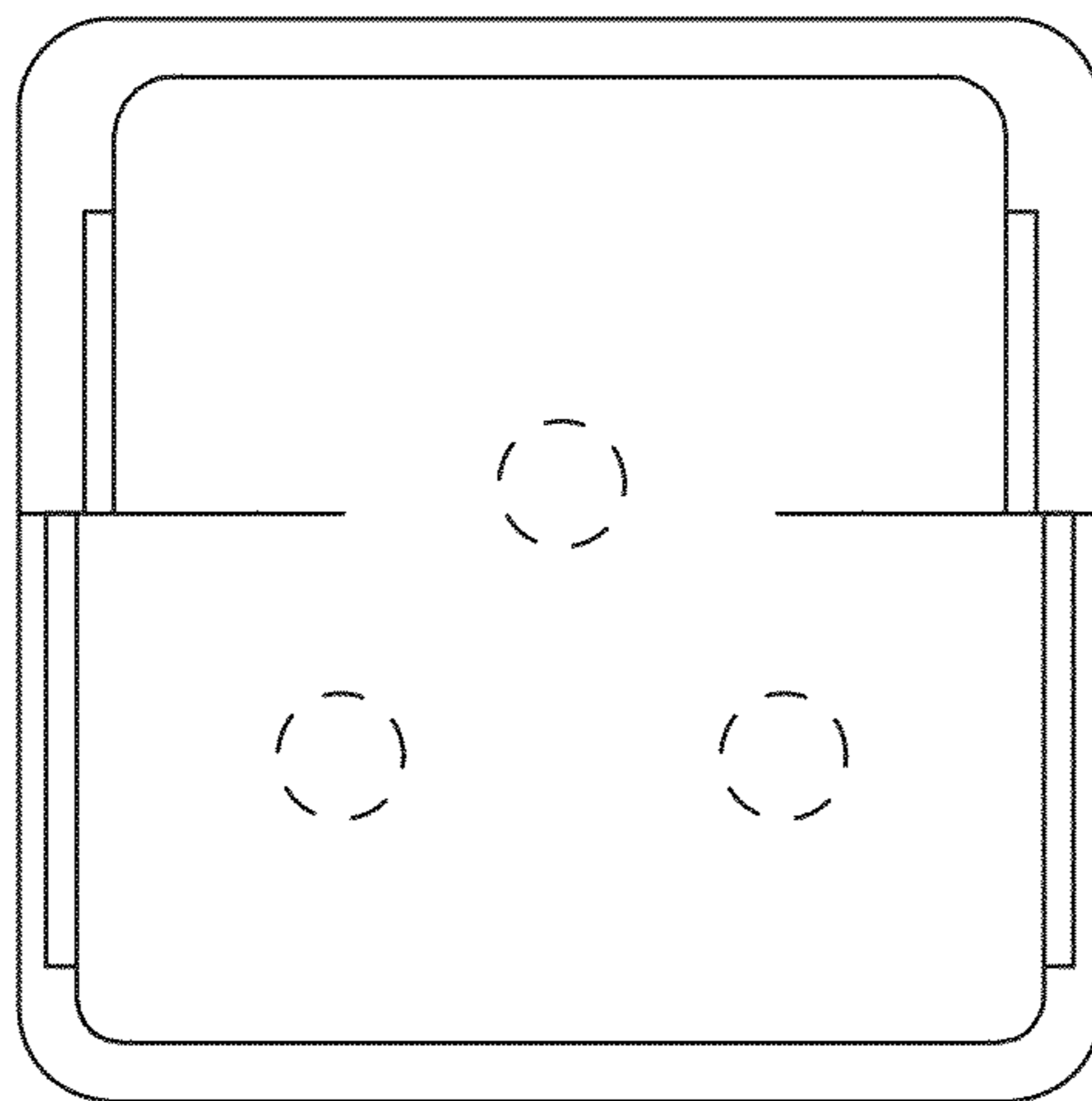


Fig. 5

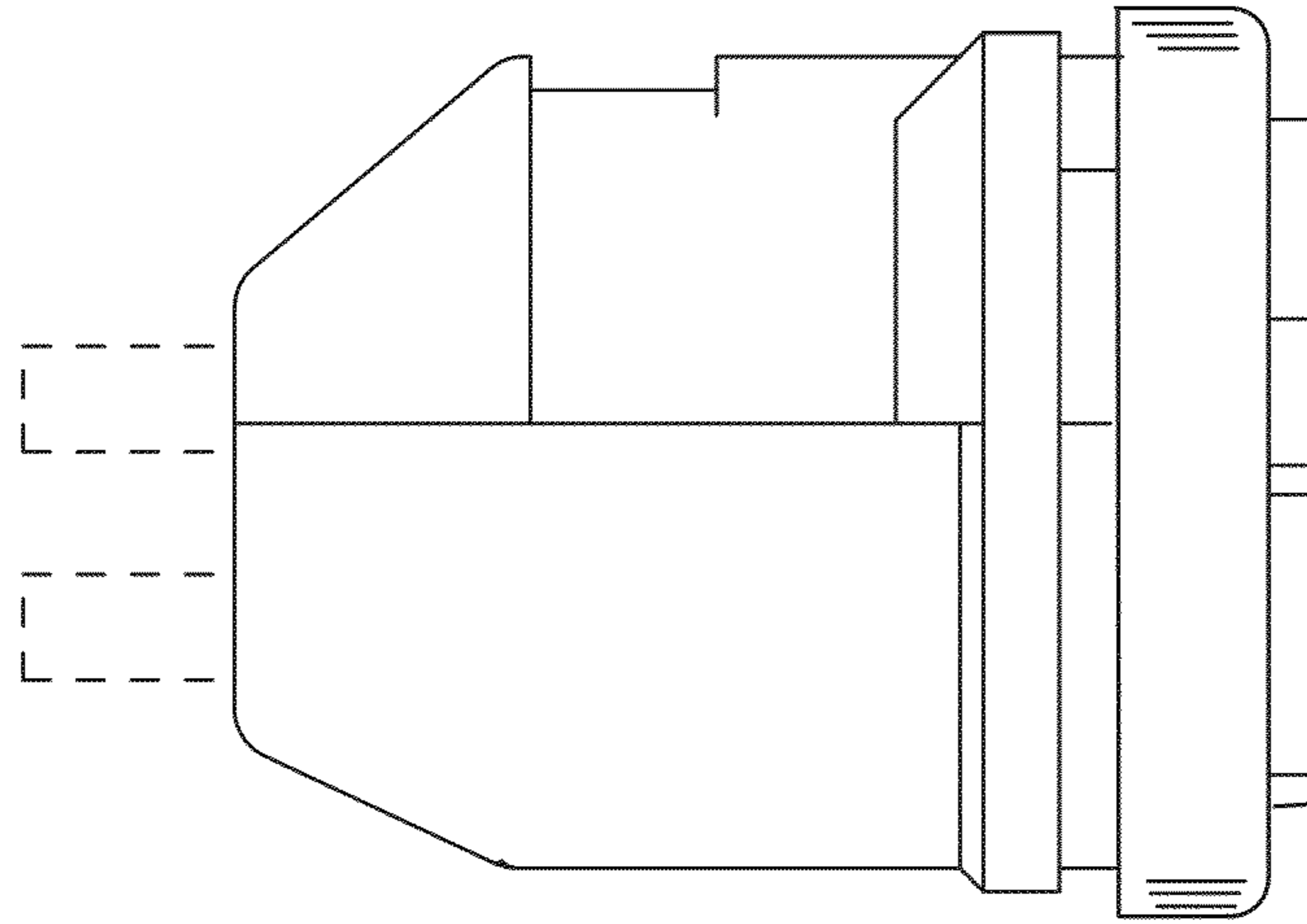


Fig. 6

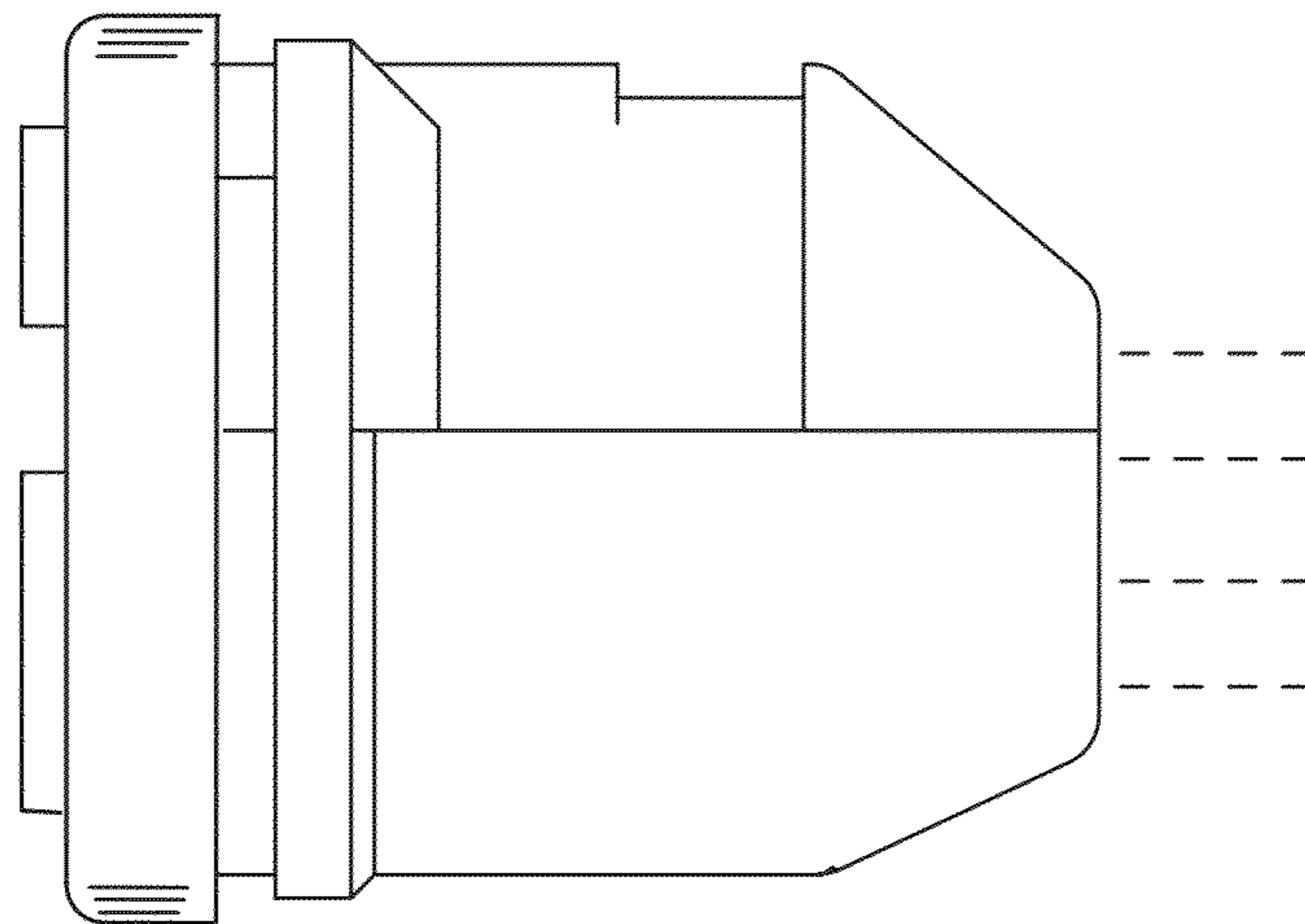


Fig. 7