



US00D701833S

(12) **United States Design Patent**
Carlucci et al.

(10) **Patent No.:** **US D701,833 S**
(45) **Date of Patent:** **** Apr. 1, 2014**

- (54) **ALL-IN-ONE-ADAPTER PLUG**
- (71) Applicant: **Conair Corporation**, Stamford, CT (US)
- (72) Inventors: **Vito Carlucci**, Stratford, CT (US);
Sergio Lopes Fernandes da Costa, Danbury, CT (US)
- (73) Assignee: **Conair Corporation**, Stamford, CT (US)
- (**) Term: **14 Years**
- (21) Appl. No.: **29/436,802**
- (22) Filed: **Nov. 9, 2012**
- (51) **LOC (10) Cl.** **13-03**
- (52) **U.S. Cl.**
USPC **D13/133; D13/137.2**
- (58) **Field of Classification Search**
USPC D13/120, 133, 137-138, 146, 147, 154;
439/180, 246, 252, 278, 374, 378, 379,
439/380, 381, 527, 529, 533, 675, 750, 842,
439/851, 889, 892, 894, 944, 948
See application file for complete search history.

D540,257 S	4/2007	Ivanova et al.	
D549,650 S	8/2007	Russell et al.	
D552,036 S	10/2007	Holland	
D559,783 S	1/2008	Matzdorff et al.	
D566,654 S *	4/2008	Ivanova et al.	D13/139.7
D576,552 S	9/2008	Caine et al.	
D617,277 S	6/2010	Fahrendorff et al.	
D623,595 S	9/2010	Ruffner	
D626,073 S *	10/2010	Skidmore et al.	D13/146
D633,868 S	3/2011	Cullen et al.	
D657,314 S	4/2012	Ruffner	
D669,433 S	10/2012	Lee	
D678,200 S *	3/2013	Corona	D13/133
D690,653 S *	10/2013	Dillon	D13/147
2003/0181082 A1 *	9/2003	Wu	439/131

* cited by examiner

Primary Examiner — Thomas Johannes

(74) *Attorney, Agent, or Firm* — Carter, DeLuca, Farrell & Schmidt, LLP

(57) **CLAIM**

The ornamental design for the all-in-one adapter plug, as shown and described.

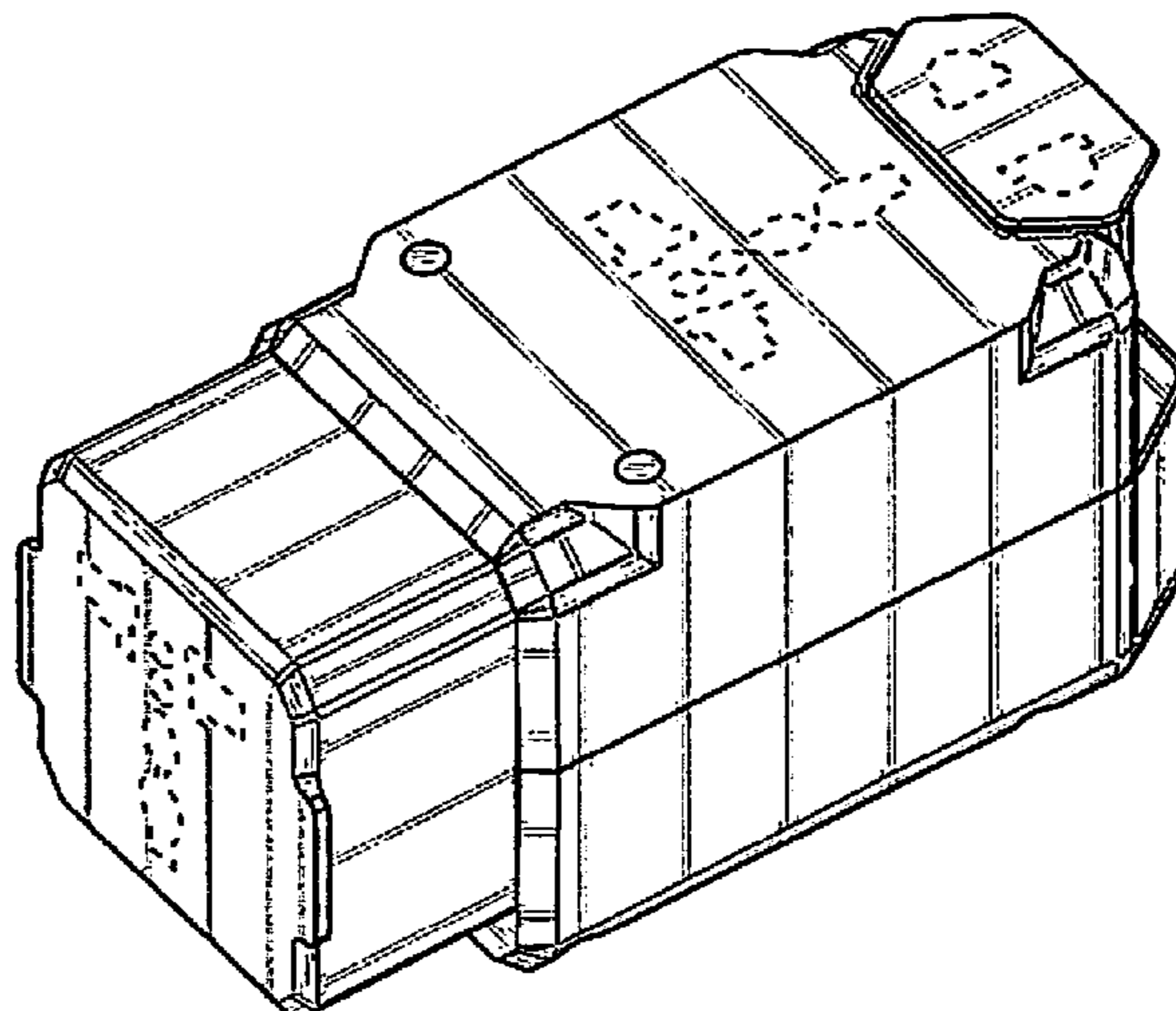
DESCRIPTION

FIG. 1 is a first perspective view of the all-in-one adapter plug showing our new design;
 FIG. 2 is a second perspective view thereof;
 FIG. 3 is a top plan view thereof;
 FIG. 4 is a bottom plan view thereof;
 FIG. 5 is a first elevation view thereof;
 FIG. 6 is a second elevation view thereof;
 FIG. 7 is a first axial view thereof; and,
 FIG. 8 is a second axial view thereof.

The portions of the figures shown in broken lines show unclaimed subject matter only and form no part of the claimed design.

- (56) **References Cited**
U.S. PATENT DOCUMENTS
- 4,409,536 A * 10/1983 Evjen 320/110
- D292,281 S 10/1987 Poliak et al.
- D292,397 S 10/1987 Poliak et al.
- D329,423 S 9/1992 Luu
- D375,080 S 10/1996 Sandor et al.
- D375,081 S 10/1996 Sandor et al.
- 5,613,863 A 3/1997 Klaus et al.
- D412,699 S * 8/1999 Lee D13/146
- D462,056 S 8/2002 Chung
- D524,751 S * 7/2006 Lee et al. D13/147

1 Claim, 5 Drawing Sheets



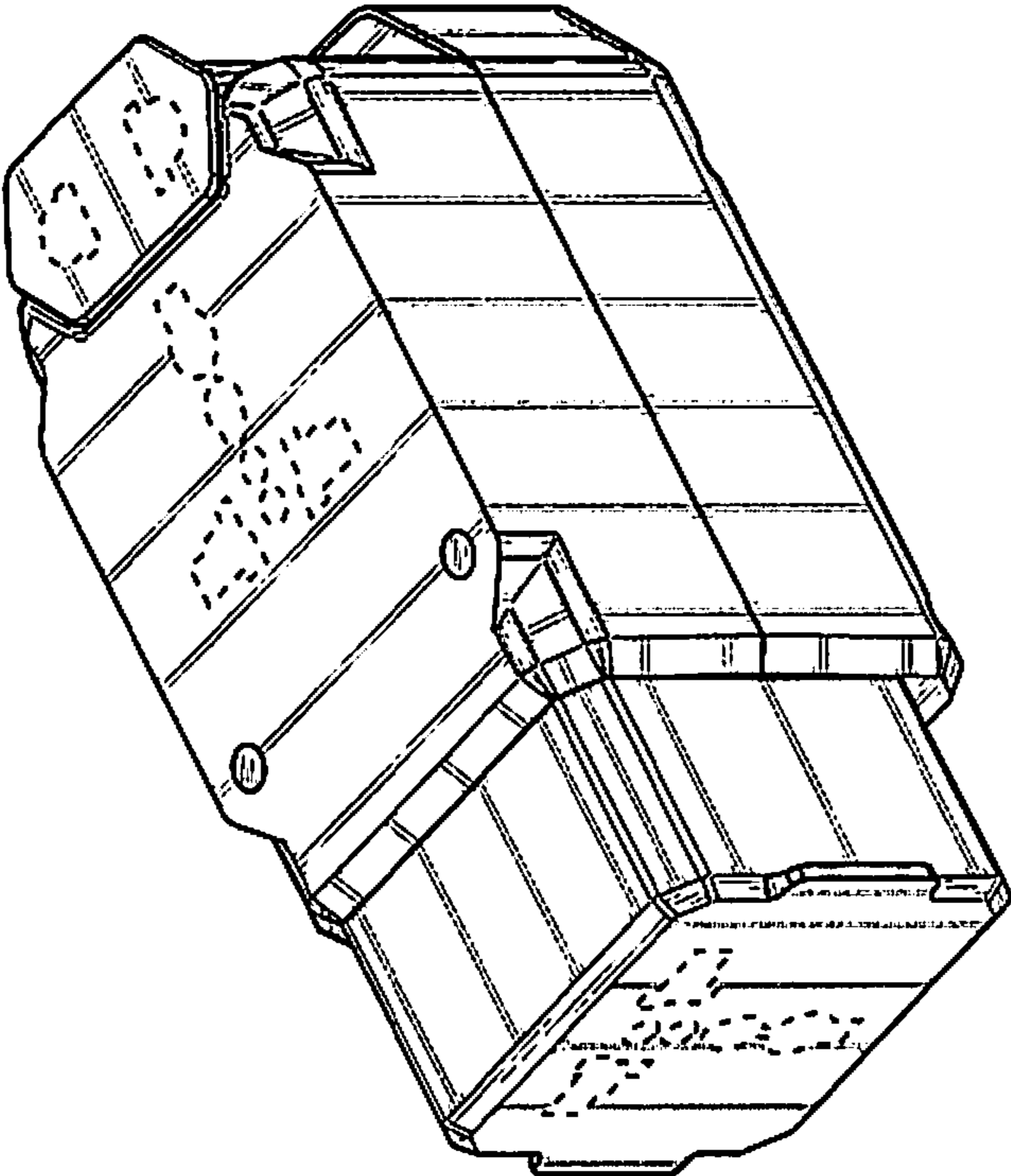


FIG. 1

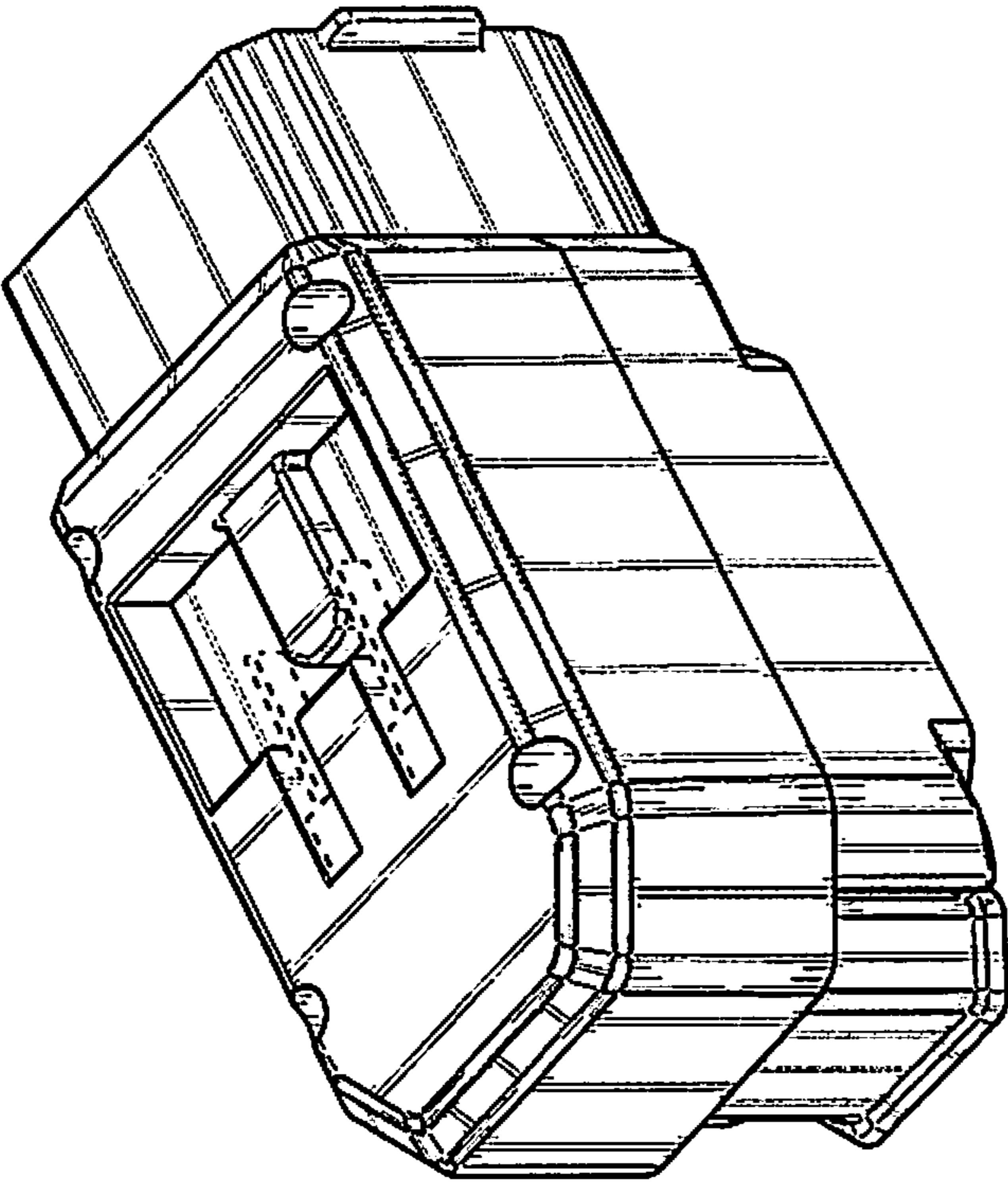


FIG. 2

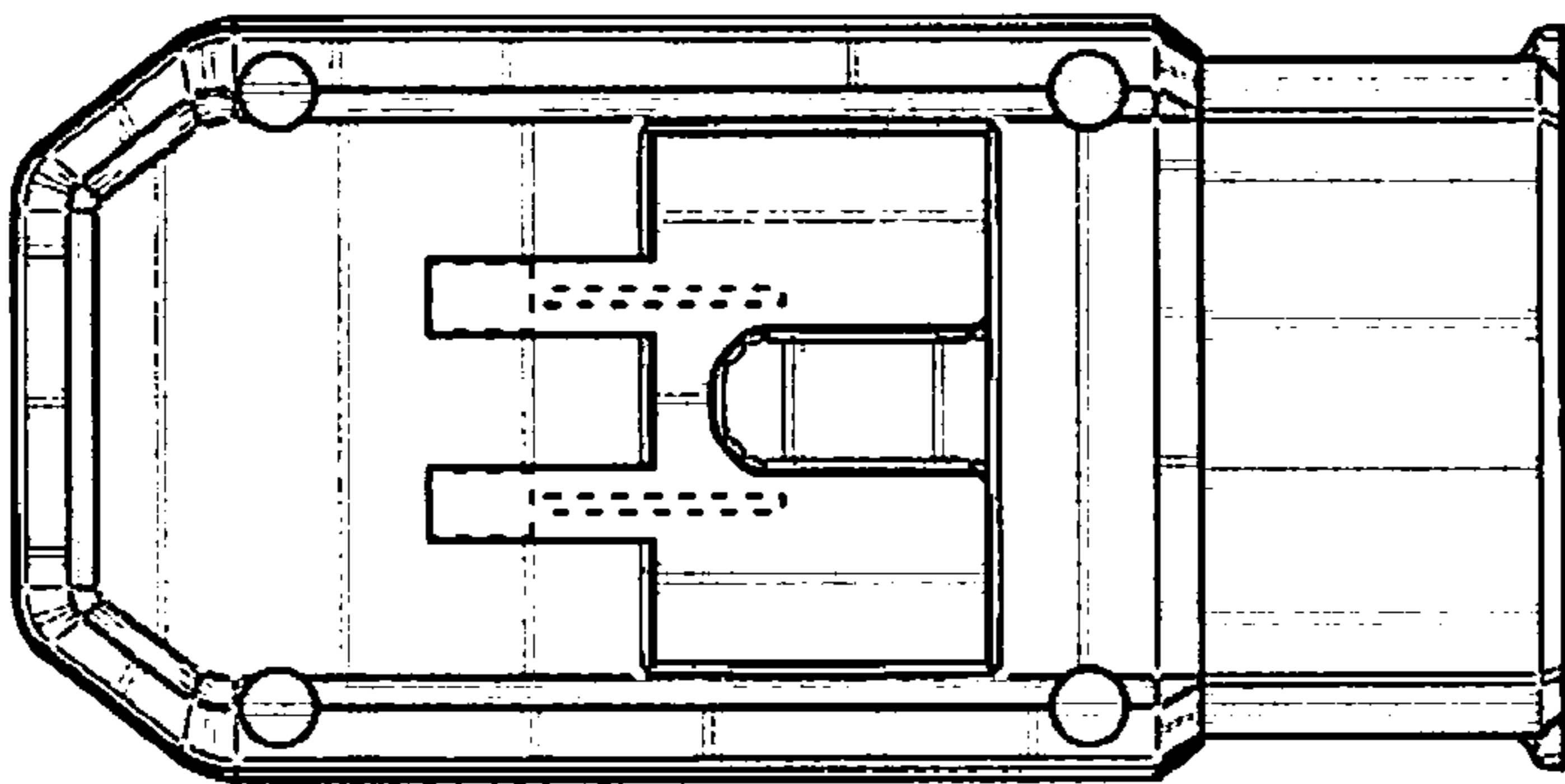


FIG. 3

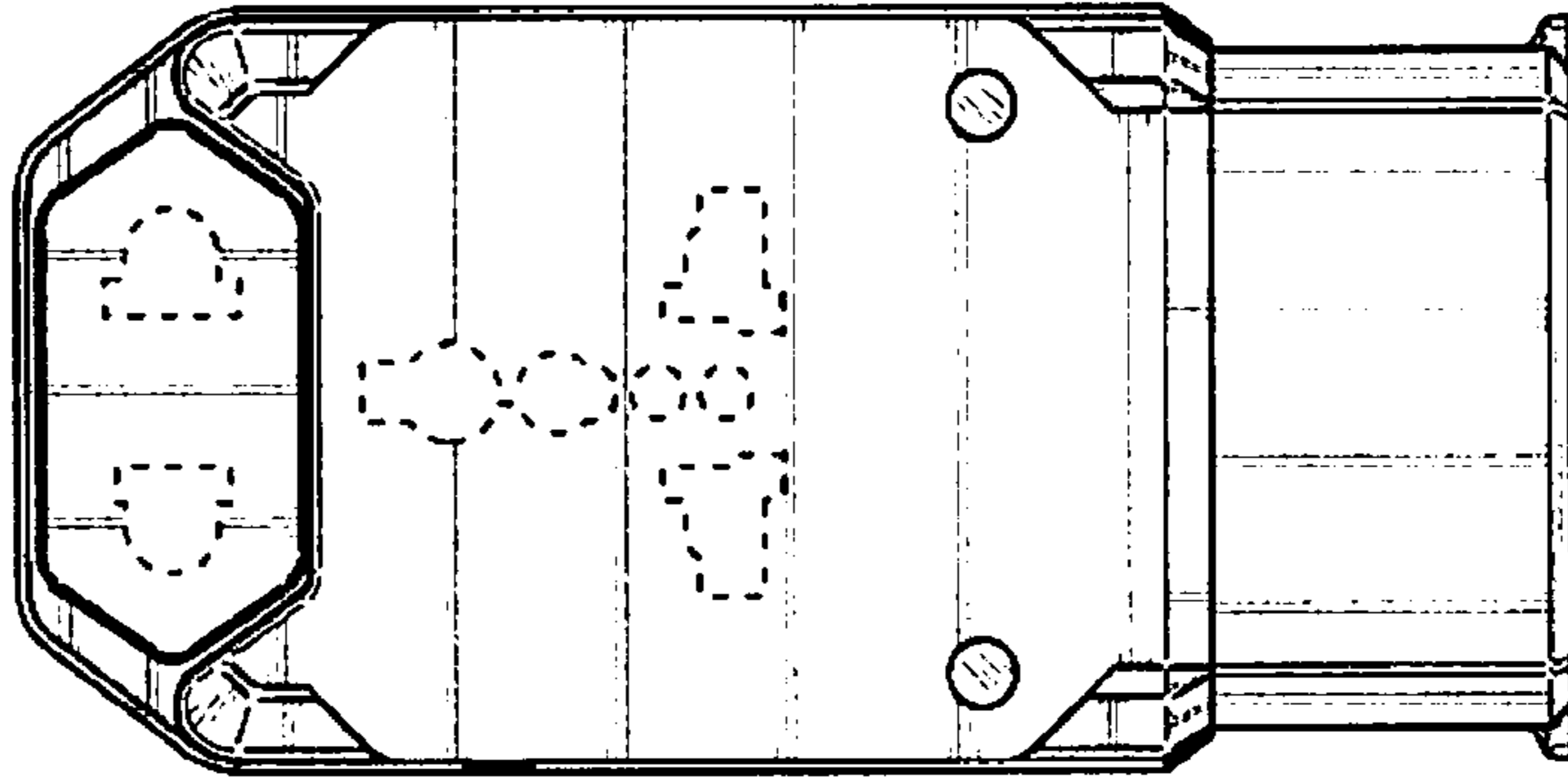


FIG. 4

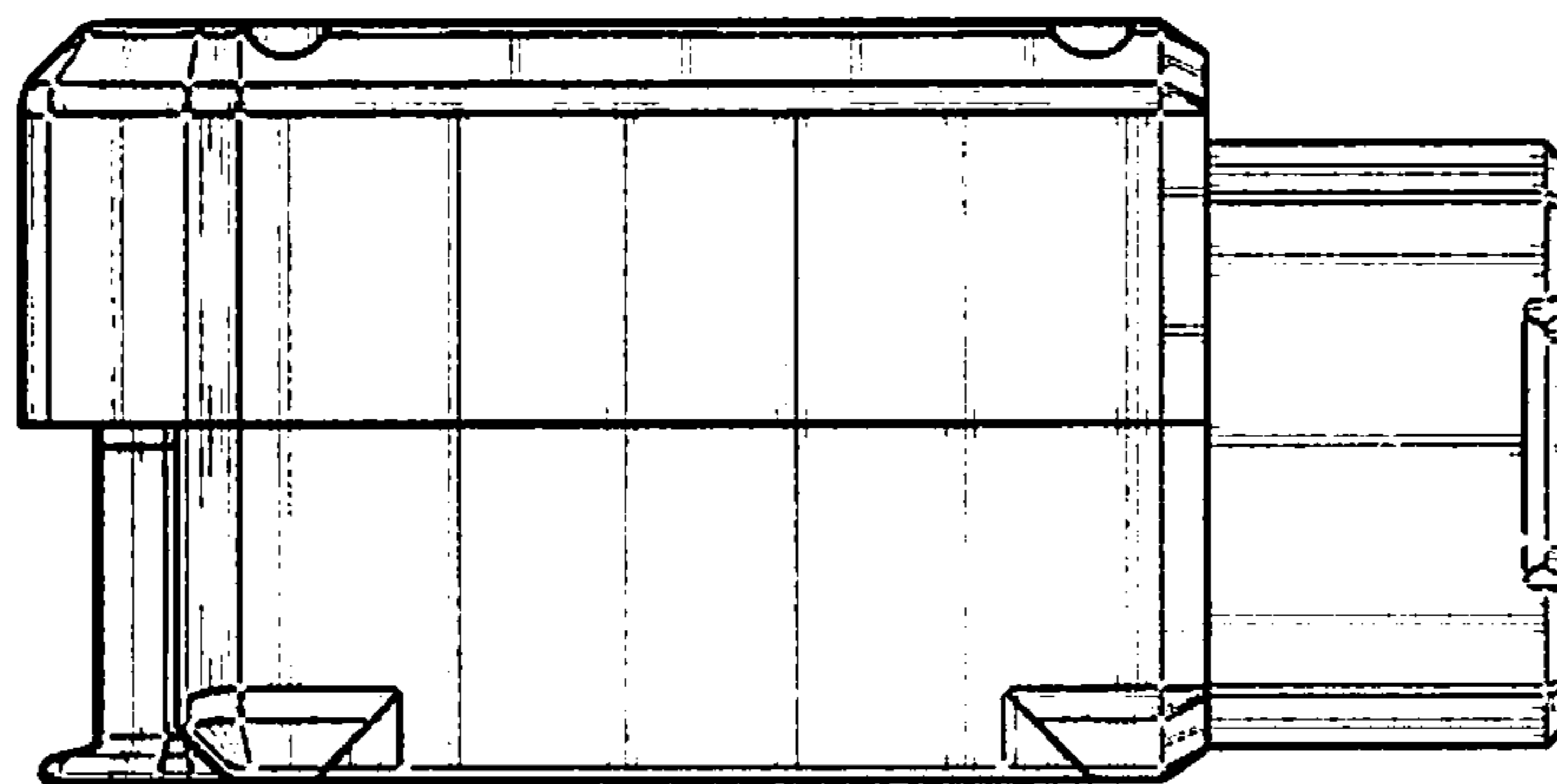


FIG. 6

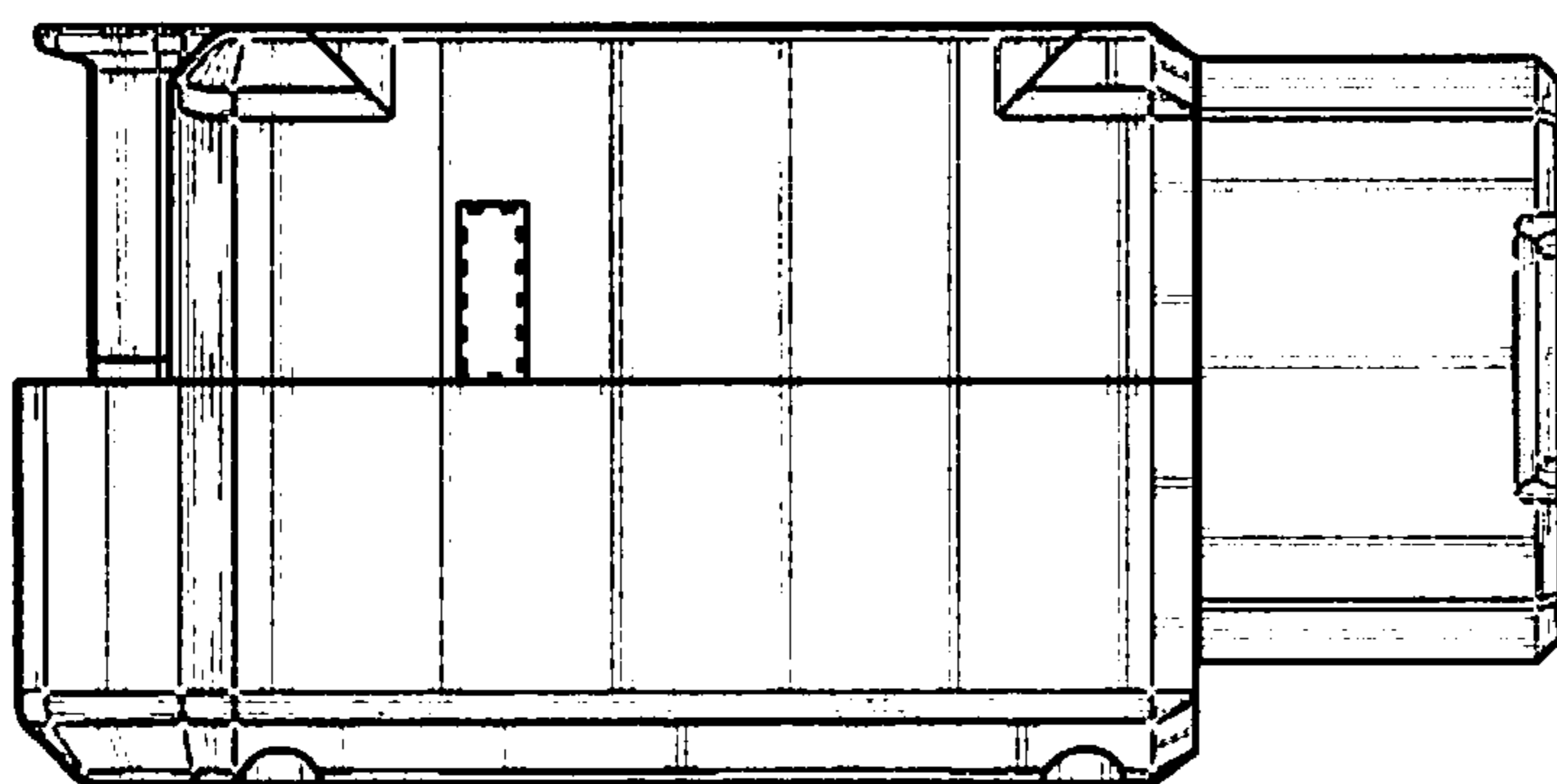


FIG. 5

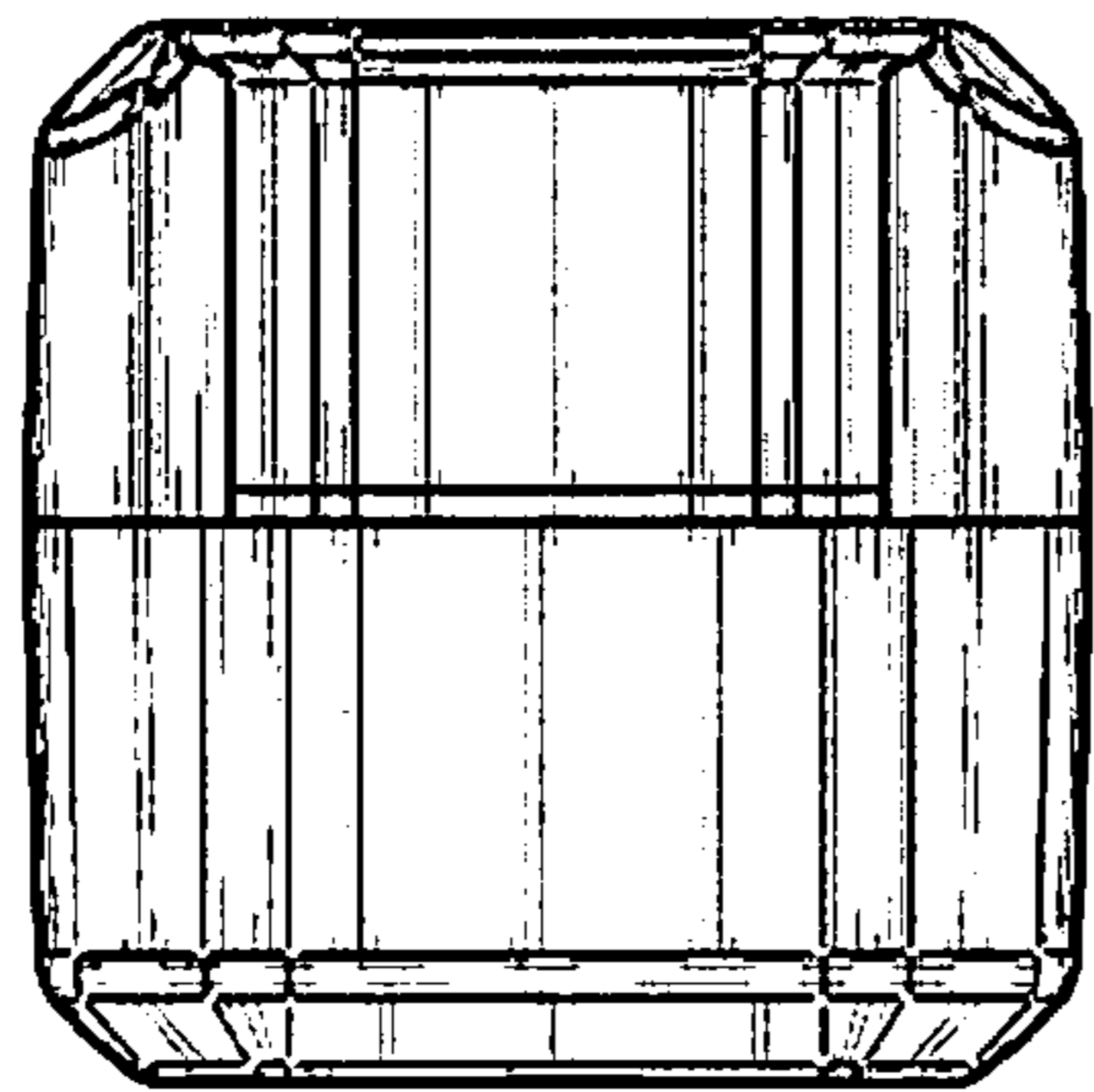


FIG. 7

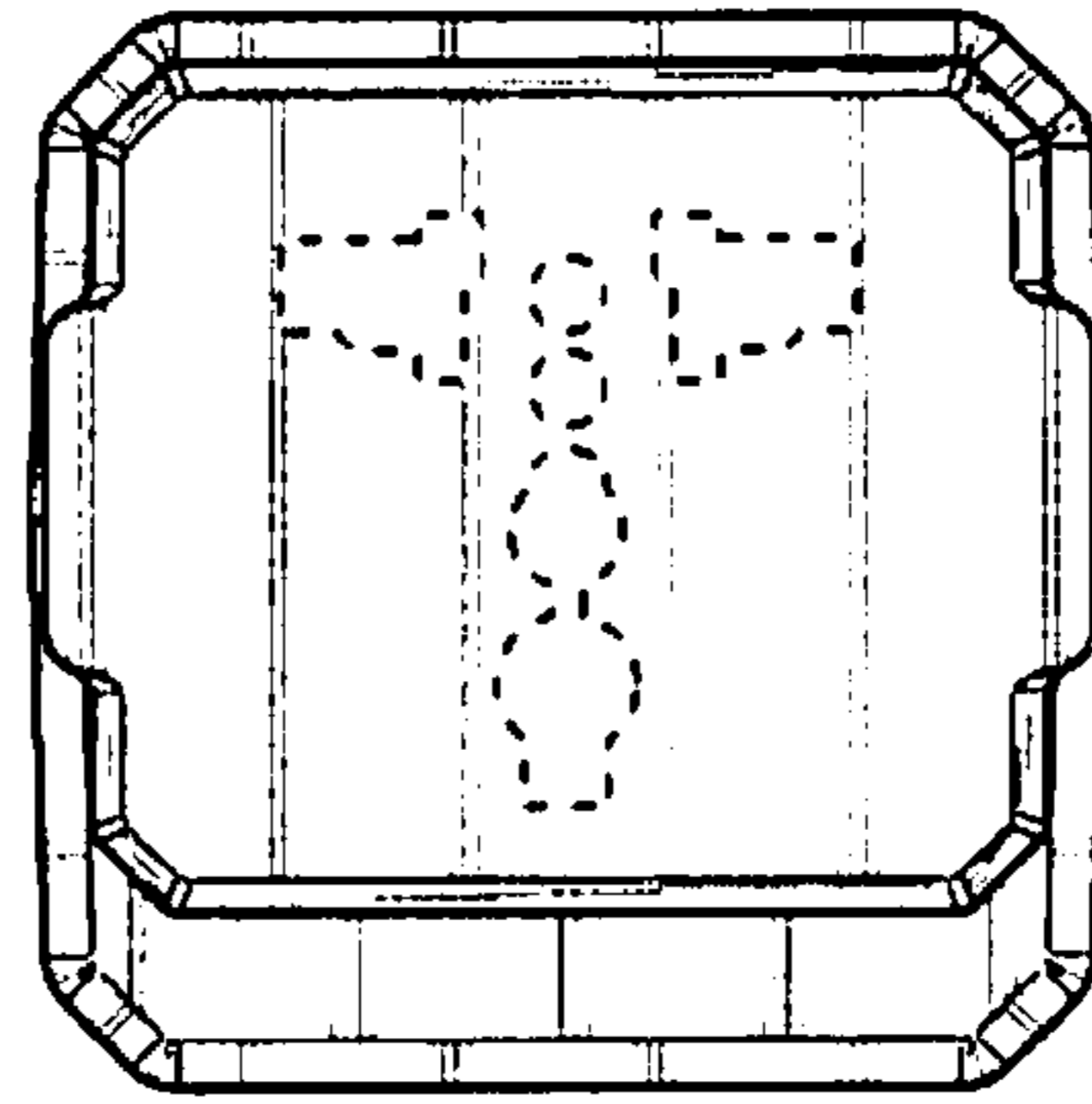


FIG. 8