



US00D701832S

(12) **United States Design Patent**
Drew et al.

(10) **Patent No.:** **US D701,832 S**
(45) **Date of Patent:** **** Apr. 1, 2014**

(54) **VEHICLE REFLASHING AND DIAGNOSTICS
PASS THROUGH DEVICE**

D562,263 S * 2/2008 Tsai D13/162
D630,591 S * 1/2011 Garcia De Vicuna D13/152
D675,568 S * 2/2013 Drew et al. D13/133
2006/0183353 A1* 8/2006 Butcher 439/35

(71) Applicant: **Drew Technologies, Inc.**, Ann Arbor, MI
(US)

* cited by examiner

(72) Inventors: **Michael Drew**, Dexter, MI (US); **Brian
Herron**, Dexter, MI (US)

Primary Examiner — Stella Reid
Assistant Examiner — Khawaja Anwar

(73) Assignee: **Drew Technologies, Inc.**, Ann Arbor, MI
(US)

(74) *Attorney, Agent, or Firm* — Brinks Gilson & Lione

(**) Term: **14 Years**

(57) **CLAIM**

The ornamental design for a vehicle reflashing and diagnostics pass through device, as shown and described.

(21) Appl. No.: **29/435,677**

DESCRIPTION

(22) Filed: **Oct. 26, 2012**

(51) **LOC (10) Cl.** **13-03**

(52) **U.S. Cl.**
USPC **D13/133**

(58) **Field of Classification Search**
USPC D13/133, 154, 184, 199; 340/438, 439;
439/34, 35

See application file for complete search history.

FIG. 1 is a front perspective view of a vehicle reflashing and diagnostics pass through device showing our new design; FIG. 2 is rear perspective view thereof; FIG. 3 is a top view thereof; FIG. 4 is a front view thereof; FIG. 5 is a left side view thereof; FIG. 6 is a rear view thereof; FIG. 7 is a right side view thereof; and, FIG. 8 is a bottom view thereof.

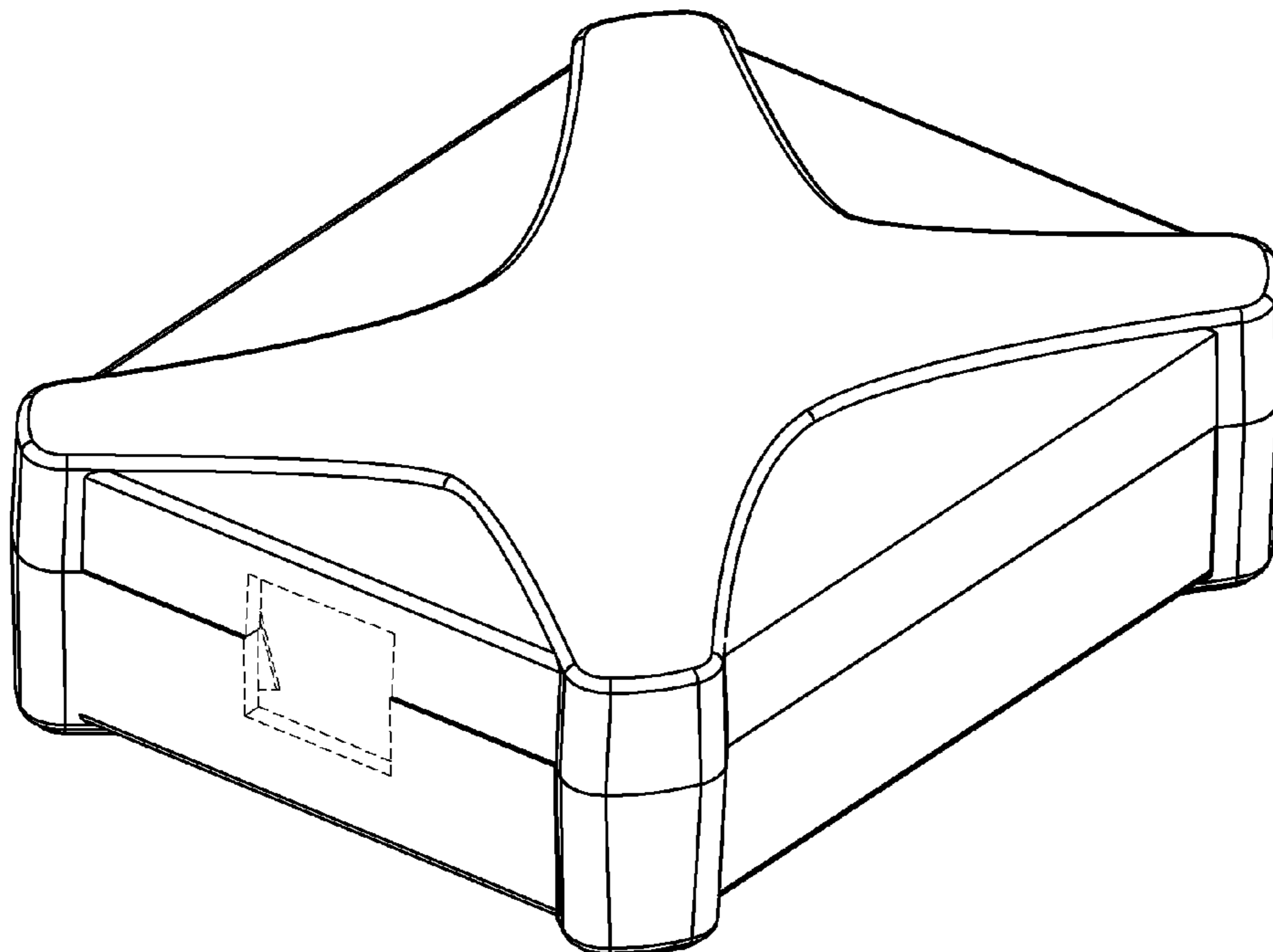
The broken line portion in the figure drawing views is included for the purpose of illustrating environment and forms no part of the claimed design.

(56) **References Cited**

U.S. PATENT DOCUMENTS

D413,893 S * 9/1999 Luzbetak et al. D14/240
D424,528 S * 5/2000 Dernehl D13/184

1 Claim, 4 Drawing Sheets



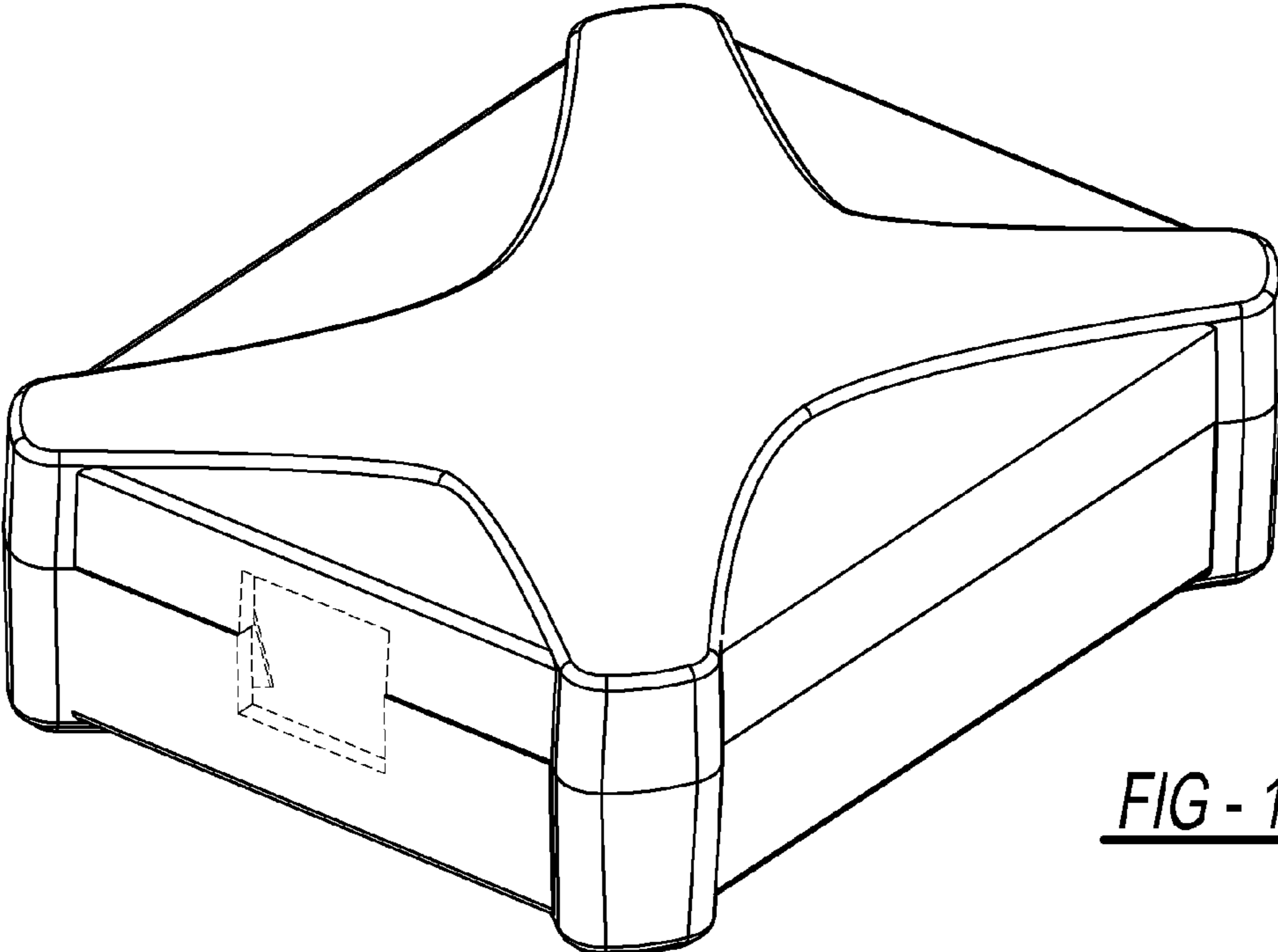


FIG - 1

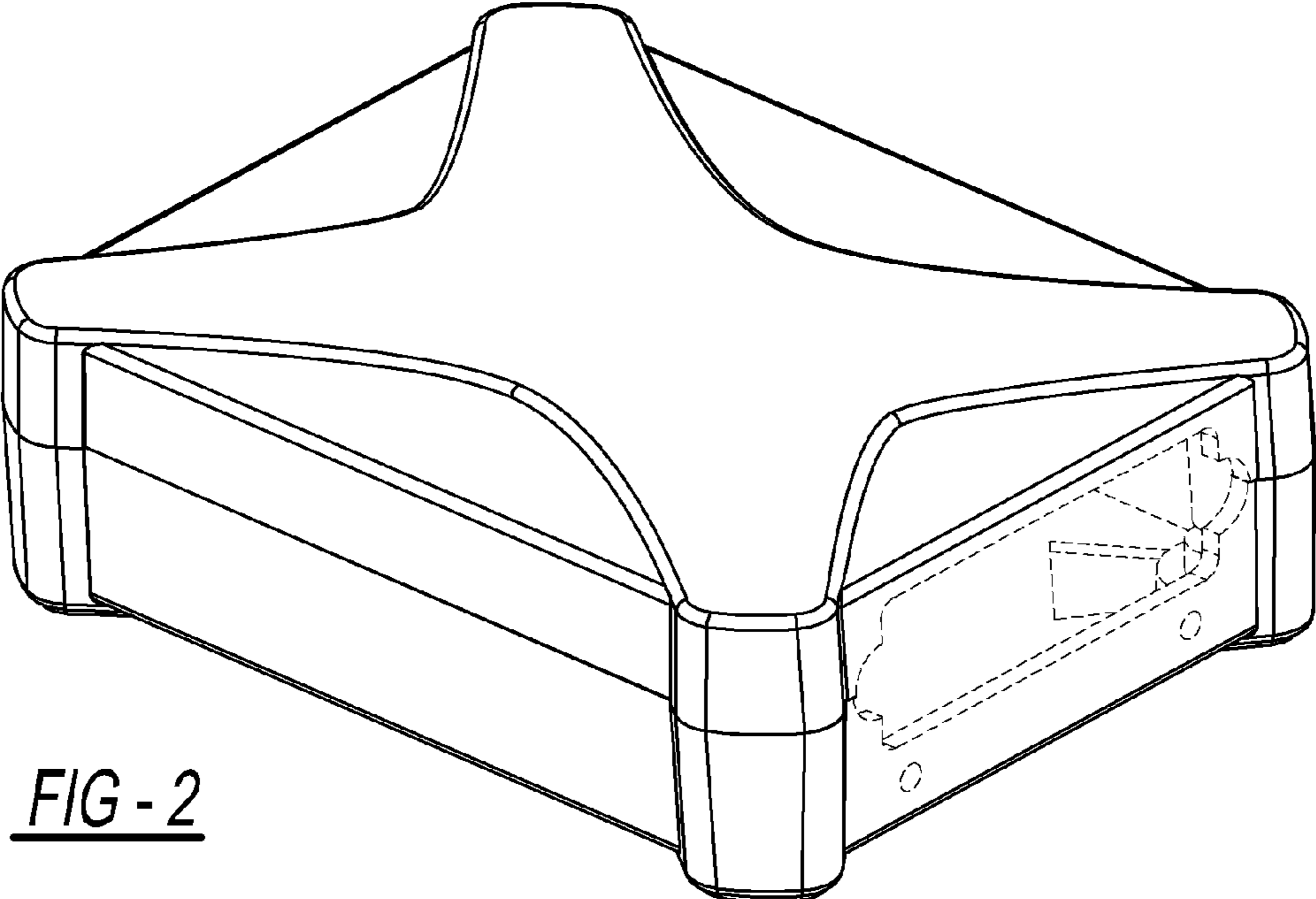


FIG - 2

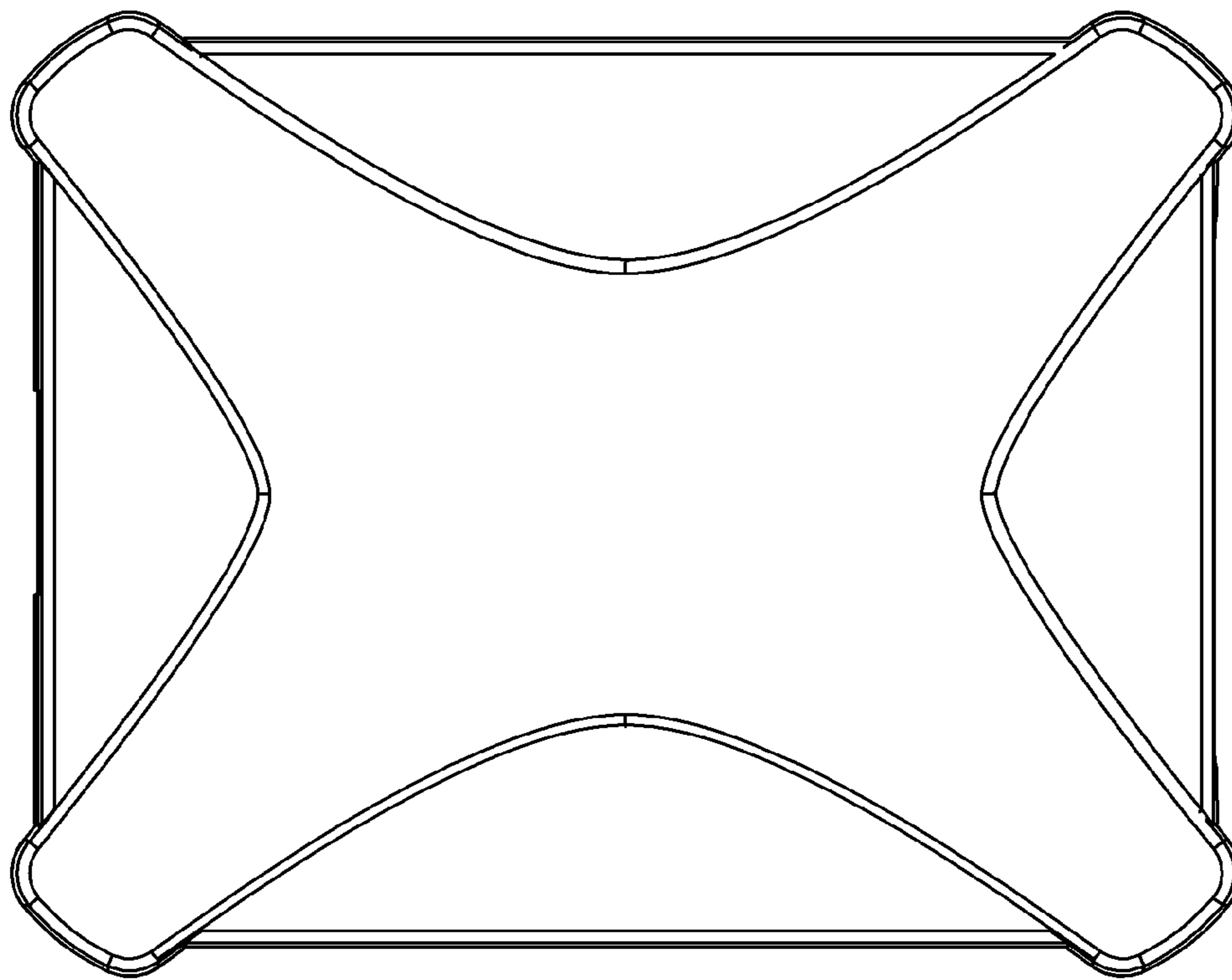


FIG - 3

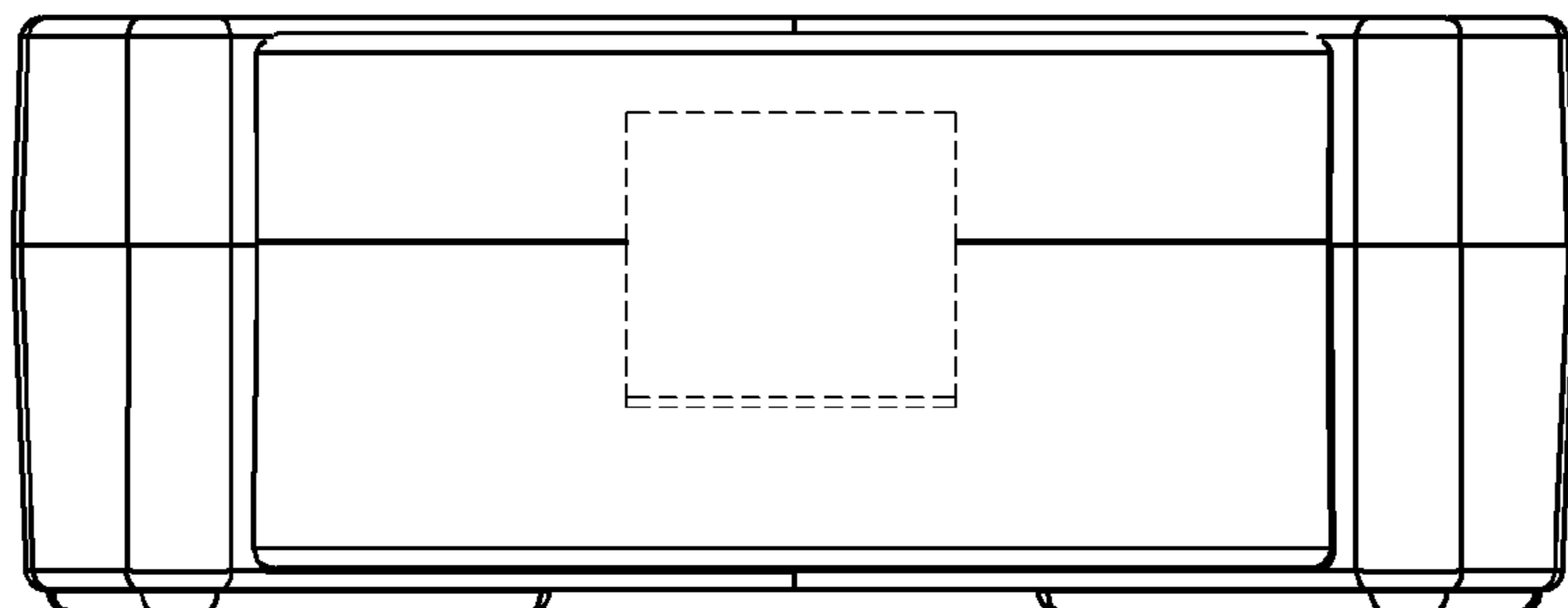


FIG - 4

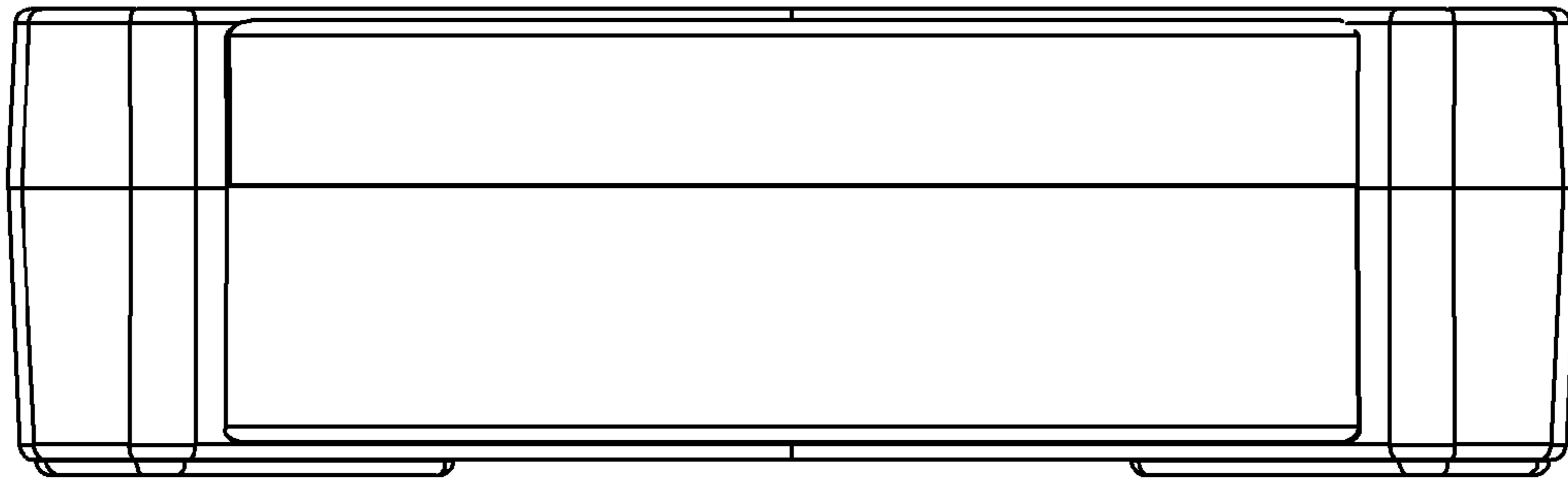


FIG - 5

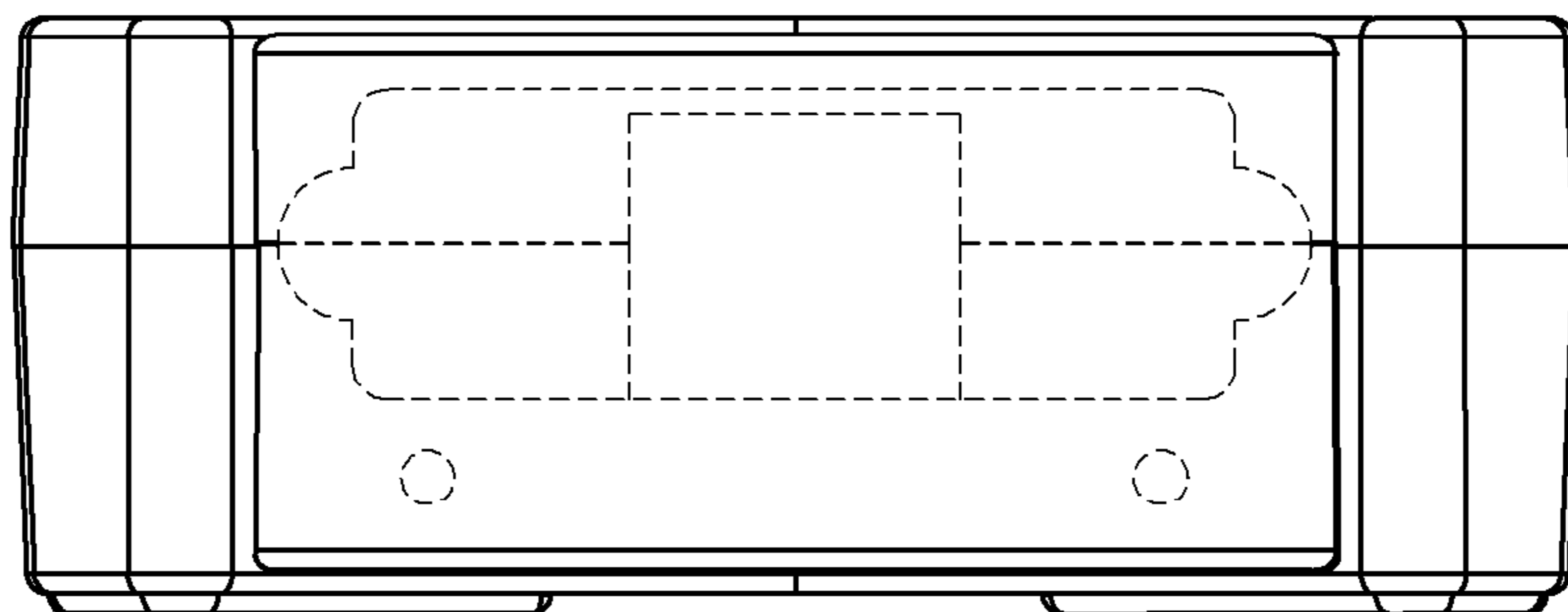


FIG - 6

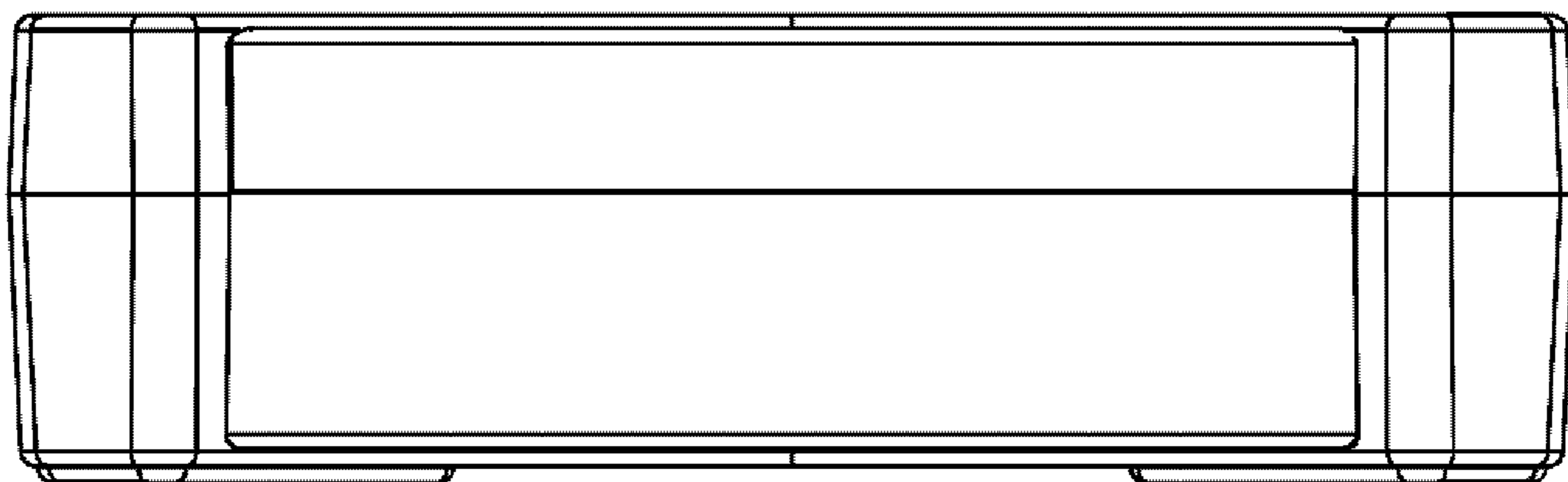


FIG - 7

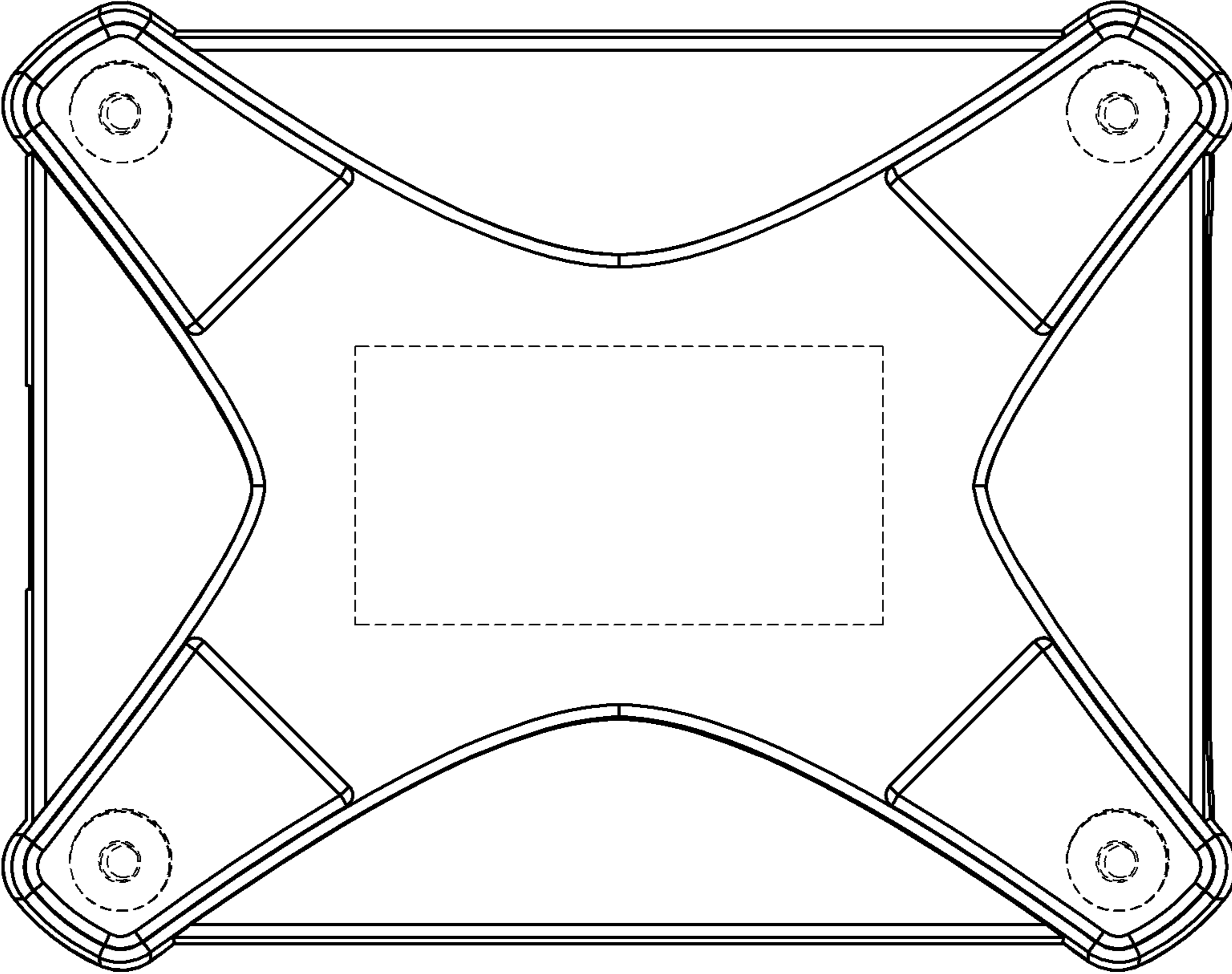


FIG - 8