



US00D701831S

(12) **United States Design Patent**
Park et al.

(10) **Patent No.:** **US D701,831 S**

(45) **Date of Patent:** **** Apr. 1, 2014**

(54) **WIRELESS CHARGER FOR CELLULAR PHONE**

(71) Applicant: **LG Electronics Inc.**, Seoul (KR)

(72) Inventors: **Seala Park**, Gyeonggi-do (KR);
Byunghyun Yi, Seoul (KR); **Hyunwoo Yoo**, Seoul (KR); **Cheolwoong Shin**, Gyeonggi-do (KR)

(73) Assignee: **LG Electronics Inc.**, Seoul (KR)

(**) Term: **14 Years**

(21) Appl. No.: **29/461,587**

(22) Filed: **Jul. 25, 2013**

(51) **LOC (10) Cl.** **13-02**

(52) **U.S. Cl.**
USPC **D13/108**

(58) **Field of Classification Search**
USPC D13/107-110, 118-119, 184, 199;
D14/251, 253, 432, 434; 320/107-115
See application file for complete search history.

(56) **References Cited**

U.S. PATENT DOCUMENTS

| | | | | |
|--------------|---------|----------------|-------|---------|
| D96,018 S * | 6/1935 | Cannon | | D14/251 |
| D482,653 S * | 11/2003 | Cho | | D13/110 |
| D521,927 S * | 5/2006 | Franck et al. | | D13/108 |
| D524,282 S * | 7/2006 | Beasley et al. | | D14/149 |
| D527,704 S * | 9/2006 | Rodarte | | D13/108 |
| D537,409 S * | 2/2007 | Suzuki | | D13/108 |
| D575,289 S * | 8/2008 | Kuo et al. | | D14/434 |
| D585,898 S * | 2/2009 | Skurdal | | D14/434 |
| D594,404 S * | 6/2009 | Kuo et al. | | D13/107 |
| D608,277 S * | 1/2010 | Cano et al. | | D13/108 |
| D609,636 S * | 2/2010 | Jensen | | D13/108 |

| | | | | |
|--------------|---------|---------------------|-------|---------|
| D620,884 S * | 8/2010 | Lee et al. | | D13/108 |
| D625,262 S * | 10/2010 | Lee et al. | | D13/118 |
| D627,718 S * | 11/2010 | Houghton | | D13/108 |
| D640,248 S * | 6/2011 | Baumann et al. | | D14/253 |
| D654,431 S * | 2/2012 | Stephanchick et al. | | D13/108 |
| D656,895 S * | 4/2012 | Fitch | | D13/108 |
| D659,093 S * | 5/2012 | Schmid et al. | | D13/108 |
| D669,432 S * | 10/2012 | Park | | D13/108 |
| D687,437 S * | 8/2013 | Hagenauer | | D14/434 |
| D693,814 S * | 11/2013 | Park | | D14/434 |
| D694,228 S * | 11/2013 | Richter | | D14/253 |

OTHER PUBLICATIONS

Article from The Verge Internet site, Google's Wireless Charging Orb for Nexus 4 takes inspiration from Palm's Touchstone, Oct. 29, 2012, printed from url <http://www.theverge.com/2012/10/29/3569230/google-wireless-charging-orb-touchstone-qi>.

* cited by examiner

Primary Examiner — Rosemary K Tarcza

(74) *Attorney, Agent, or Firm* — Morgan, Lewis & Bockius LLP

(57) **CLAIM**

The ornamental design for a wireless charger for cellular phone, as shown and described.

DESCRIPTION

FIG. 1 is a front, right side, perspective view of a wireless charger for cellular phone showing our new design;
FIG. 2 is a front view thereof;
FIG. 3 is a rear view thereof;
FIG. 4 is a left side view thereof;
FIG. 5 is a right side view thereof;
FIG. 6 is a top view thereof; and,
FIG. 7 is a bottom view thereof.

1 Claim, 4 Drawing Sheets

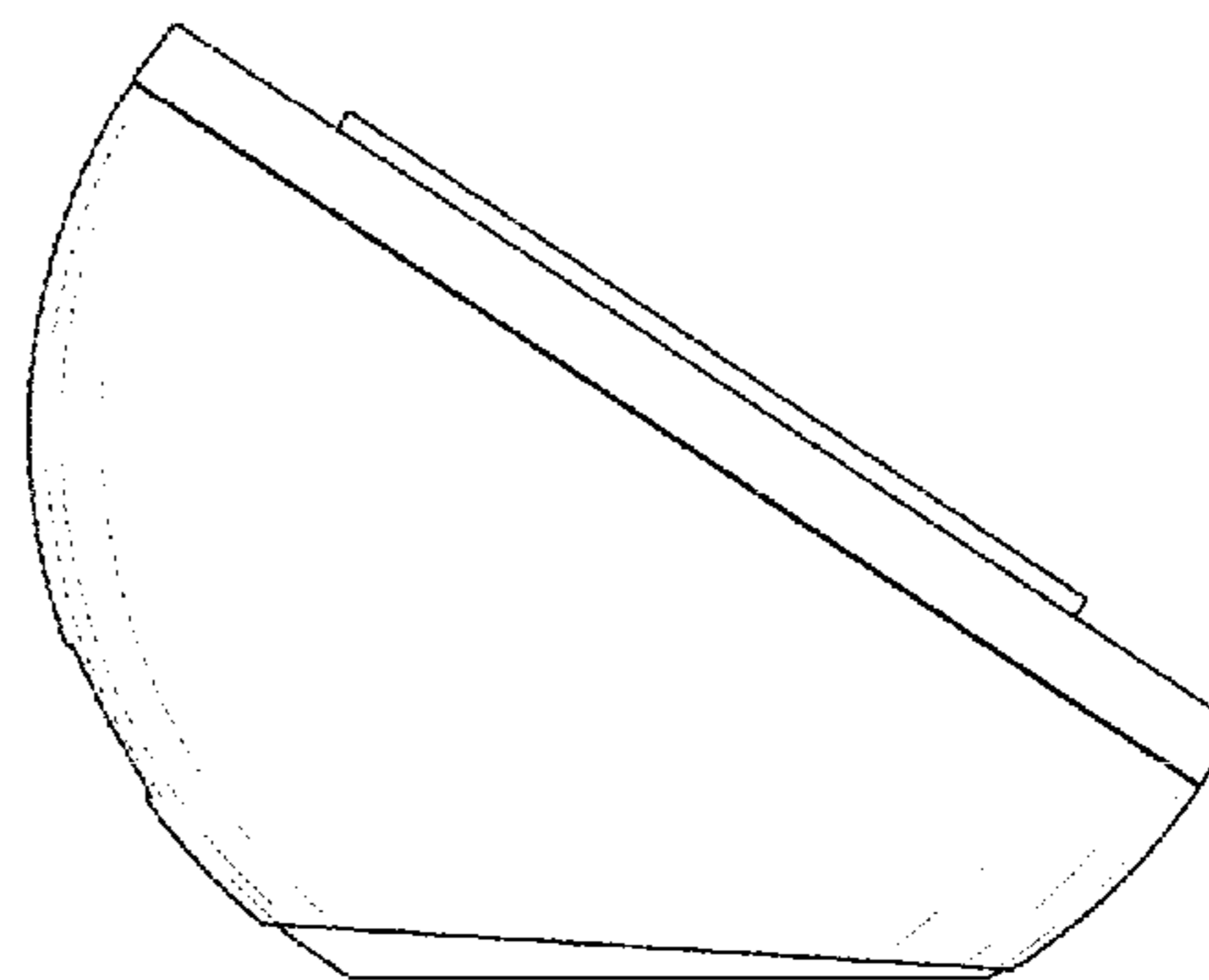
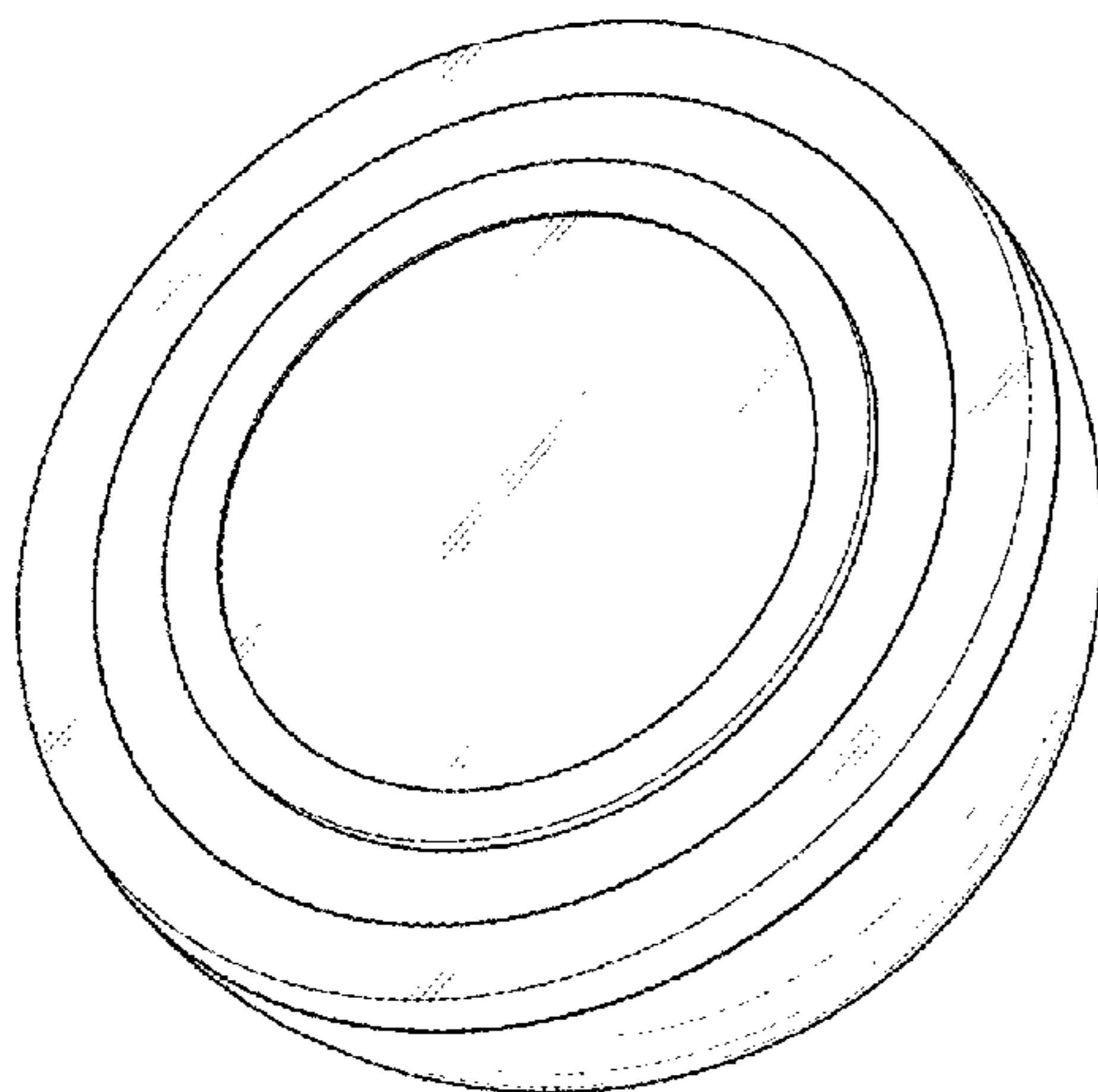


FIG. 1

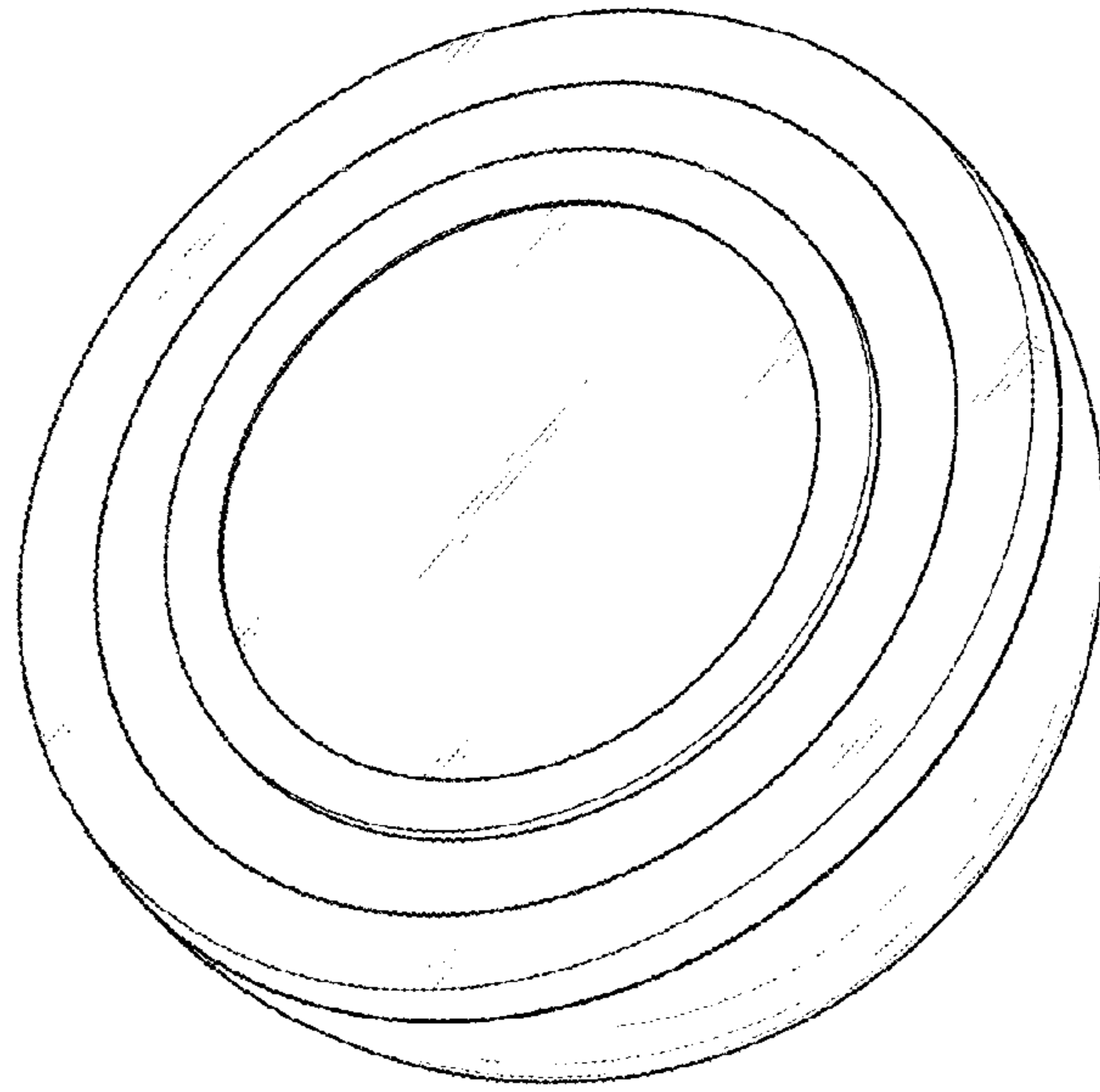


FIG. 2

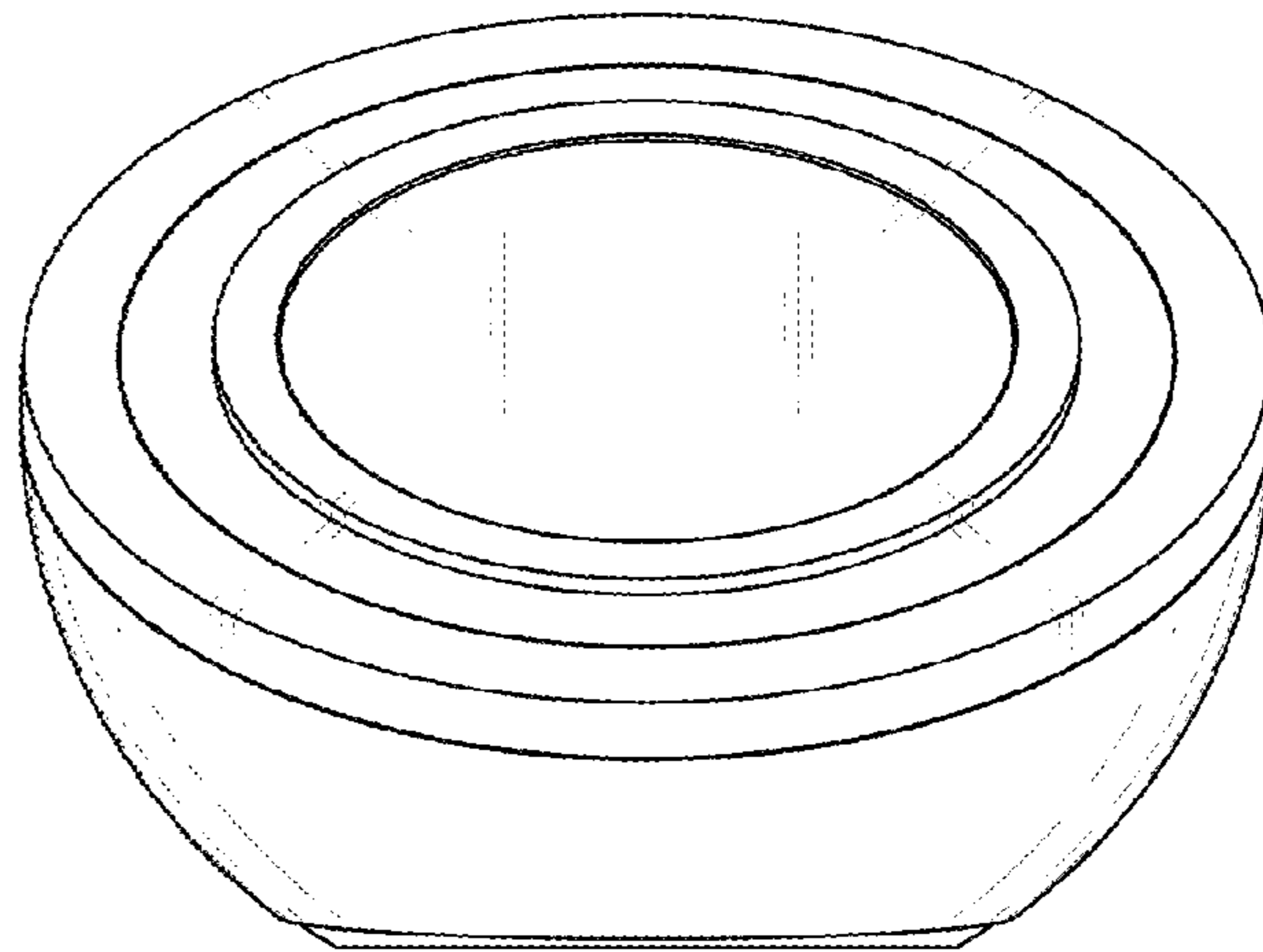


FIG. 3

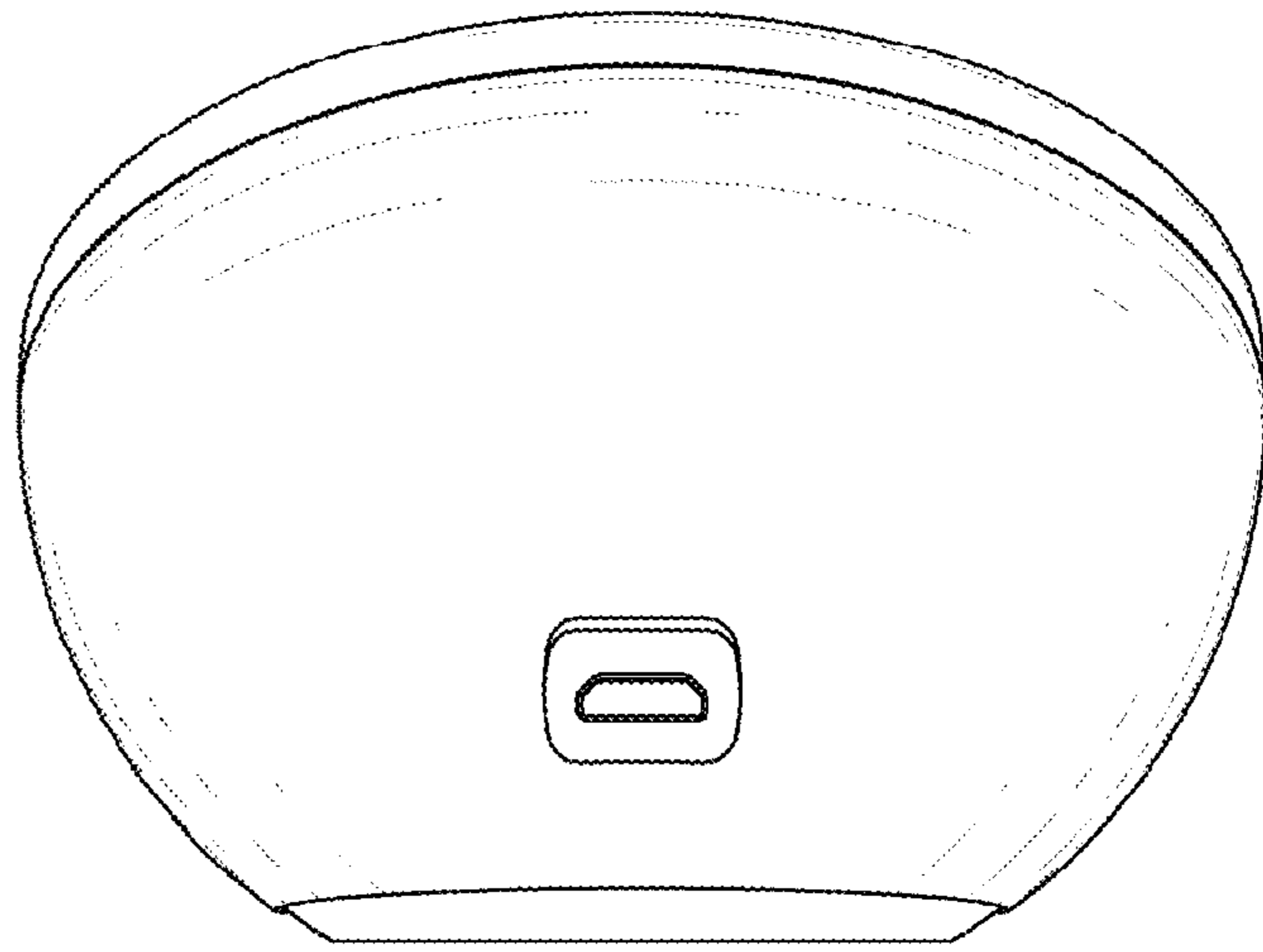


FIG. 4

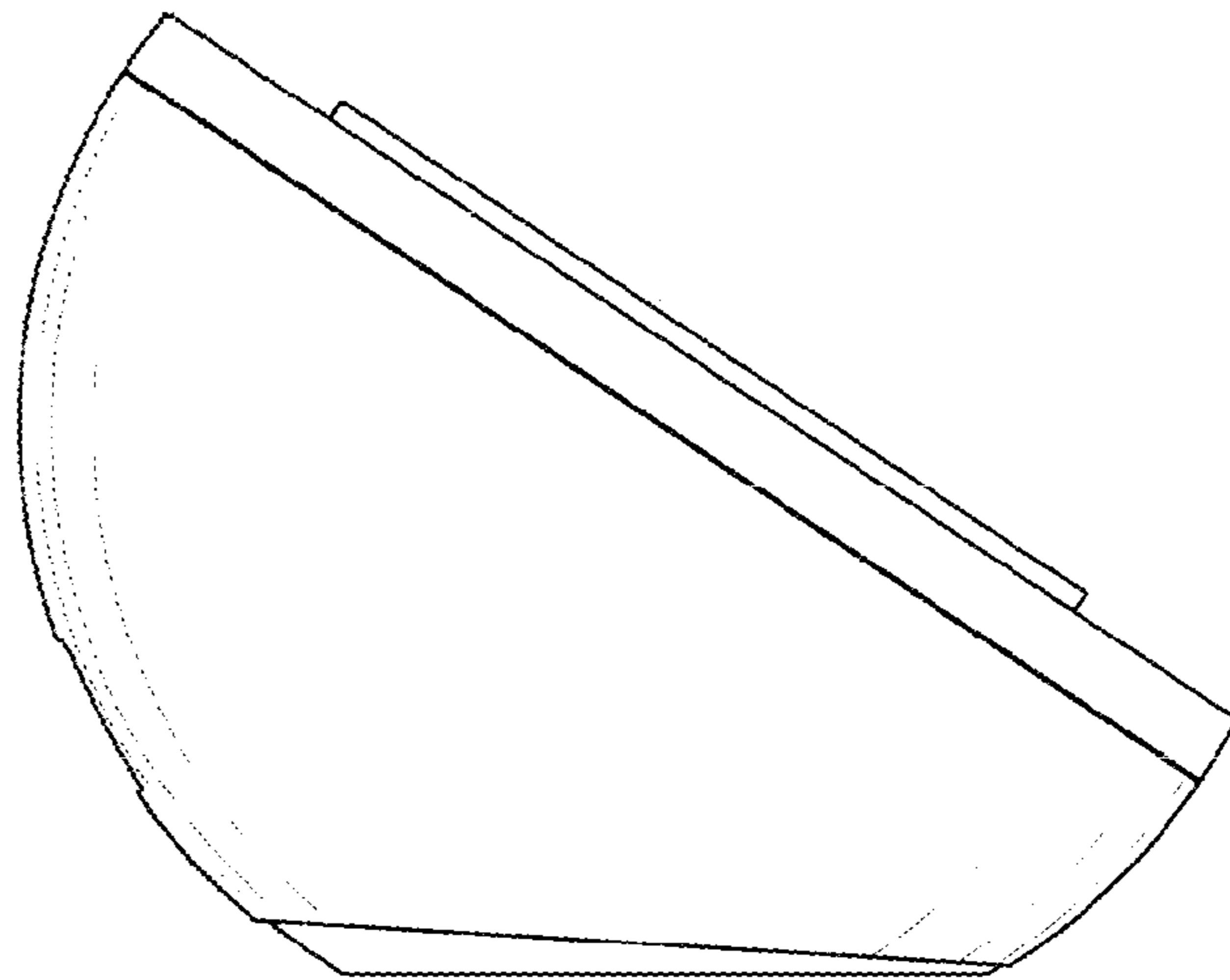


FIG. 5

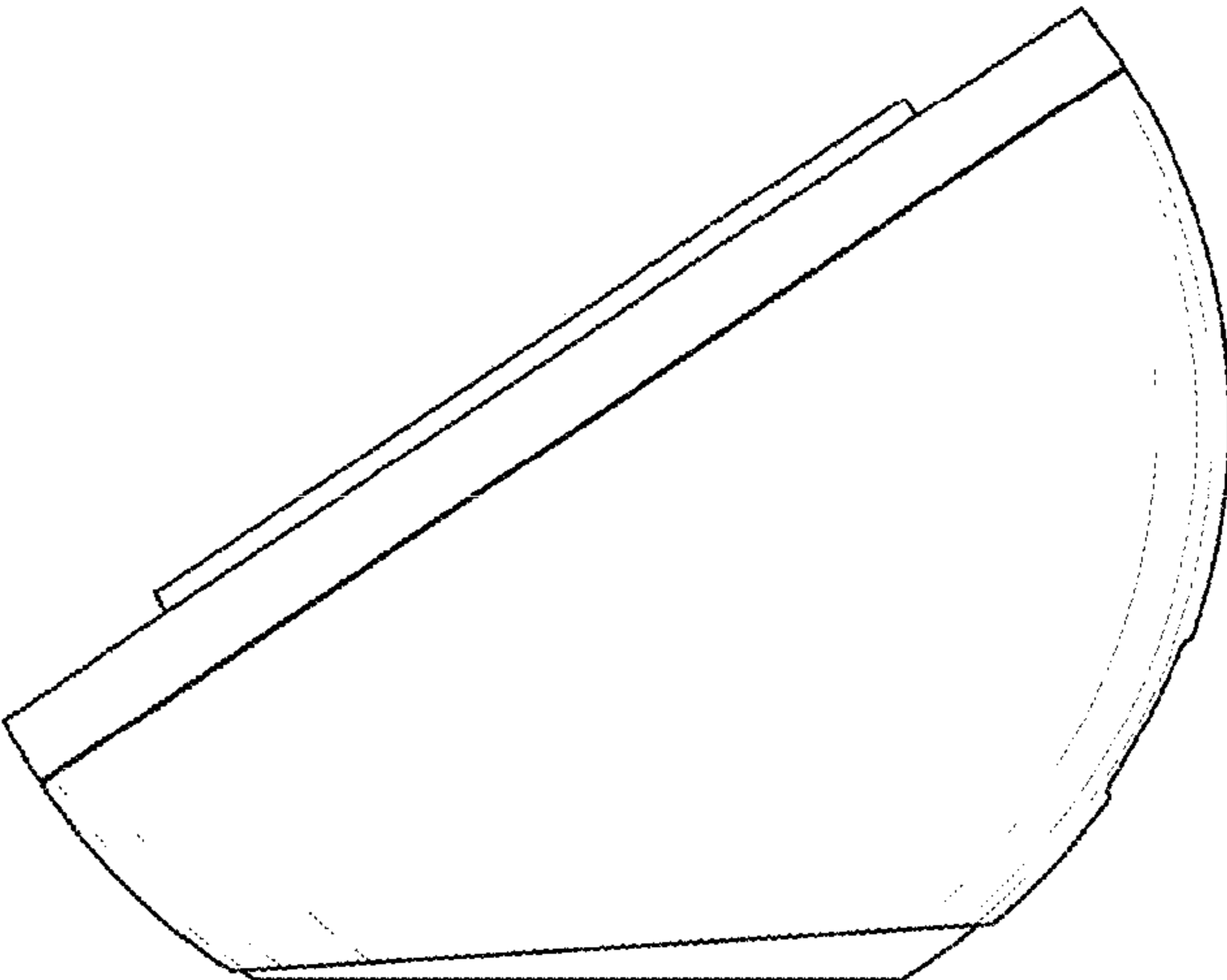


FIG. 6

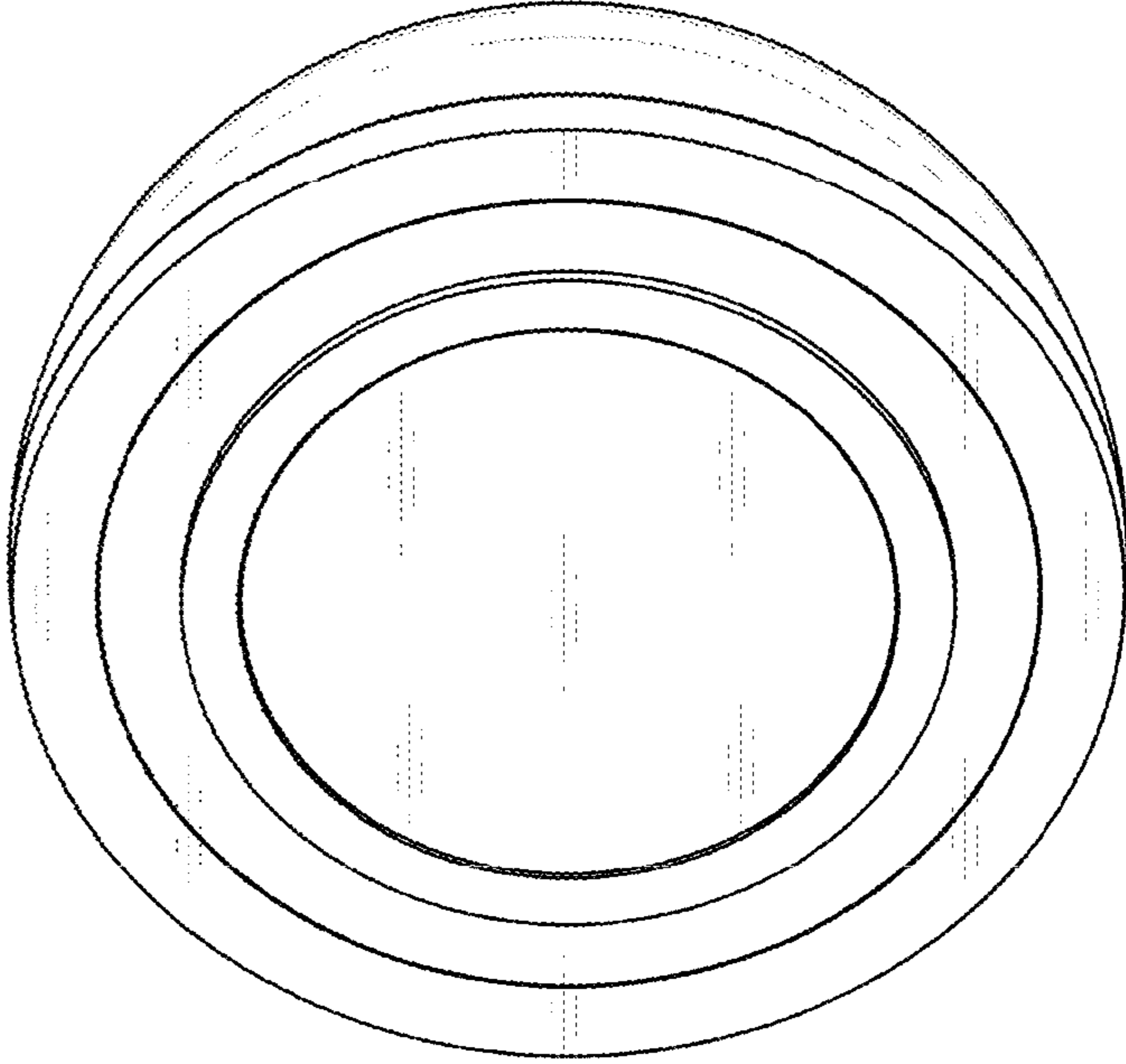


FIG. 7

