



US00D701830S

(12) **United States Design Patent**
Edwards

(10) **Patent No.:** **US D701,830 S**
(45) **Date of Patent:** **** Apr. 1, 2014**

- (54) **BATTERY CHARGING STATION**
- (71) Applicant: **PC Treasures, Inc.**, Oxford, MI (US)
- (72) Inventor: **Jon Edwards**, San Jose, CA (US)
- (73) Assignee: **PC Treasures, Inc.**, Oxford, MI (US)
- (**) Term: **14 Years**
- (21) Appl. No.: **29/440,536**
- (22) Filed: **Dec. 21, 2012**
- (51) **LOC (10) Cl.** **13-02**
- (52) **U.S. Cl.**
USPC **D13/107**
- (58) **Field of Classification Search**
USPC D13/107–110, 118–119, 184, 199;
D14/217, 251, 253, 432, 434;
320/107–115
See application file for complete search history.

(56) **References Cited**

U.S. PATENT DOCUMENTS

D278,702	S	*	5/1985	Chiodo et al.	D13/107
D278,703	S	*	5/1985	Chiodo et al.	D13/107
5,057,761	A	*	10/1991	Felegyhazi, Sr.	320/110
D339,563	S	*	9/1993	Usami	D13/107
D358,363	S	*	5/1995	Usami	D13/107
D375,934	S	*	11/1996	Rosen et al.	D13/107
5,686,811	A	*	11/1997	Bushong et al.	320/110
D478,557	S	*	8/2003	Pfeiffer	D13/107
D511,493	S	*	11/2005	Luneau	D13/108
D544,437	S	*	6/2007	Hussaini et al.	D13/107

OTHER PUBLICATIONS

<http://www.google.com/imgres?start=113&um=1&hl=en&client=firefox-a&tbo=d&rls=org.mozilla:en-US:official&biw=1360&bih=611&tbm=isch&tbnid=CyHkJCQBx30NeM:&imgrefurl=http://www.aliexpress.com/item/NEW-12000mAh-2-USB-output-portable-charger-power-bank-for-Google-nexus-7-iphone-ipad-ipod/606019376.html&docid=6AV7hgU2sewmWM&imgurl=>

<http://i01.i.aliimg.com/wsphoto/v0/560792125/5pcs-Free-ship-ping-6800mAh-backup-charger-with-two-USB-output-Portable-digital-mobile-power-bank-Travel.jpg&w=1112&h=623&ei=TZbLUITNJeeuyaQGI1CwDA&zoom=1&iact=hc&vpx=950&vpy=30&dur=3108&hovh=168&hovw=300&tx=180&ty=99&sig=116113501174515804202&page=5&tbnh=144&tbnw=254&ndsp=32&ved=1t:429,r:19,s:100,i:61>, date accessed Dec. 14, 2012, 1 page.

(Continued)

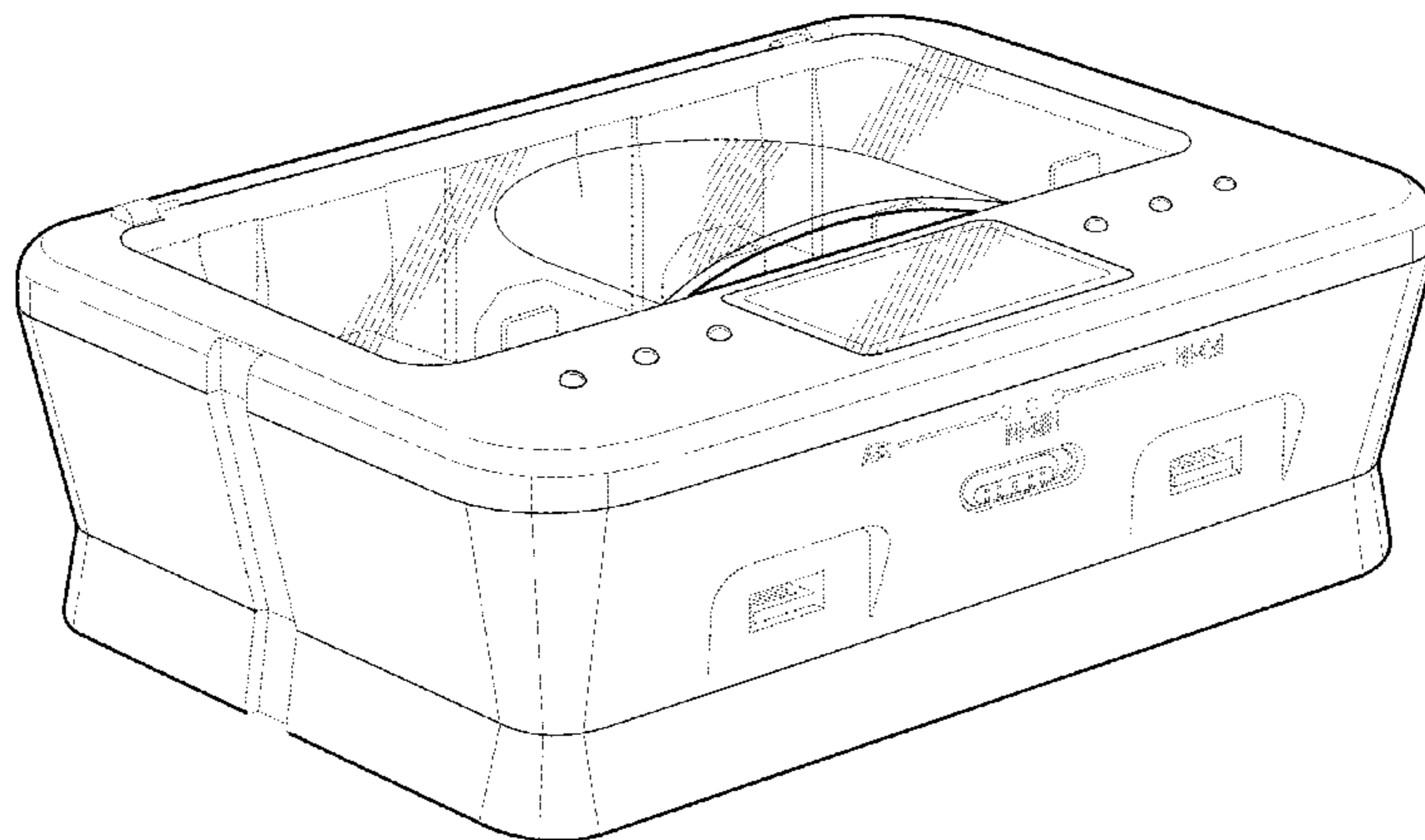
Primary Examiner — Rosemary K Tarcza
(74) *Attorney, Agent, or Firm* — Howard & Howard Attorneys PLLC

(57) **CLAIM**
The ornamental design for a battery charging station, as shown and described.

DESCRIPTION

FIG. 1 is a perspective view of a battery charging station, showing a recess for receiving batteries to charge the batteries, a lid covering the recess, and interfaces for connecting to external components to charge the batteries of the external components in broken lines;
FIG. 2 is a front view of the battery charging station, showing the interfaces and a switch for choosing between different battery types in broken lines;
FIG. 3 is a rear view of the battery charging station;
FIG. 4 is a left side view of the battery charging station;
FIG. 5 is a right side view of the battery charging station, showing an interface for receiving an external power cord in broken lines;
FIG. 6 is a top view of the battery charging station, showing the recess, indicator lights, and a screen in broken lines;
FIG. 7 is a bottom view of the battery charging station; and, FIG. 8 is a perspective view of the battery charging station with the lid in an open position.
The broken lines shown in the drawings are included for the purpose of illustrating environmental structure and form no part of the claimed design.

1 Claim, 6 Drawing Sheets



(56)

References Cited

OTHER PUBLICATIONS

http://www.google.com/imgres?start=416&um=1&hl=en&client=firefox-a&tbo=d&rls=org.mozilla:en-US:official&biw=1360&bih=611&tbn=isch&tbnid=BPYCWXLYe_wOiM:&imgrefurl=http://ios.web.cern.ch/aggregator/categories/2&docid=kTBdjQjtkE1VHM&imgurl=http://the-gadgeteer.com/wp-content/uploads/2012/11/kanex-doubleup-usb-charger-5.jpg&w=1000&h=605&ei=0ZbLUKrECeK5ywGYvIGYAw&zoom=1&iact=hc&vpx=596&vpy=323&dur=2238&hovh=175&hovw=289&tx=223&ty=112&sig=116113501174515804202&page=15&tbnh=141&tbnw=221&ndsp=31&ved=1t:429,r:20,s:400,i:64, date accessed Dec. 14, 2012, 1 page.

<http://www.google.com/imgres?start=123&um=1&hl=en&client=firefox-a&tbo=d&rls=org.mozilla:enUS:official&biw=1360&bih=611&tbn=isch&tbnid=c0WDnitzdRWsHM:&imgrefurl=http://www.bhphotovideo.com/c/buy/iPad-Accessories/ci/16621/pn/4/N/4220238611&docid=COct3t670FNDNM&imgurl=http://static.bhphoto.com/images/images150x150/860150.jpg&w=150&h=150&ei=3ZLLULG GpLLyAGao4G1Dg&zoom=1&iact=hc&vpx=1041&vpy=190&dur=110&hovh=120&hovw=120&tx=100&ty=50&sig=116113501174515804202&p=5&tbnh=120&tbnw=120&ndsp=32&ved=1t:429,r:28,s:100,i:88>, date accessed.

http://www.google.com/imgres?start=279&um=1&hl=en&client=firefox-a&tbo=d&rls=org.mozilla:enUS:official&biw=1360&bih=611&tbn=isch&tbnid=bzQqC-xD7 Fj Elm :&imgrefurl=http://e.5thvillage.com/item/or-Samsung-Galaxy-Tab-730-8-9-in230828922105/&docid=RbjlicMm7AmFIEM&imgurl=http://i.ebayimg.com/00/s/NDg3WDc2MA%253D%253D%2524T2eC16FHJHQE9nzEyH I-BOSIF6N%2811-60_1.Jpg&w=400&h=256&ei=D5PLULjHloGHYwHew1C4DA&zoom=1&iact=hc&vpx=4&vpy=186&dur=47&hovh=180&hovw=281&tx=116&ty=60&sig=116113501174515804202&p=10&tbnh=145&tbnw=226&ndsp=32&ved=1t:429,r:87,s:200,i:265, date accessed Dec. 14, 2012, 1 page.

<http://www.google.com/imgres?start=337&um=1&hl=en&client=firefox-a&sa=N&tbo=d&rls=org.mozilla:en-US:official&biw=1360&bih=611&tbn=isch&tbnid=z5kx1D9X5HQkmk&imgrefurl=http://www.thinkcomputers.org/choix-power-fort-5600-portable-battery-charger-review/&docid=AQkiJgA9Q15hTM&imgurl=http://www.t>

http://www.google.com/imgres?start=148&um=1&hl=en&client=firefox-a&sa=N&tbo=d&rls=org.mozilla:en-US:official&biw=1360&bih=611&tbn=isch&tbnid=fs87a1fiV95Em MAimgrefurl=http://yahee.en.alibaba.com/product/466408021-209896228/USB_Portable_Battery_Charger_5000mah_For_Ipod_iPhone_MP3_4_YAP403A.html&docid=ElLRX7qLWYKkM&imgurl=http://i01.i.aliimg.com/photo/v0/4a6408021/USB_Portable_Battery_Charger_5000mah_for_Ipod.jpg&w=420&h=420&ei=ZYLLUMnoCMjgyQGc1YCYQBA&zoom=1&iact=hc&vpx=269&vpy=273&dur=5566&hovh=225&hovw=225&tx=64&ty=152&sig=116113501174515804202&page=6&tbnh=140&tbnw=140&ndsp=32&ved=1t:429,r:74,s:0,i:226, date accessed Dec. 14, 2012, 1 page.

http://www.google.com/imgres?start=549&um=1&hl=en&client=firefox-a&tbo=d&rls=org.mozilla:en-US:official&biw=1360&bih=611&tbn=isch&tbnid=hzZhkFUbQ0jx9M:8ti mgrefurl=http://www.uxcell.com/black-rechargeable-battery-charger-for-nintendo-dslite-usg003-p-22762.html&docid=QqVw5IHLuRwLIM&imgurl=http://media.uxcell.com/uxcell/images/item/catalog/ux_a08070300ux0062_ux_c.jpg&w=600&h=289&ei=9JfLUIWVF7SxygGvh4HwDA&zoom=1&iact=hc&vpx=121&vpy=265&dur=2900&hovh=156&hovw=324&tx=176&ty=102&sig=116113501174515804202&p=19&tbnh=130&tbnw=262&ndsp=31&ved=1t:429,r:66,s:500,i:202, date accessed Dec. 14, 2012, 1 page.

http://www.google.com/imgres?um=1&hl=en&client=firefox-a&tbo=d&rls=org.mozilla:en-US:official&biw=1360&bih=611&tbn=isch&tbnid=rtgBHQiaMPqWJM Ai mgrefurl=http://gadgetsin.com/4-port-usb-hub-doubled-as-cell-phone-charger.htm&docid=t_MR5o0y25L_NM&imgurl=http://gadgetsin.com/uploads/2010/06/4_port_usb_hub_doubled_as_cell_phone_charger_1.jpg&w=600&h=333&ei=a5vLUOajG-2hyAHX54GQAw&zoom=1&iact=hc&vpx=176&vpy=137&dur=3819&hovh=167&hovw=302&tx=219&ty=89&sig=116113501174515804202&page=1&tbnh=133&tbnw=249&start=0&ndsp=23&vec1=1t:429,r:1,s:0,i:90, date accessed Dec. 14, 2012, 1 page.

* cited by examiner

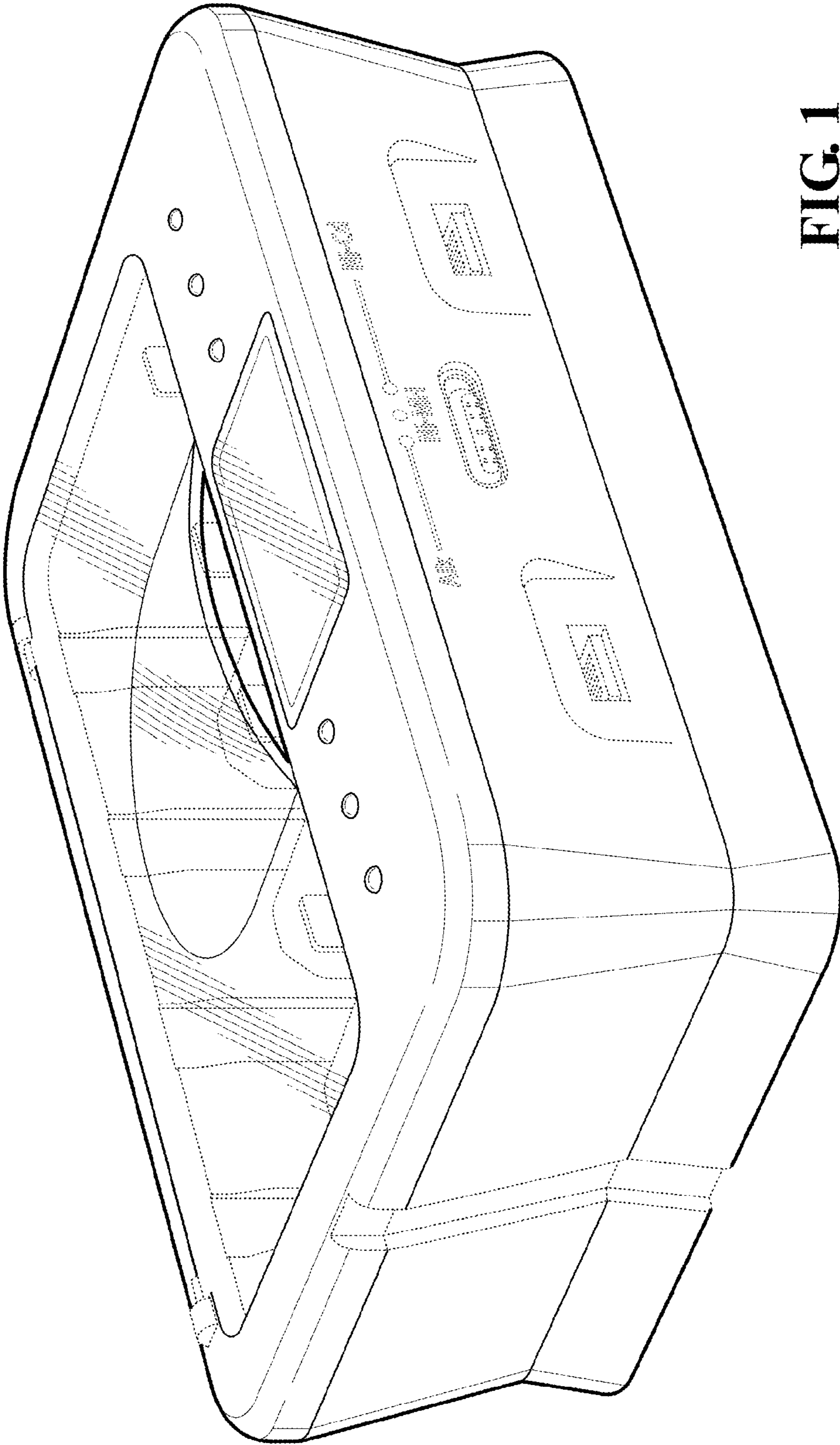


FIG. 1

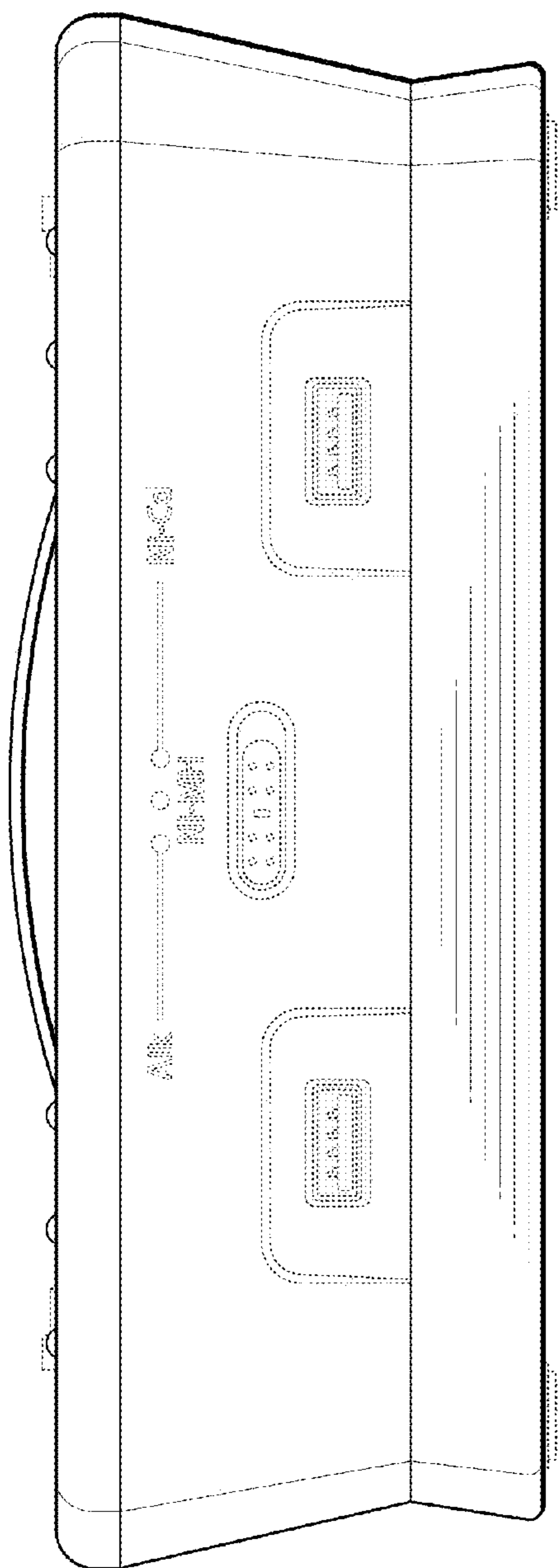


FIG. 2

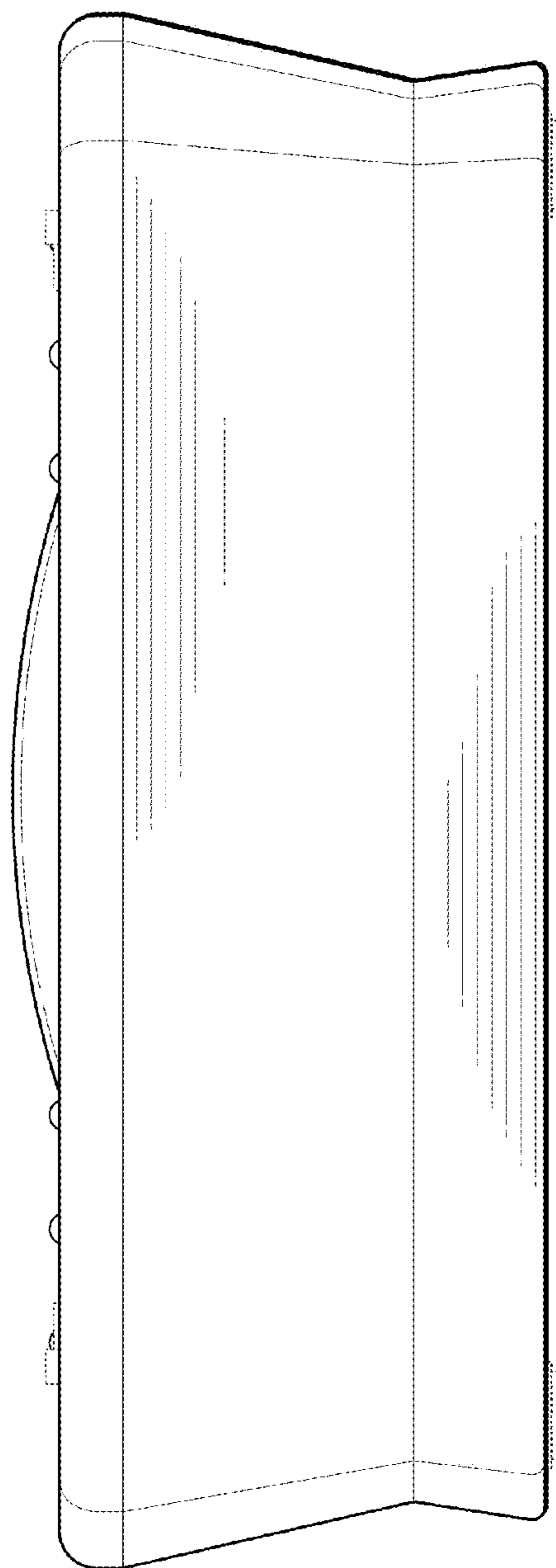


FIG. 3

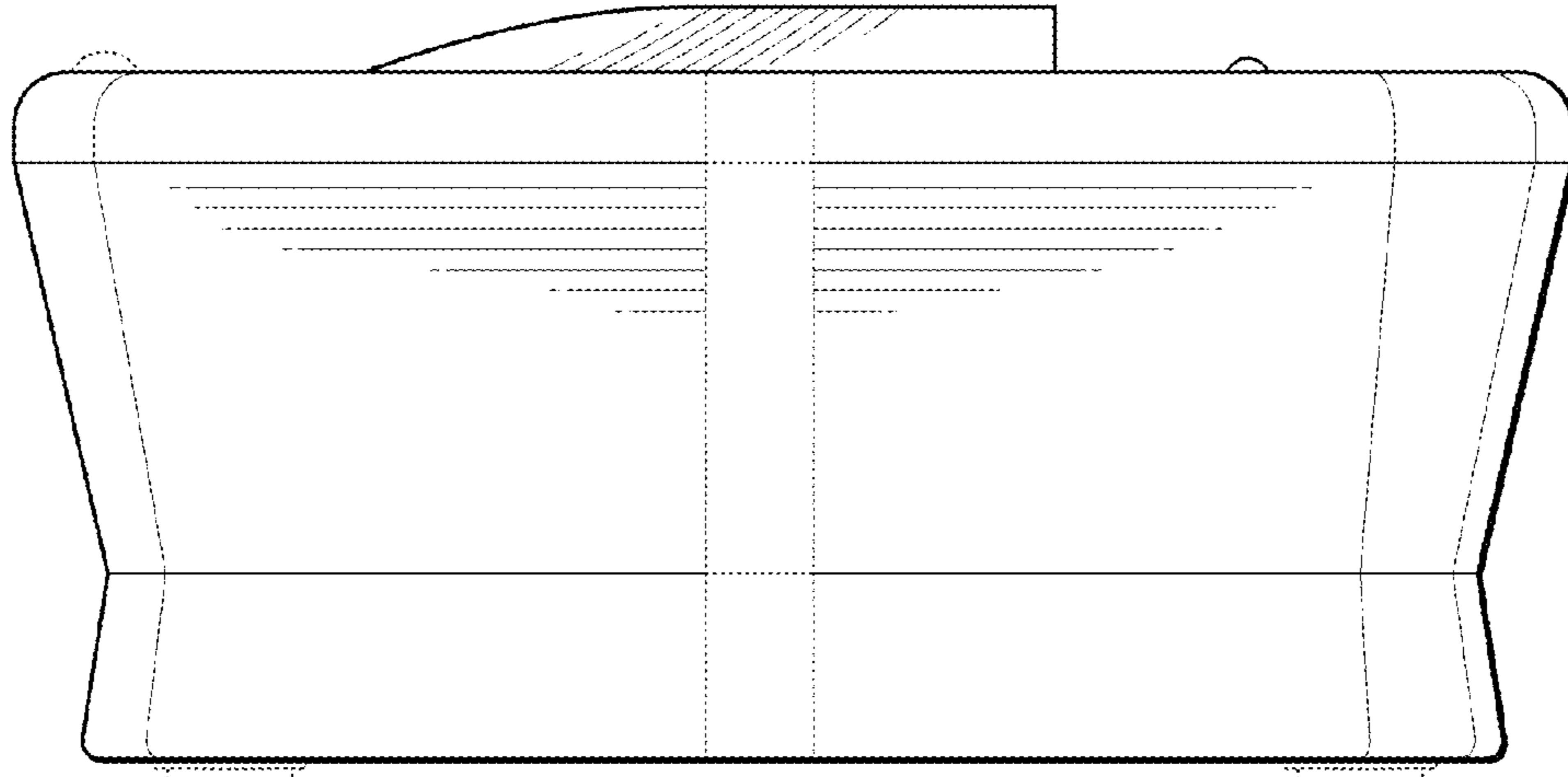


FIG. 4

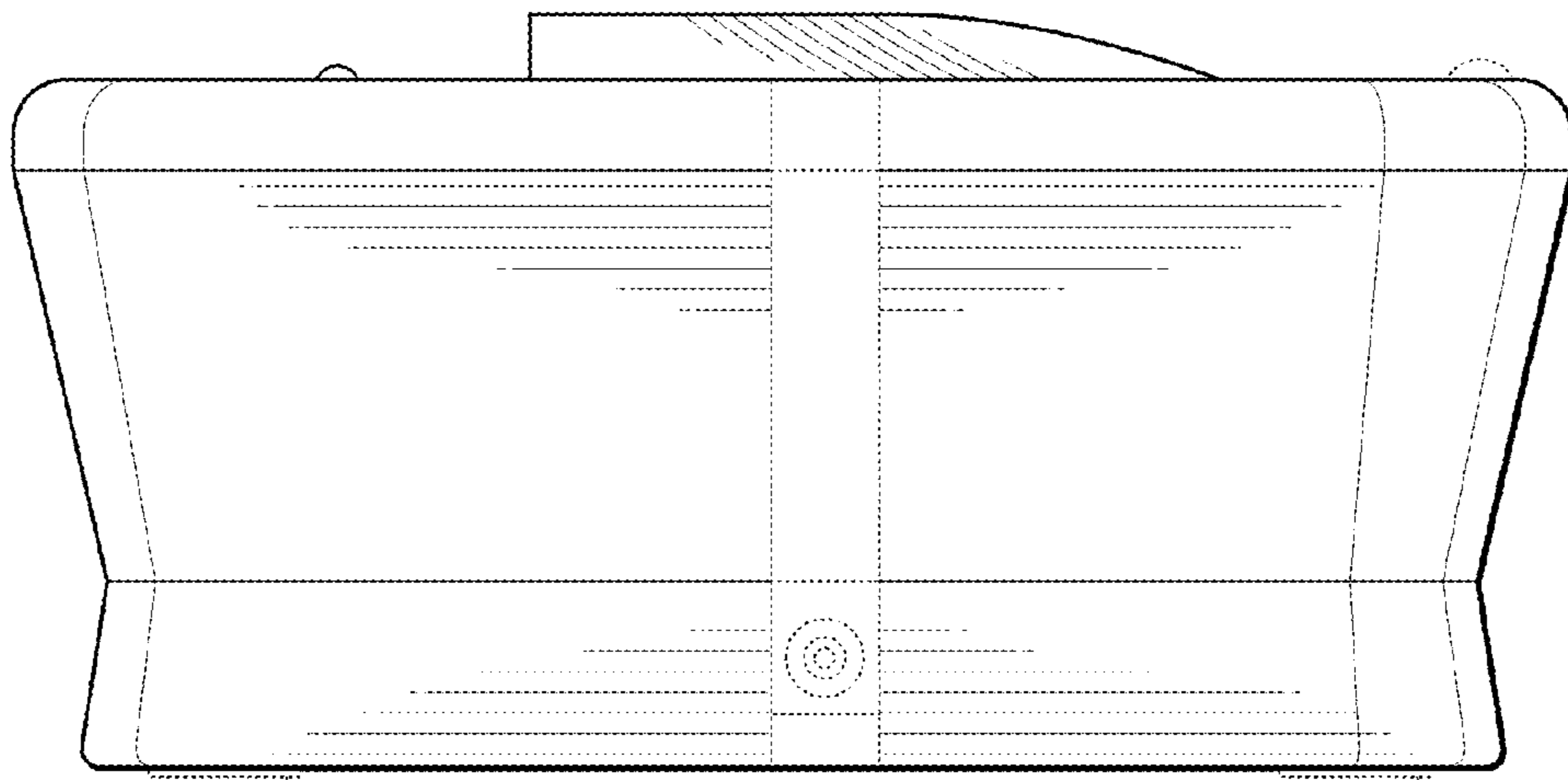


FIG. 5

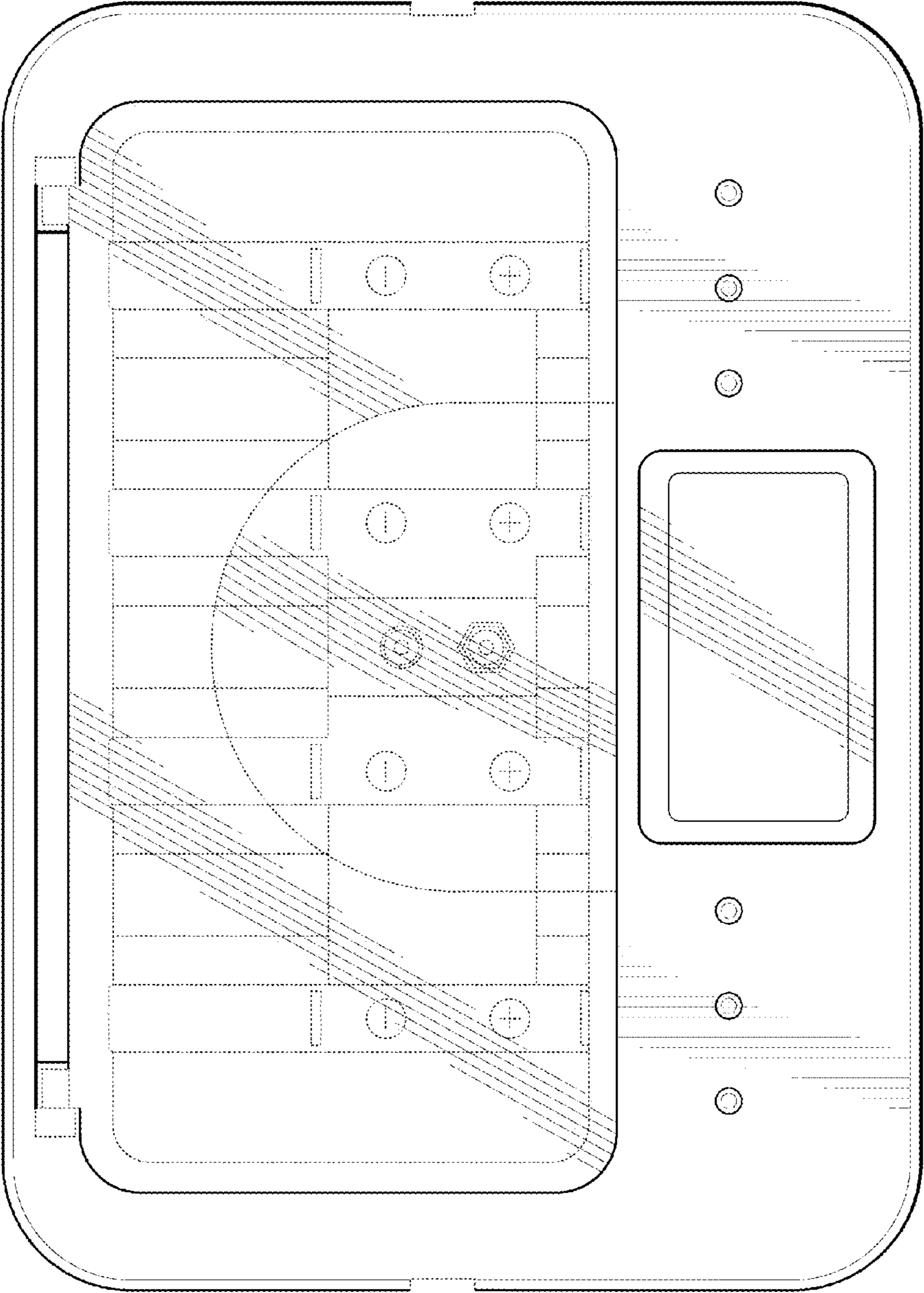


FIG. 6

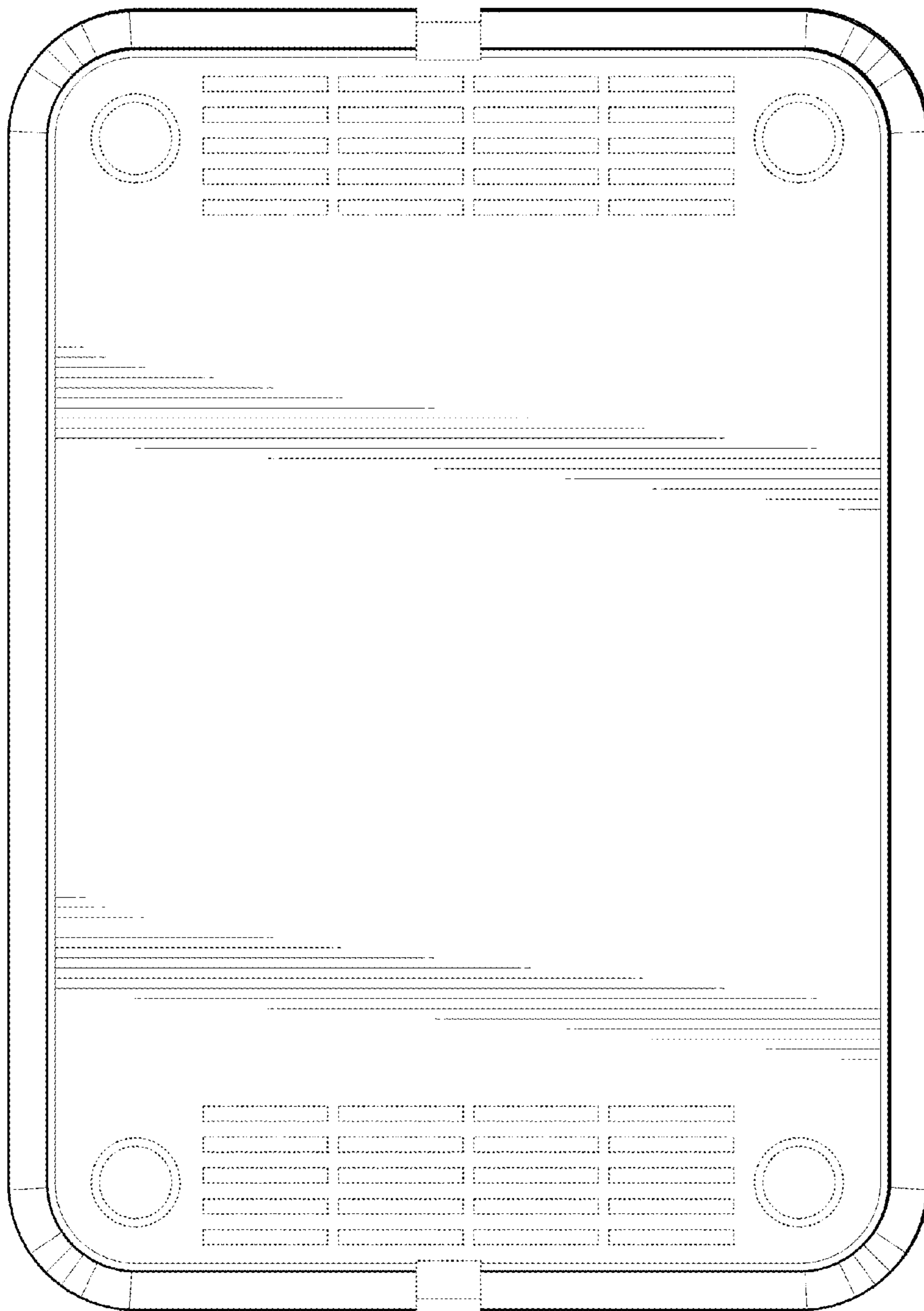


FIG. 7

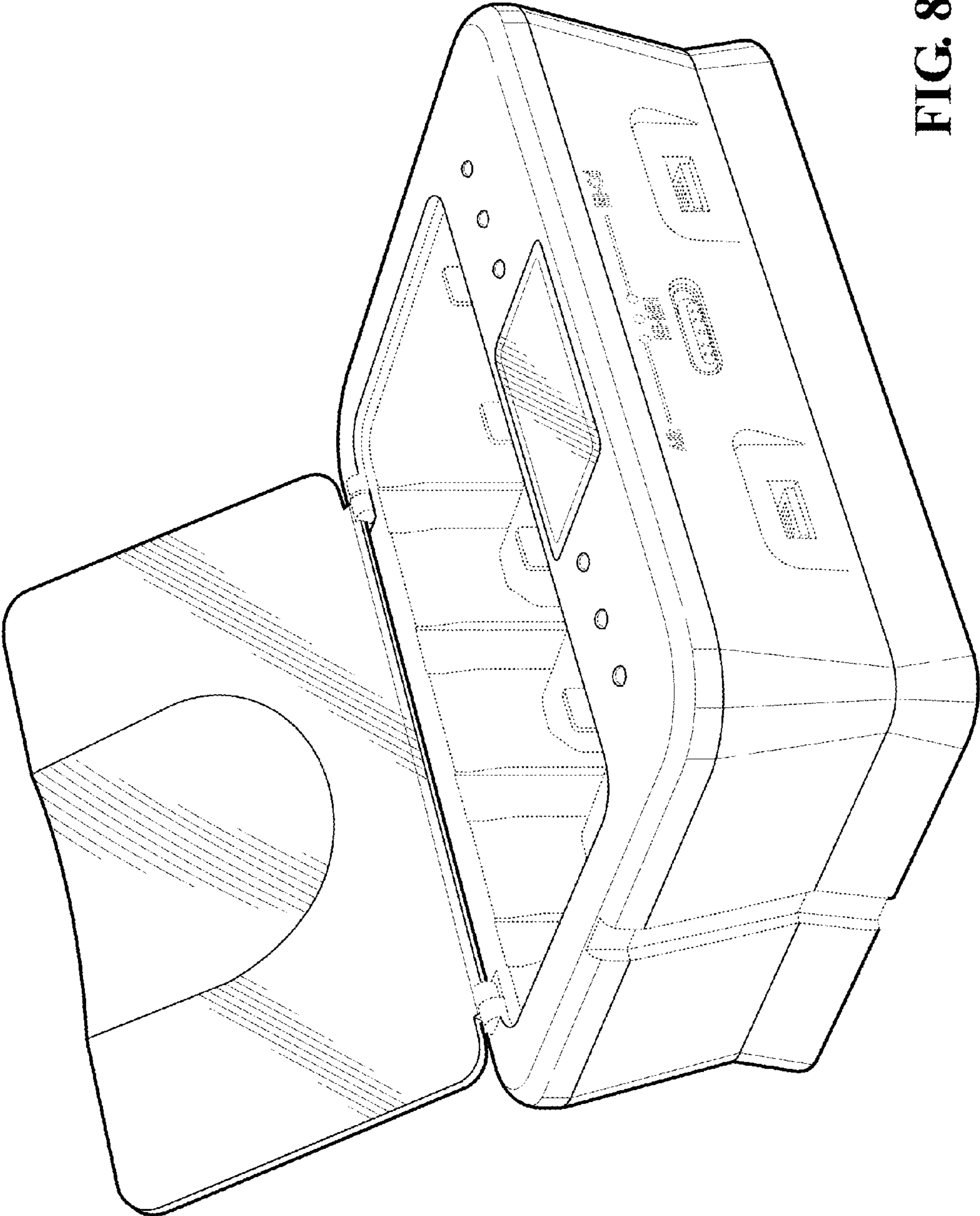


FIG. 8