

US00D701828S

(12) **United States Design Patent**
Garrett-Schesch

(10) **Patent No.:** **US D701,828 S**

(45) **Date of Patent:** **** Apr. 1, 2014**

(54) **SOLAR ARRAY**

(71) Applicant: **Aaron Sean Garrett-Schesch**, Raleigh,
NC (US)

(72) Inventor: **Aaron Sean Garrett-Schesch**, Raleigh,
NC (US)

(**) Term: **14 Years**

(21) Appl. No.: **29/459,860**

(22) Filed: **Jul. 3, 2013**

(51) **LOC (10) CI.** **13-02**

(52) **U.S. CI.**
USPC **D13/102**

(58) **Field of Classification Search**
USPC D13/102, 101, 184, 199; D26/113;
126/569, 571, 578, 580, 609, 610, 611,
126/612, 634, 640, 643, 652, 658, 680-685,
126/689, 699; 136/206, 243-252, 256, 257,
136/260, 261; 351/203

See application file for complete search history.

(56) **References Cited**

U.S. PATENT DOCUMENTS

D309,789 S *	8/1990	Luce	D26/68
6,089,224 A *	7/2000	Poulek	126/576
D560,605 S *	1/2008	McClintock et al.	D13/102
D564,443 S *	3/2008	Moore	D13/102
D600,200 S *	9/2009	Dimov et al.	D13/102

D610,536 S *	2/2010	Brumels	D13/102
D616,812 S *	6/2010	Scholz et al.	D13/102
D624,491 S *	9/2010	Xuan	D13/102
D631,432 S *	1/2011	Miyazaki et al.	D13/102
D663,260 S *	7/2012	Fischer	D13/102
D683,304 S *	5/2013	Crider et al.	D13/102
2008/0230047 A1 *	9/2008	Shugar et al.	126/569

* cited by examiner

Primary Examiner — Derrick Holland

(74) *Attorney, Agent, or Firm* — Coats & Bennett, P.L.L.C.

(57) **CLAIM**

The ornamental design for a solar array, as shown and described.

DESCRIPTION

FIG. 1 is a front perspective view of a solar array showing my new design;

FIG. 2 is a rear perspective view thereof;

FIG. 3 is a front elevation view thereof;

FIG. 4 is a rear elevation view thereof;

FIG. 5 is a second rear elevation view thereof;

FIG. 6 is a left side elevation view thereof;

FIG. 7 is a right side elevation view thereof;

FIG. 8 is a top perspective view thereof;

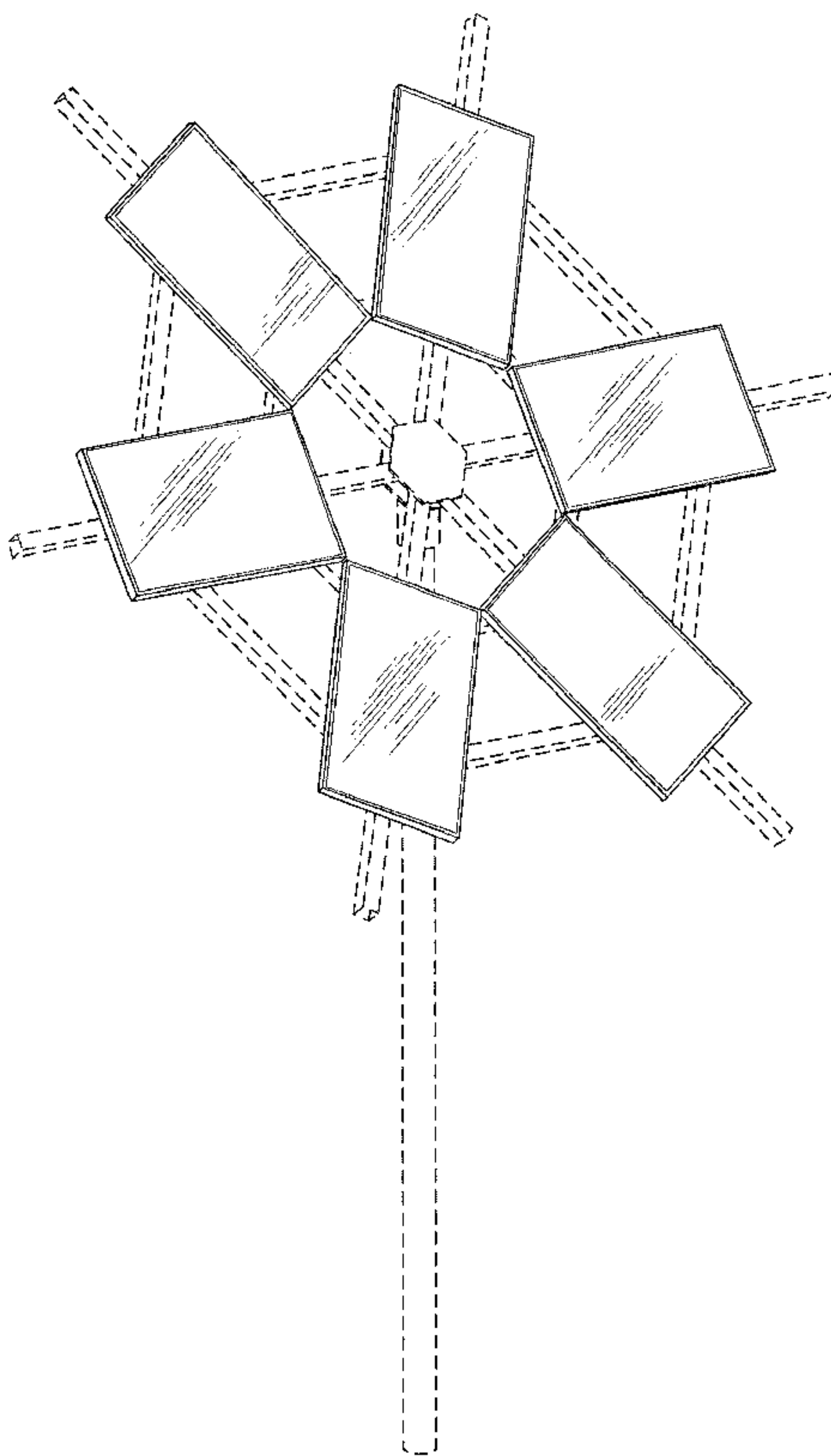
FIG. 9 is a bottom perspective view thereof;

FIG. 10 is a second front elevation view thereof; and,

FIG. 11 is a third rear elevation view thereof.

The broken lines shown represent unclaimed subject matter and form no part of the claimed design.

1 Claim, 11 Drawing Sheets



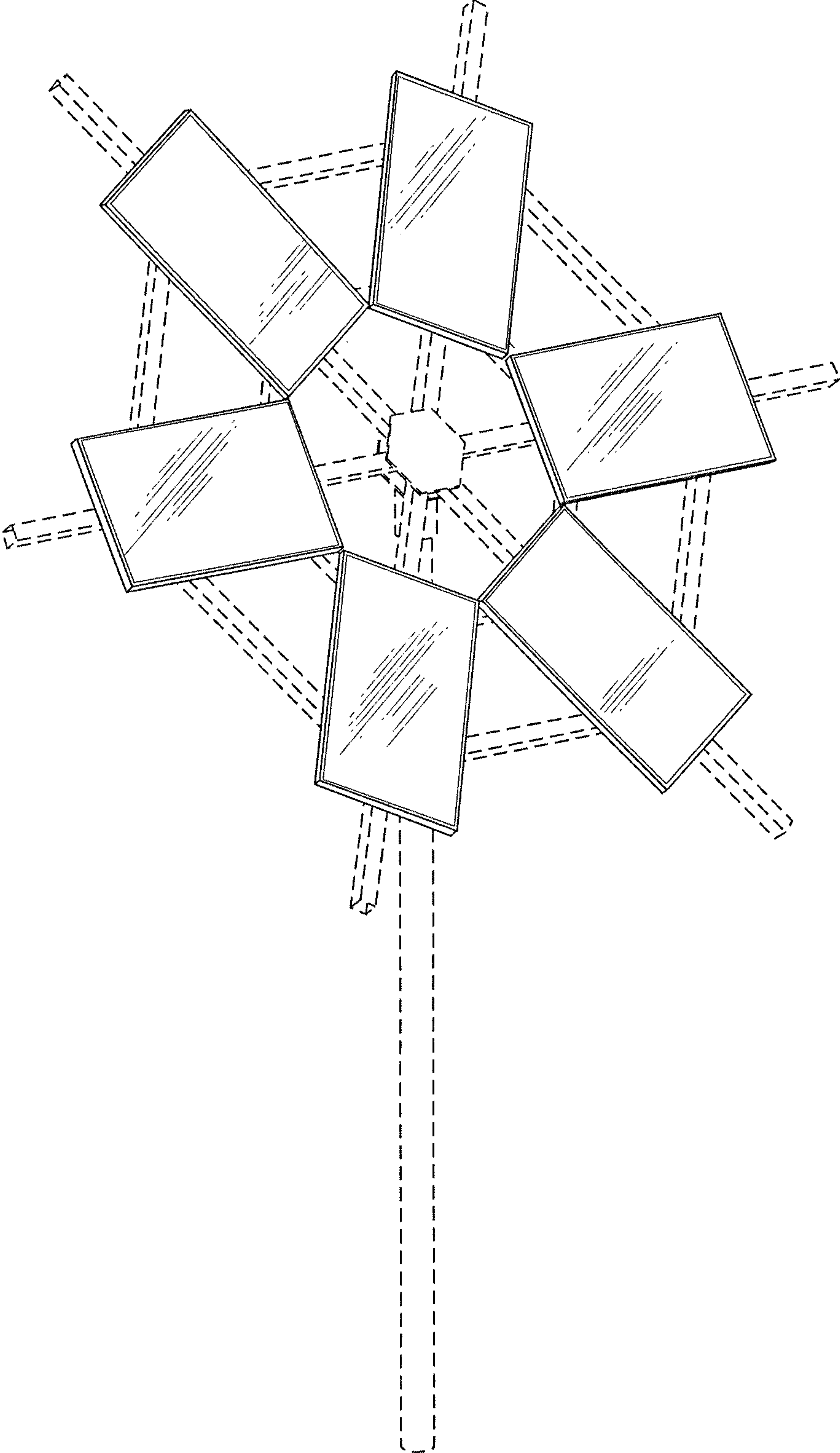


FIG. 1

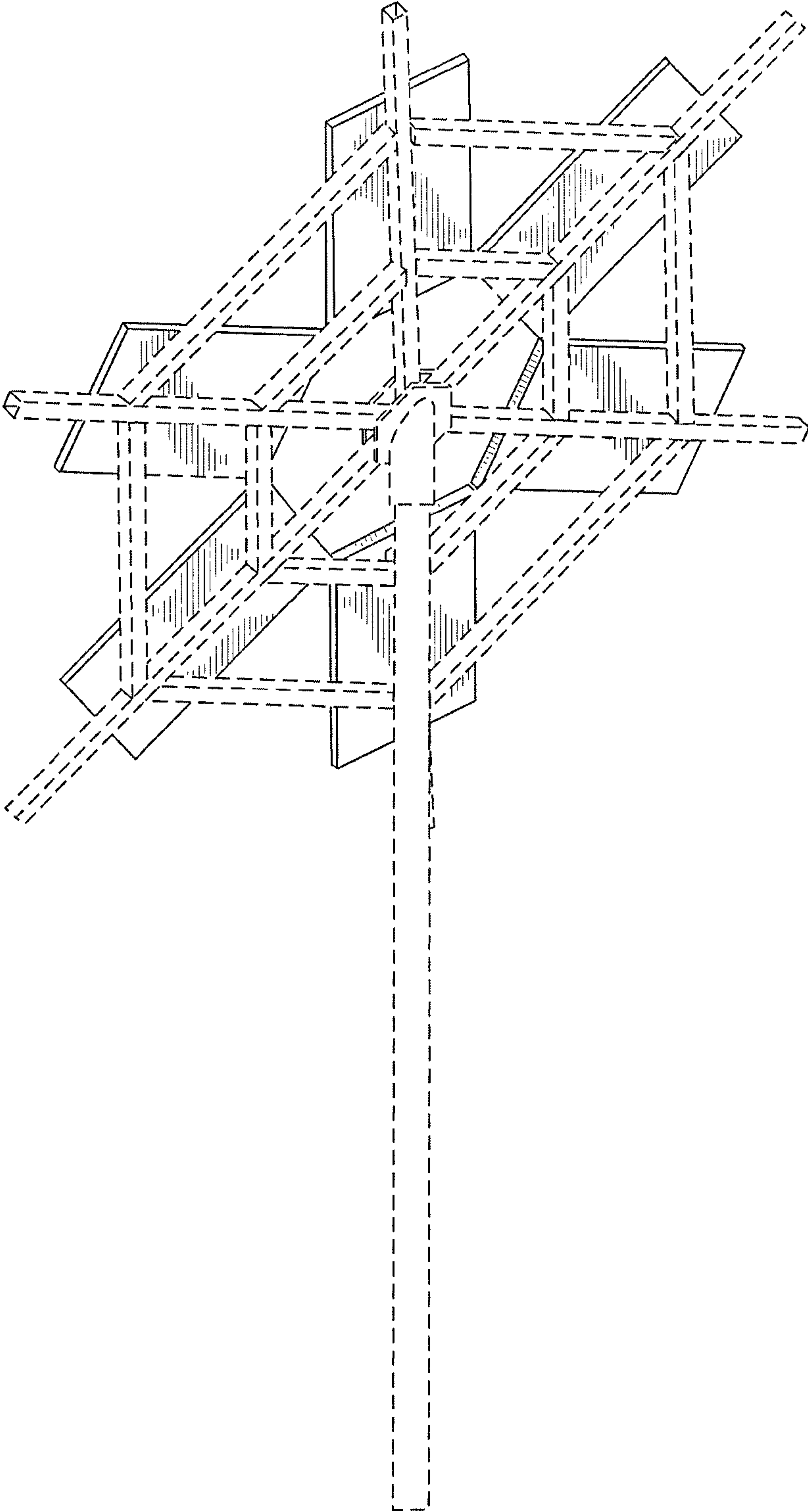


FIG. 2

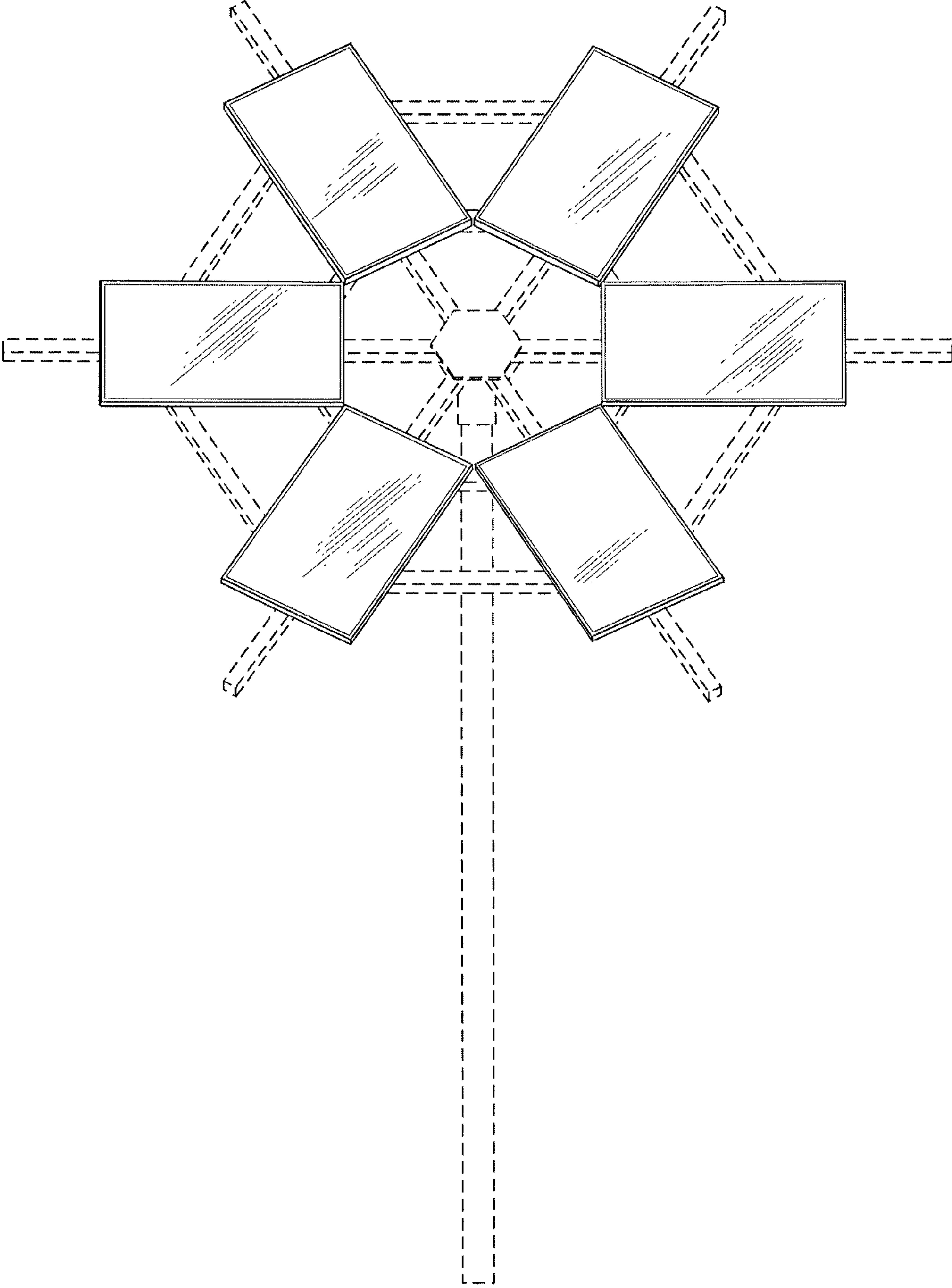


FIG. 3

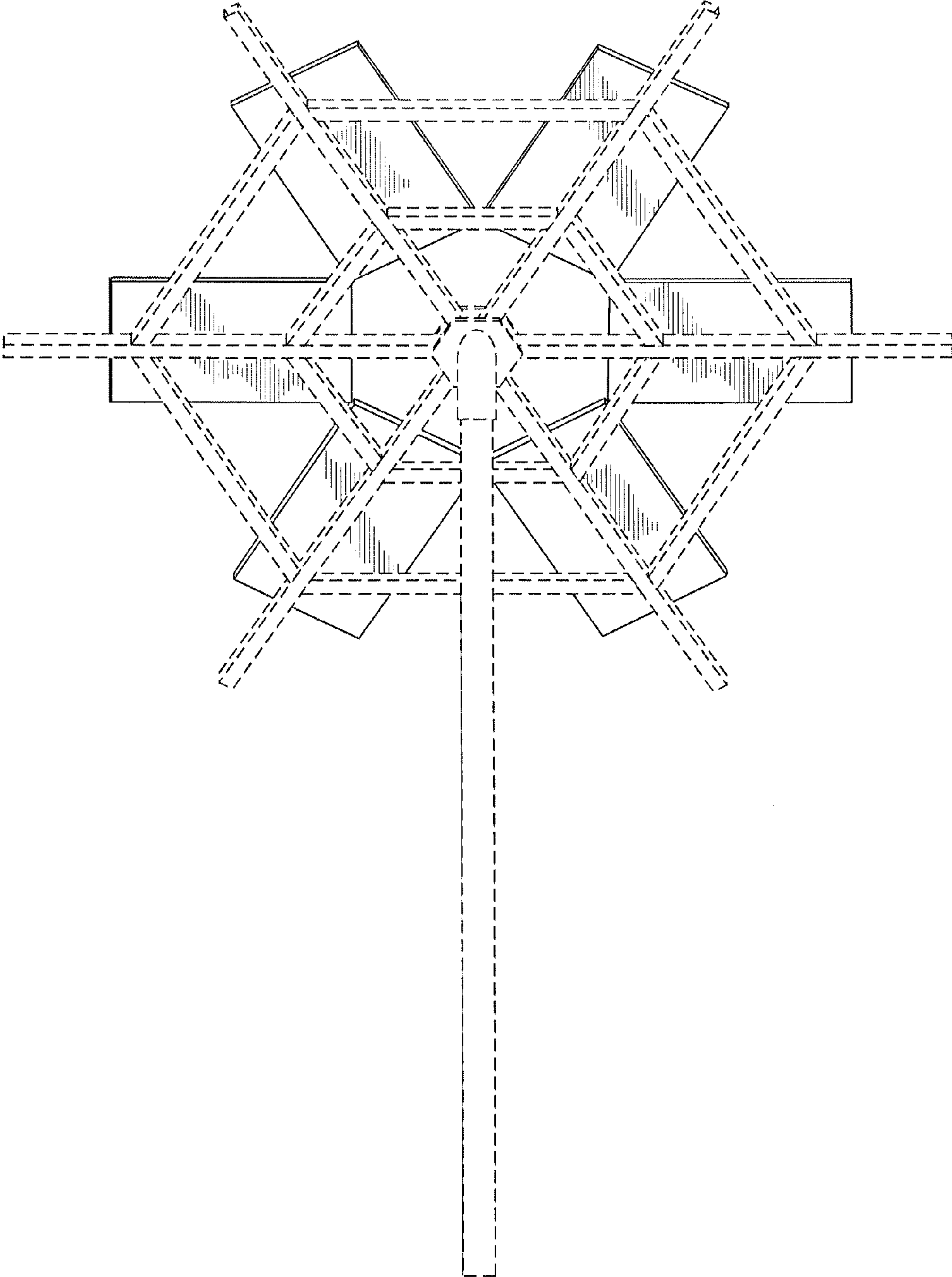


FIG. 4

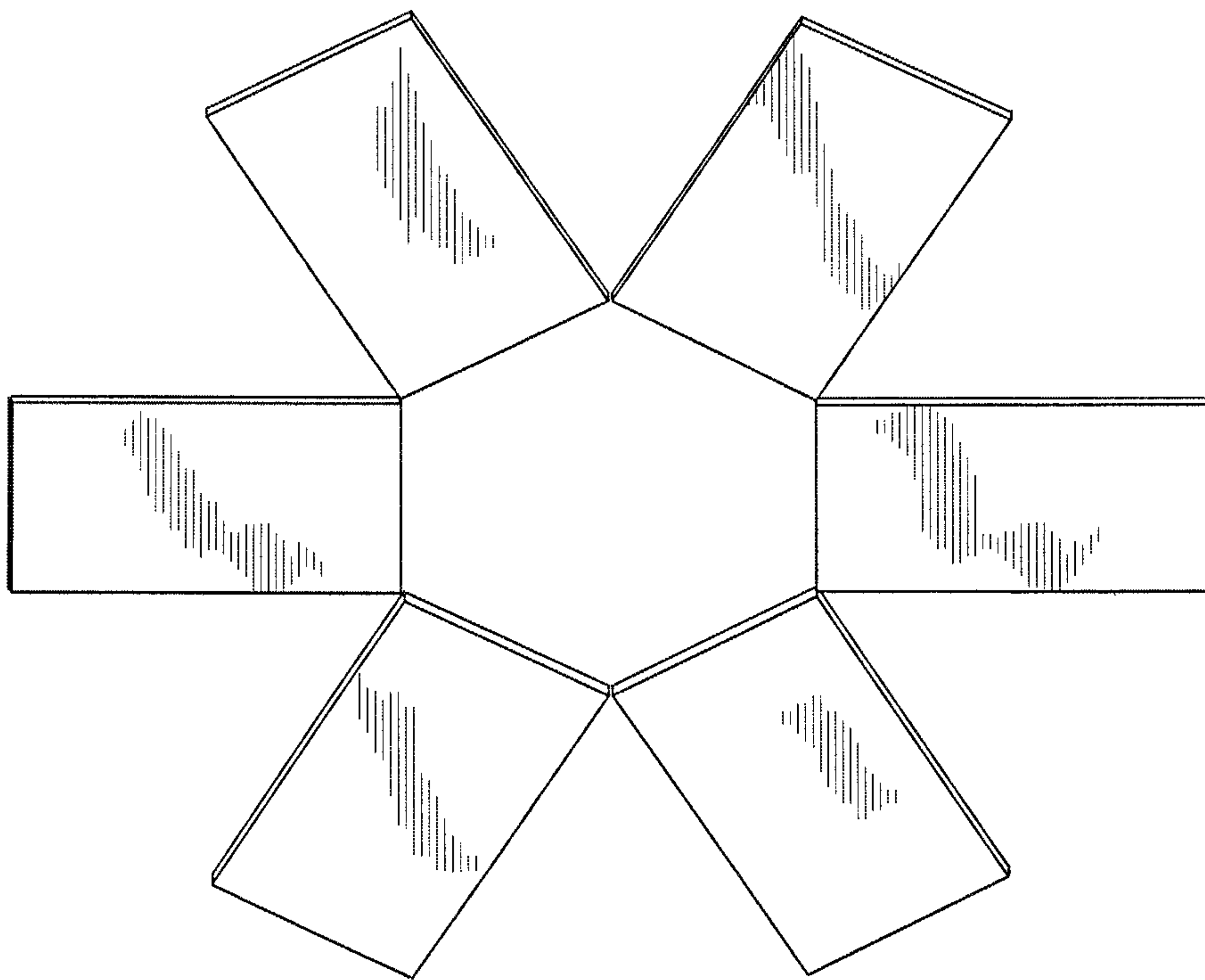


FIG. 5

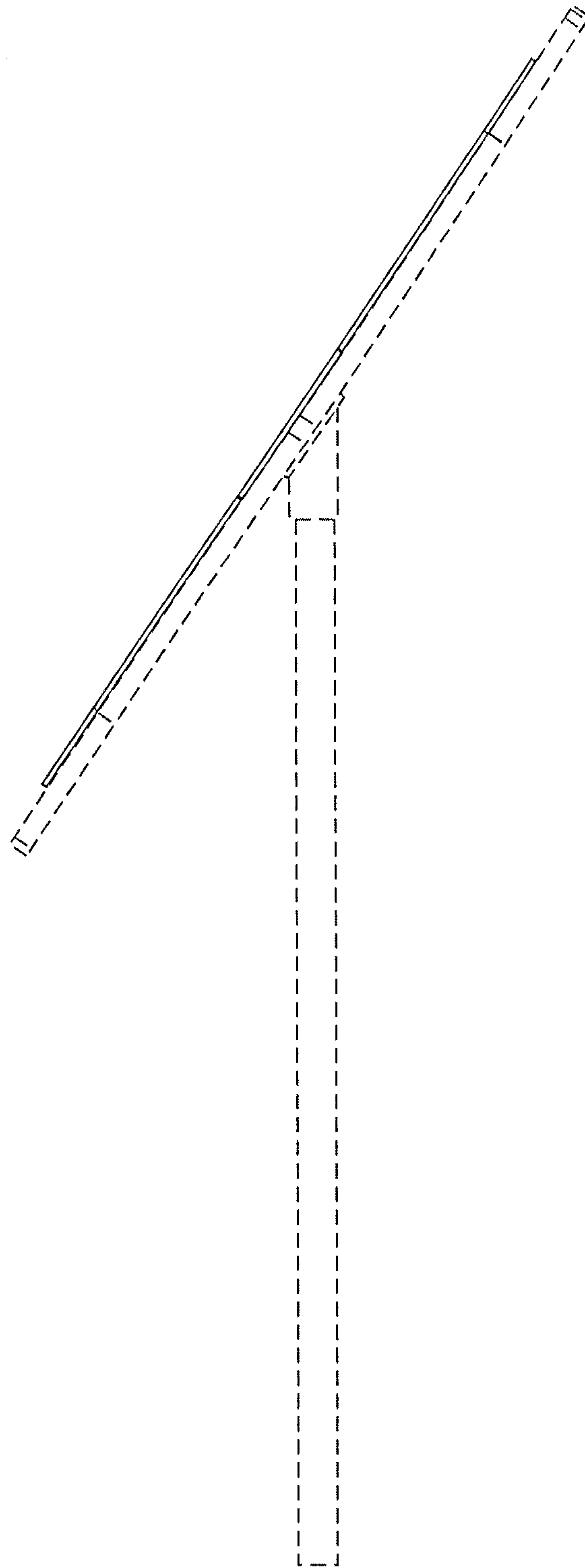


FIG. 6

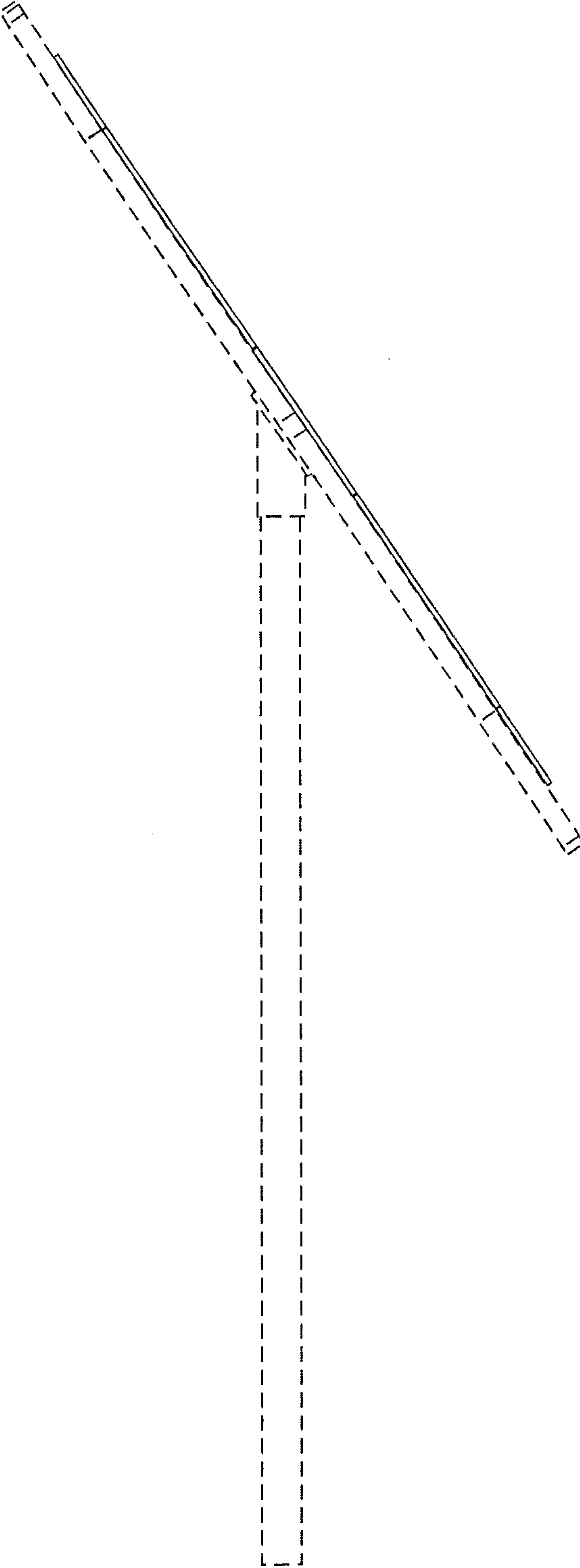


FIG. 7

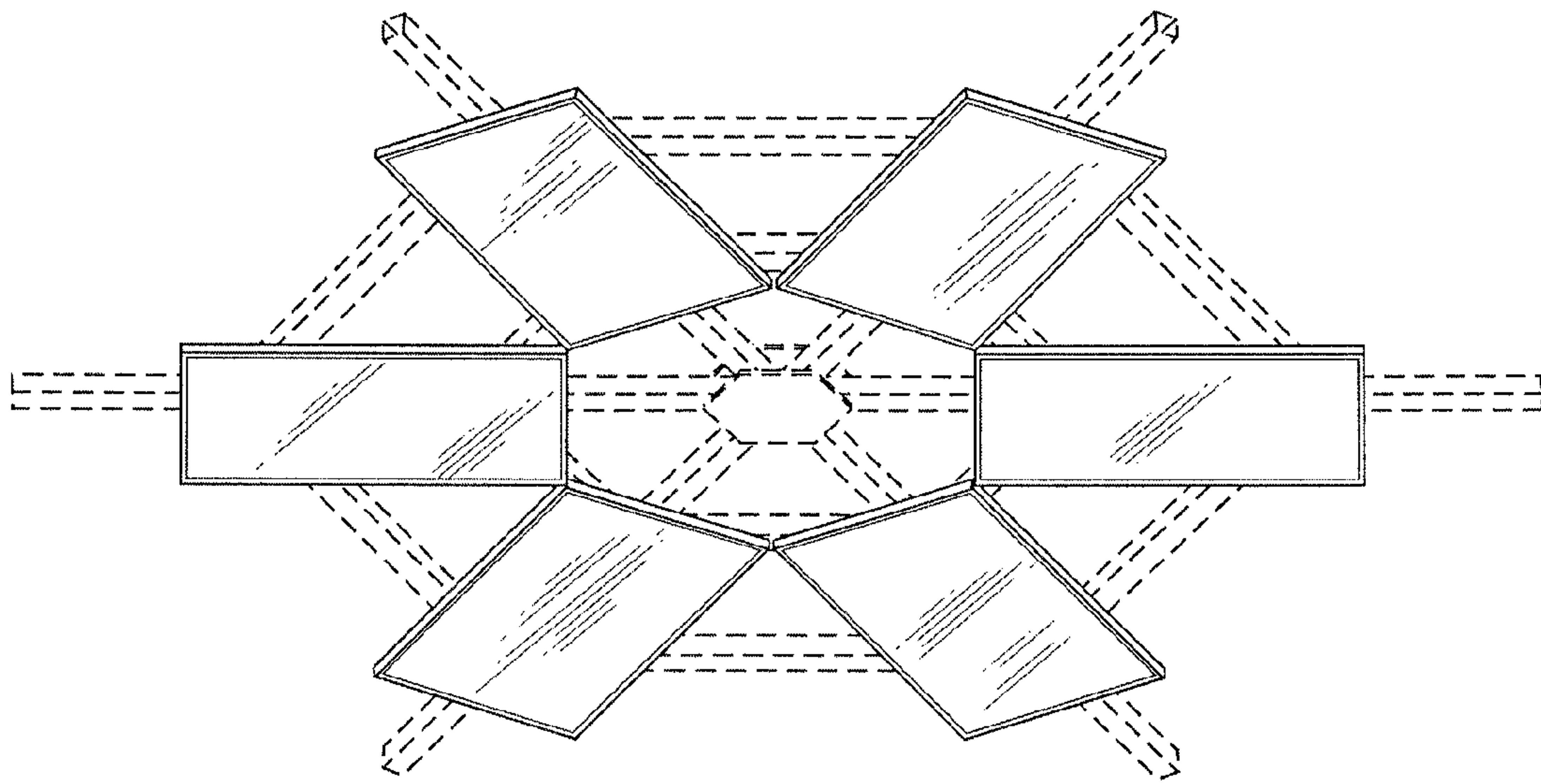


FIG. 8

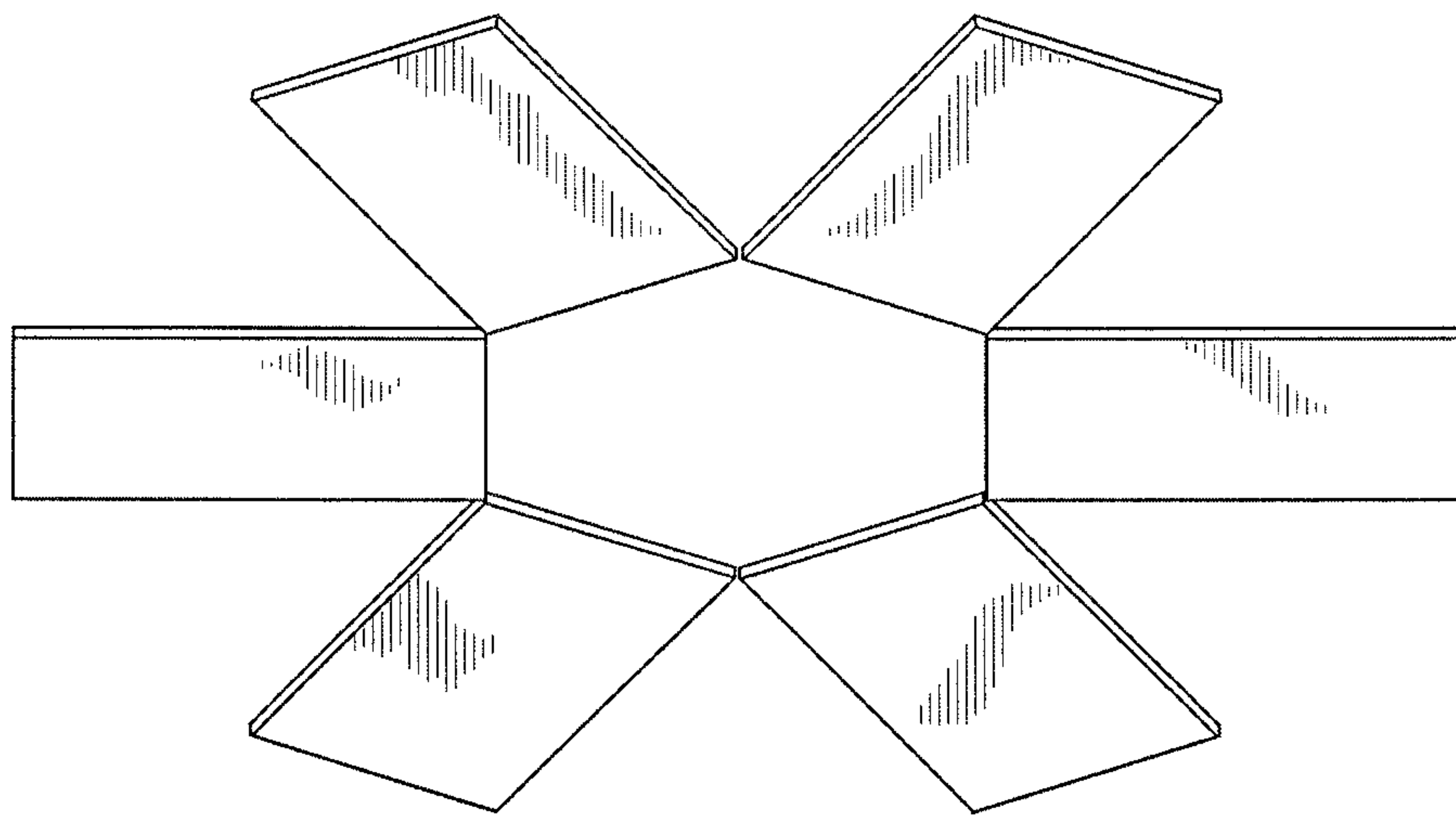


FIG. 9

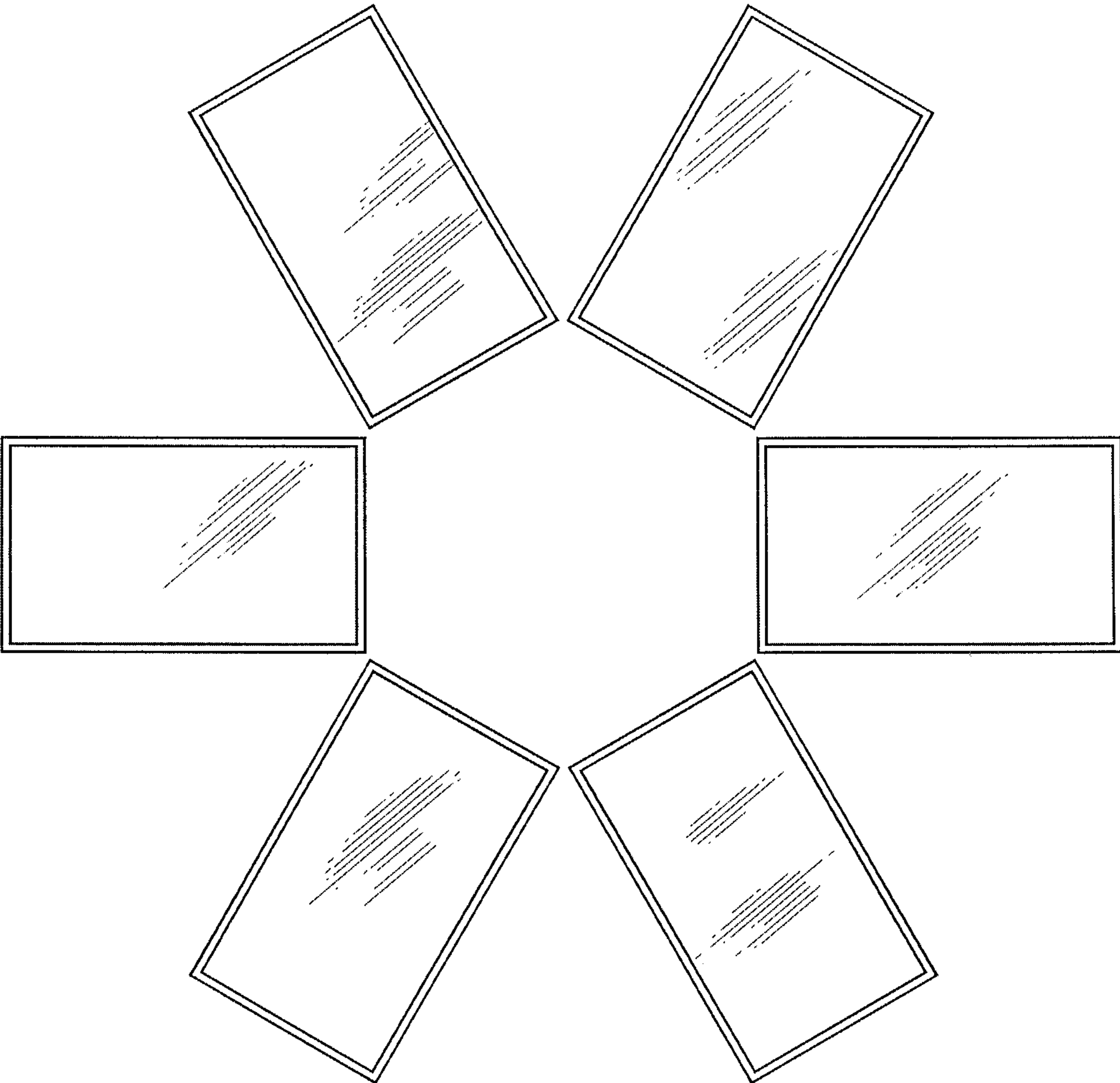


FIG. 10

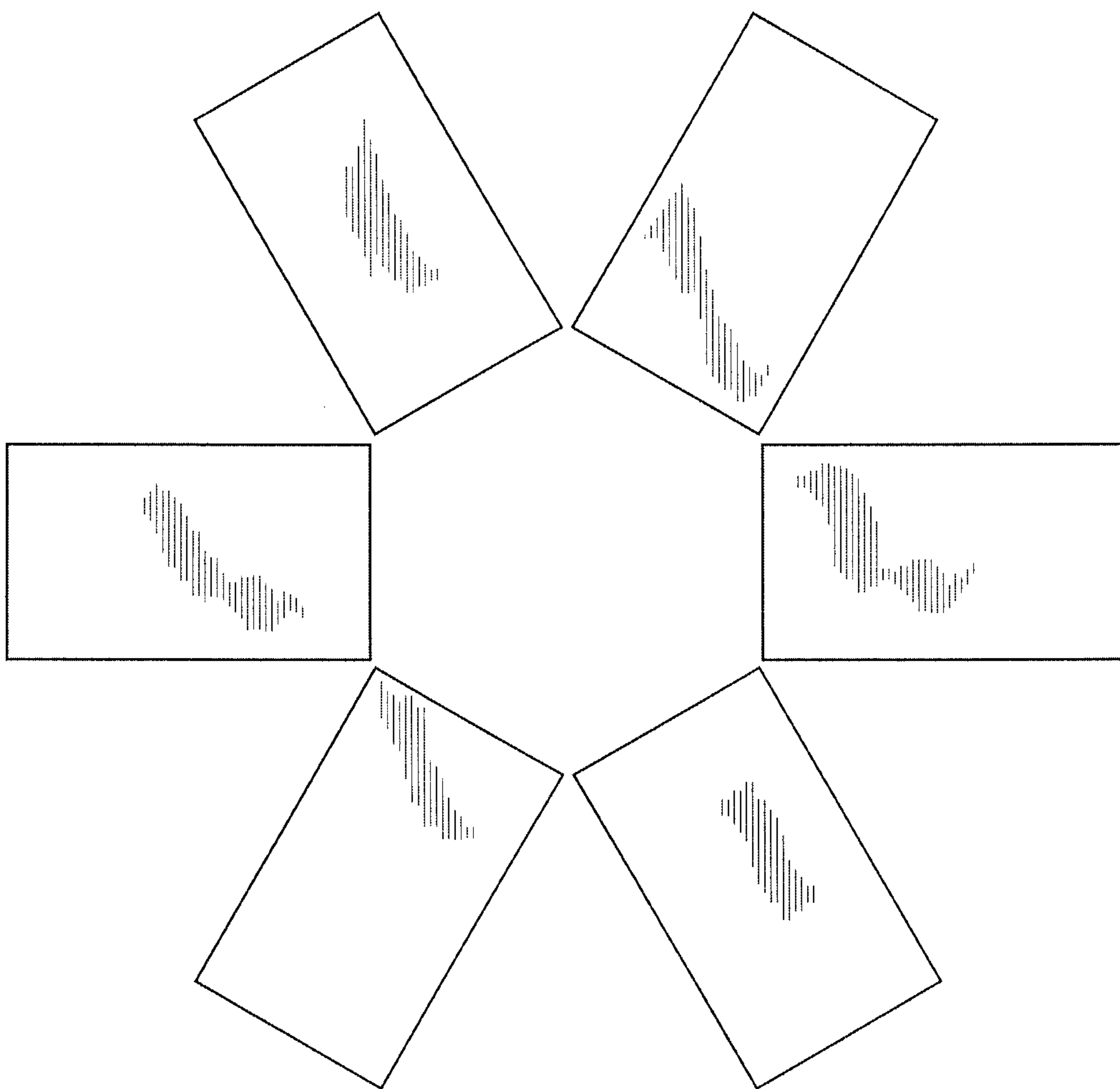


FIG. 11