



US00D701827S

(12) **United States Design Patent**  
**Turk et al.**

(10) **Patent No.:** **US D701,827 S**

(45) **Date of Patent:** **\*\* Apr. 1, 2014**

(54) **SEALING RING FOR A CONCENTRATING PHOTOVOLTAIC SYSTEM MODULE**

(75) Inventors: **Michael F. Turk**, Los Angeles, CA (US); **Robert J. Villegas**, Long Beach, CA (US); **Richard J. Russell**, La Crescenta, CA (US); **Michael Corfield**, Costa Mesa, CA (US); **Brian Lees**, Duarte, CA (US)

(73) Assignee: **Suncore Photovoltaics, Inc.**, Irwindale, CA (US)

(\*\*) Term: **14 Years**

(21) Appl. No.: **29/399,716**

(22) Filed: **Aug. 17, 2011**

(51) **LOC (10) Cl.** ..... **13-02**

(52) **U.S. Cl.**  
USPC ..... **D13/102**

(58) **Field of Classification Search**  
USPC ..... D13/102, 149, 154, 155, 156, 158, 170, D13/184, 199; D25/48.2, 119, 121, 122, D25/165; D8/354, 364, 377, 394; 136/244–251, 256, 291, 292  
See application file for complete search history.

(56) **References Cited**

U.S. PATENT DOCUMENTS

D110,432 S *	7/1938	Lowry	.....	D25/119
D263,759 S *	4/1982	Dallaire	.....	D25/119
D378,731 S *	4/1997	Kopish	.....	D8/356
D379,237 S *	5/1997	Leonelli	.....	D25/119
D384,877 S *	10/1997	Perrin et al.	.....	D8/354
D402,534 S *	12/1998	McCoy et al.	.....	D8/354
D448,862 S *	10/2001	Kieffer	.....	D25/121

6,465,724 B1 *	10/2002	Garvison et al.	.....	136/244
D507,131 S *	7/2005	Pingel	.....	D6/491
D507,353 S *	7/2005	Rasmussen	.....	D25/119
2008/0169018 A1 *	7/2008	Miyamoto et al.	.....	136/251
2009/0114268 A1 *	5/2009	Buller et al.	.....	136/251
2010/0180930 A1 *	7/2010	Brezoczky et al.	.....	136/246

\* cited by examiner

*Primary Examiner* — Derrick Holland

*Assistant Examiner* — Lauren Calve

(74) *Attorney, Agent, or Firm* — Mueting, Raasch & Gebhardt, P.A.

(57) **CLAIM**

The ornamental design for a sealing ring for a concentrating photovoltaic system module, as shown and described.

**DESCRIPTION**

FIG. 1 is a top perspective view of a sealing ring for a concentrating photovoltaic system module of the present invention;

FIG. 2 is a perspective cross-sectional view thereof taken at 2-2 indicated in FIG. 1;

FIG. 3 is an end view thereof;

FIG. 4 is a front elevation view thereof;

FIG. 5 is a rear elevation view thereof;

FIG. 6 is a top plan view thereof; and,

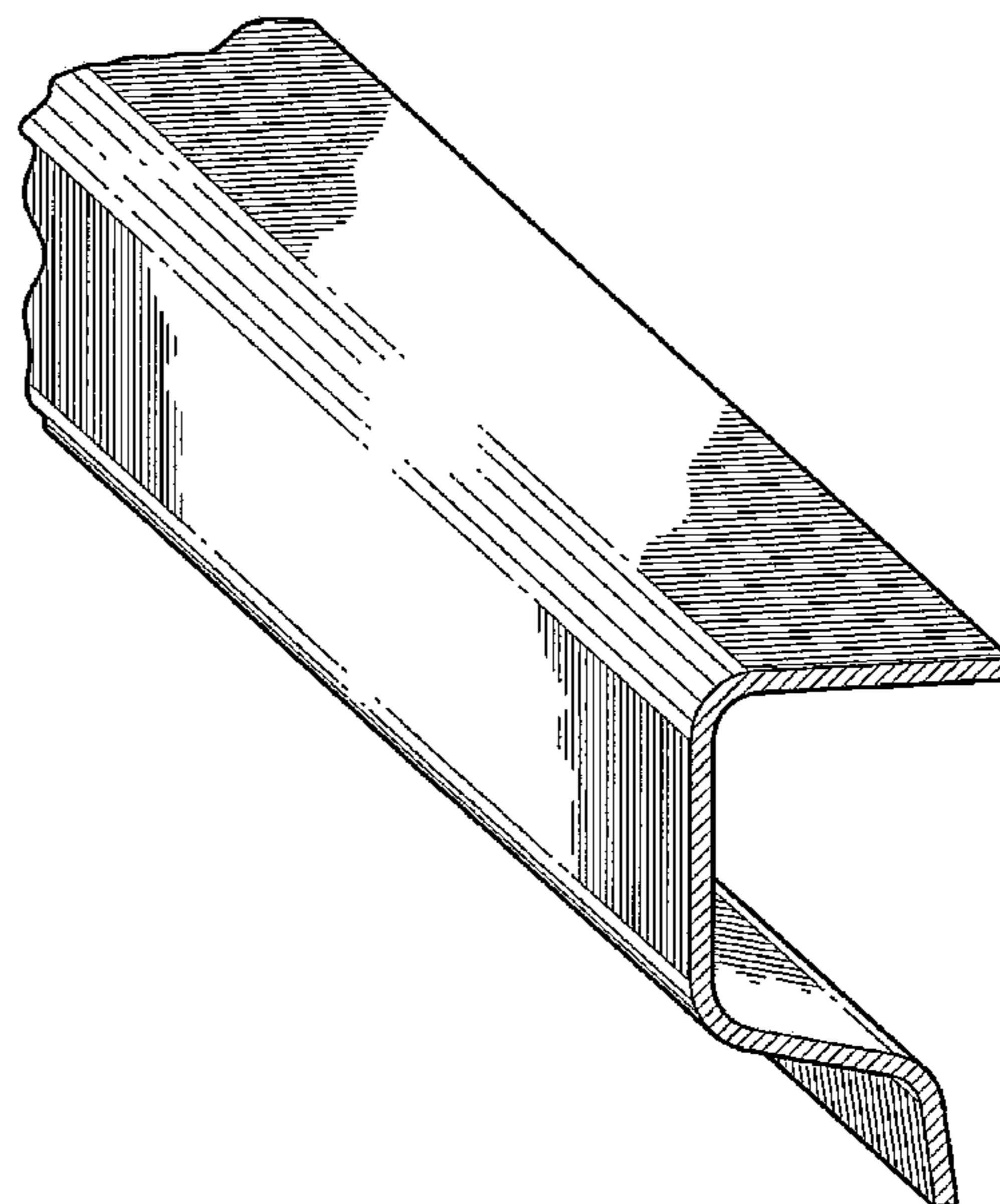
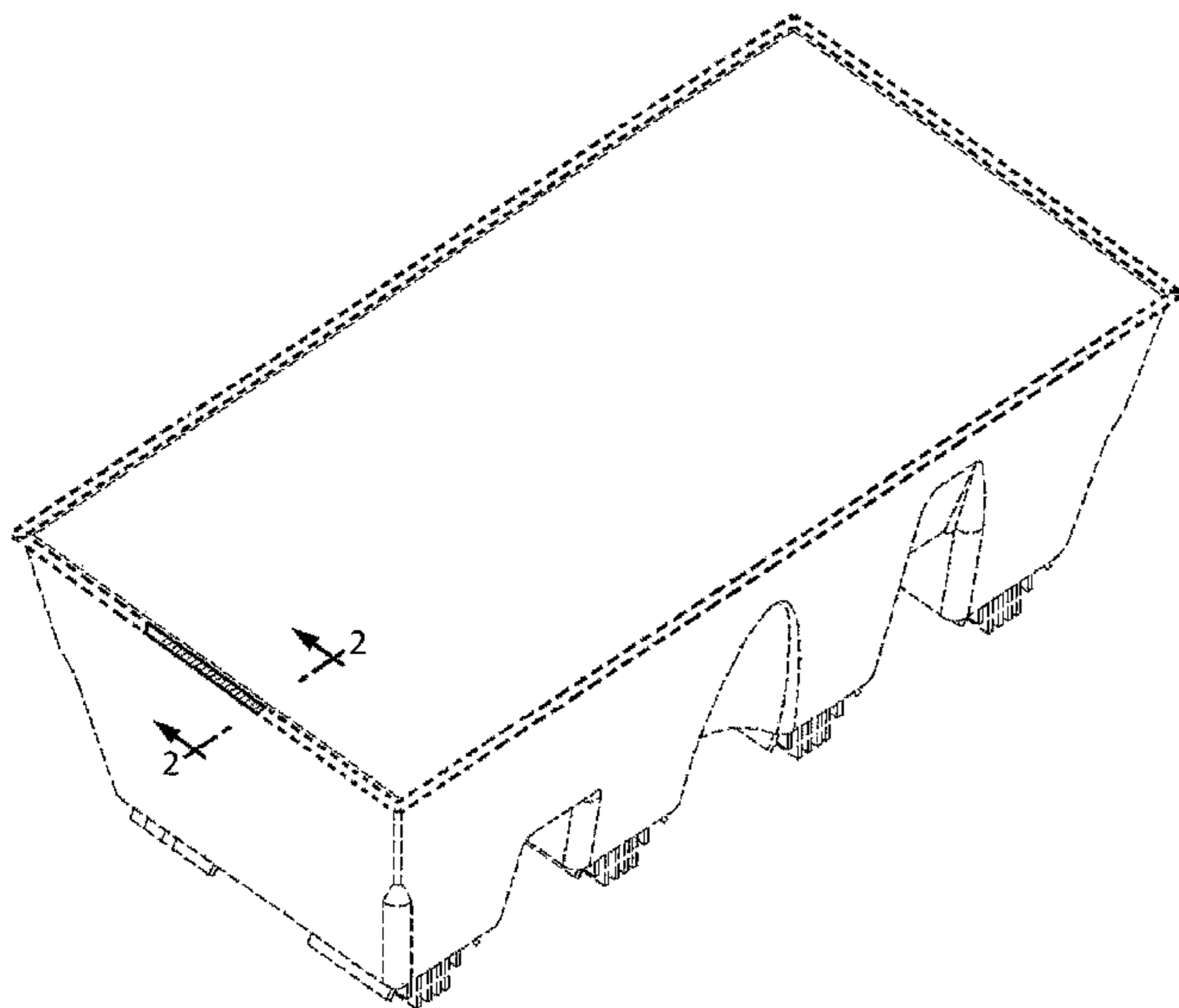
FIG. 7 is a bottom plan view thereof.

The broken lines in FIG. 1 represent unclaimed subject matter and form no part of the claimed design.

The sealing ring for a concentrating photovoltaic system module is shown broken to represent indeterminate length.

The indeterminate portion of the article forms no part of the claim design. Patentability is based only on those portions of the sealing ring for a concentrating photovoltaic system module that are shown in solid lines.

**1 Claim, 7 Drawing Sheets**



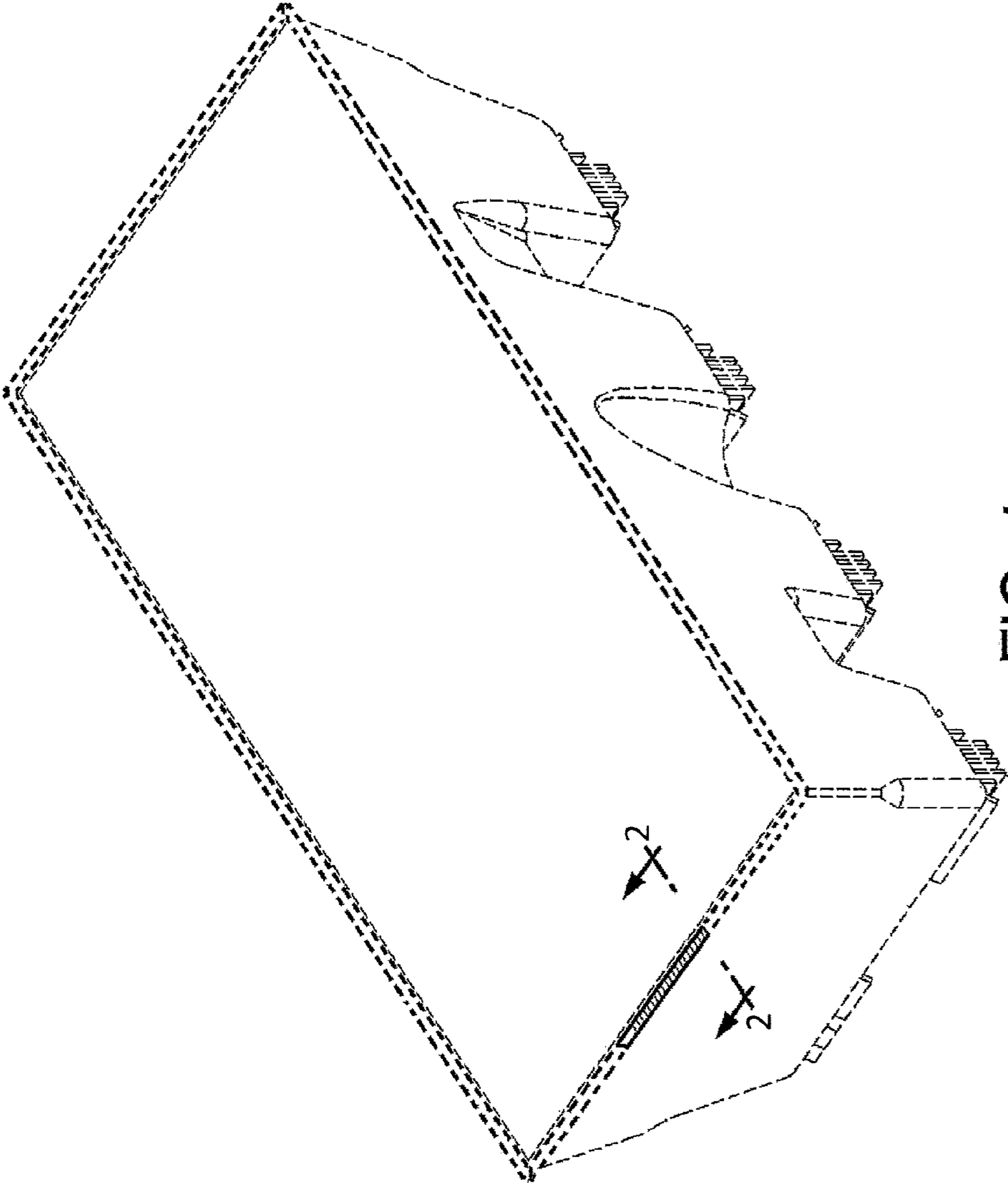


FIG. 1

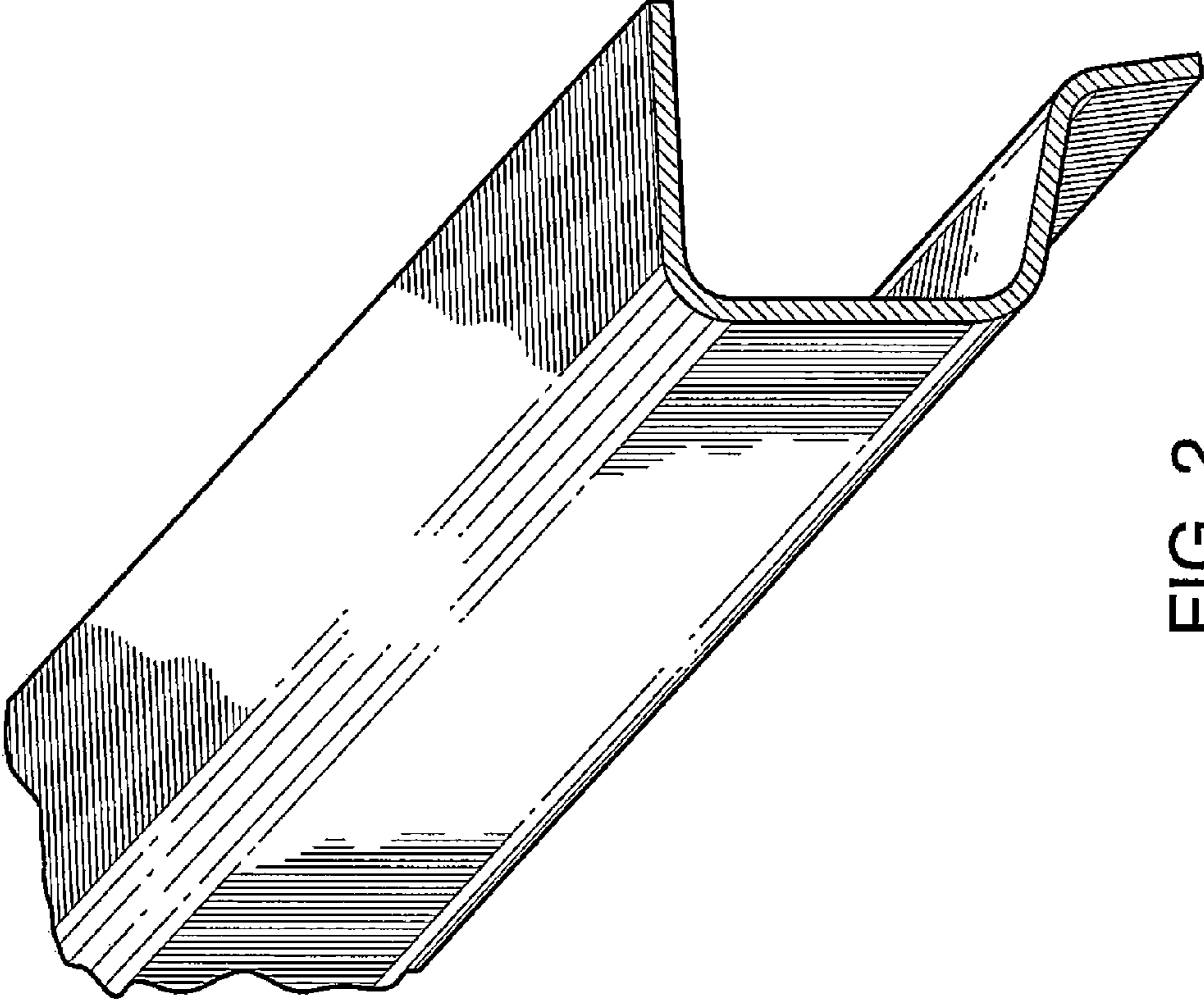


FIG. 2

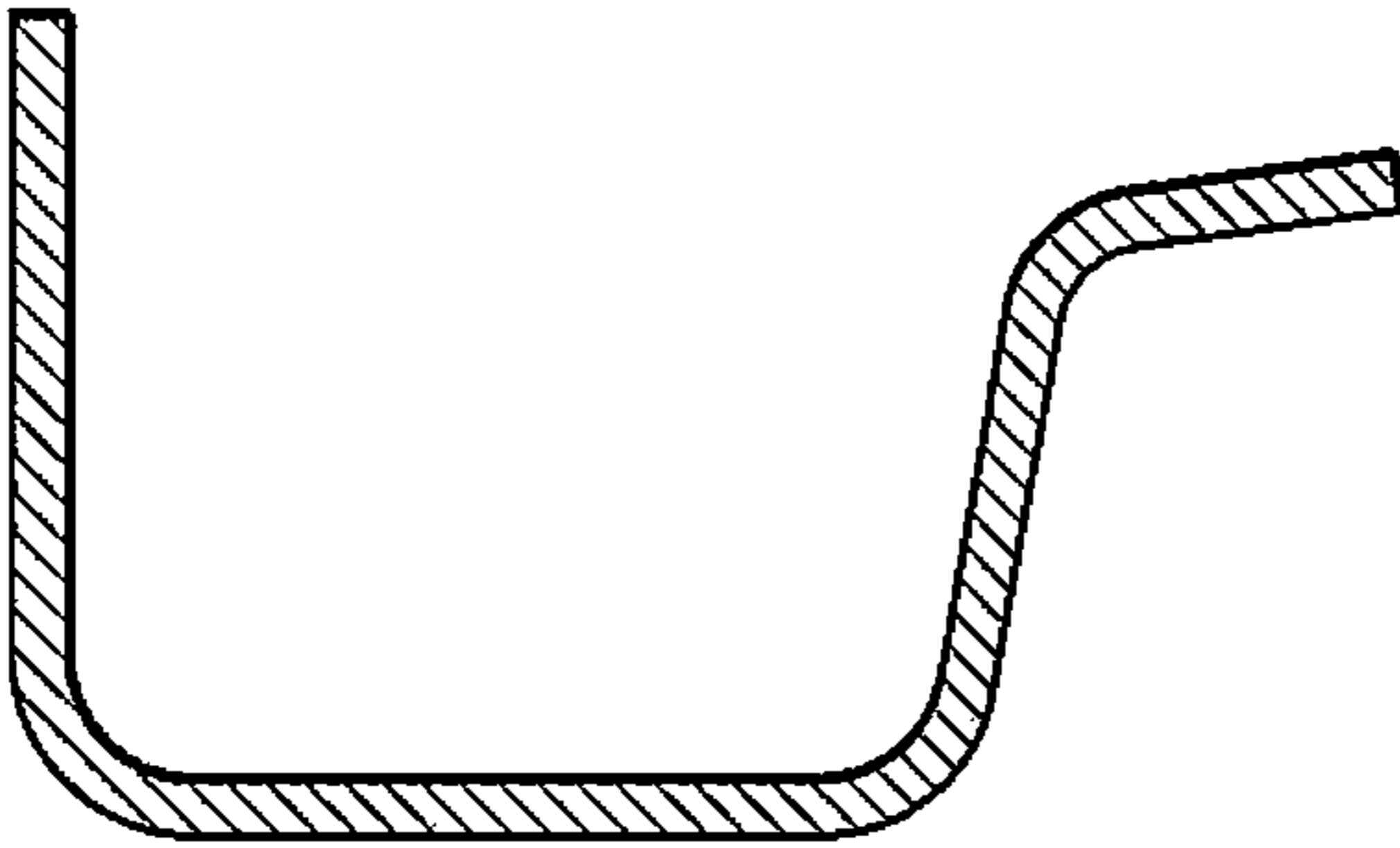


FIG. 3

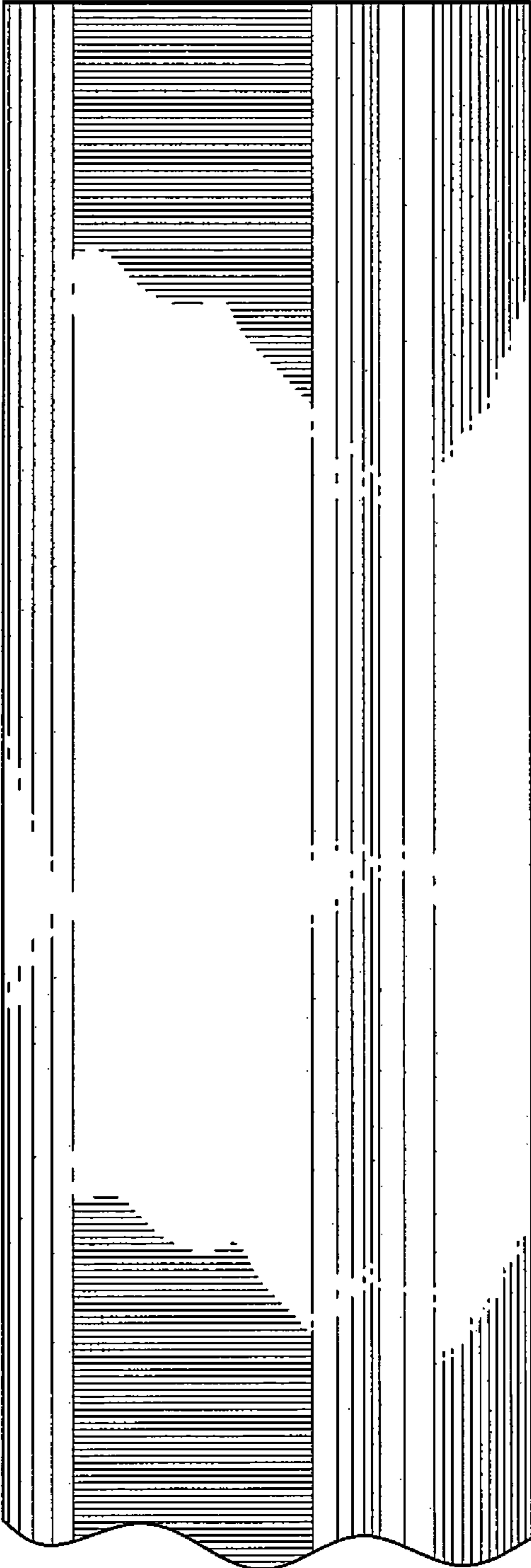


FIG. 4

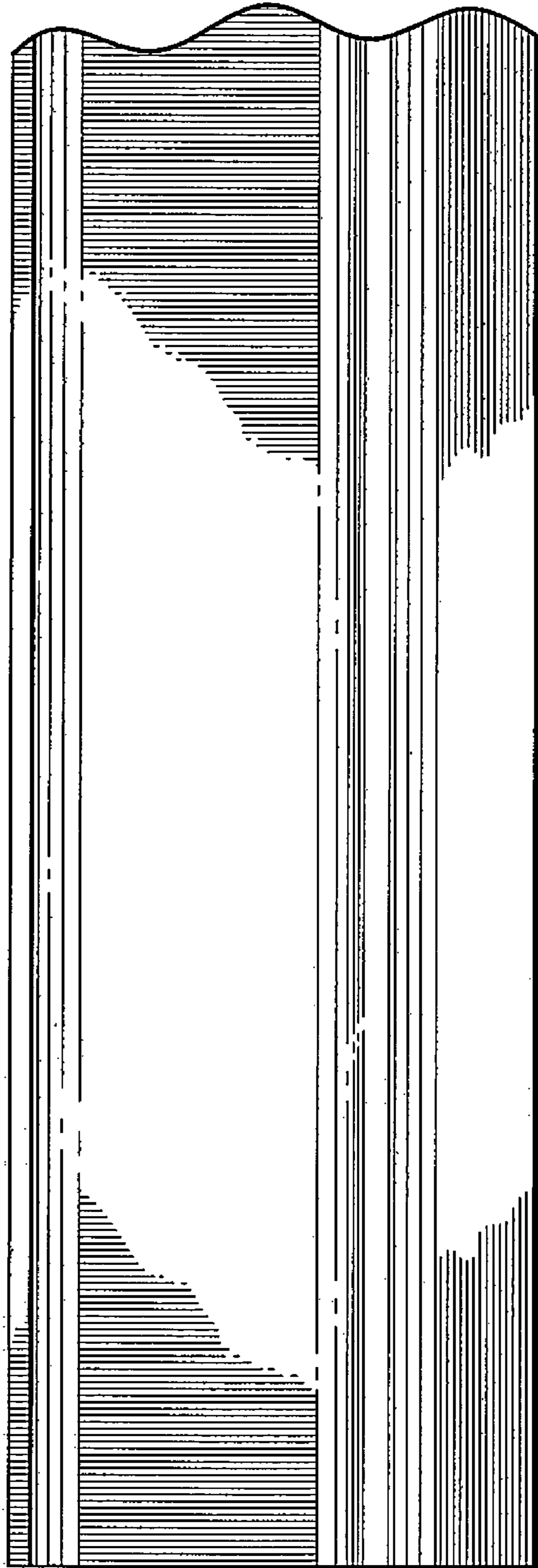


FIG. 5

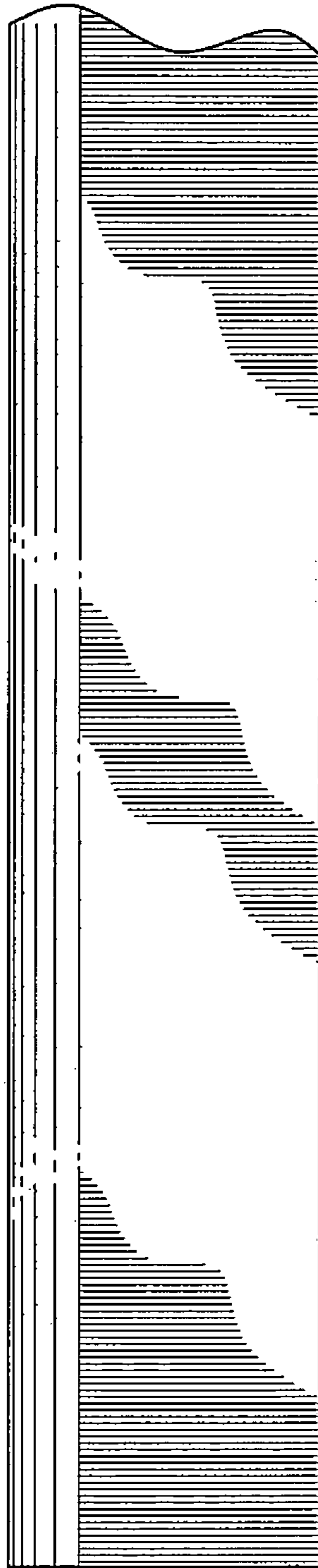


FIG. 6

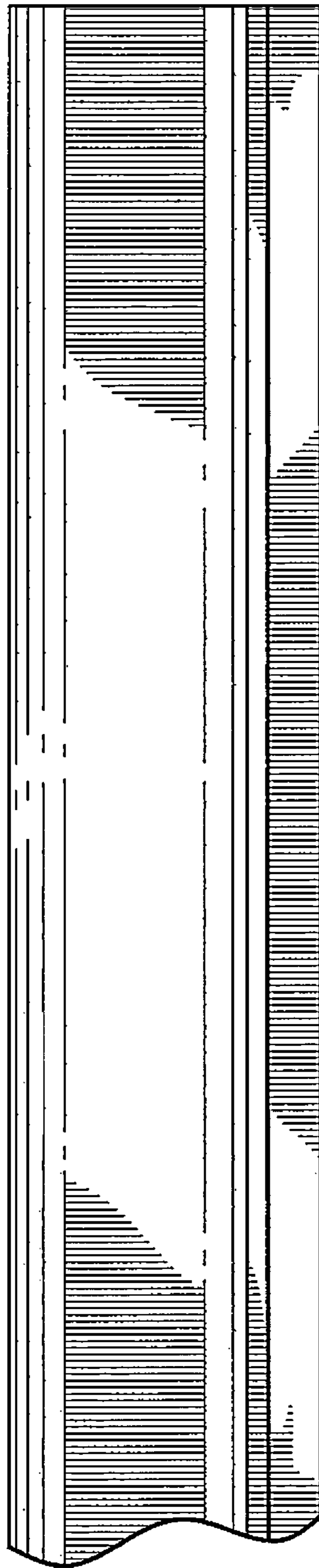


FIG. 7