



US00D701820S

(12) **United States Design Patent**
Pierce et al.

(10) **Patent No.:** **US D701,820 S**

(45) **Date of Patent:** **** Apr. 1, 2014**

(54) **COMBINATION COLLAPSIBLE TOP AND WINDSHIELD FOR A BOAT CONSOLE**

(76) Inventors: **Kenneth M. Pierce**, Brandon, FL (US);
Mark E. Levey, Brandon, FL (US)

(**) Term: **14 Years**

(21) Appl. No.: **29/404,969**

(22) Filed: **Oct. 27, 2011**

(51) **LOC (10) Cl.** **12-06**

(52) **U.S. Cl.**

USPC **D12/317**

(58) **Field of Classification Search**

USPC D12/192, 300, 304, 310, 315, 317, 318;
114/242, 249, 253, 343, 353, 354, 361,
114/364

See application file for complete search history.

(56) **References Cited**

U.S. PATENT DOCUMENTS

D302,807 S *	8/1989	Allbritton	D12/317
5,143,013 A *	9/1992	Huebner	114/343
7,438,014 B2 *	10/2008	Kim	114/345
D606,481 S *	12/2009	Stepp	D12/317
7,921,796 B1 *	4/2011	Perry, Jr.	114/361
8,025,194 B2 *	9/2011	Jesewitz	224/406
D649,505 S *	11/2011	O'Dell	D12/317
8,297,484 B2 *	10/2012	Jesewitz et al.	224/406

* cited by examiner

Primary Examiner — Cynthia M Chin

(74) *Attorney, Agent, or Firm* — Allen, Dyer, Doppelt, Milbrath & Gilchrist, P.A.

(57) **CLAIM**

The ornamental design for a combination collapsible top and windshield for a boat console, as shown and described.

DESCRIPTION

FIG. 1 is a perspective rear and right side view of a boat console combination top and windshield showing our new design;

FIG. 2 is a top view of the boat console combination top and windshield of FIG. 1;

FIG. 3 is a right side view of the boat console combination top and windshield of FIG. 1;

FIG. 4 is a left side view of the boat console combination top and windshield of FIG. 1;

FIG. 5 is a front view of the boat console combination top and windshield of FIG. 1;

FIG. 6 is a rear view of the boat console combination top and windshield of FIG. 1;

FIG. 7 is a perspective view of the boat console and windshield of FIG. 1 with the top in a collapsed position;

FIG. 8 is a top view of the boat console and windshield of FIG. 7 with the top in a collapsed position;

FIG. 9 is a right side view of the boat console and windshield of FIG. 7 with the top in a collapsed position;

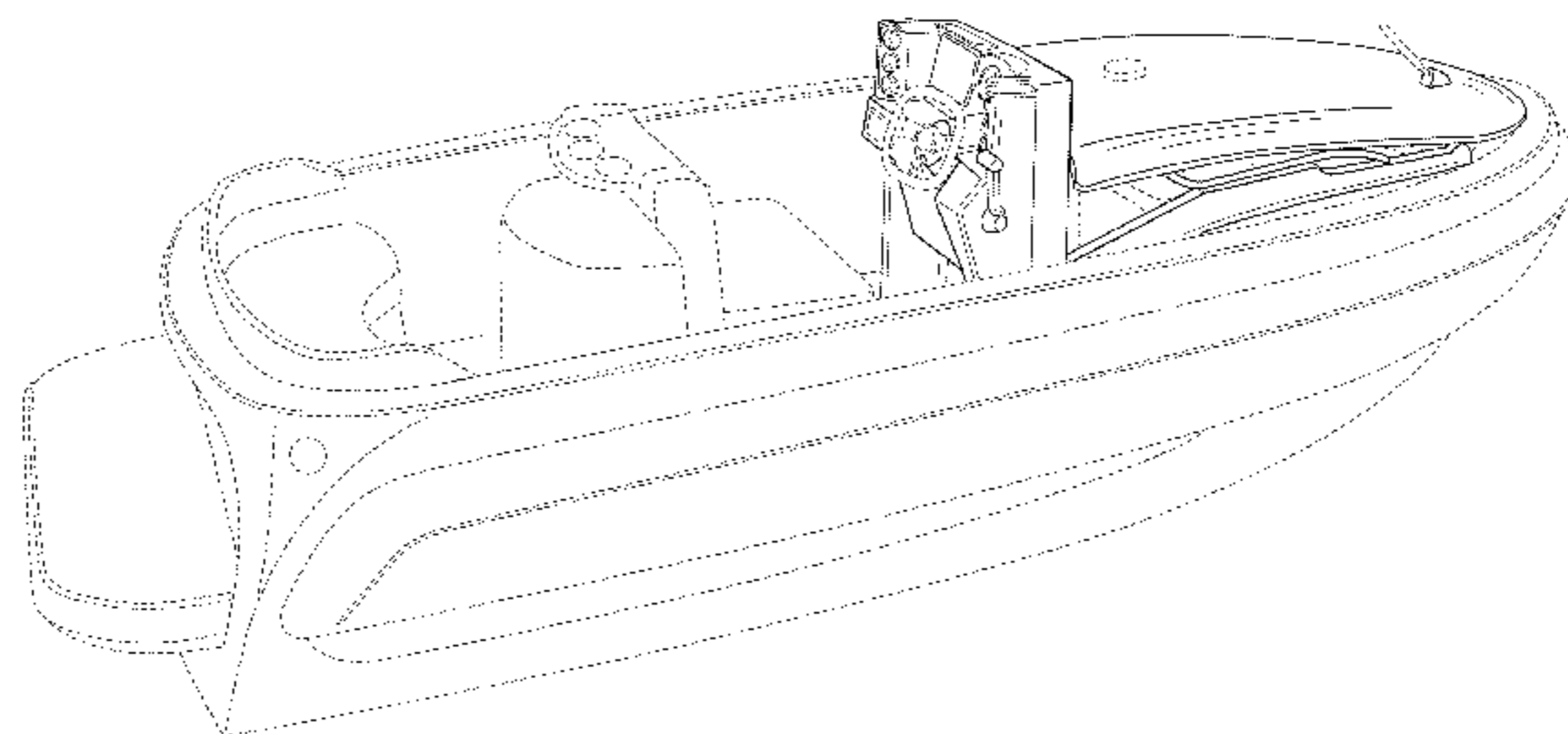
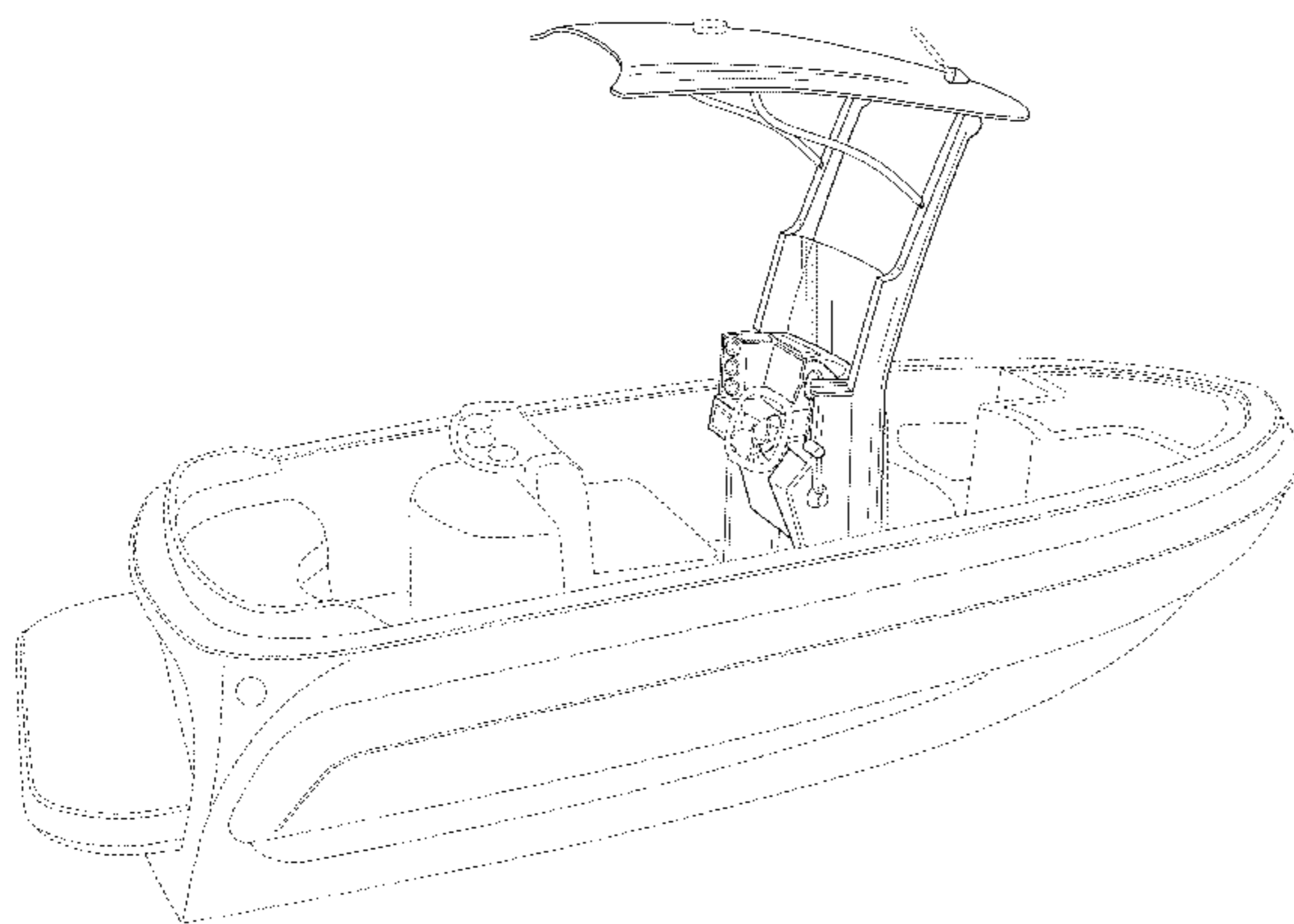
FIG. 10 is a left side view of the boat console and windshield of FIG. 7 with the top in a collapsed position;

FIG. 11 is a front view of the boat console and windshield of FIG. 7 with the top in a collapsed position; and,

FIG. 12 is a rear view of the boat console and windshield of FIG. 7 with the top in a collapsed position.

The subject matter shown in broken lines in the drawings represents unclaimed features.

1 Claim, 11 Drawing Sheets



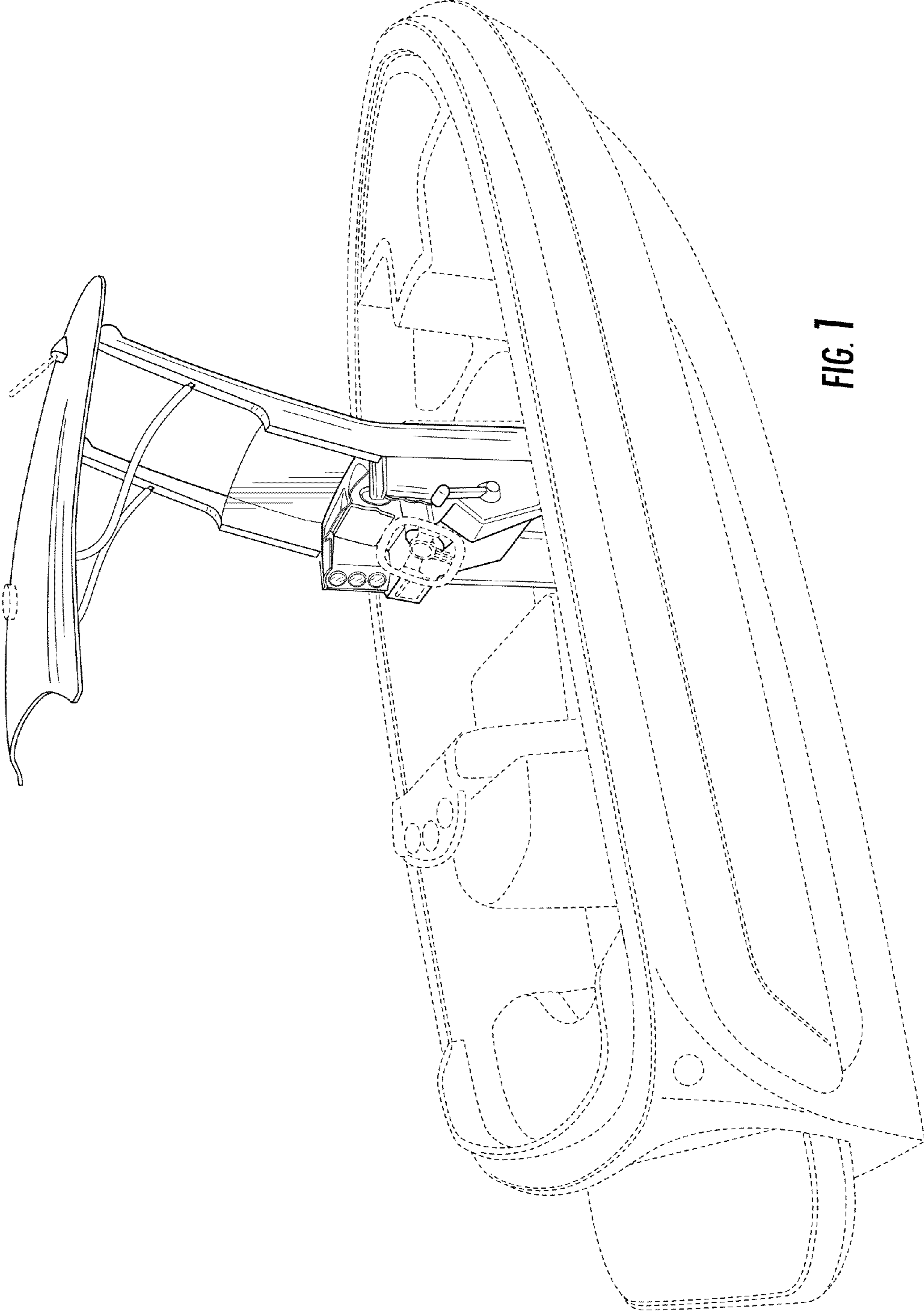


FIG. 1

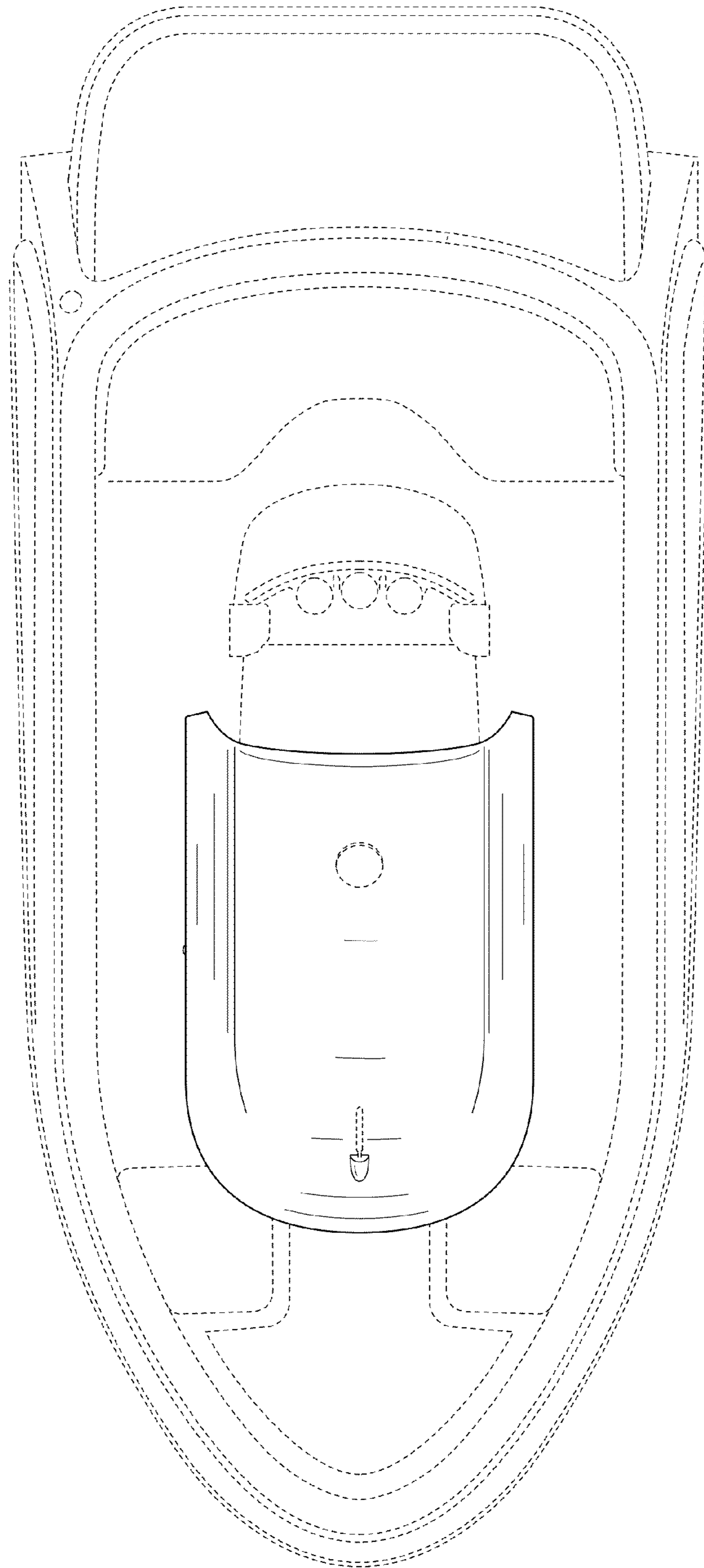


FIG. 2

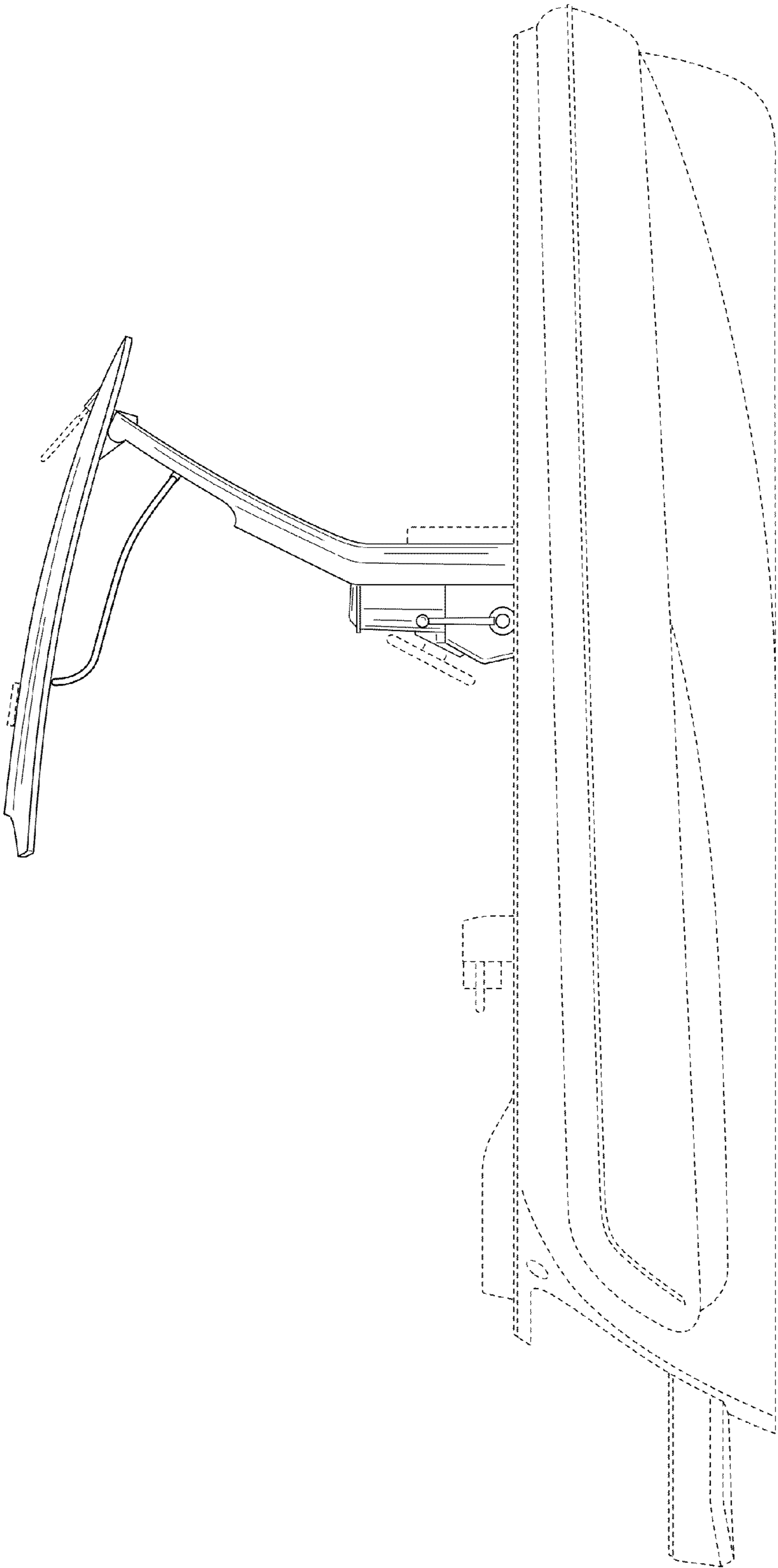


FIG. 3

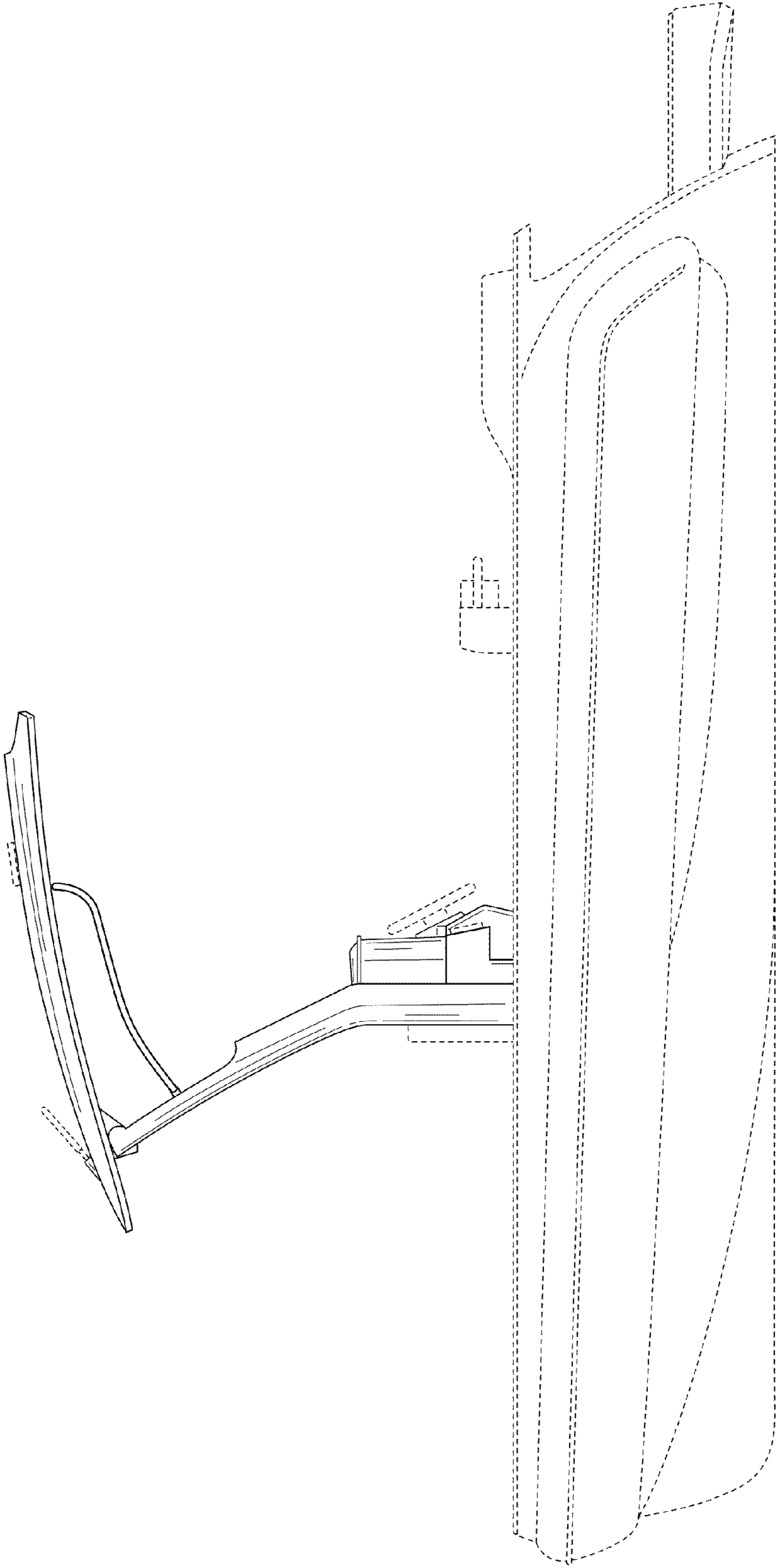


FIG. 4

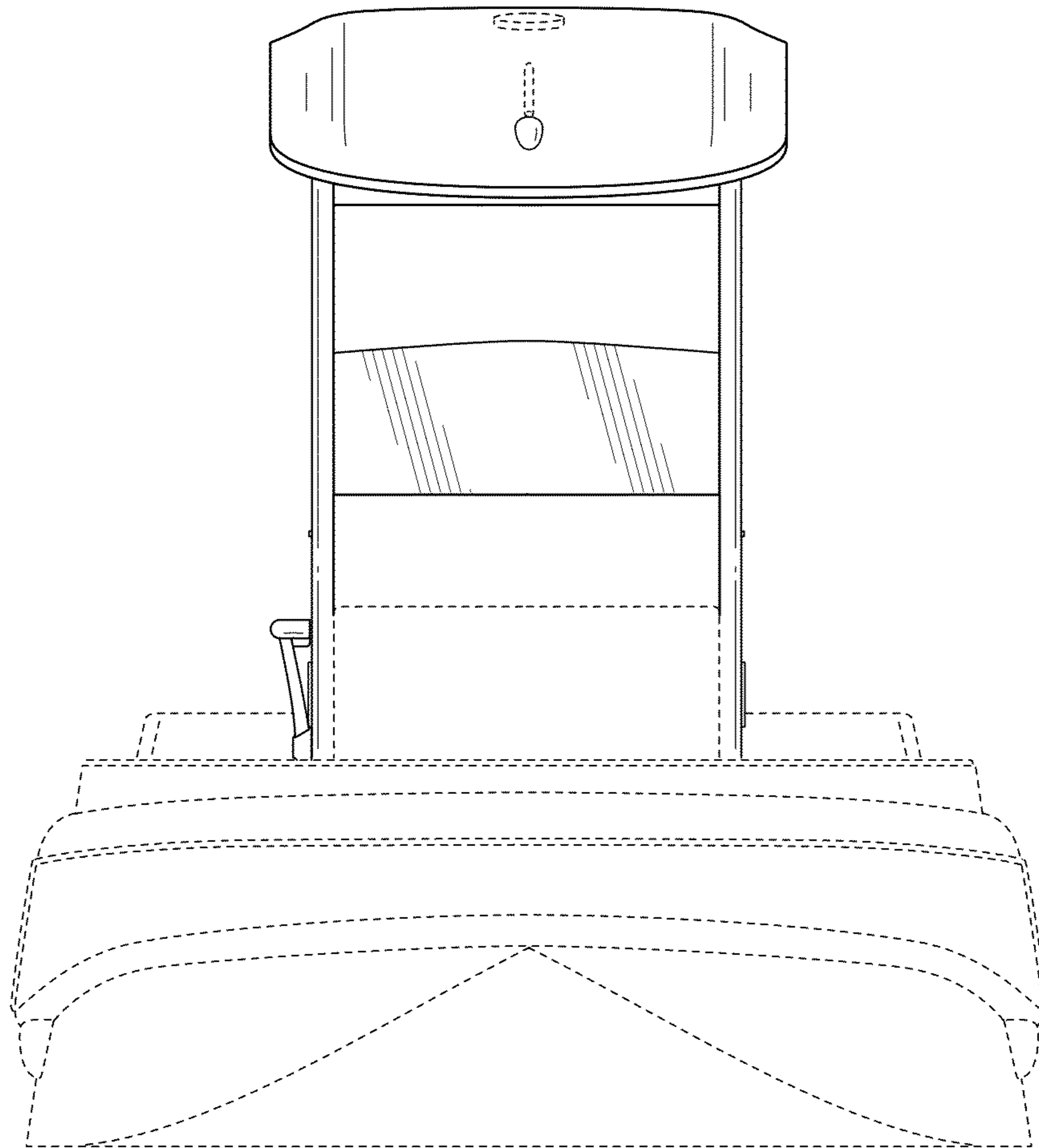


FIG. 5

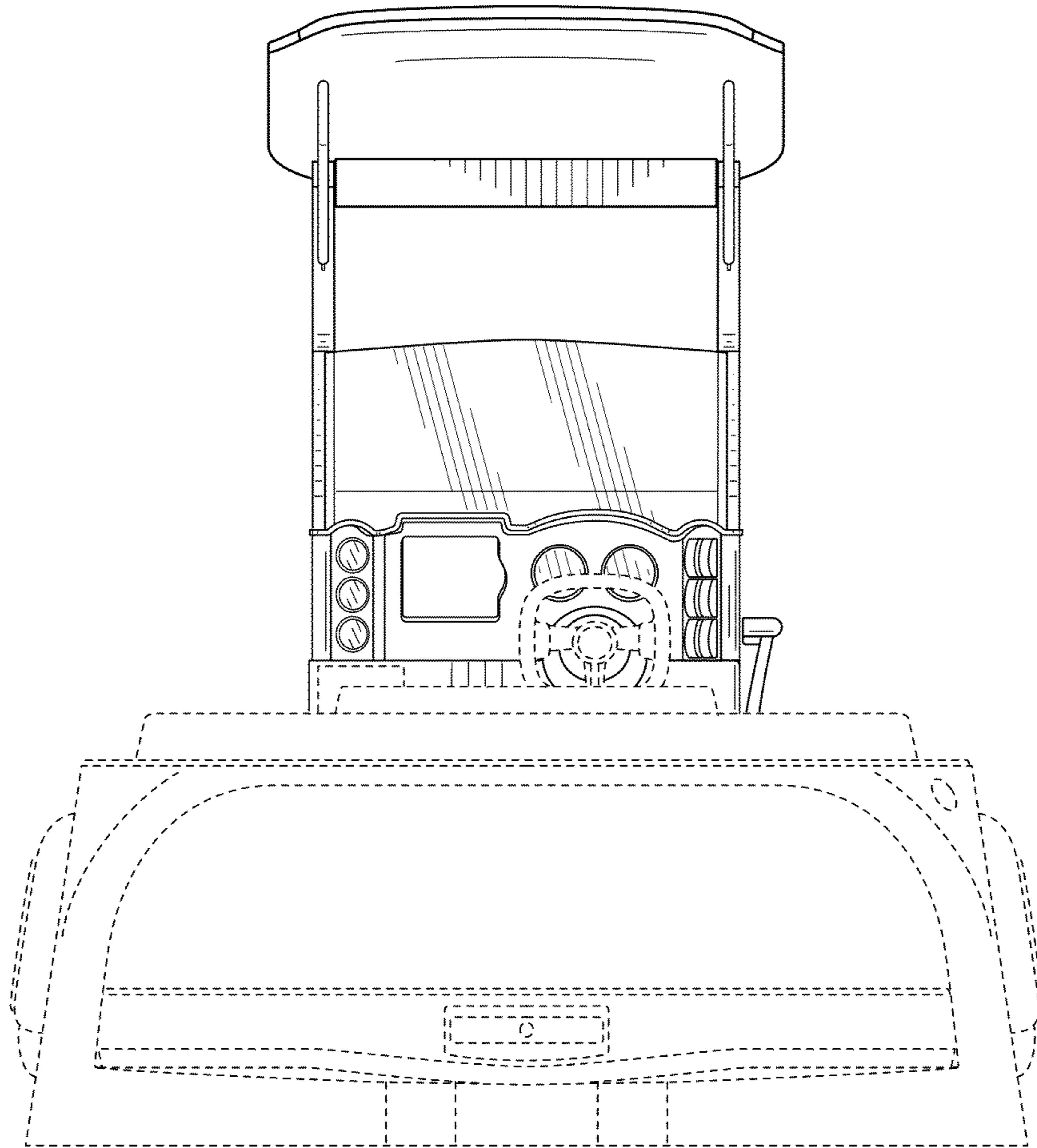


FIG. 6

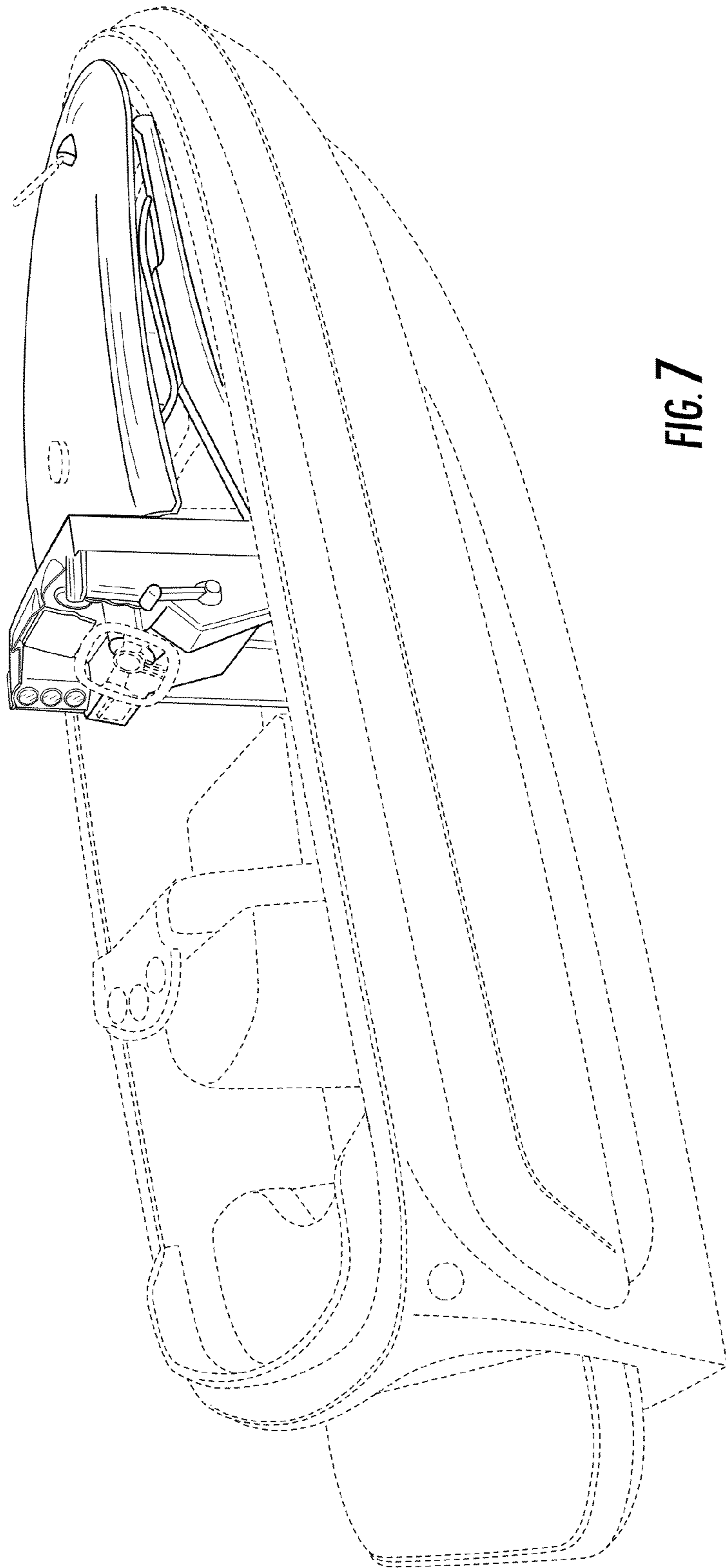


FIG. 7

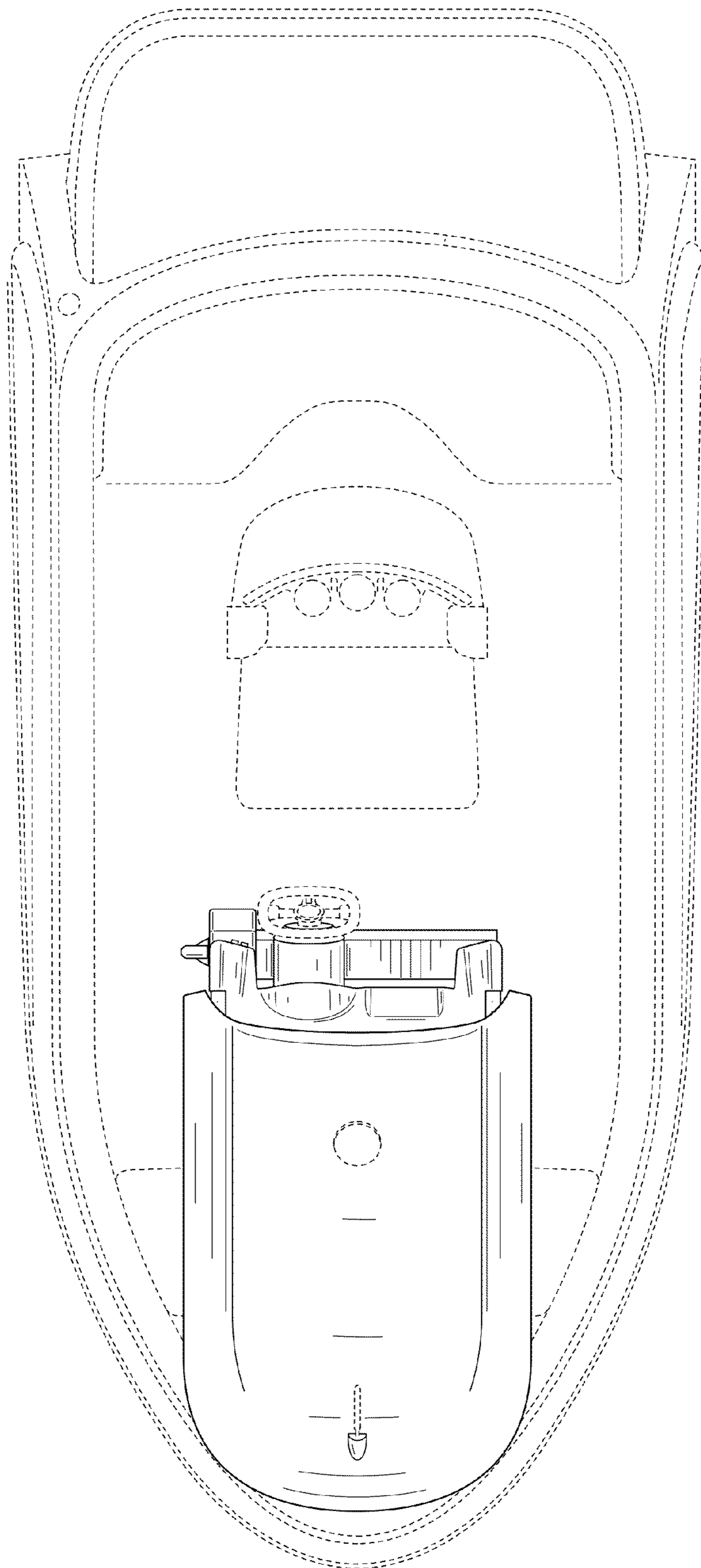


FIG. 8

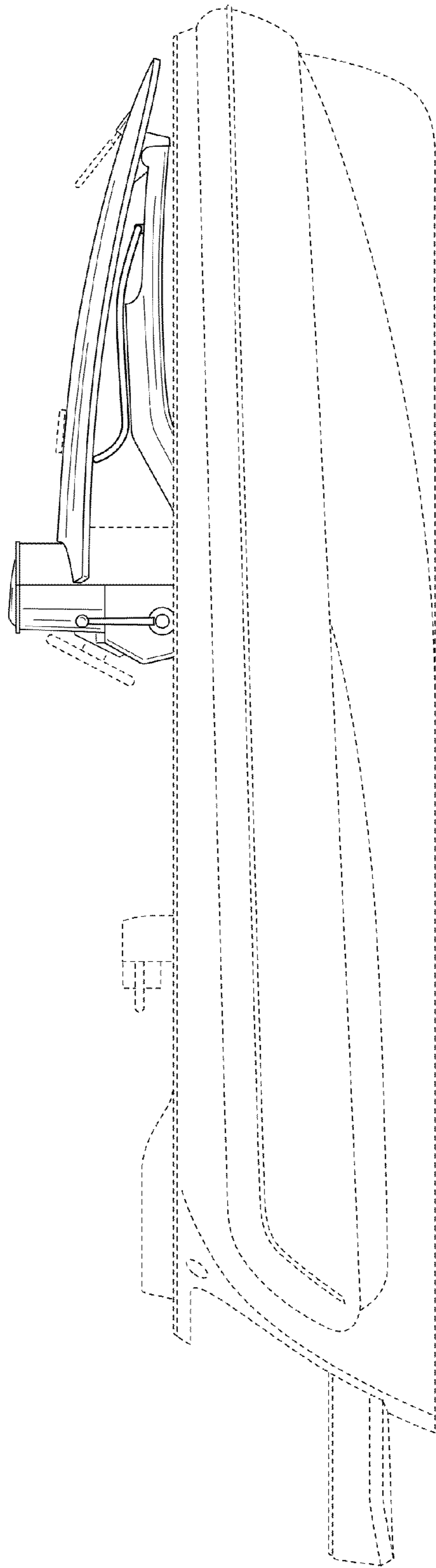


FIG. 9

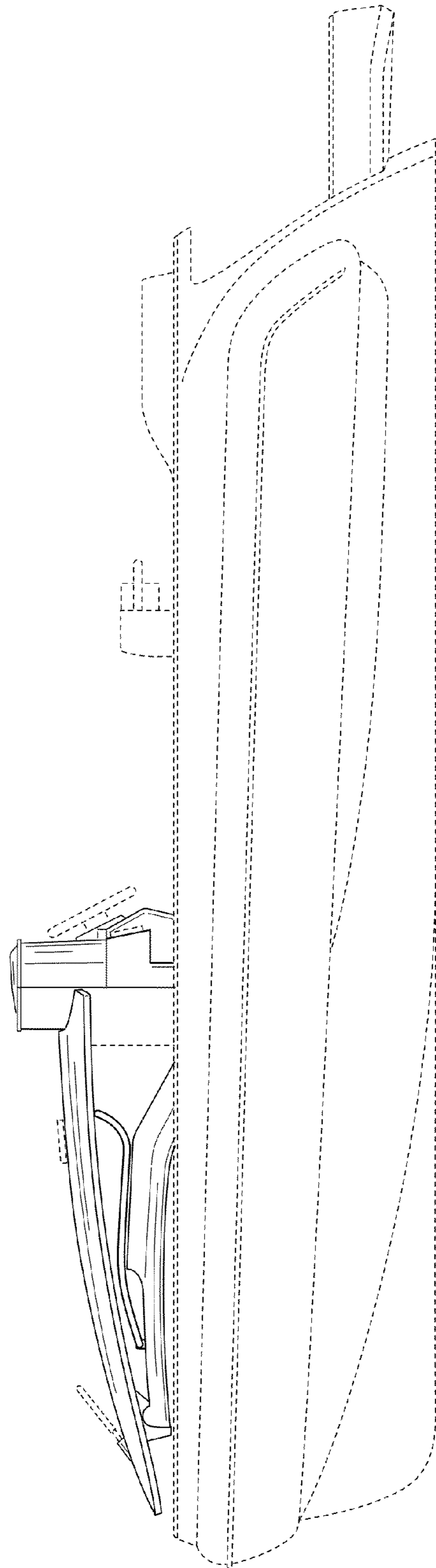


FIG. 10

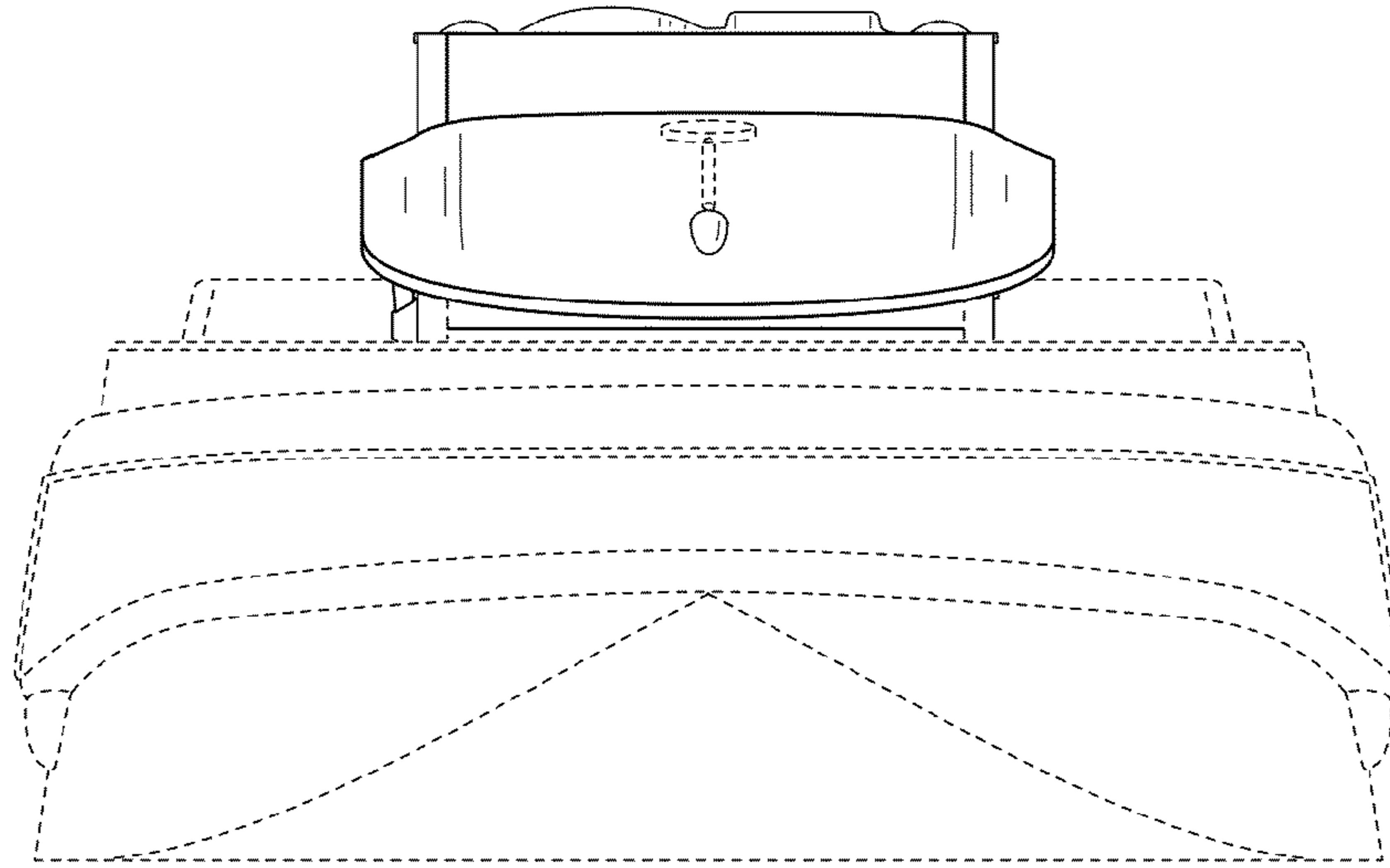


FIG. 11

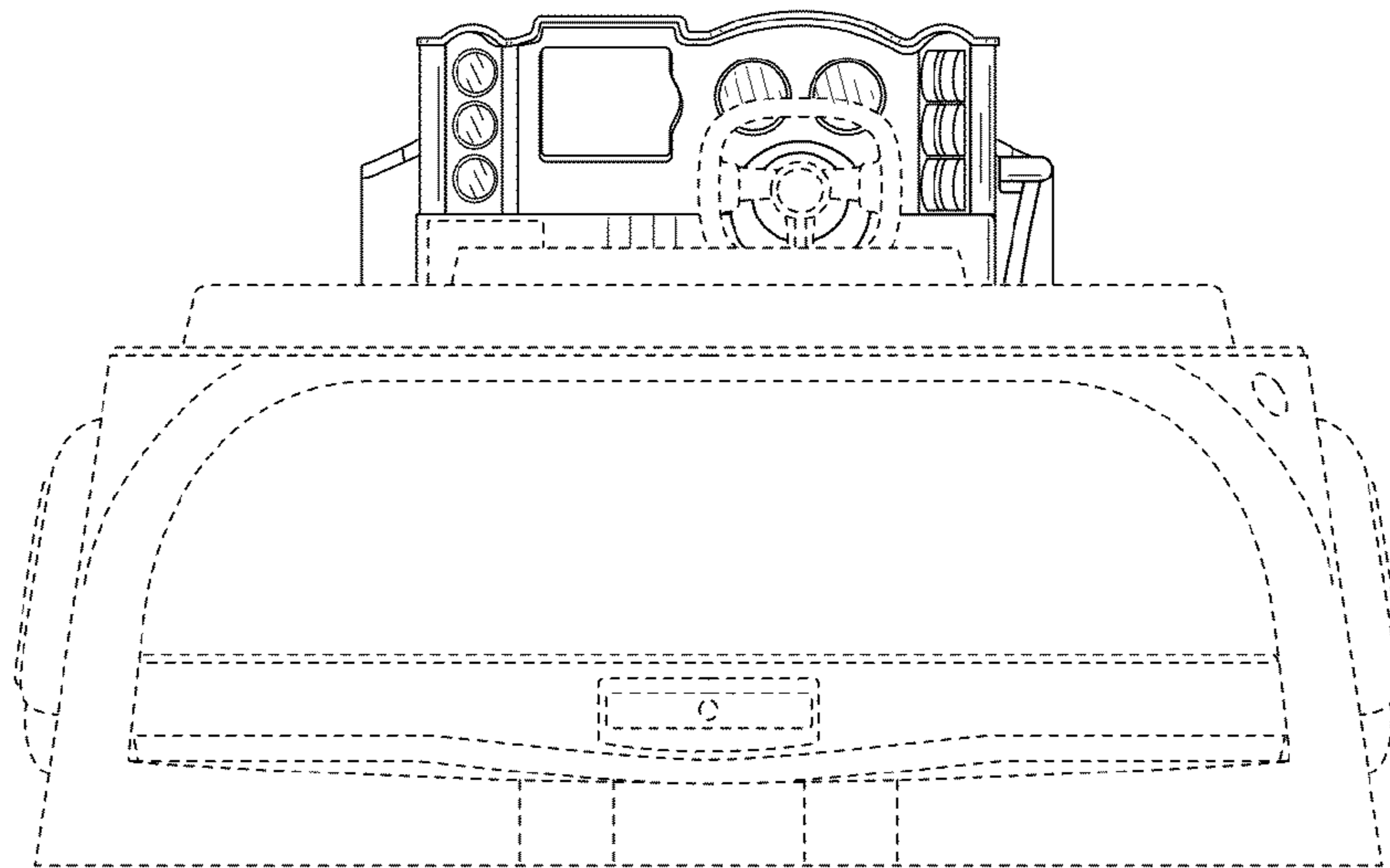


FIG. 12