



US00D701816S

(12) **United States Design Patent**
Noon et al.

(10) **Patent No.:** **US D701,816 S**
(45) **Date of Patent:** **** Apr. 1, 2014**

(54) **SIDE COVER FOR A VEHICLE BED LINER**

(71) Applicant: **GM Global Technology Operations LLC**, Detroit, MI (US)

(72) Inventors: **Matthew J. Noon**, Rochester Hills, MI (US); **Morio Ikeda**, Sao Paulo (BR); **Daniel S. Nozaki**, Sao Paulo (BR)

(73) Assignee: **GM Global Technology Operations LLC**, Detroit, MI (US)

(**) Term: **14 Years**

(21) Appl. No.: **29/441,957**

(22) Filed: **Jan. 11, 2013**

(51) **LOC (10) Cl.** **12-06**

(52) **U.S. Cl.**
USPC **D12/221**

(58) **Field of Classification Search**
USPC D12/221; D9/431-433, 44, 422, 423;
229/126, 154, 103.2, 240, 127, 157
See application file for complete search history.

(56) **References Cited**

U.S. PATENT DOCUMENTS

D391,545 S * 3/1998 Arndt et al. D12/221
D452,472 S * 12/2001 Darbshire D12/221
D458,209 S * 6/2002 Darbshire D12/221

D472,511 S * 4/2003 Lu D12/221
D479,499 S * 9/2003 Cameron et al. D12/221
D481,349 S * 10/2003 Kenngott et al. D12/221
D499,064 S * 11/2004 Hall et al. D12/221
D546,267 S * 7/2007 Burchett et al. D12/221

* cited by examiner

Primary Examiner — Katrina A Betton

(74) *Attorney, Agent, or Firm* — Parks IP Law LLC; Mickki D. Murray, Esq.

(57) **CLAIM**

The ornamental design for a side cover for a vehicle bed liner, as shown and described.

DESCRIPTION

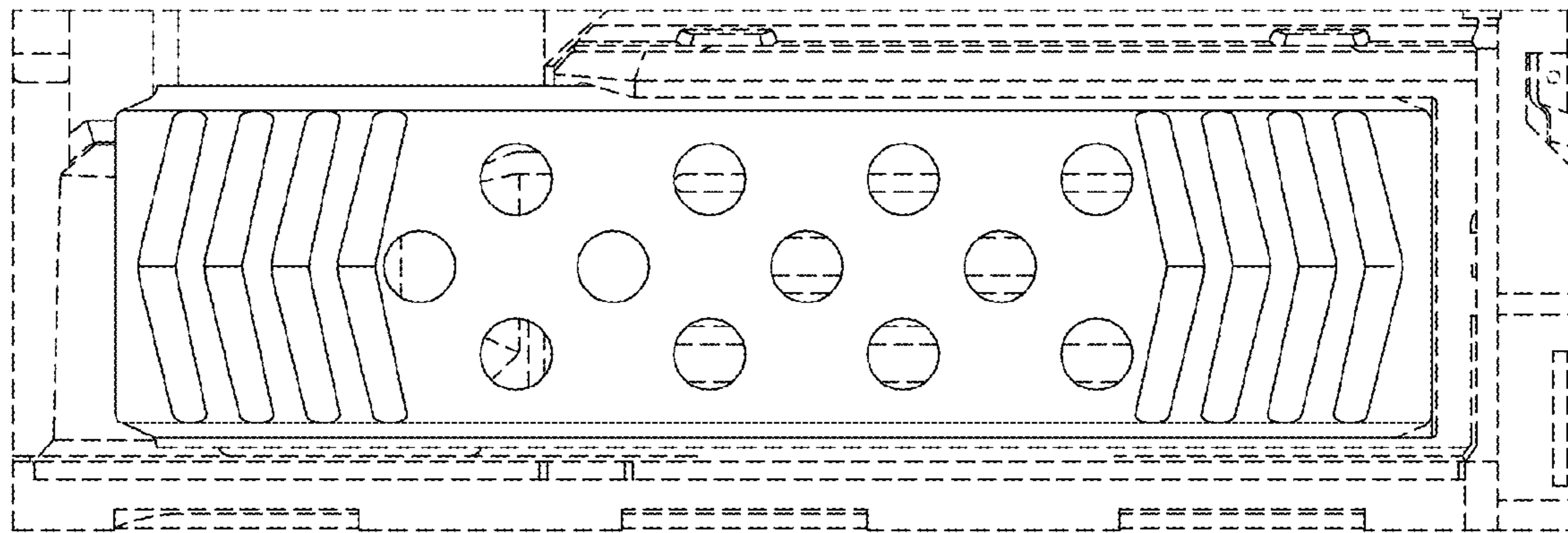
FIG. 1 is a perspective view of the side cover for vehicle bed liner, showing the new design, in position on an example bed liner; and,

FIG. 2 is a front view of the side cover for a vehicle bed liner, thereof.

The vehicle bed liner, shown by broken lines in the figures, is illustrated to show the nature and environmental use of the design and is not part of the claimed design.

A back surface of the cover, which is not illustrated in the figures, and which would be opposite the front surface shown in FIGS. 1 and 2, is hereby disclaimed as not forming part of the claimed design.

1 Claim, 1 Drawing Sheet



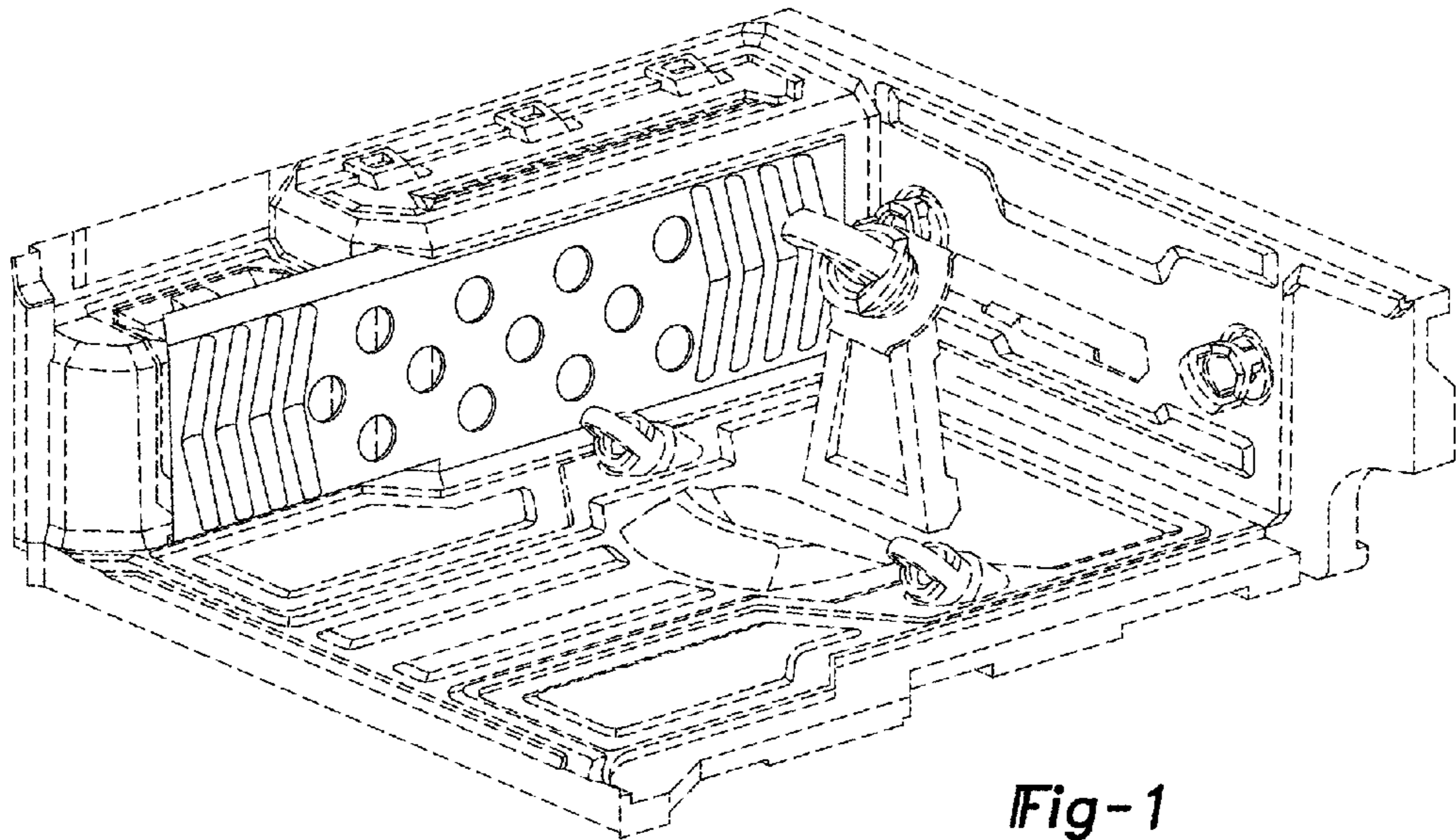


Fig-1

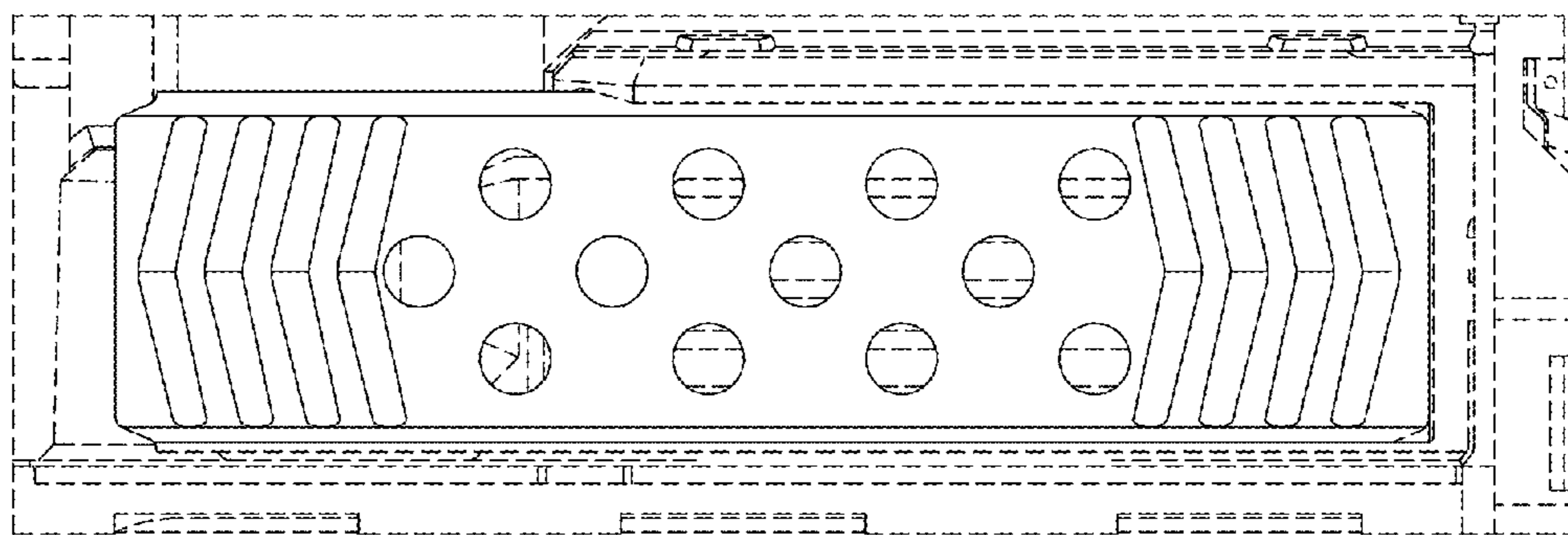


Fig-2