



US00D701815S

(12) **United States Design Patent**  
**Miller**

(10) **Patent No.:** **US D701,815 S**

(45) **Date of Patent:** **\*\* Apr. 1, 2014**

(54) **REMOVABLE TRUCK BED FLOOR**

(76) Inventor: **John P. Miller**, Gordonville, PA (US)

(\*\*) Term: **14 Years**

(21) Appl. No.: **29/374,953**

(22) Filed: **Nov. 1, 2011**

(51) **LOC (10) Cl.** ..... **12-06**

(52) **U.S. Cl.**  
USPC ..... **D12/221**

(58) **Field of Classification Search**  
USPC ..... D12/221; D9/431-433, 44, 422, 423;  
229/126, 154, 103.2, 240, 127, 157  
See application file for complete search history.

(56) **References Cited**

**U.S. PATENT DOCUMENTS**

D325,716 S *	4/1992	Larson	.....	D12/221
D377,780 S *	2/1997	MacNeil	.....	D12/221
D385,527 S *	10/1997	Kalis	.....	D12/221
D458,209 S *	6/2002	Darbishire	.....	D12/221
D466,469 S *	12/2002	Nelson, Jr.	.....	D12/221

6,539,630 B1 *	4/2003	Fabick, Jr.	.....	29/897.2
D481,349 S *	10/2003	Kenngott et al.	.....	D12/221
D483,314 S *	12/2003	Graves	.....	D12/221
D486,439 S *	2/2004	Green	.....	D12/221
D644,979 S *	9/2011	Wenrick et al.	.....	D12/221

\* cited by examiner

*Primary Examiner* — Katrina A Betton

(74) *Attorney, Agent, or Firm* — Richard L. Mikesell

(57) **CLAIM**

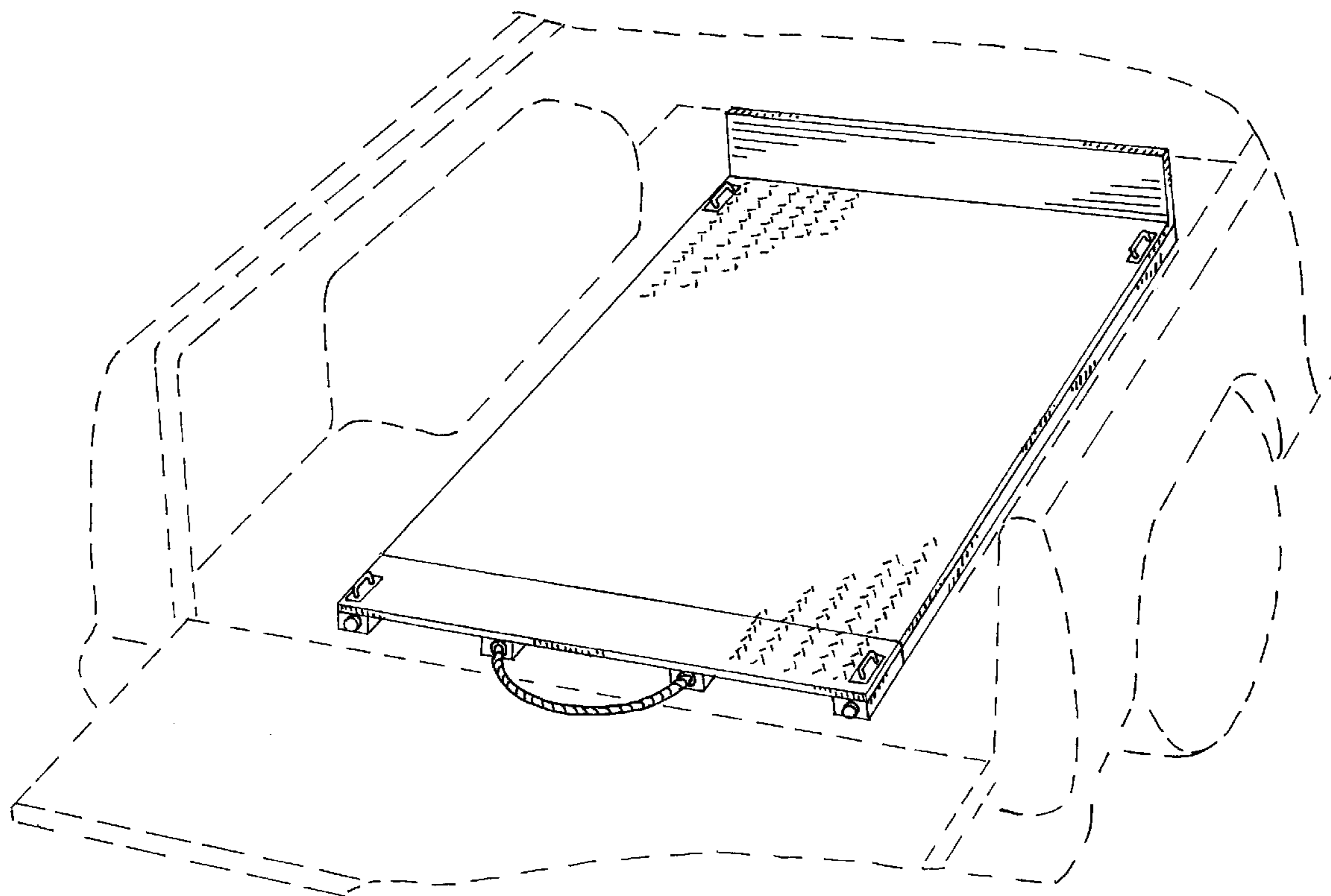
The ornamental design for a removable truck bed floor, as shown and described.

**DESCRIPTION**

FIG. 1: Top right perspective view;  
FIG. 2: Top plan view;  
FIG. 3: Bottom plan view;  
FIG. 4: Side elevation (the other side is a mirror image);  
FIG. 5: Front elevation; and,  
FIG. 6: Rear elevation.

The phantom portion of truck is not claimed.

**1 Claim, 3 Drawing Sheets**



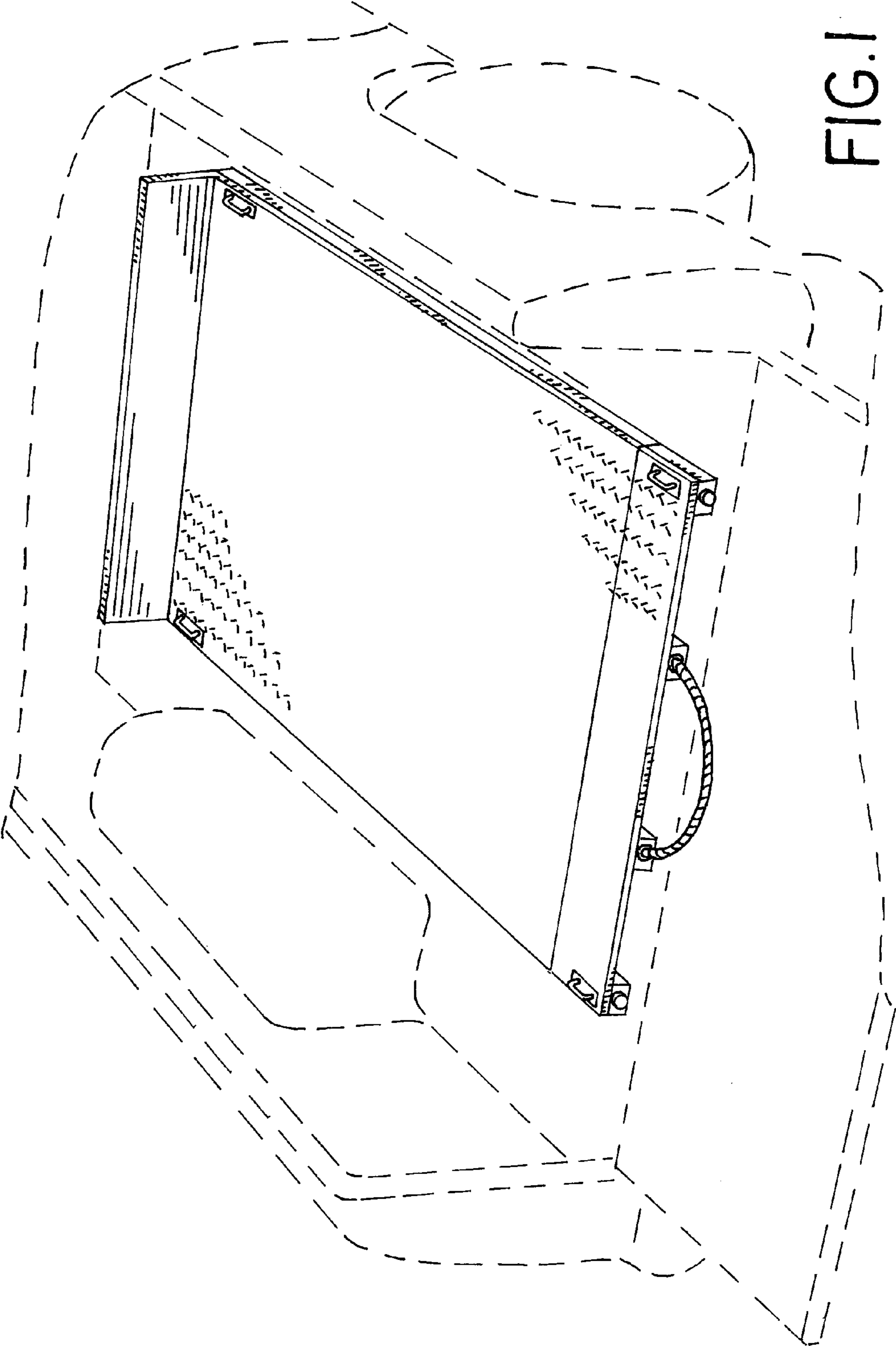


FIG. 1

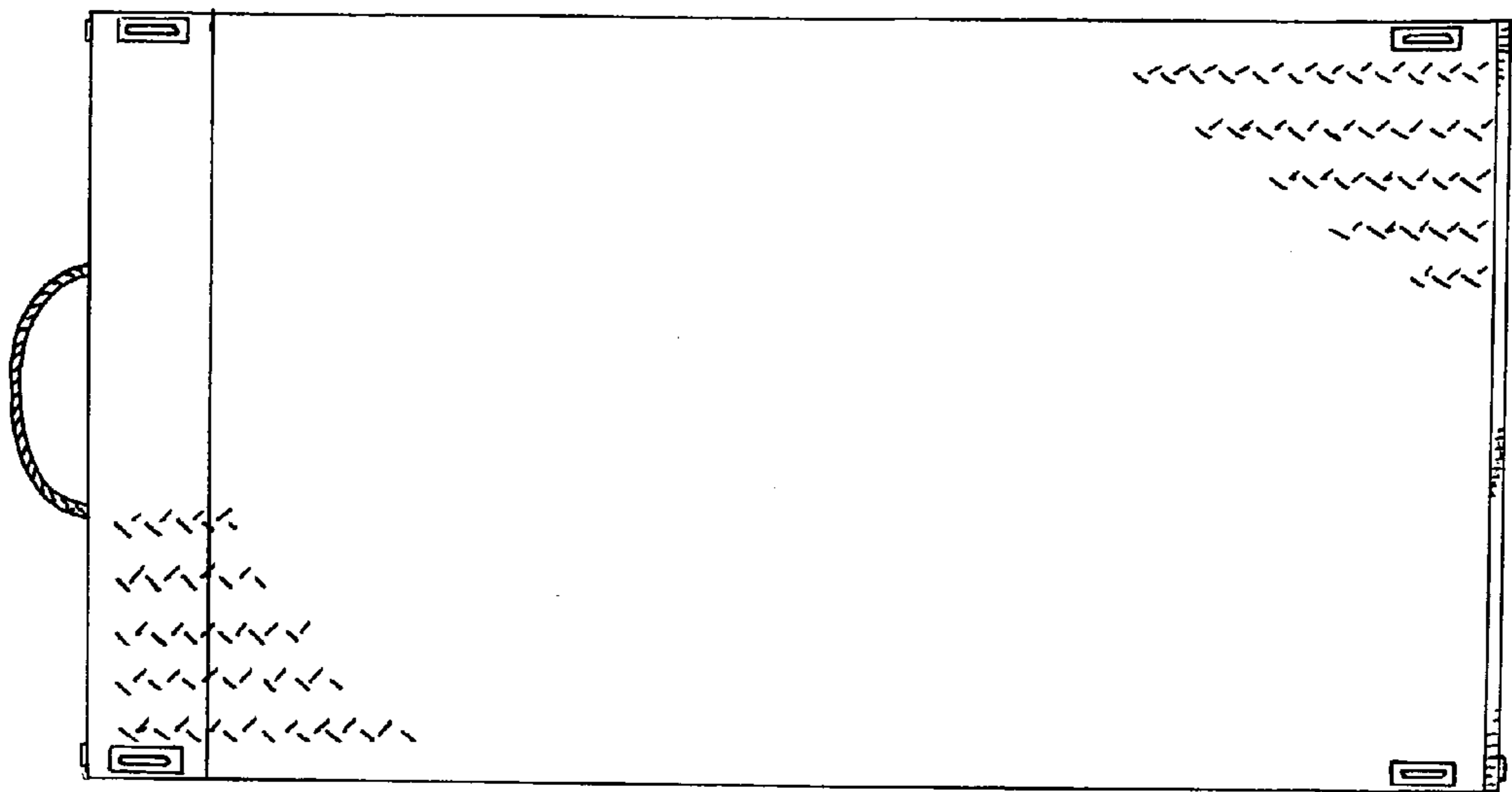


FIG. 2

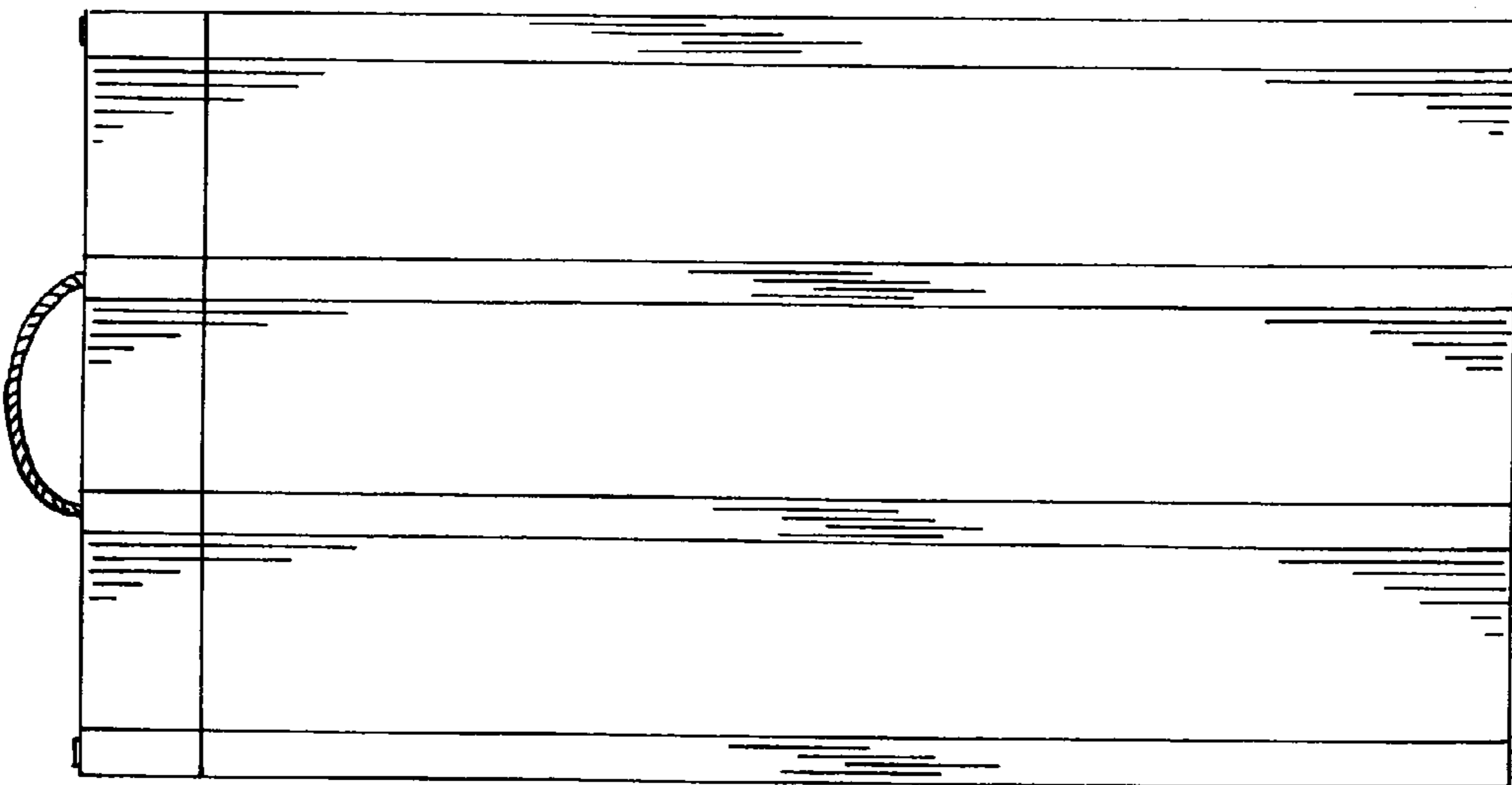


FIG. 3

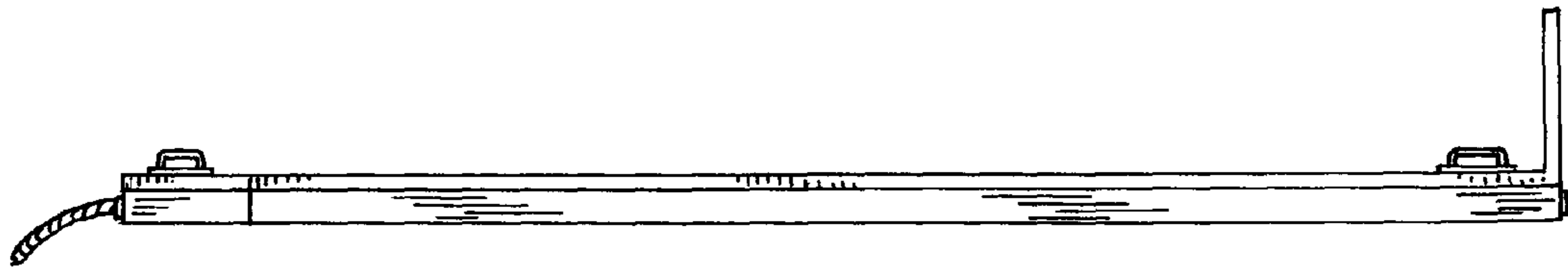


FIG. 4

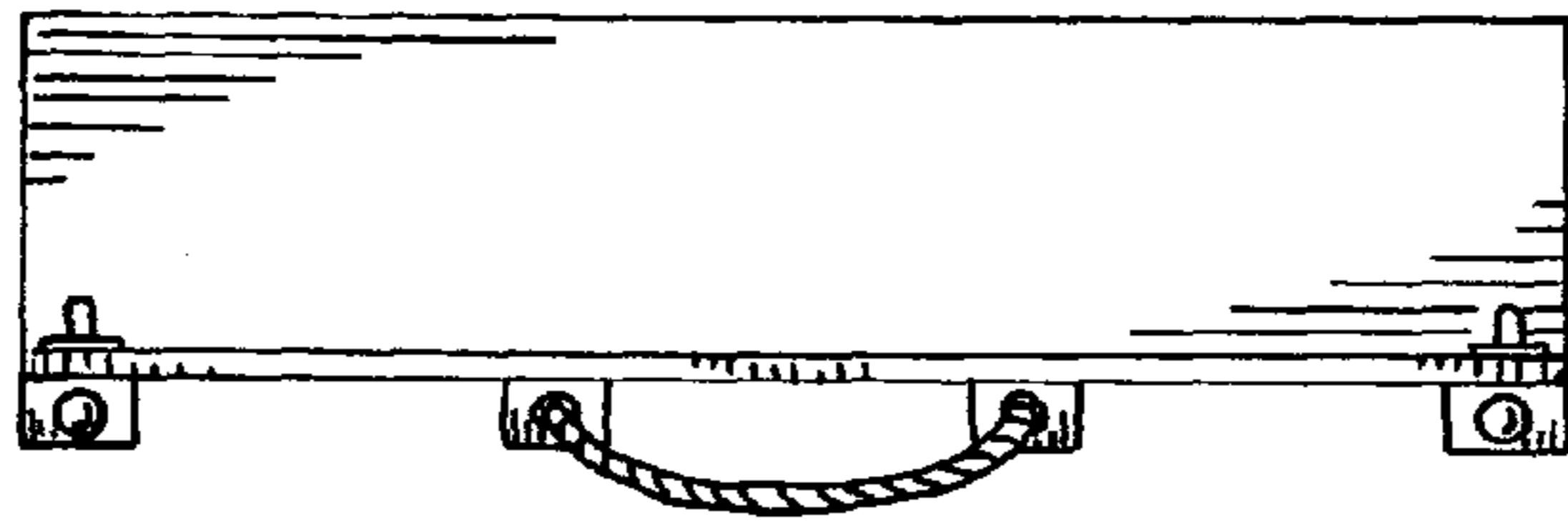


FIG. 5

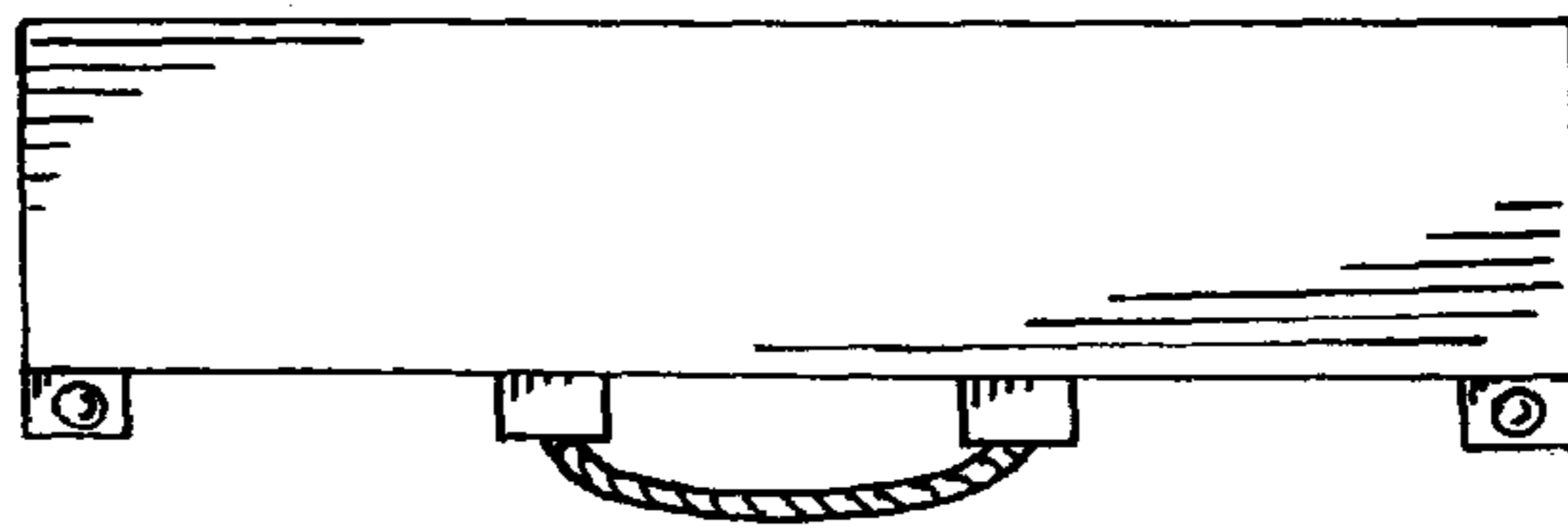


FIG. 6